

**SWINGHANDLE**

**208**

ALL IN METAL



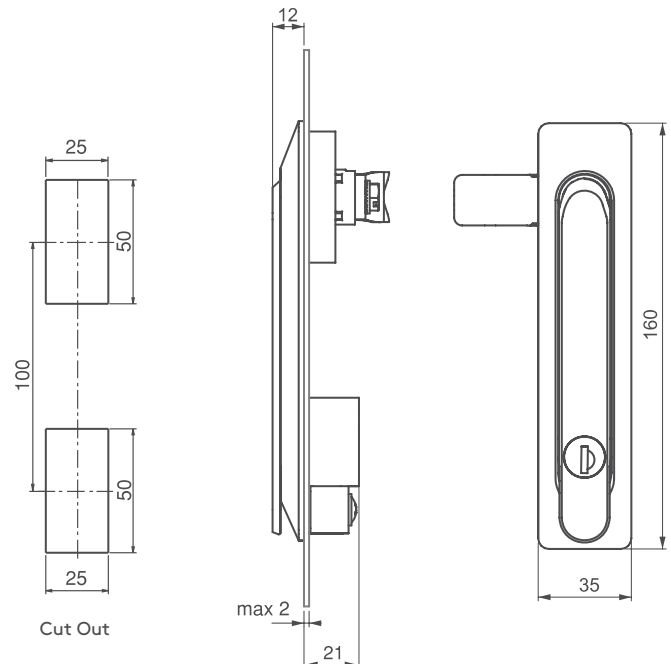
IP 65



LH/RH



RoHS



- All metal construction
- Stronger and better looking than polyamide
- Handle is not spring loaded and slam action
- Key can be removed at unlocked position

**APPLICATIONS**

Electric panels, machinery covers, rack cabinets

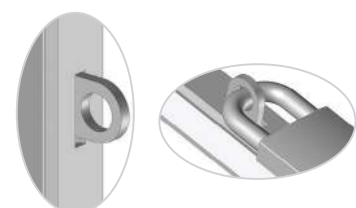
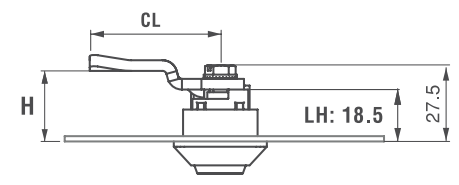
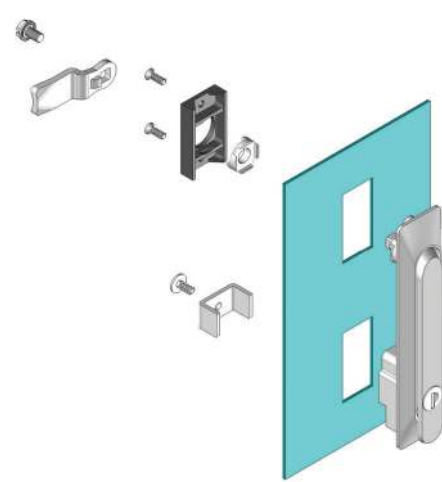
**MATERIAL**

BODY: Zamak DIN-EN 1774-ZnAl4Cu1

HANDLE: Zamak DIN-EN 1774-ZnAl4Cu1

CAM: Steel or PA6 GFR 30

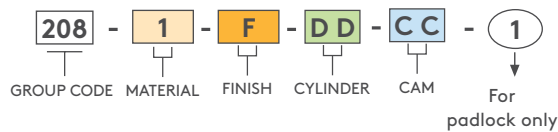
SEAL: Polyurethane



1

Padlock application

**PRODUCT CODE**



MATERIAL	M
Zamak	1

FINISH	F
Chrome	1
Black coated	2

CYLINDER	SPECIFICATIONS	DD
	Stainless steel dust cap (Keyed alike)	03
	Stainless steel dust cap (Keyed differ)	32
	Master system	04
	Euro key (5333)	05
	CH751 (Stainless steel dust cap)	07

For cams please check pages: 144 - 145

For rods please check pages: 150- 161