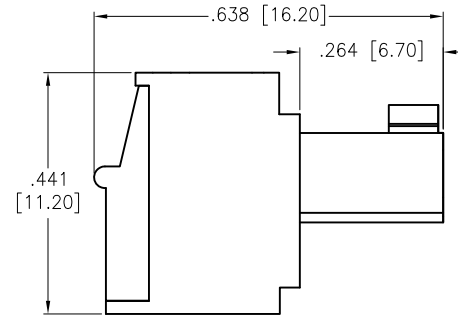
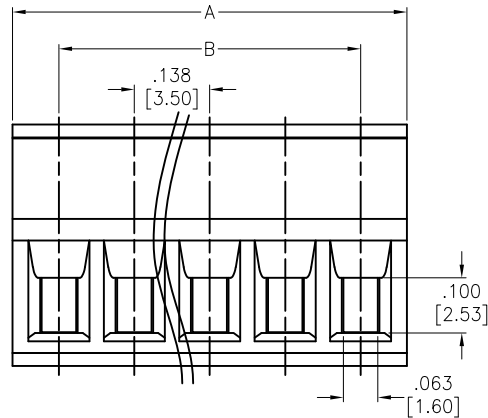
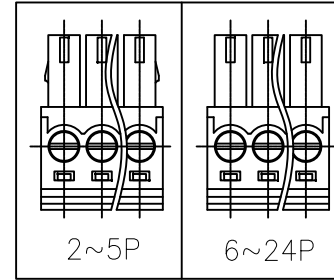
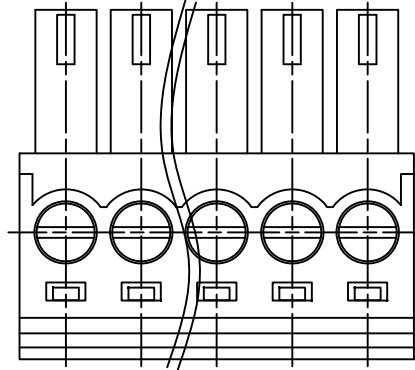


APPROVED: \_\_\_\_\_  
 DATE: \_\_\_\_\_ TITLE: \_\_\_\_\_

Rev	AWO #	Description	Date	Appr
-		RELEASED	6/13/14	
A		UPDATE SPEC.	8/27/15	AY
B		UPDATE DRAWING	4/11/17	AY
C		UPDATE DRAWING	12/8/20	LH/EY



SECTION A-A

**SPECIFICATIONS:**

Material:  
 Insulator: PA66, rated UL 94V-0  
 Insulator color: Green  
 Contact: Copper Alloy ,Nickel Plated  
 Screw: M2

Electrical:  
 Voltage rating: 300V  
 Current rating: 8 Amp  
 Dielectric withstanding voltage: 1,600 VAC for 1 minute

Mechanical:  
 Wire range: 16-28 AWG  
 Torque: 0.2Nm  
 Strip length: 6-7mm  
 Temperature Rating:

Operating temperature: -40°C to +105°C

Environmental:  
 Lead free, RoHS compliant.



Positions: 2 thru 24  
 A = .138 [3.50] x No. of Spaces + .169 [4.30]  
 B = .138 [3.50] x No. of Spaces

UNLESS OTHERWISE SPECIFIED ALL DIMENSIONS ARE INCHES [MM] TOLERANCES: EXCEPT AS NOTED			
INCHES		HOLES	
.X	± .10	Ø.X	± .10
.XX	± .020	Ø.XX	± .015
.XXX	± .015	Ø.XXX	± .010
APPROVALS		DATE	
DRAWN	AY	6/13/14	
CHECKED			
APPROVED			

**ADAM TECH** 909 Rahway Avenue,  
 Union, NJ 07083  
 Phone: 908-687-5000  
 Fax: 908-687-5710

TITLE  
**PLUGGABLE BLOCK, PITCH .138 [3.50]**

SIZE <b>X</b>	PART NO. <b>EBKA-XX-A</b>	REV. <b>C</b>
REF: S00067C	SCALE: NTS	SHEET 1 OF 1