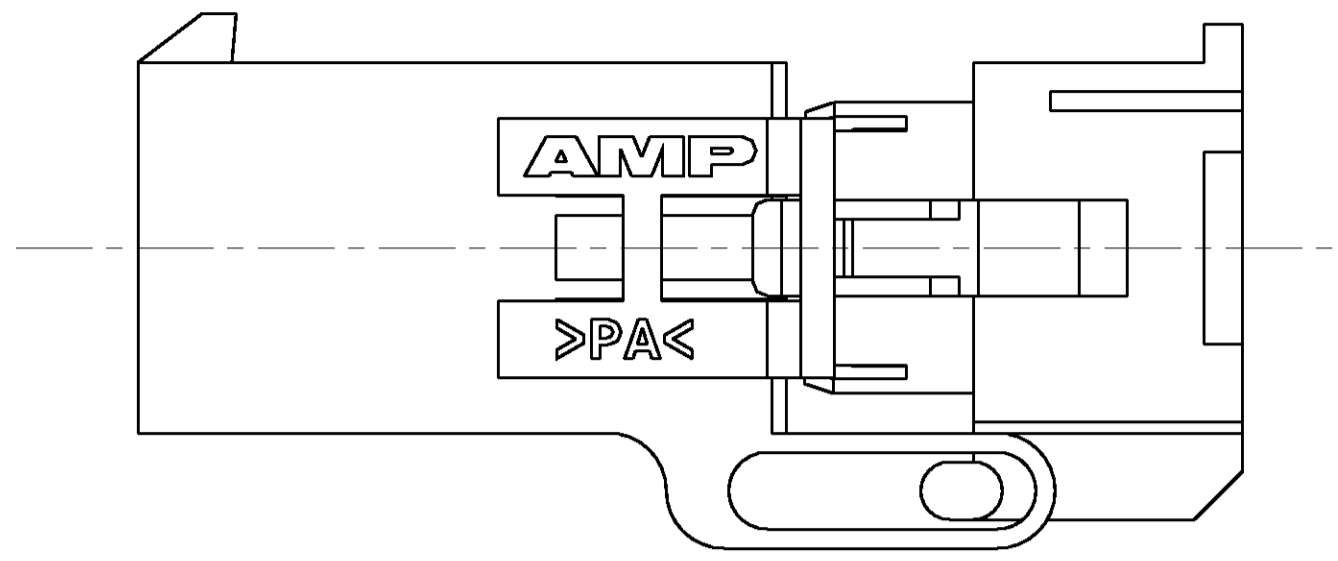
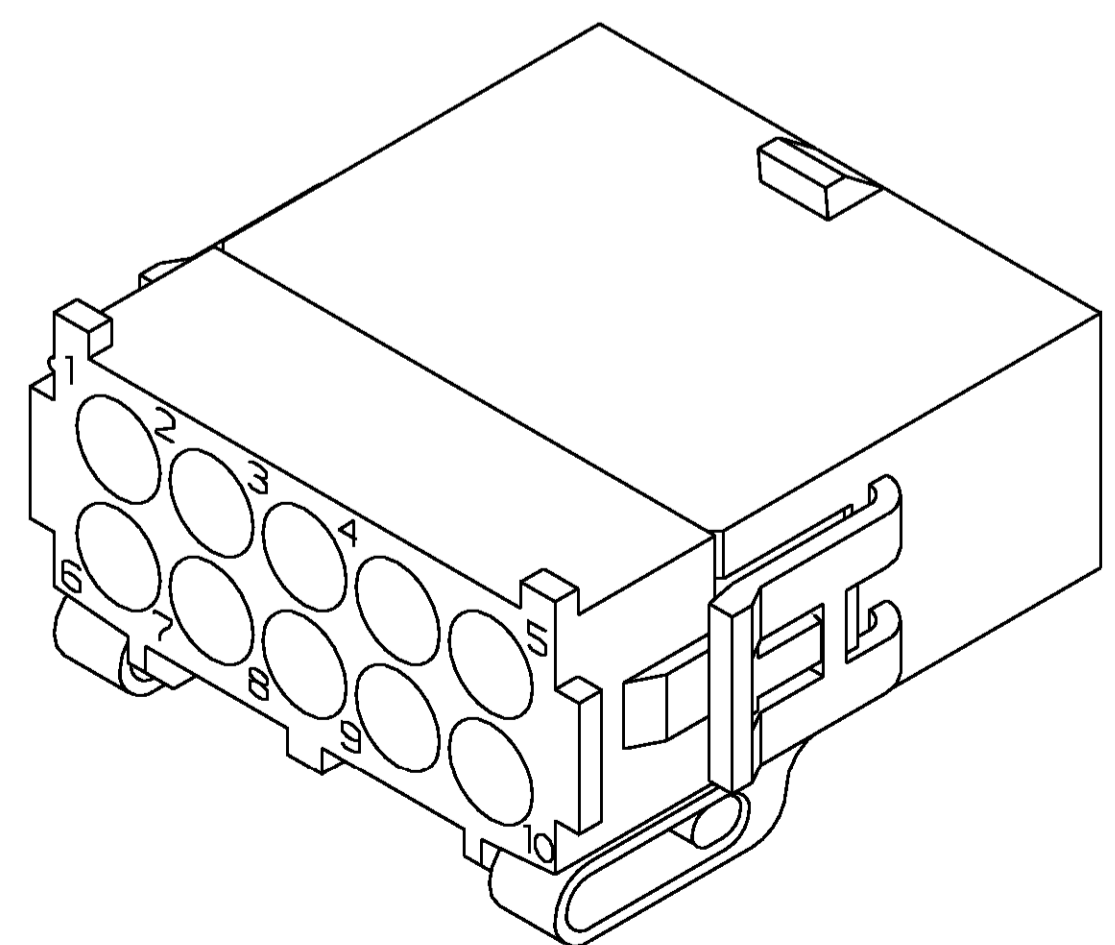
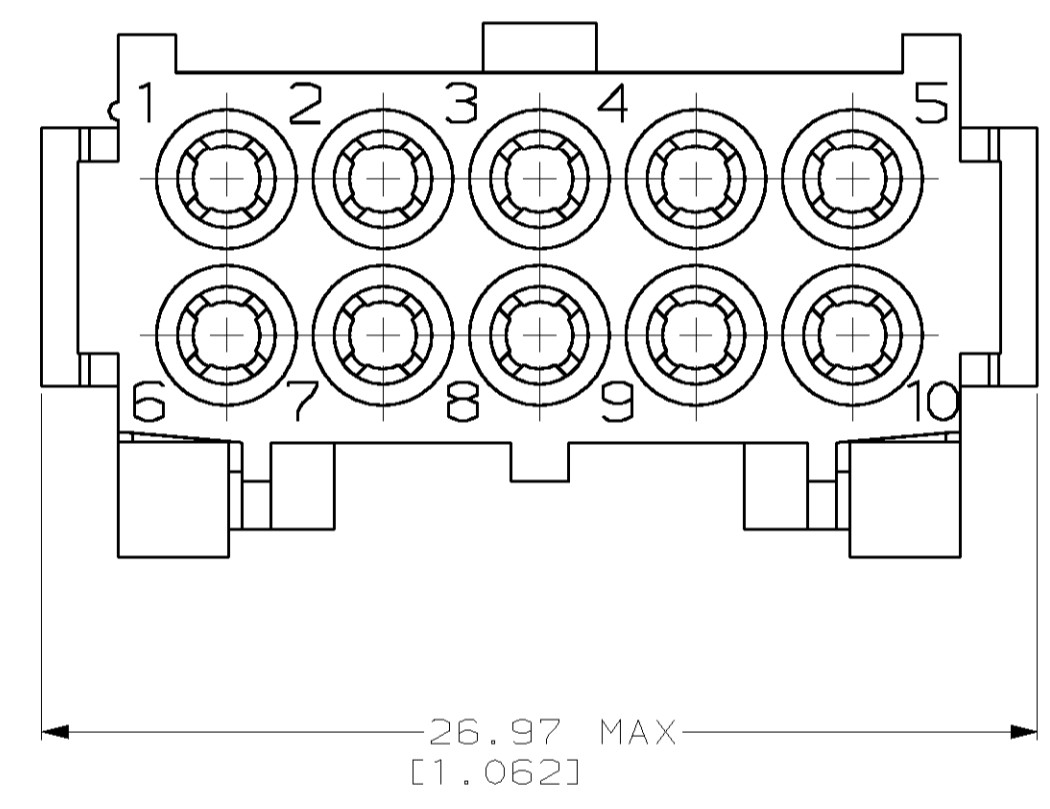
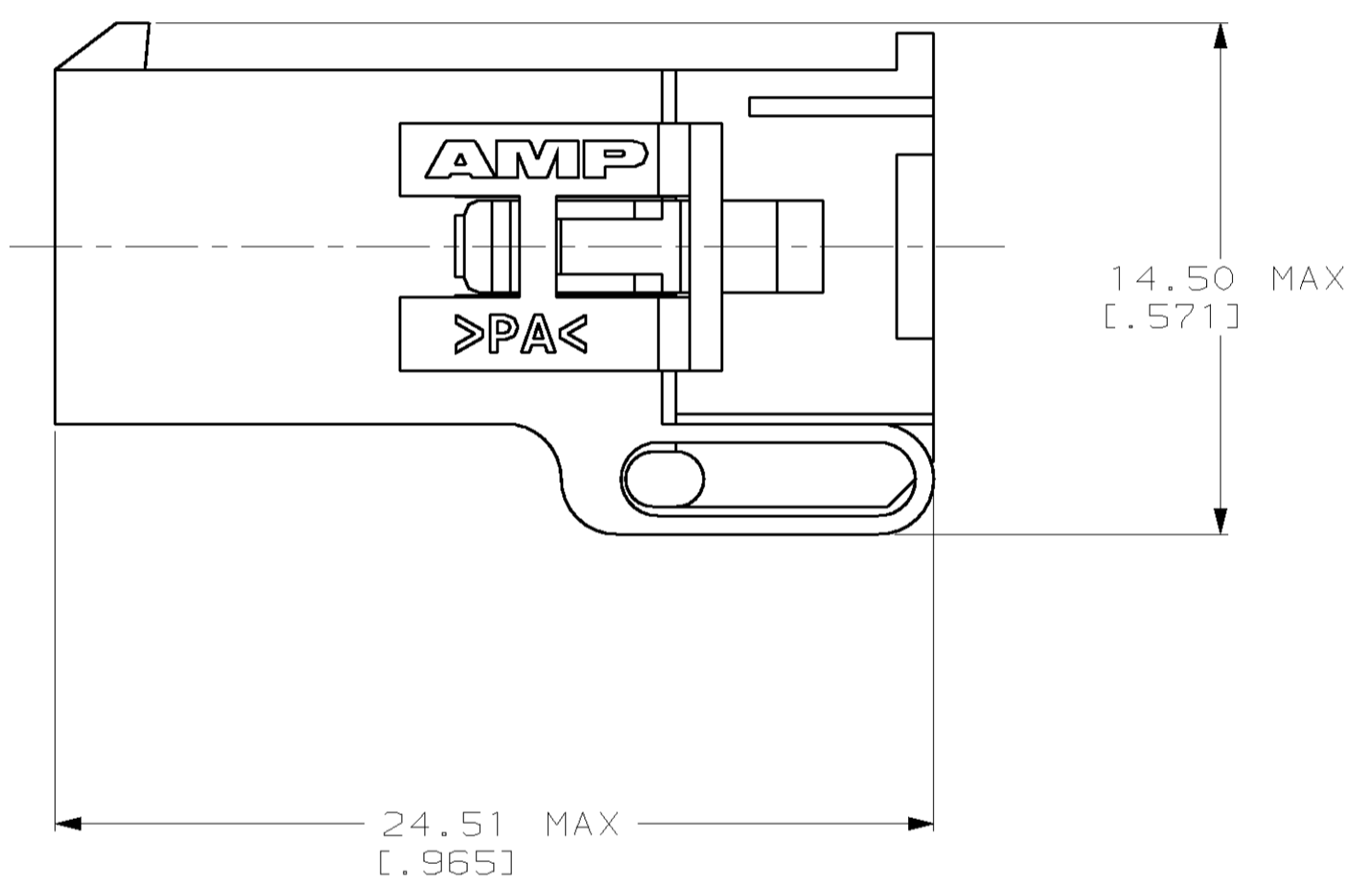
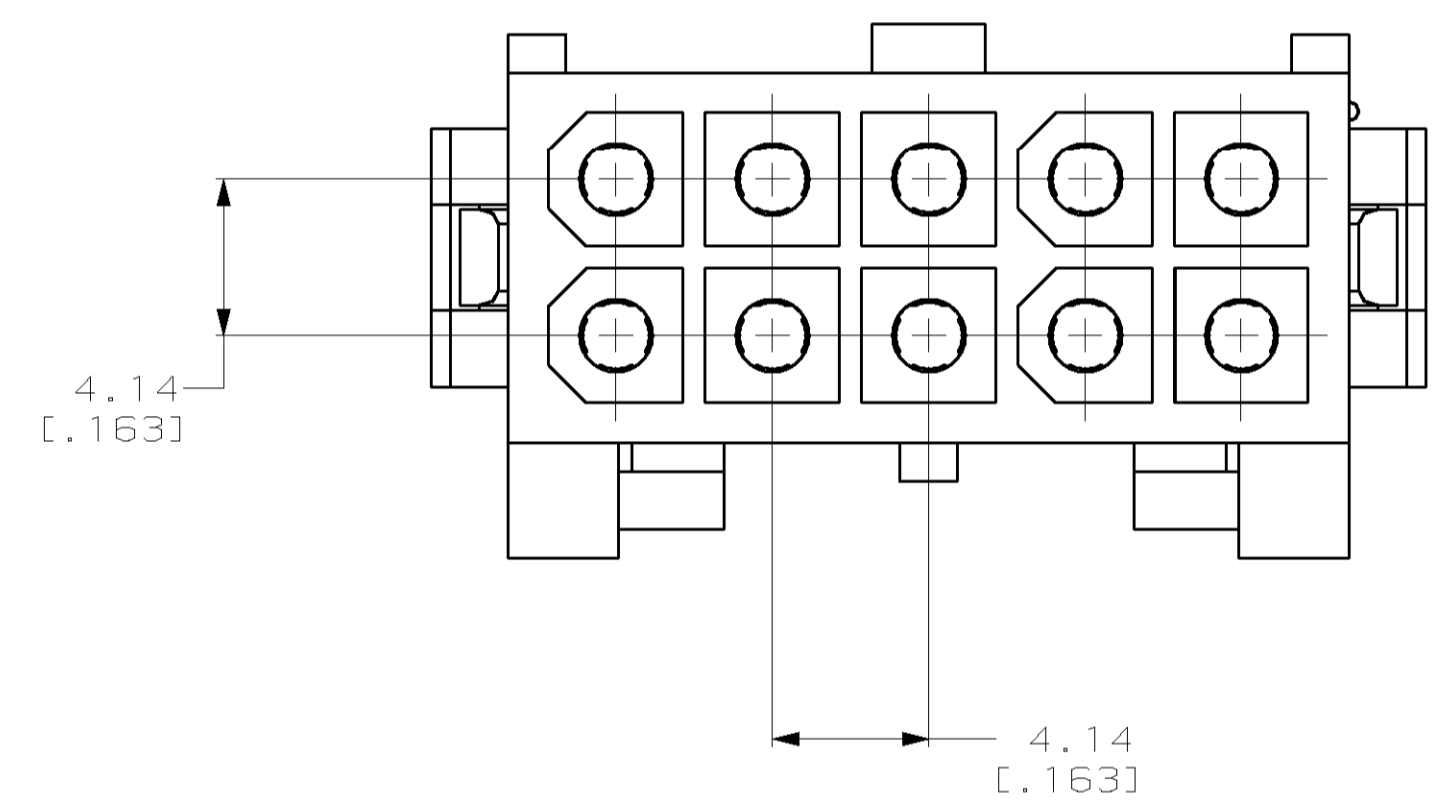


LOC	DIST	REV	PER	EC	DATE	OWN	APVD
CM	53	B	REV PER EC	061B-0094-99	23-SEP-99	KW	KC

1. DIMENSIONS IN BRACKETS ARE IN INCHES.



PRE-STAGED CONDITION



3-DIMENSIONAL MODEL
NTS

794250-1
PART NUMBER

METRIC

THIS DRAWING IS A CONTROLLED DOCUMENT.		DWN K. WHITAKER	5-14-97	AMP AMP Incorporated Harrisburg, PA 17105-3608
		CHK R. SWING	5-14-97	
DIMENSIONS:		APVD S. ORSTAD	5-14-97	NAME CAP, 10 CIRCUIT, MINI UNIVERSAL MATE-N-LOK™ 2
TOLERANCES UNLESS OTHERWISE SPECIFIED:		PRODUCT SPEC		SIZE CAGE CODE DRAWING NO
0 PLC	±	APPLICATION SPEC		RESTRICTED TO
1 PLC	±	MATERIAL NYLON, UL 94V-2,NATURAL		A1 00779 C-794250
2 PLC	±	FINISH -		CUSTOMER DRAWING
3 PLC	±0.13 [0.005]	WEIGHT -		SCALE 5:1 SHEET 1 OF 1 REV B
4 PLC	±			
ANGLES	±			