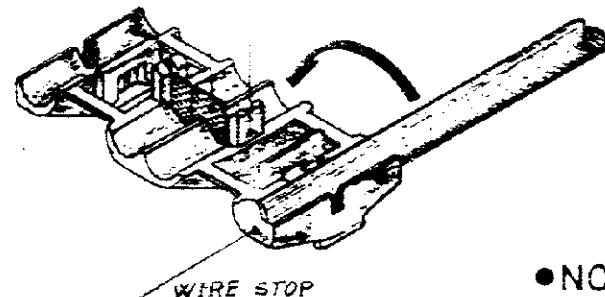


DIBUJADO EN PROYECCIONES AMERICANAS EUROPEAS

REVISIONS						
P	F	ZONE	LTR	DESCRIPTION	DATE	APPROVED
			A1	REVISED PER ECO-11-005294	13APR11	HMR

Fig.1 Positive lock for secure tap



1<sup>st</sup> STEP

LAY THE CONDUCTOR IN THE HOUSING AS SHOWN

2<sup>nd</sup> STEP

FOLD UP THE HOUSING ACCORDING THE ARROW TILL LEAN THE CONDUCTOR AGAINST THE CONTACT

- NO SPECIAL TOOLS
- NO WIRE STRIPPING
- FOR SOLID OR STRANDED WIRE OF SECTION 4 TO 6 mm
- EASY ASSEMBLY

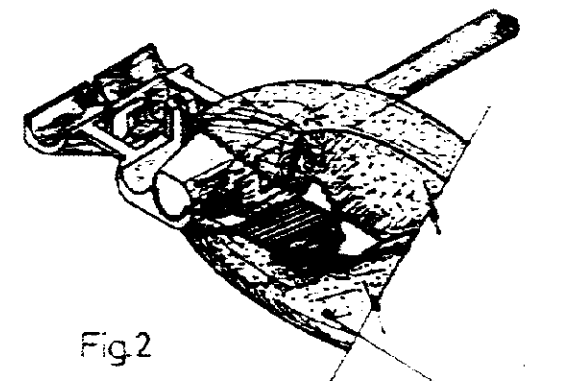


Fig.2

PLIERS

3<sup>rd</sup> STEP

SQUEEZE WITH TOOLING (PLIERS FIG 2) TILL POSITIVE LOCK IS LATCHED

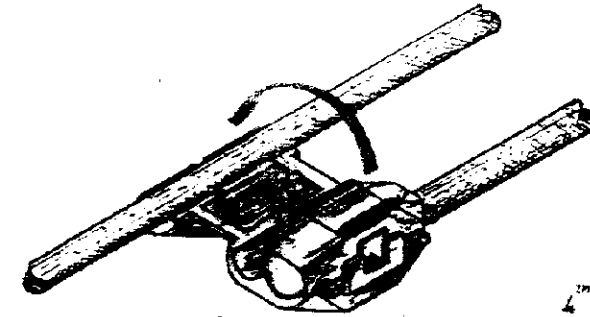
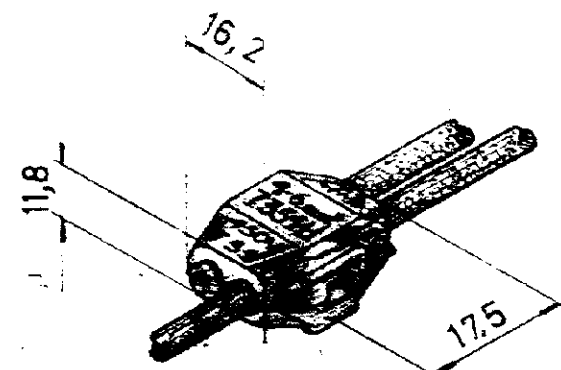


Fig.3

4<sup>th</sup> STEP

FOLD UP ACCORDING THE ARROW (FIG.3) TILL LEAN THE CONTACT AGAINST THE CONDUCTOR



5<sup>th</sup> STEP

SQUEEZE TILL LATCH THE POSITIVE LOCK  
FINISHED ASSEMBLY

735411	LATON NYLON	ESLOR VERDOR	TIN PLATED
P.N.	MATERIAL	ACABADO	

PLANO DE CLIENTE SOLO PARA REFERENCIA

PN-735411

FECHA: 3.9.92

FECHA: 3.9.92

SECA 4-6 mm

SECA AISLANTE 5 mm

PRIMER USO: General

ESCALA: 1:1

LOC: AL

B

PN-735411

A1

NOMBRE: ELECTRO TAP CONNECTOR

DIMENSIONES EN M.M.

14
10

8 7 6 5 4 3 2 1