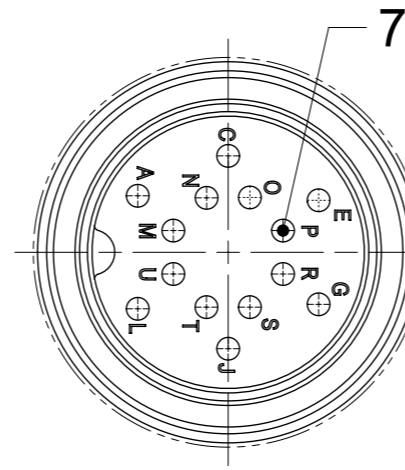


TABLE 1

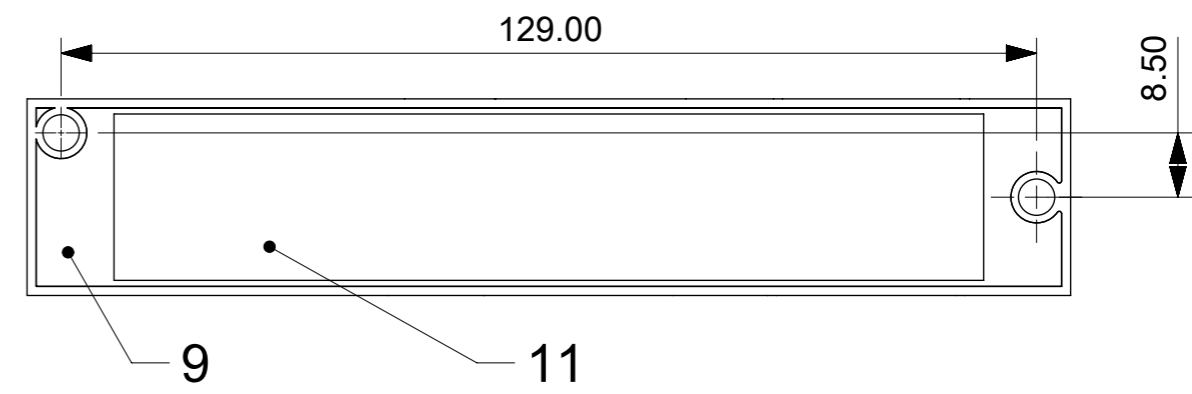
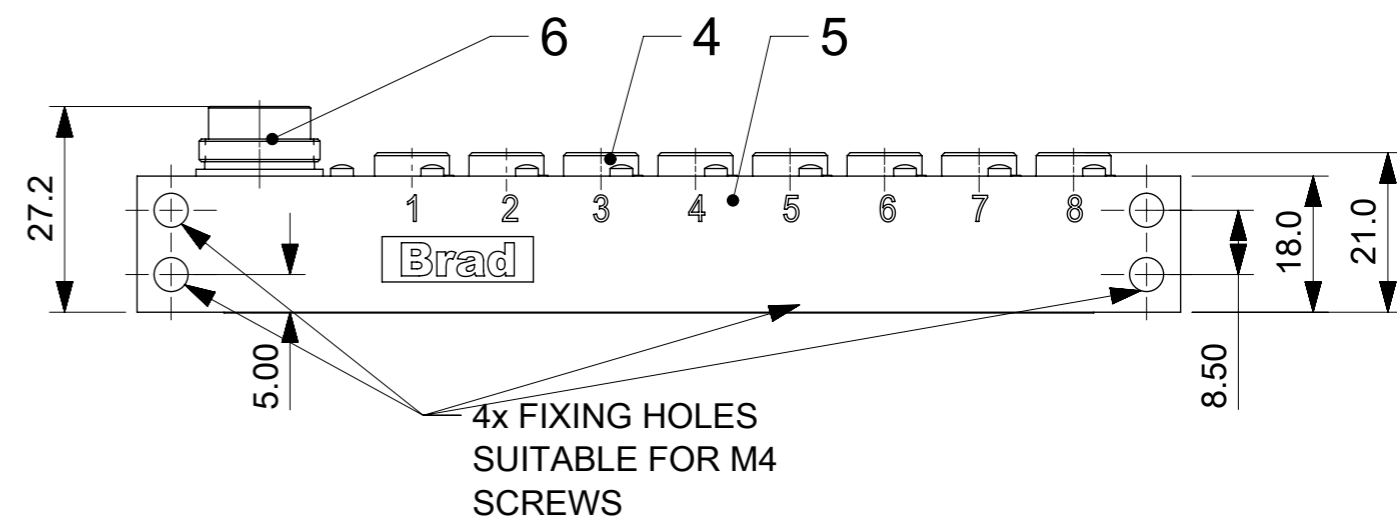
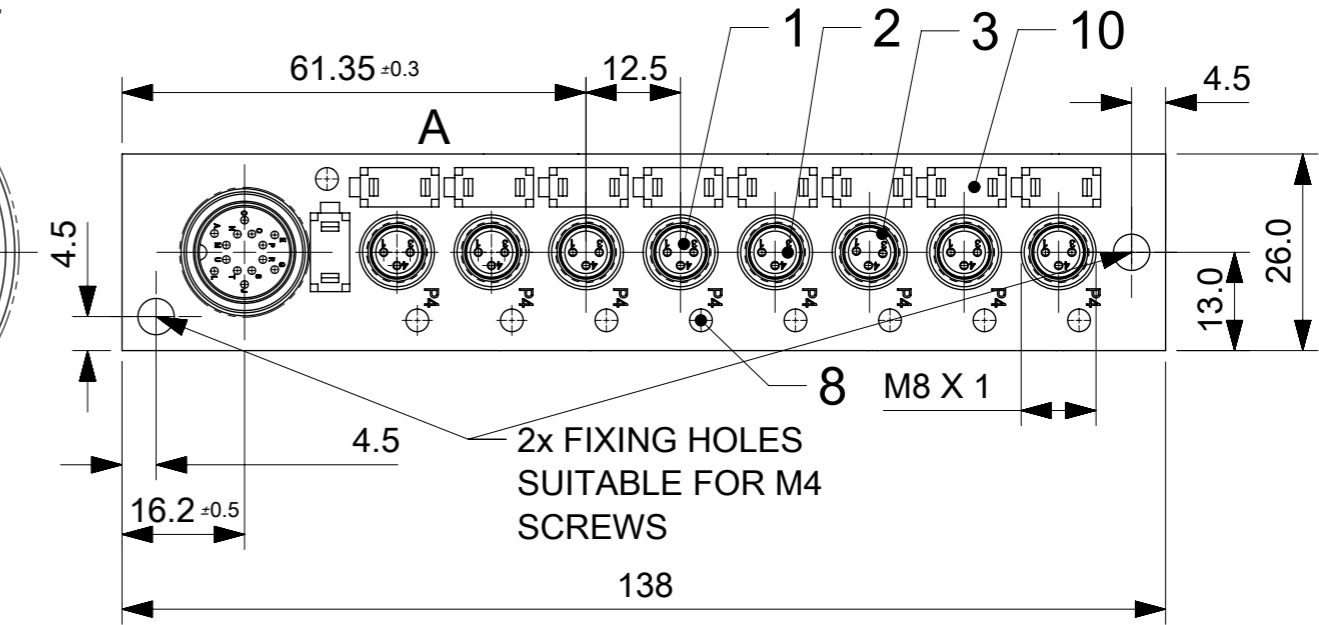
MOLEX PN	ENG. NO.	LED
1202470063	BNB801P-FBC	YES

TABLE 2 BILL OF MATERIAL

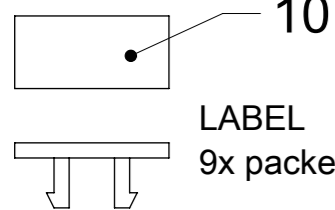
ITEM	DESCRIPTION	MATERIAL	FINISH
1	INSERT	TPU	BLACK
2	CONTACT	COPPER ALLOY	GOLD OVER NICKEL
3	O-RING	VITON	RED
4	RECEPTACLE SHELL	BRASS	NICKEL PLATED
5	HOUSING	PBT	BLACK
6	SHELL	BRASS	NICKEL PLATED
7	CONTACT	COPPER ALLOY	GOLD OVER NICKEL
8	LED	NO LED = PA	BLACK
		WITH LED = PA	TRANSPARENT
9	RESIN	EPOXY	TRANSPARENT
10	LABEL	ABS	WHITE
11	LABEL ADHESIVE	PE	WHITE



DETAIL A
SCALE 3:1



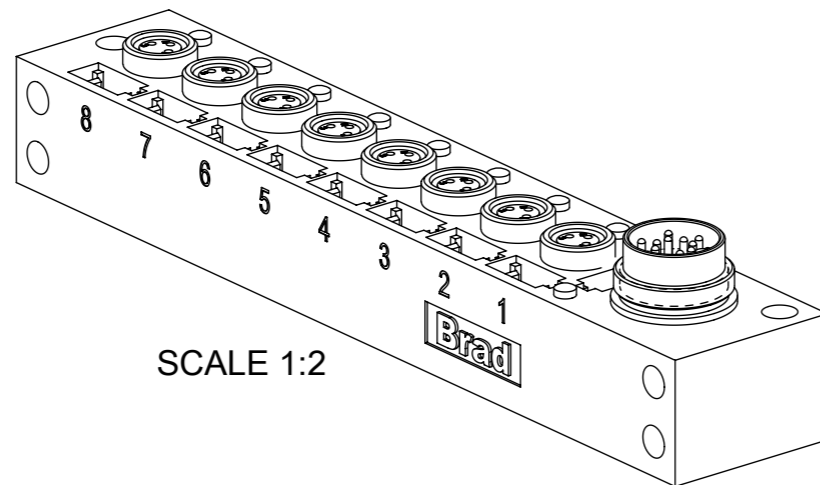
SCALE 2:1



10
LABEL
9x packed in a bag.

GENERAL CHARACTERISTICS:

NOMINAL VOLTAGE: 24 V DC
 RATED CURRENT: 2 A PER PORT / 6 A MAX: TOTAL
 IP DEGREE OF PROTECTION: IP 67
 TEMPERATURE RANGE: -25°C to + 85°C

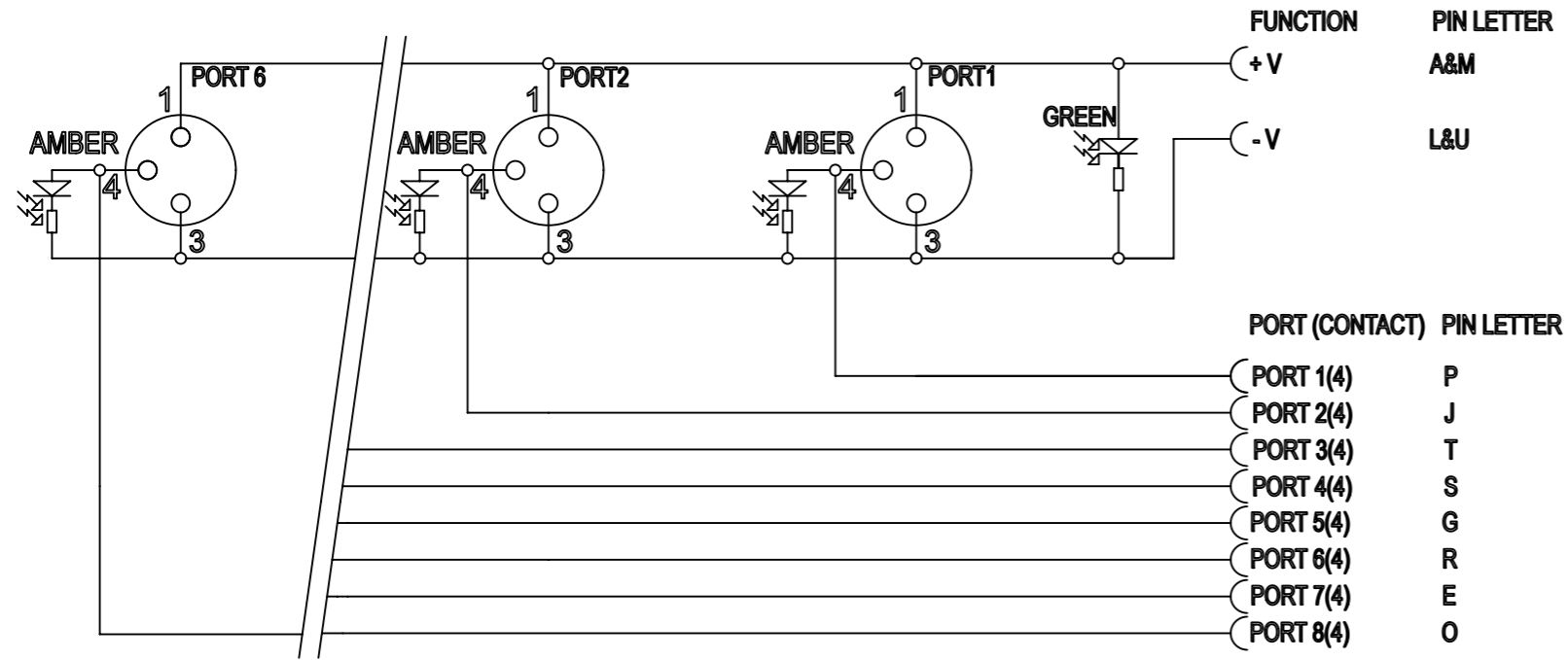


SCALE 1:2

THIS DRAWING CONTAINS INFORMATION THAT IS PROPRIETARY TO MOLEX INCORPORATED AND SHOULD NOT BE USED WITHOUT WRITTEN PERMISSION

EC DESCRIPTION		QUALITY SYMBOLS		GENERAL TOLERANCES (UNLESS SPECIFIED)		DIMENSION UNITS		SCALE				
EC NO: 100833	2015/07/29	AAHLERS	0	ANGULAR TOL ±	mm	mm	1:1					
DRWN: AAHLERS	2015/08/27	RSILLER	0	4 PLACES ±	DRWN BY	DATE	AAHLERS			2015/07/21		
CHK'D: RSILLER	2015/08/27	RSILLER	0	3 PLACES ±	CHK'D BY	DATE	RSILLER			2015/07/23		
APPR: RSILLER			0	2 PLACES ± 0.2	APPR BY	DATE	RSILLER	2015/07/23	PRODUCT CUSTOMER DRAWING			
			0	1 PLACE ± 0.3	DRAWING SIZE	THIRD ANGLE PROJECTION	A3				SERIES	MATERIAL NUMBER
			0	0 PLACES ± 0.5					120247	SEE TABLE 1	GENERAL MARKET	
			0	DRAFT WHERE APPLICABLE MUST REMAIN WITHIN DIMENSIONS					DOCUMENT NUMBER	DOC TYPE	DOC PART	SHEET NUMBER
			0						1202470063	PSD	000	1 OF 2

Wiring Diagram Single PNP



THIS DRAWING CONTAINS INFORMATION THAT IS PROPRIETARY TO MOLEX INCORPORATED AND SHOULD NOT BE USED WITHOUT WRITTEN PERMISSION

EC DESCRIPTION EC NO: 100833 DRWN: AAHLERS CHK'D: RSILLER APPR: RSILLER	2015/07/29 2015/08/27 2015/08/27	QUALITY SYMBOLS	GENERAL TOLERANCES (UNLESS SPECIFIED) ANGULAR TOL ± ° 4 PLACES ± 3 PLACES ± 2 PLACES ± 0.2 1 PLACE ± 0.3 0 PLACES ± 0.5 DRAFT WHERE APPLICABLE MUST REMAIN WITHIN DIMENSIONS	DIMENSION UNITS	SCALE	
		= 0 = 0 = 0 = 0 = 0 = 0 = 0		mm	1:1	
		DRWN BY AAHLERS		DATE	2015/07/21	
		CHK'D BY RSILLER		DATE		
APPR BY RSILLER	DATE	2015/07/23			PRODUCT CUSTOMER DRAWING	
REV A1				DRAWING SIZE	THIRD ANGLE PROJECTION	
				A3		SERIES: 120247 MATERIAL NUMBER: SEE TABLE 1 CUSTOMER: GENERAL MARKET
						DOCUMENT NUMBER: 1202470063 DOC TYPE: PSD DOC PART: 000 SHEET NUMBER: 2 OF 2