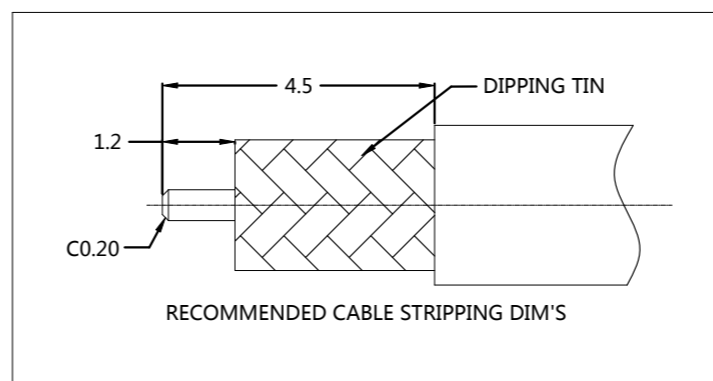
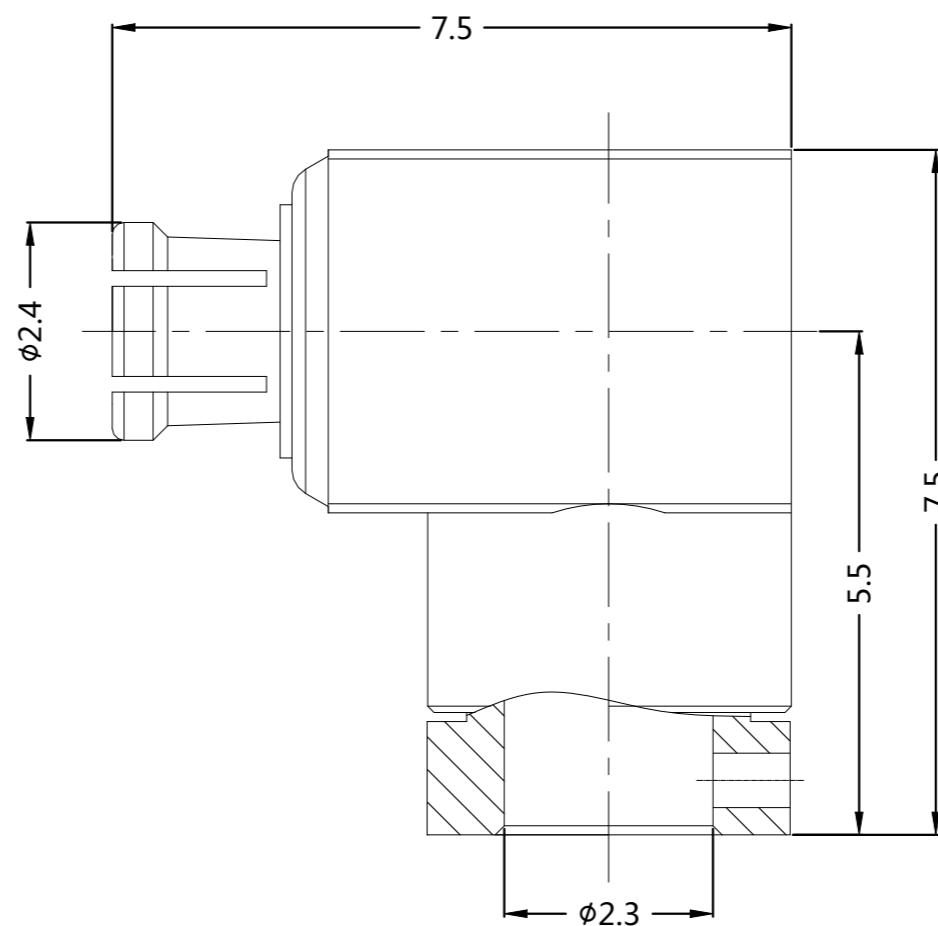
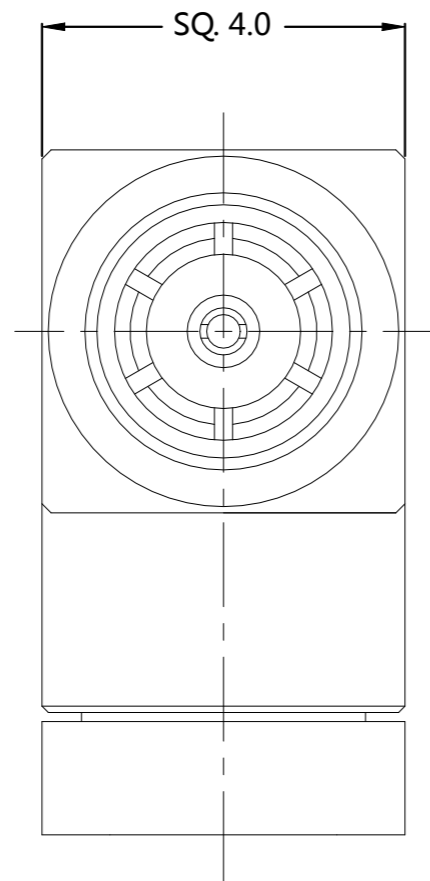


REVISIONS

P	LTR	DESCRIPTION	DATE	DWN	APVD
	A	REVISED PER ECN-22-147532	07APR2022	RZ	WK



QTY	DESCRIPTION	MATERIAL	ITEM
1	Au15u"	BeCu	OUTER CONTACT
1	Au15u"	BRASS	BODY
1	-	PTFE	INSULATION
1	Au50u"	BeCu	CENTER CONTACT
-1	PLATING	MATERIAL	DESCRIPTION

ELECTRICAL	MECHANICAL	ENVIRONMENTAL
Impedance (Ohm) <u>50</u>	Interface Dimension MIL-STD-348B Fig. <u>328-1</u>	TEMPERATURE RANGE <u>-40°C TO + 125°C</u>
Frequency Range (GHz) <u>DC to 40GHz</u>	Force to Engage (lbs) Full Detent 4.5 Max Smooth Bore 2.5 Max	THERMAL SHOCK <u>MIL-STD-202, METH.107, COND.B</u>
Voltage Rating (Peak) <u>175 V RMS</u> @ Sea Level	Force to Disengage (lbs) Full Detent 6.5 Max Smooth Bore 1.5 Max	CORROSION <u>MIL-STD-202, METH.101, COND.B</u>
Insulation Resistance (MIN.) <u>1000 M ohms</u>	Center Contact Captivation Axial (Lbs) <u>1.5</u> Radial (In/Oz) <u>N/A</u>	VIBRATION <u>MIL-STD-202, METH.204, COND.D</u>
Contact Resistance (Milliohms MAX) Center Contact <u>6.0</u> Outer Contact <u>2.0</u>	Cable Retention Axial (Lbs) <u>N/A</u>	SHOCK <u>MIL-STD-202, METH.213, COND.I</u>
Dielectric Withstand Voltage: <u>500 V RMS Max</u>	Mating cycles <u>100</u> cycles	MOISTURE RESISTANCE <u>MIL-STD-202, METH.106,</u>
Insertion Loss : <u>0.1*SQRT(F) dB</u>		ROHS <u>COMPLIANT</u>
VSWR: <u><1.3 @ DC~26.5GHz</u> <u><1.5 @ 26.5~40GHz</u>		
RF leakage: <u>N/A</u>		

THIS DRAWING IS A CONTROLLED DOCUMENT.

DIMENSIONS:	TOLERANCES UNLESS OTHERWISE SPECIFIED:
mm	0 PLC ± -
	1 PLC ± 0.3
	2 PLC ± 0.2
	3 PLC ± 0.1
	4 PLC ± -
	ANGLES ± 5°
MATERIAL	FINISH
-	-

DWN	16FEB2022
RANDY Z	
CHK	16FEB2022
ERIC D	
APVD	16FEB2022
WENKE H	
PRODUCT SPEC	
APPLICATION SPEC	
WEIGHT	-

STE TE Connectivity

NAME: SMPM JACK RA SOLDER FOR CABLE TFLEX-405

SIZE	CAGE CODE	DRAWING NO	RESTRICTED TO
A3	00779	C-2406866	-

CUSTOMER DRAWING SCALE 1:1 SHEET 1 OF 1 REV A