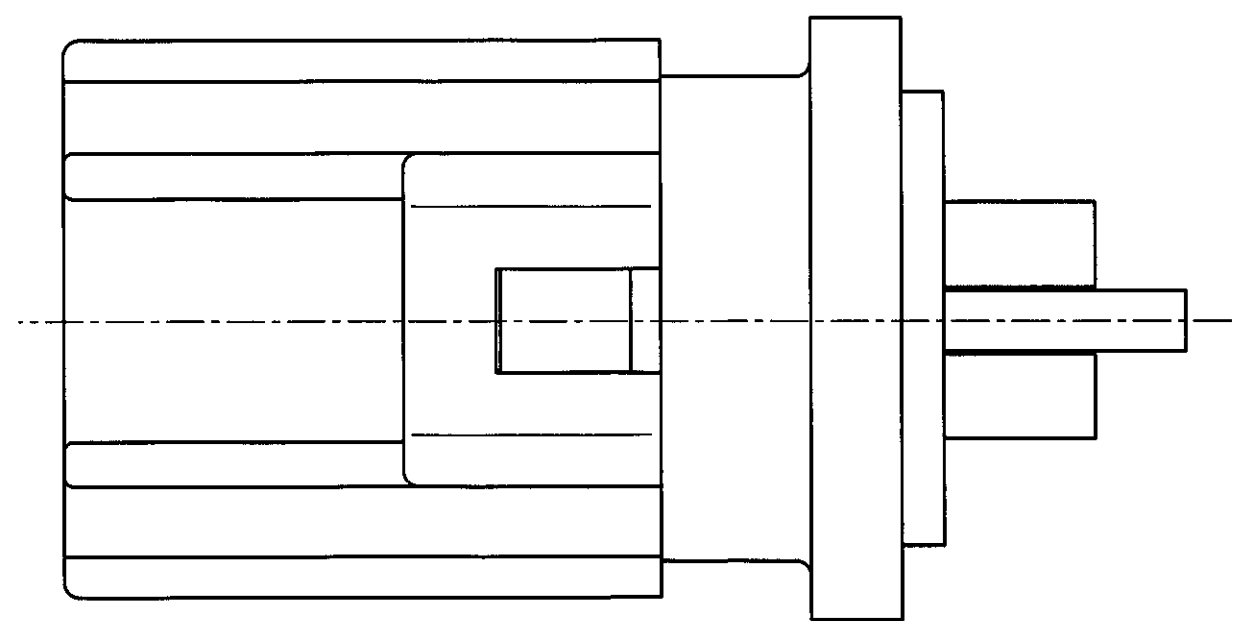
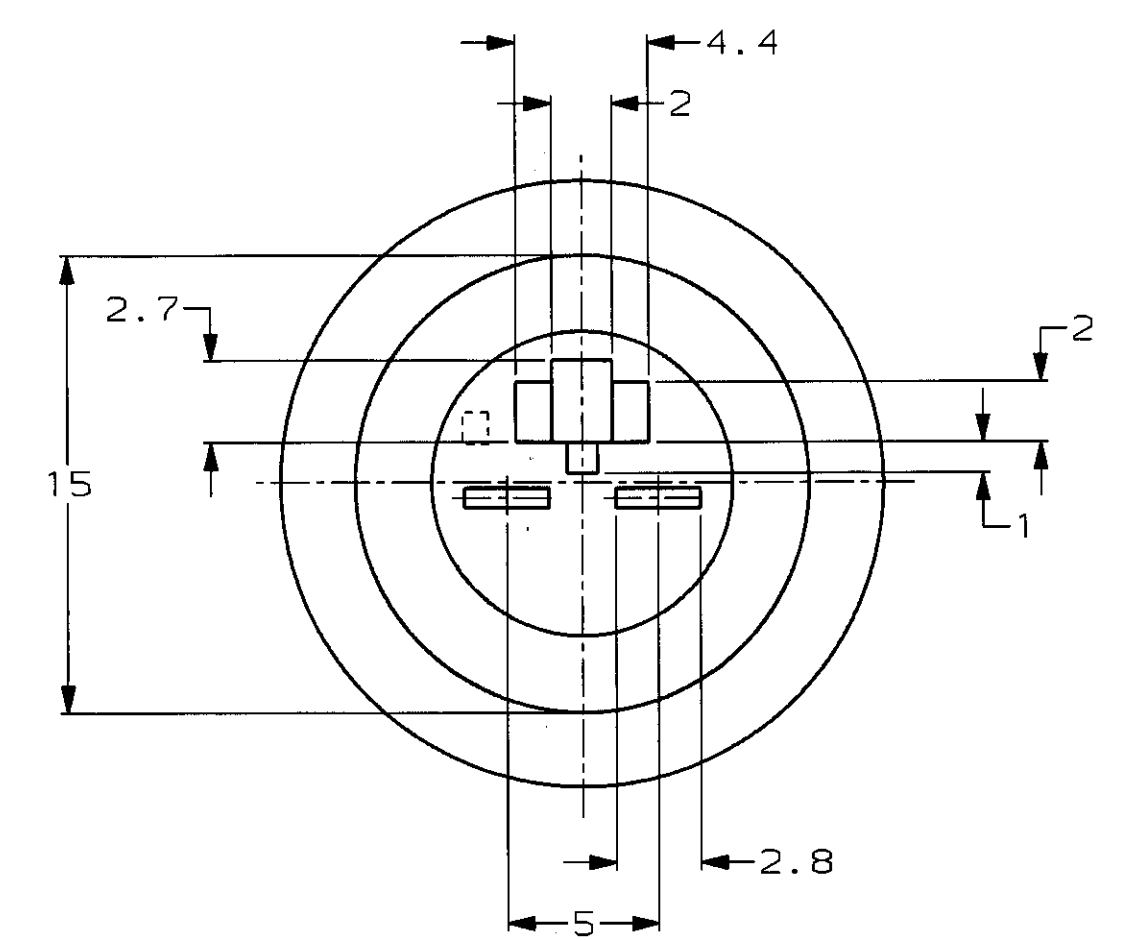
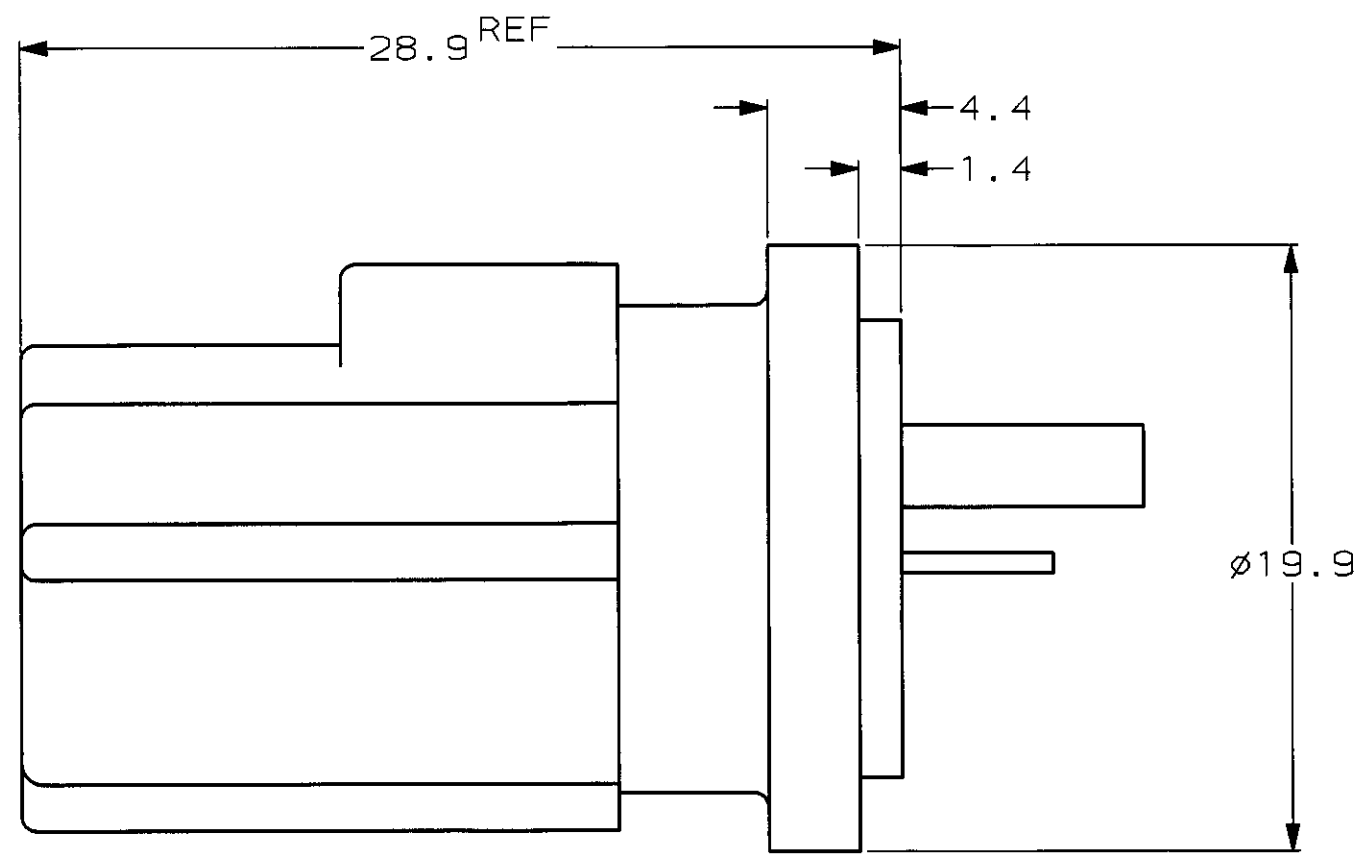
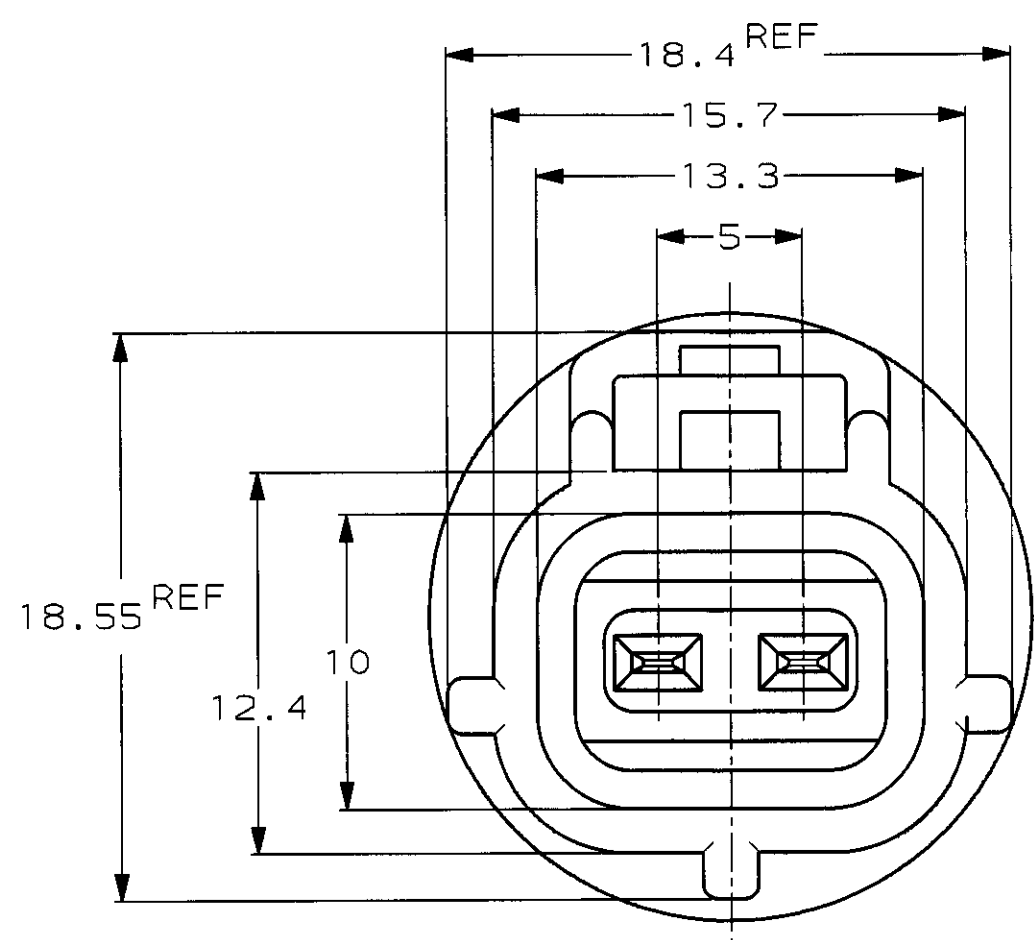


THIS DRAWING IS UNPUBLISHED. RELEASED FOR PUBLICATION, 19 .
 © COPYRIGHT 19 BY AMP INCORPORATED. ALL RIGHTS RESERVED.


LOC		DIST		REVISIONS					
P	LTR	DESCRIPTION	ECN	DATE	DWN	APVD			
	0	RELEASED	FJ00-1214-99	13JUL99	TS	KB			



-2; 本図
 -2; AS SHOWN



- 1. 嵌合相手型番: 178390
- 1. MATING PLUG HOUSING PART NUMBER: 178390

THIS DRAWING IS A CONTROLLED DOCUMENT FOR AMP INCORPORATED. IT IS SUBJECT TO CHANGE AND THE CONTROLLING ENGINEERING ORGANIZATION SHOULD BE CONTACTED FOR THE LATEST REVISION.		DWN T. SHINOHARA 13JUL99	WIRE RANGE 適合電線断面積	INSULATION DIA 被覆外径
DIMENSIONS. 単位 概 mm		CHK K. BETSU 13JUL99	 株式会社 川崎 Kawasaki, Japan	
TOLERANCES UNLESS OTHERWISE SPECIFIED 一般公差 10mm ±0.2 30 ±0.25 100 ±0.3 ANGLE: ±3°		APVD K. BETSU		
MATERIAL HSG: PBT TAB: BRASS		FINISH 仕上 TAB: PRE-TIN	PRODUCT SPEC 製品規格 108-5355	NAME 名称 070 SERIES EJ-II FOR SENSOR 2POSITION CAP HOUSING ASSEMBLY B-TYPE
CUSTOMER DRAWING		WEIGHT 6.65g	INSTRUCTION SHEET 取扱説明書 411-5590	SIZE CAGE CODE A2 00779
		SCALE 尺 4:1	DRAWING NO C=174365	RESTRICTED TO ---
			SHEET 1	OF 1
			REV 0	