

APPROVED: \_\_\_\_\_  
 DATE: \_\_\_\_\_ TITLE: \_\_\_\_\_

Rev	AWO #	Description	Date	Appr
-		RELEASED	12/22/21	
A		ADDED SPEC.	8/11/22	LH/TW

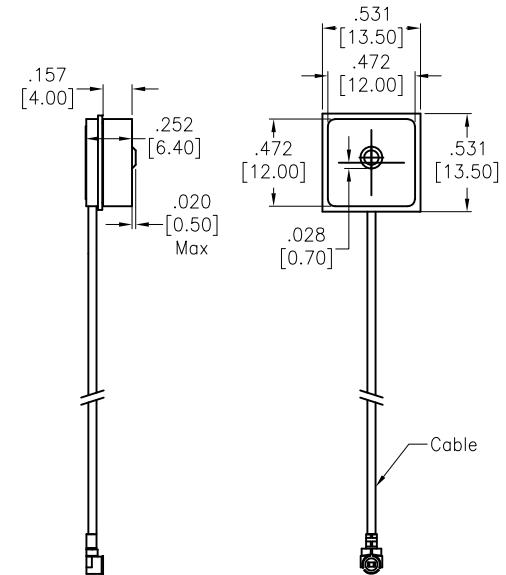
SPECIFICATIONS:  
 Electrical:

Standards	GPS/GLONASS	
Frequency range(MHz)	1575MHz	1609MHz
Peak Gain	2.04dBi	2.23dBi
Average Gain(dB)	-3.6dB	-3.4dB
VSWR	1.23	1.34
Return Loss	-19.61	-16.73
Efficiency (%)	43.3%	45.7%
Polarization mode	Circular polarization	
Radiation pattern	Hemispherical	
Voltage Range (V)	1.8~3.6V	
Active Gain (dB)	25	
Noise Figure (dB)	1.5	
Current Consumption (mA)	20	
Power Consumption (mA)	100	

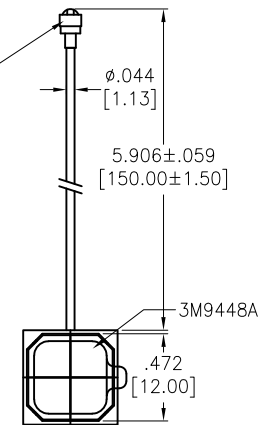
Mechanical:

Mounting Type	Adhesive
Antenna Type	3M9448A
Connector Type	U.FL Standard
Antenna size(mm)	12mm(L)X12mm(W)X4.4mm(H)
Material	Ceramic
Cable length(mm)	150mm
Operating Temperature	-40°C~+85°C
Storage Temperature	-40°C~+85°C

Environmental:  
 Lead free, RoHS compliant.



⚠ All over Nickel 1.0um min  
 Contact Part Gold 0.05um min



UNLESS OTHERWISE SPECIFIED ALL DIMENSIONS  
 ARE INCHES [MM]. TOLERANCES: EXCEPT AS NOTED

INCHES		HOLES	
.x	±.10	∅x	±.10
.xx	±.020	∅xx	±.015
.xxx	±.015	∅xxx	±.010

**ADAM  
 TECH**

909 Rahway Avenue,  
 Union, NJ 07083  
 Phone: 908-687-5000  
 Fax: 908-687-5710

DRAWN	WX	12/22/21
CHECKED	RC	12/22/21
APPROVED		

TITLE  
 12x12x4mm GNSS ACTIVE GPS PATCH ANTENNA,  
 ADHESIVE TYPE TO U.FL

THIS DRAWING CONTAINS INFORMATION THAT IS PROPRIETARY  
 AND SHOULD NOT BE USED WITHOUT PRIOR WRITTEN  
 PERMISSION FROM ADAM TECH

SIZE	PART NO.	REV.
X	ANT-190751B93	A

REF: S00207C SCALE: NTS SHEET 1 OF 1