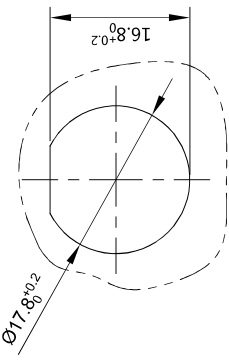
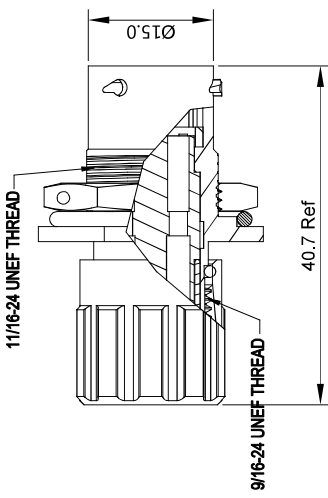
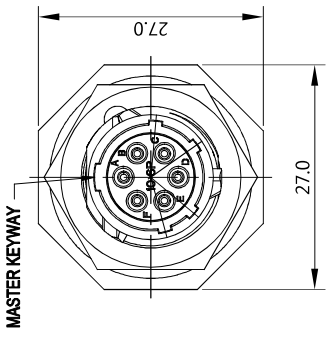
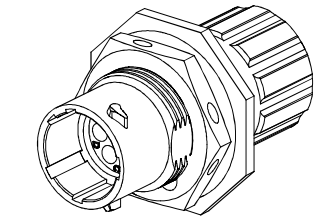


REVISIONS

REV	ECO	DESCRIPTION	DATE	BY	APPR
B1	-	RELEASED DRAWING	July-04-2014	Ben	Tommy
B2	-	MODIFY THE INSERT LETTER LOCATION	May-20-2016	Ben	Tommy
B3	-	ADAPT TO CHANGE OF WIRE DIAMETER	Jan-7-2020	Ronald	Tommy



PANEL CUT OUT REFERENCE

NOTES : (UNLESS OTHERWISE SPECIFIED)

- MATERIAL :
 - SHELL : ZINC ALLOY , NICKEL PLATED.
 - INSERT : THERMOPLASTIC , UL94 V-0.
 - END CAP : THERMOPLASTIC , UL94 V-0.
 - JAM NUT : AL ALLOY , NICKEL PLATED.
 - O-RING : NBR/SILICONE RUBBER.
 - SEAL GASKET : NBR/SILICONE RUBBER.
 - WIRE SEAL : SILICONE RUBBER.
 - PLASTIC BUSHING : THERMOPLASTIC , UL94 V-0.
- SPECIFICATIONS :
 - 2.1 RATED CURRENT :
 - 2.1.1 STAMPED CONTACT 5A (MAX).
 - 2.1.2 MACHINED CONTACT 7.5A(MAX).
 - 2.2 RATED VOLTAGE : 250V (AC/DC) .
 - 2.3 OPERATING TEMPERATURE : SEE CHART.
 - 2.4 DIELECTRIC WITHSTANDING VOLTAGE : LESS THAN 2 MILLIAMPS CURRENT LEAKAGE@1500 VOLTS AC.
 - 2.5 INSULATION RESISTANCE : 5000 MEGOHMS MIN.
 - 2.6 IP--CLASS : IP67 (MATED CONDITION).
 - 2.7 MATING CYCLES DURABILITY : 500 CYCLES(MIN).
 - 2.8 RoHS COMPLIANT.
- SUITABLE CONTACTS : 20# CONTACTS.
- ALL DIMENSIONS ARE FOR REFERENCE USE ONLY.
- CONTACT SIZE AND REAR SEAL WIRE RANGE :

CONTACT SIZE	MIN. INSUL O.D.	MAX. INSUL O.D.
20#	Ø1.4mm	Ø2.1mm

KEY POS	PART NUMBER	TEMPERATURE
N	RT0W7106PNHEC	-40°C ~ 105°C
W	RT0W7106PWHEC	-40°C ~ 125°C
X	RT0W7106PXHEC	
Y	RT0W7106PYHEC	
Z	RT0W7106PZHEC	

QUANTITY	PART NUMBER	DESCRIPTION	ITEM
MATERIALS LIST			
UNLESS OTHERWISE SPECIFIED (See comments):		DATE	
1) TOLERANCES ARE AS FOLLOWS:	FINISH	Jan-7-2020	
1 F.L. DEC 20-20	FRACTIONS 1/64	CHECKED	
2 F.L. DEC 20-20	ANGLES 1/16	ENGINEER	
3) Note reference =	APPROVAL	Tommy	
MATERIAL SPECIFICATIONS		CUSTOMER	
PROCESS SPECIFICATIONS:		Sine Systems - www.amphenol-sine.com 44724 Morley Drive Clinton Township, MI 48036	
NEXT ASSY:		ECO-MATE, RECEPTACLE, SIZE 10, 6POS, PIN, END CAP.	
SCALE		NONE	
SIZE TYPE		B C-	
DRAWING NUMBER		RT0W7106P*HEC*	
REVISION		B3	
SHEET		1 OF 1	