

**MATERIAL**

Anodised aluminium, flat oval-cross-section bar.

**STANDARD EXECUTIONS**

Threaded blind holes.

- **RHOA-01**: natural colour.
- **RHOA-04**: black colour.

**SPECIAL EXECUTIONS ON REQUEST**

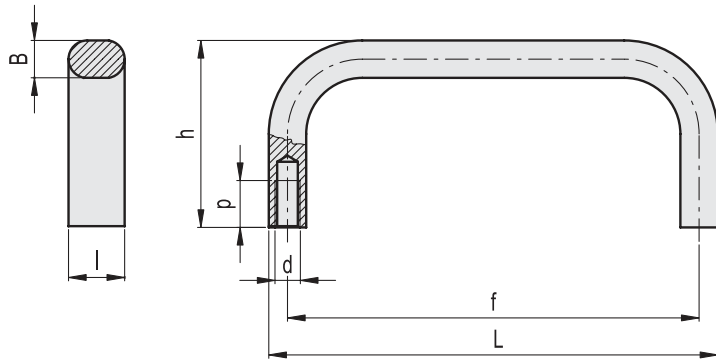
Different lengths.

**OTHER STANDARD EXECUTIONS AVAILABLE**

Version RH-OA-CLEAN (see page 476).



f		L	
mm	inch	mm	inch
55	2.16	63	2.48
88	3.46	96	3.78
100	3.94	108	4.25
120	4.72	128	5.04
180	7.09	188	7.40
200	7.87	208	8.19
235	9.25	243	9.57
250	9.84	258	10.16



**RHOA-01**

METRIC

Code	f	L	d	p	B	h	l	⚖️
RHOA-12.055.01	55	63	M5	10	8	40	12	24
RHOA-12.088.01	88	96	M5	10	8	40	12	30
RHOA-12.100.01	100	108	M5	10	8	40	12	32
RHOA-12.120.01	120	128	M5	10	8	40	12	37
RHOA-12.180.01	180	188	M5	10	8	40	12	50
RHOA-12.200.01	200	208	M5	10	8	40	12	54
RHOA-12.235.01	235	243	M5	10	8	40	12	61
RHOA-12.250.01	250	258	M5	10	8	40	12	65

**RHOA-04**

Code	f	L	d	p	B	h	l	⚖️
RHOA-12.055.04	55	63	M5	10	8	40	12	24
RHOA-12.088.04	88	96	M5	10	8	40	12	30
RHOA-12.100.04	100	108	M5	10	8	40	12	32
RHOA-12.120.04	120	128	M5	10	8	40	12	37
RHOA-12.180.04	180	188	M5	10	8	40	12	50
RHOA-12.200.04	200	208	M5	10	8	40	12	54
RHOA-12.235.04	235	243	M5	10	8	40	12	61
RHOA-12.250.04	250	258	M5	10	8	40	12	65

- 1
- 2
- 3
- 4
- 5
- 6
- 7
- 8
- 9
- 10
- 11
- 12
- 13
- 14
- 15
- 16
- 17
- 18