



Features :

- 6 digits Time / Count totaliser
- 7 segment white LED display
- Inbuilt sensor supply
- Compact size
- Selectable least count

Certifications :

Display specifications

Display	6 digits, 7 segment white LED display
---------	---------------------------------------

Input specifications

Sensor type	NPN / PNP
Input type	Counter : 5 to 30V DC from Proximity switches, Encoders, Potential free contacts, Limit switches etc. Timer : Potential free contact
Input speed	For Counter only : 1) 20Hz (DIP 1 ON) 2) 5KHz (DIP 1 OFF)

Output specifications

Sensor supply	Inbuilt, 12V DC @60mA
---------------	-----------------------

Functional specifications

Range	Counter : 999999 counts Timer : a) 99999.9 sec b) 999999 sec c) 99999.9 min d) 999999 min e) 99999.9 hrs f) 999999 hrs
Counting direction	Up
Reset	1. For counter - front panel reset key 2. For timer - short terminal 4 & 5
Memory retention	10 years

Auxiliary supply specifications

Supply voltage	90 to 270V AC/DC 12 to 24V DC (Optional)
Power consumption	5VA max

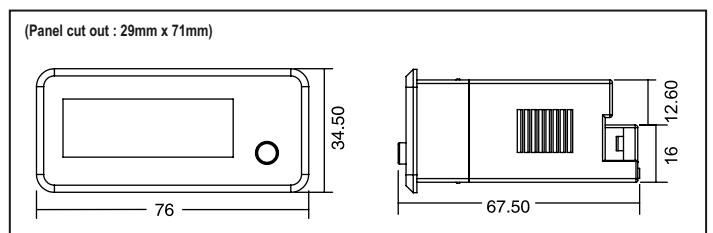
Environmental specifications

Temperature	Operating : 0 to 50°C (32 to 122°F) Storage : -20 to 75°C (-4 to 167°F)
Humidity (non - condensing)	95% RH

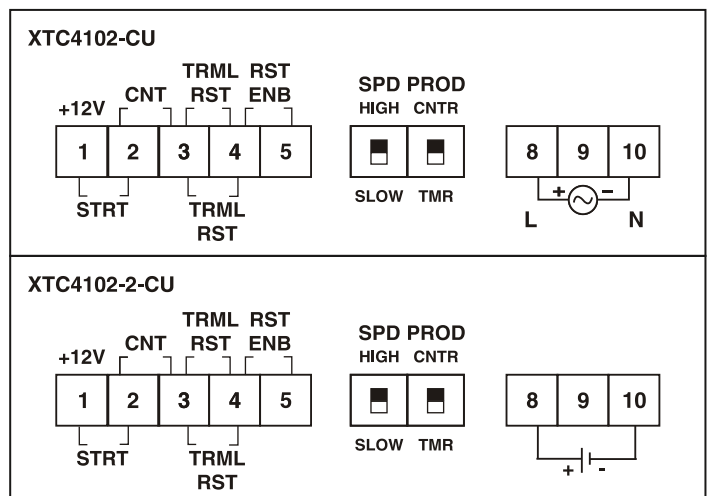
Mechanical specifications

Mounting	Panel mount
Weight	140gms

Dimensions (All are in mm)



Terminal connections



Ordering information

Product code	Supply voltage	Certification
XTC4102-CU	90 to 270V AC / DC	
XTC4102-2-CU	12 to 24V DC	