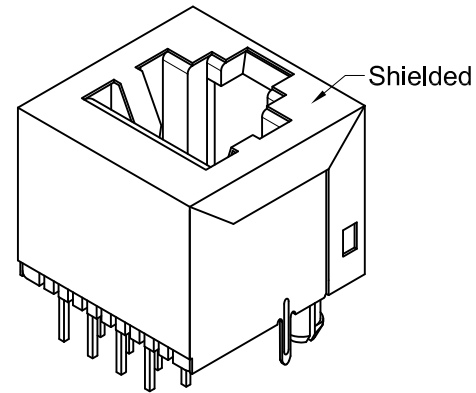
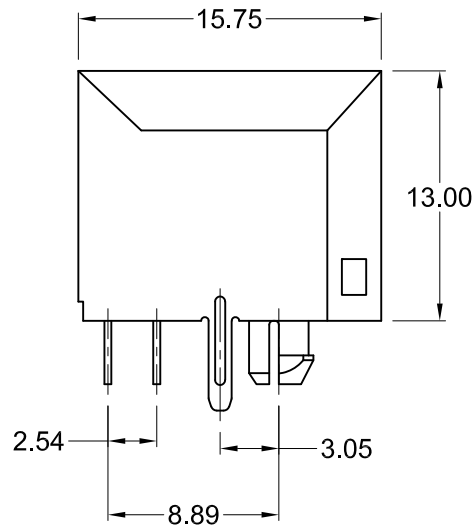
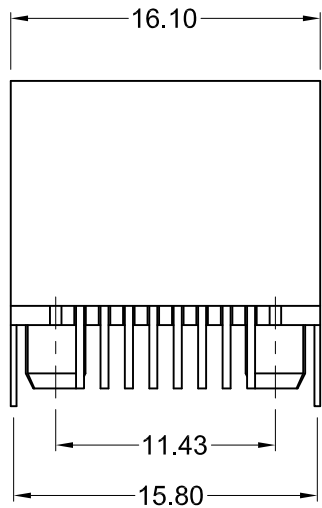


PCB Layout (Top View)



Materials and Finish

Housing: PBT Thermoplastic
 UL 94V-0 Rated
 Color: Black

Contact Material:
 Phosphor Bronze

Plating:
 Nickel Underplating,
 Gold Plating on Contact Area,
 Tin Plated on Solder Area

Electrical Characteristics

Rated Current: 1.5A

Rated Voltage: 125V A/C

Insulation Resistance:
 500 Megohms Min.

Contact Resistance:
 20 milliohms Max.

Dielectric Withstanding Voltage:
 1000V AC for 1 Minute

Mechanical Characteristics

Durability Rating:
 750 Mating Cycles Min.

Operating Temperature:
 0°C to 70°C

Part Number	Contact Area Plating Finish
GDLPX-PNS-88	Gold Flash (standard)
GDLPX-PNS-88-30	30u" Gold (-30 option)
GDLPX-PNS-88-50	50u" Gold (-50 option)

Tolerances
X.X ± 0.35
X.XX ± 0.25
Unless Stated Otherwise

RoHS COMPLIANT

REV.	DATE	DESCRIPTION	REV. BY	CHK. BY	DRAWN BY	DATE
A0.1	06/05/19	New Drawing	C. Kelleher	D. Shehan		
A1	12/05/19	Release Drawing	G. Serrato	D. Shehan	C. Kelleher	05/24/16

GDLPX-PNS-88-xx

8P8C Shielded, Vertical Mount,

Modular Jack, Low Profile

