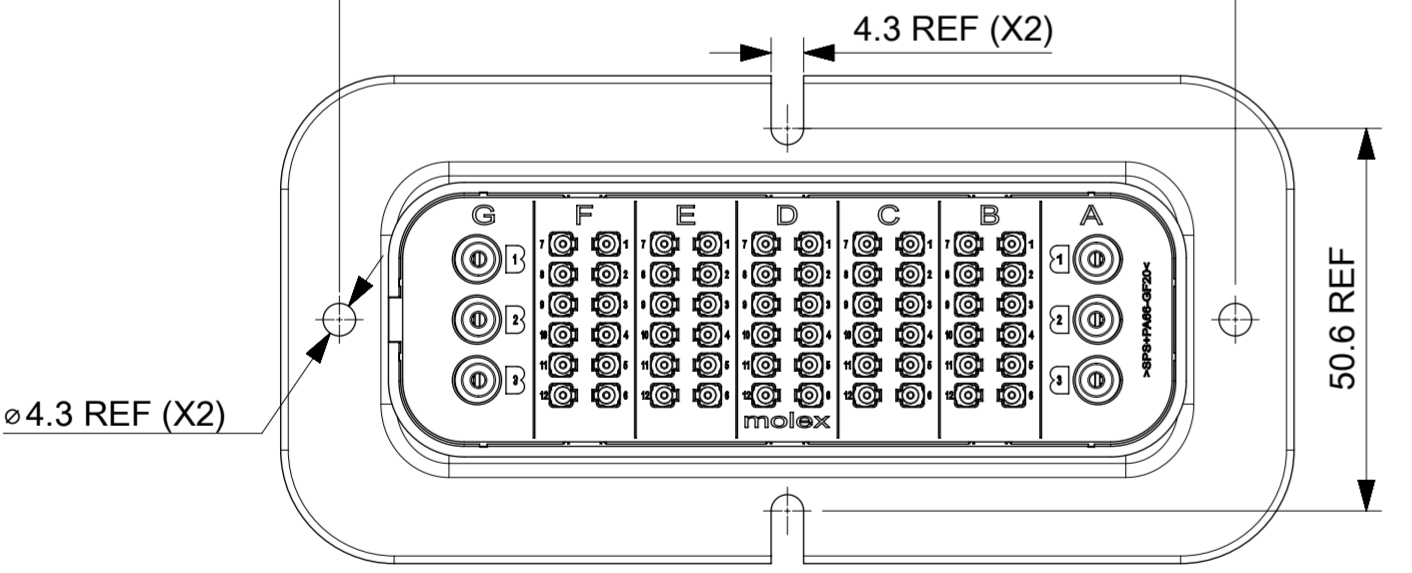
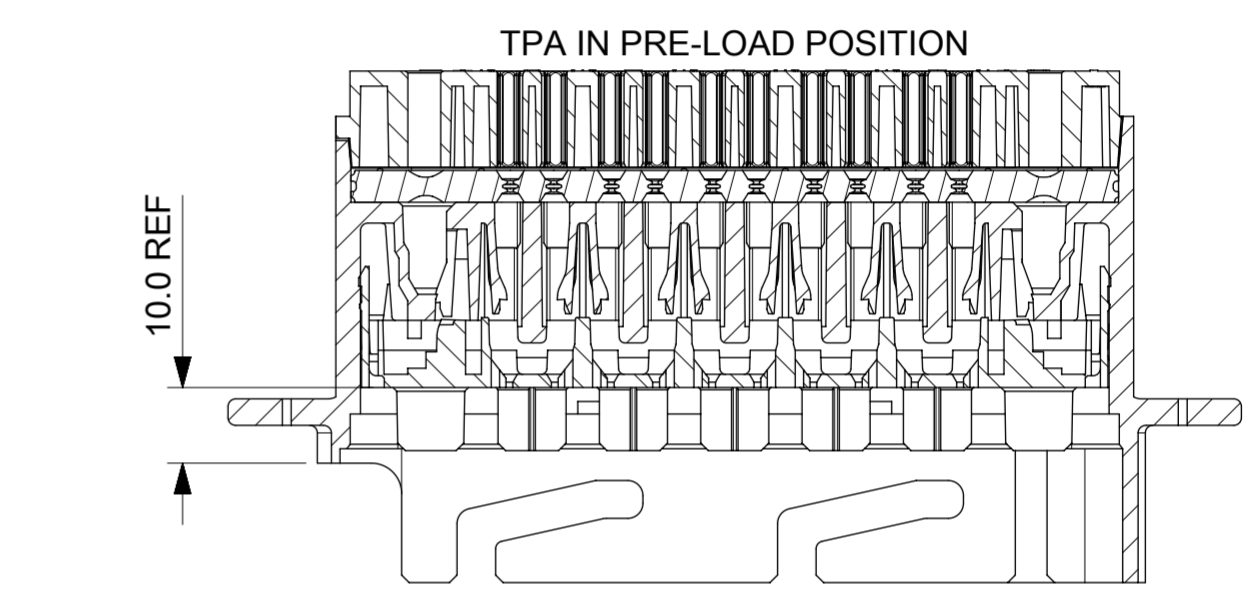
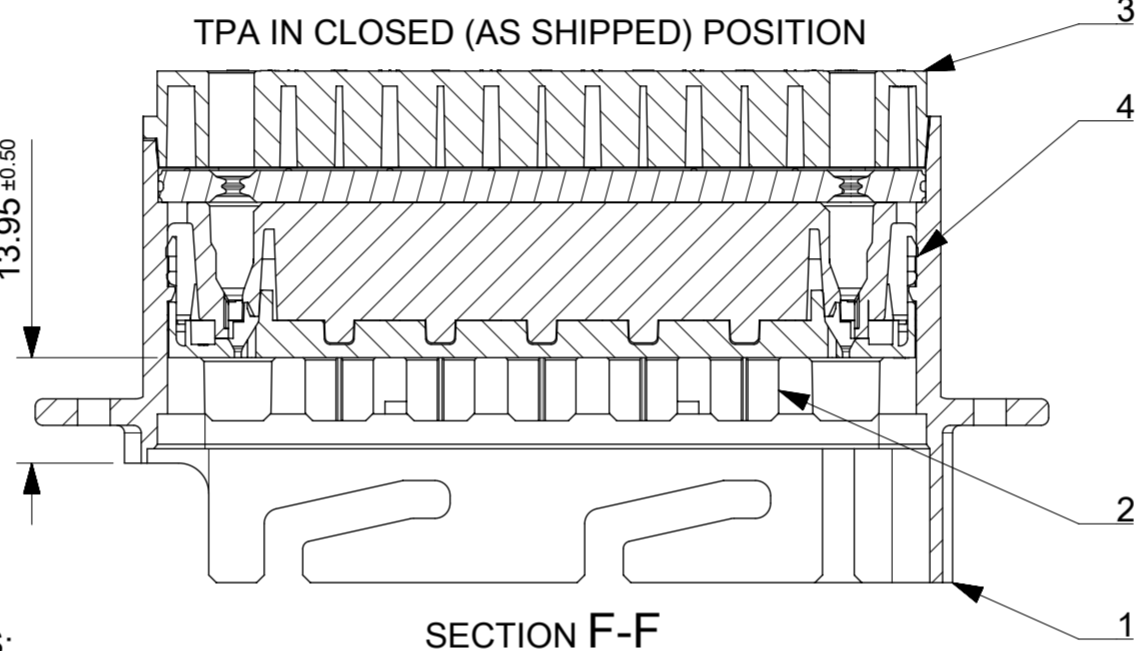
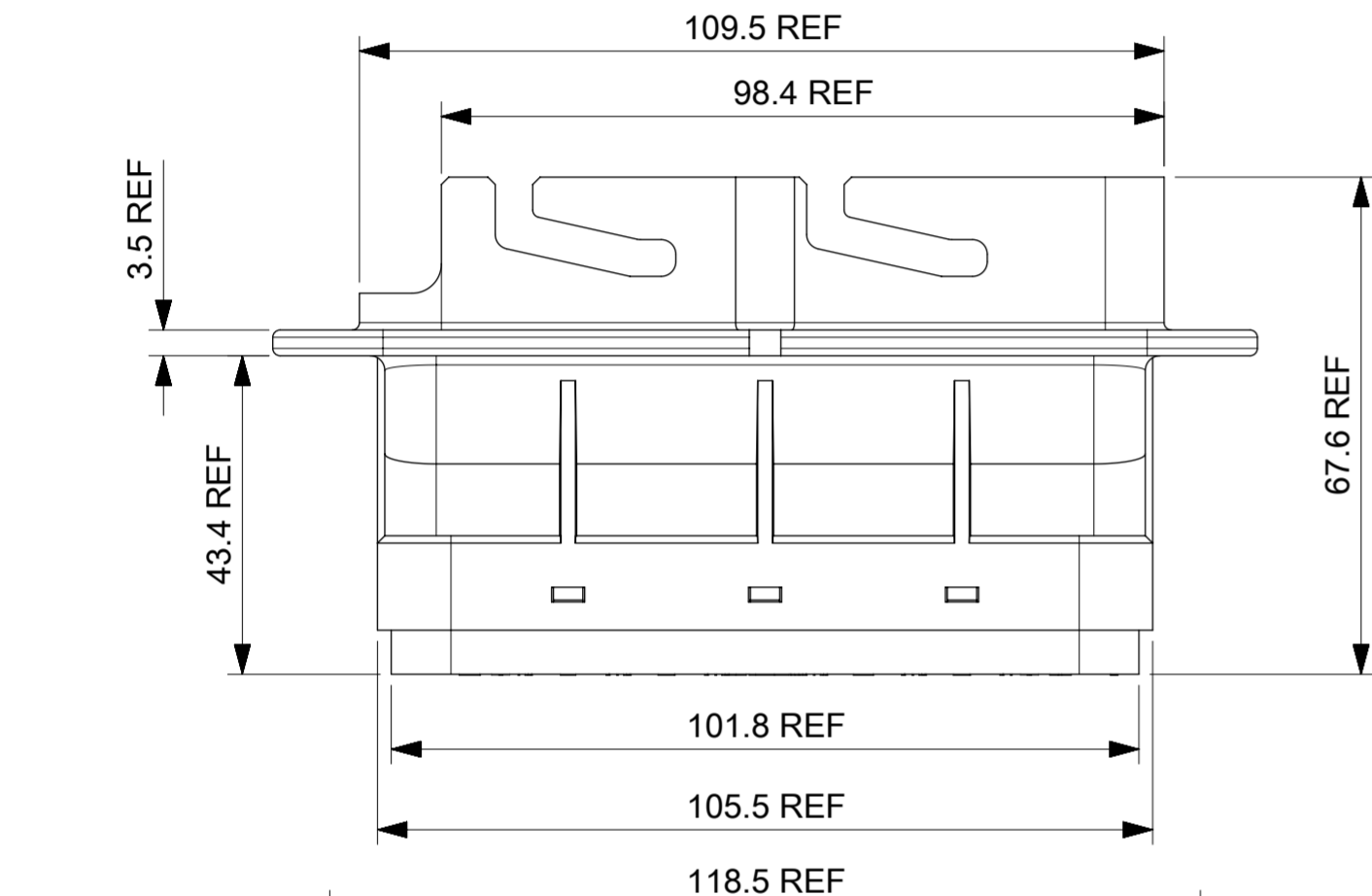
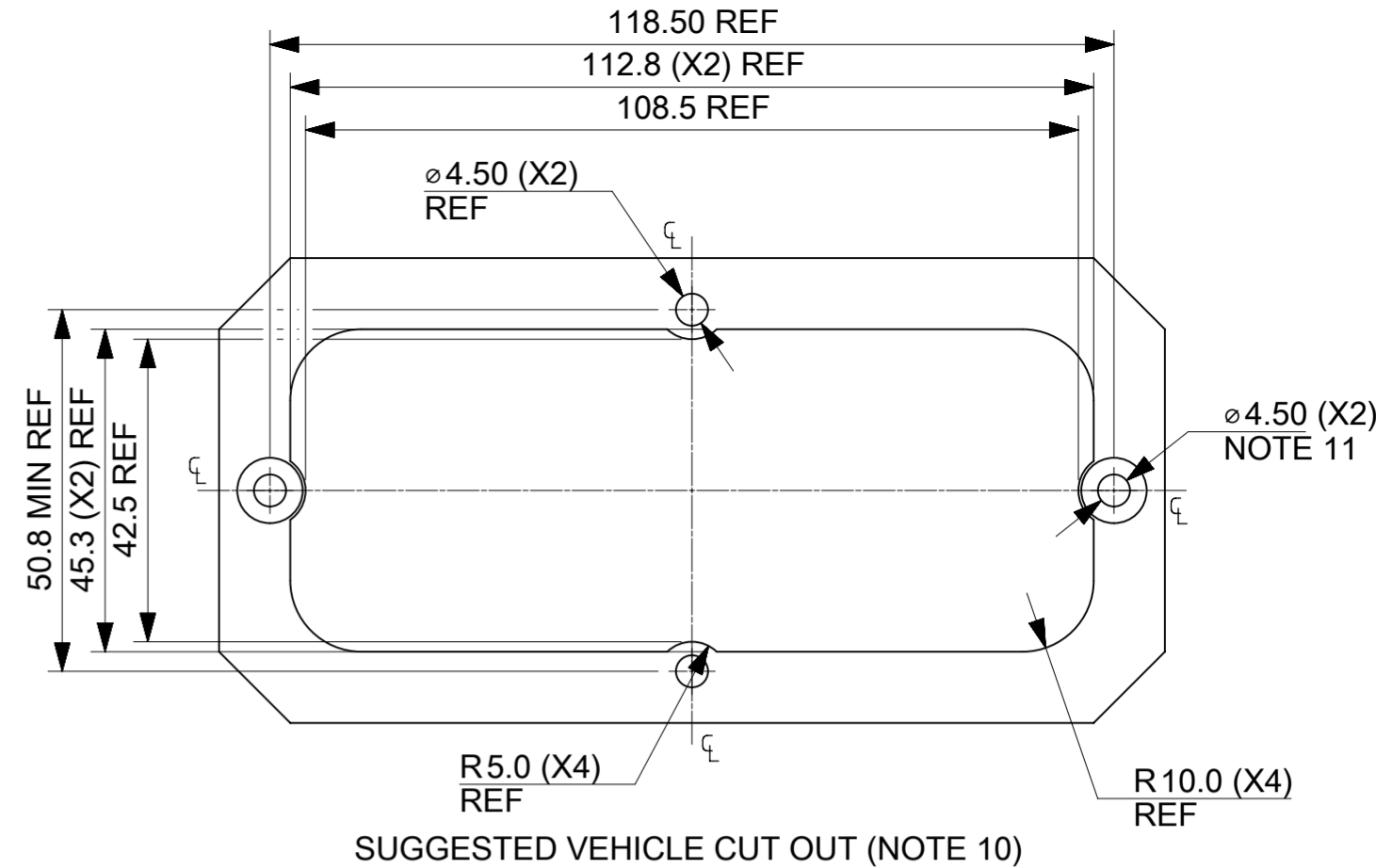
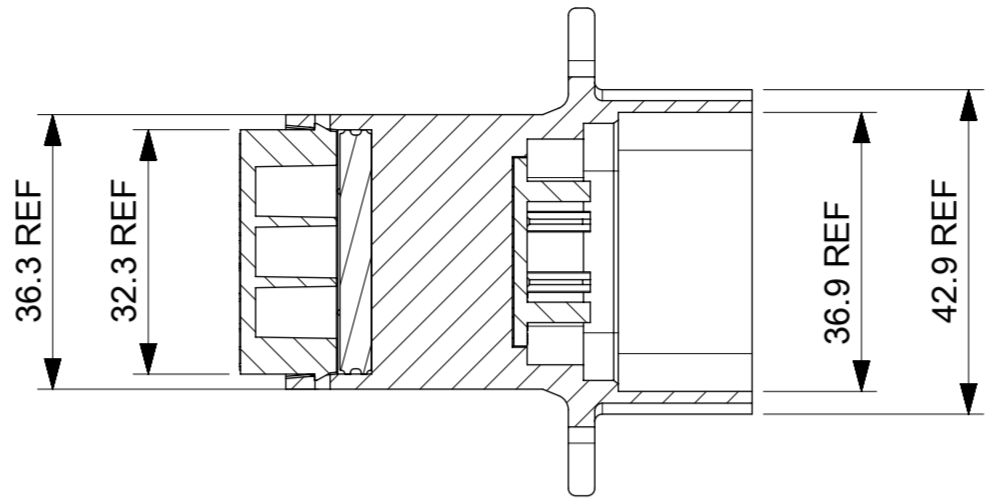
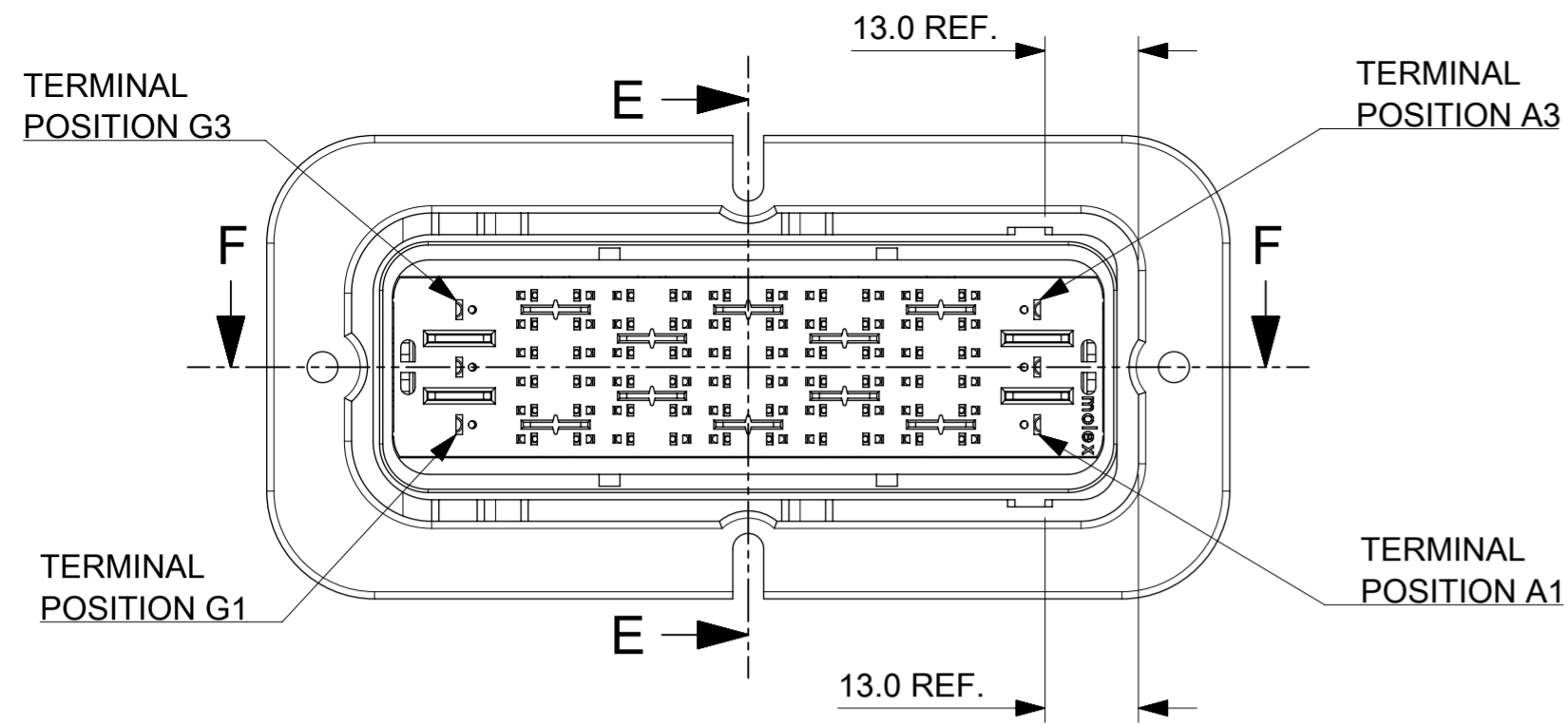


60+6AG MAIN HOUSING BLACK

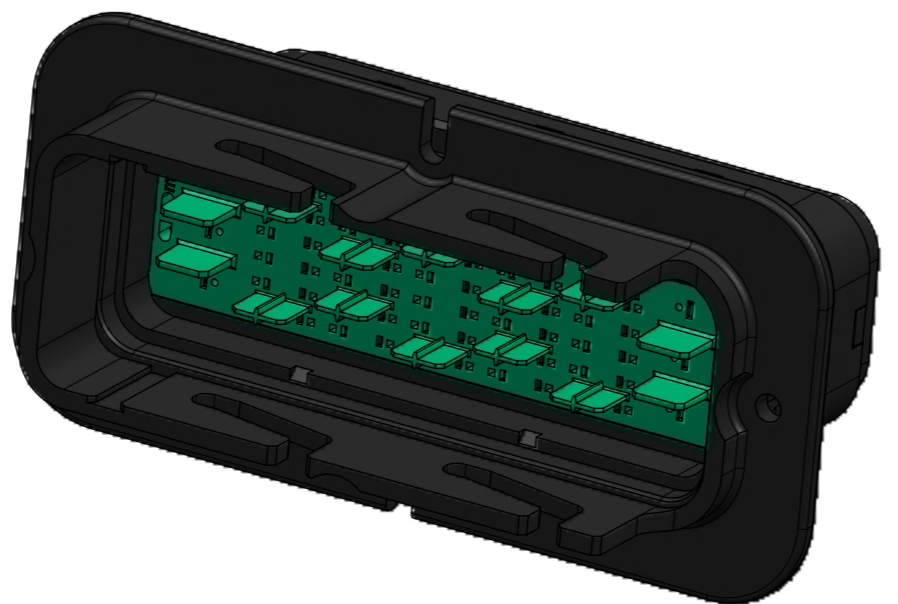


- NOTES:**
- MATERIALS:
HOUSINGS: SPS/NYLON BLEND, GLASS FILLED, UL 94 HB
SEAL: SILICONE RUBBER
 - EXTERNAL SURFACES CLASS C PER MOLEX STANDARD PS-45499-002. VARIATION OF SHADE WITHIN OR BETWEEN BATCHES, OR DISCOLOURATION IS ACCEPTABLE.
 - MX150 BLADE TERMINALS PER SD-33000-001 TO BE USED WITH THESE ASSEMBLIES IN CAVITIES B, C, D, E AND F, CRIMPED WITH CABLE INSULATION OUTER DIAMETER IN THE RANGE 1.5mm TO 2.7mm
 - MX150L BLADE TERMINALS PER SD-19431-00* TO BE USED WITH THESE ASSEMBLIES IN CAVITIES A AND G, CRIMPED WITH CABLE INSULATION OUTER DIAMETER IN THE RANGE 3.0mm TO 5.0mm
 - PRODUCT SPECIFICATION: 850830010 PSP
 - PACKAGING SPECIFICATION: 937921000 PSK
 - MATES WITH: SRC 60+6AG POWER RECEPTACLE HOUSING (BLACK) PART NUMBER 850840700 PER 850840700 PSD
 - APPLICATION SPECIFICATION: 850830010 PSA
 - FLANGE GASKET OPTION: REFER TO 850710017 PSD
 - SUGGESTED DIMENSIONS FOR FLAT PLATE. CUSTOMER SHOULD VERIFY FIT IN THEIR OWN APPLICATION. ALL DIMENSIONS SYMMETRIC ABOUT CENTRE LINES
 - CLEARANCE FOR M4 COUNTERSUNK HEADS RECOMMENDED IN THESE HOLES

ACCEPTABLE CABLE INSULATION Ø RANGES (mm) - NOTES 3 & 4						
CAVITY SET						
G	F	E	D	C	B	A
3.0 - 5.0	1.5 - 2.7	1.5 - 2.7	1.5 - 2.7	1.5 - 2.7	1.5 - 2.7	3.0 - 5.0

No.	DESCRIPTION	QTY	COLOUR
4	MALE BACK SEAL	1	RUST RED
3	MALE REAR COVER	1	BLACK
2	MALE FRONT COVER	1	GREEN
1	MALE HOUSING	1	BLACK

BILL OF MATERIAL



THIS DRAWING CONTAINS INFORMATION THAT IS PROPRIETARY TO MOLEX ELECTRONIC TECHNOLOGIES, LLC AND SHOULD NOT BE USED WITHOUT WRITTEN PERMISSION

DIMENSION UNITS	SCALE	CURRENT REV DESC: UPDATED CUT OUT	
mm	1:1		
GENERAL TOLERANCES (UNLESS SPECIFIED)			
ANGULAR TOL	±	°	
4 PLACES	±		
3 PLACES	±		
2 PLACES	±	0.2	
1 PLACE	±	0.5	
0 PLACES	±		
DRAFT WHERE APPLICABLE MUST REMAIN WITHIN DIMENSIONS		THIRD ANGLE PROJECTION	DRAWING
		SERIES	93792
		MATERIAL NUMBER	937926006
		CUSTOMER	GENERAL MARKET
		SHEET NUMBER	1 OF 16

EC NO: 616515
 DRWN: AJOBRIEN 2018/05/21
 CHK'D: JFLETCHER 2019/05/07
 APPR: IOCONNELL 2019/06/26

INITIAL REVISION:
 DRWN: AJOBRIEN 2015/08/07
 APPR: JDWALLACE 2015/09/03

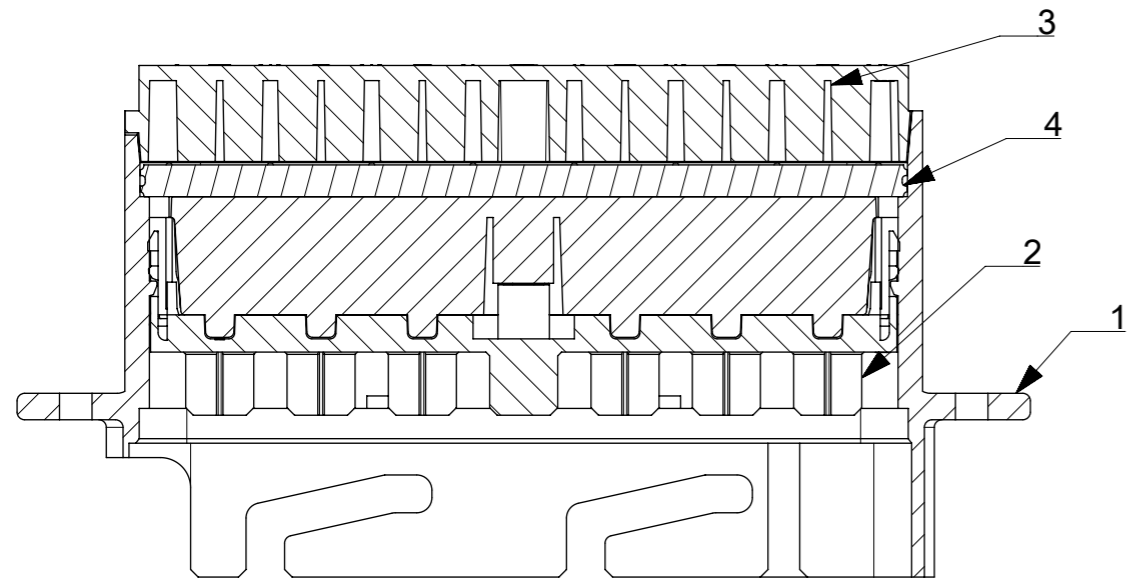
molex

SRC MIXED POWER MALE BLADE HOUSING ASSEMBLY

PRODUCT CUSTOMER DRAWING

DOCUMENT NUMBER: 937921000
 DOC TYPE: PSD
 DOC PART: 000
 REVISION: C

72+2D MAIN HOUSING BLACK



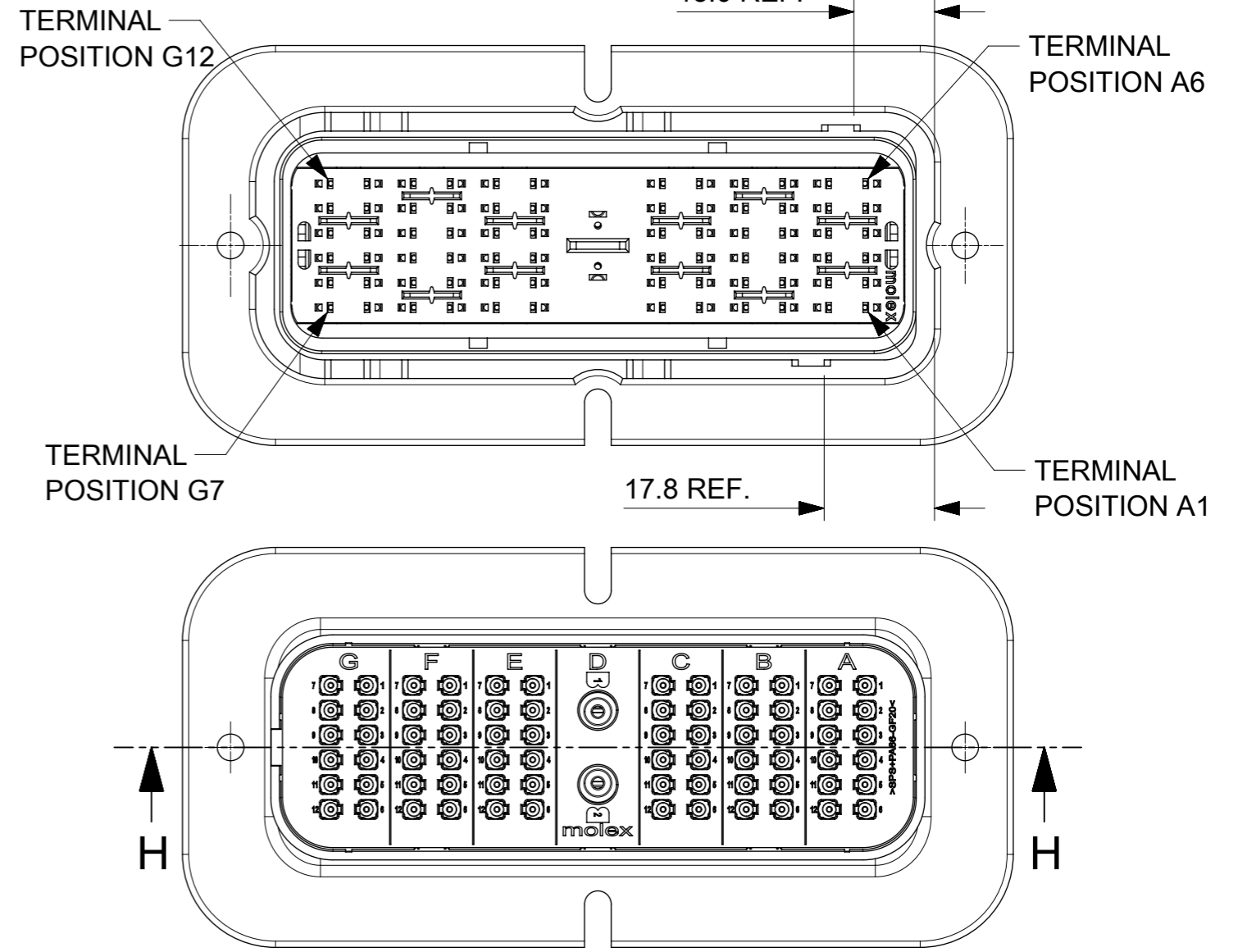
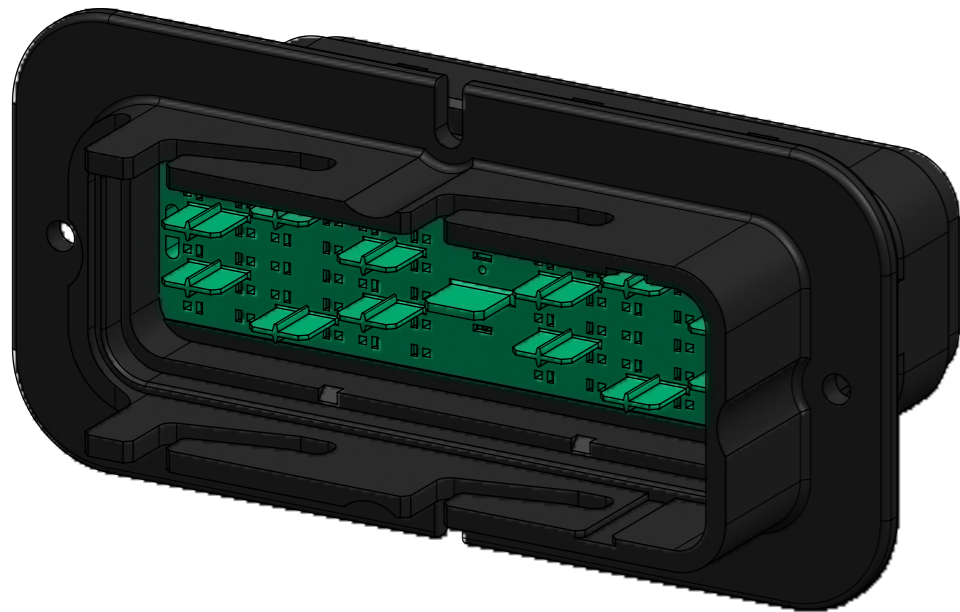
SECTION H-H

ACCEPTABLE CABLE INSULATION Ø RANGES (mm) - NOTES 2 & 3

CAVITY SET

G	F	E	D	C	B	A
1.5 - 2.7	1.5 - 2.7	1.5 - 2.7	3.0 - 5.0	1.5 - 2.7	1.5 - 2.7	1.5 - 2.7

4	MALE BACK SEAL	1	RUST RED
3	MALE REAR COVER	1	BLACK
2	MALE FRONT COVER	1	GREEN
1	MALE HOUSING	1	BLACK
No.	DESCRIPTION	QTY	COLOUR
BILL OF MATERIAL			

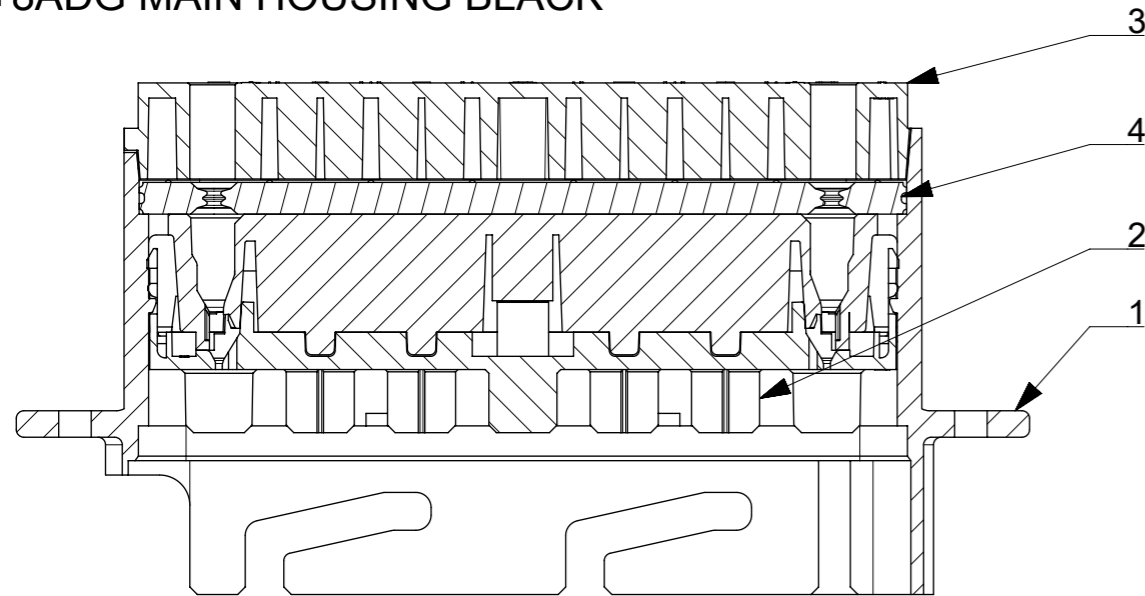


NOTES:

1. REFERENCE SHEET 1 FOR UNSPECIFIED NOTES AND DIMENSIONS
2. MX150 BLADE TERMINALS PER SD-33000-001 TO BE USED WITH THIS ASSEMBLY IN CAVITIES A, B, C, E, F AND G, CRIMPED WITH CABLE INSULATION OUTER DIAMETER IN THE RANGE 1.5mm TO 2.7mm
3. MX150L BLADE TERMINALS PER SD-19431-00* TO BE USED WITH THIS ASSEMBLY IN CAVITY D CRIMPED WITH CABLE INSULATION OUTER DIAMETER IN THE RANGE 3.0mm TO 5.0mm
4. MATES WITH: SRC 72+2D POWER RECEPTACLE HOUSING ASSEMBLY (BLACK) PART NUMBER 850847202 PER 850840700 PSD

DIMENSION UNITS		SCALE	CURRENT REV DESC: UPDATED CUT OUT					
mm		1:1						
GENERAL TOLERANCES (UNLESS SPECIFIED)			EC NO: 616515			SRC MIXED POWER MALE BLADE HOUSING ASSEMBLY		
ANGULAR TOL ± °			DRWN: AJOBRIEN 2018/05/21			PRODUCT CUSTOMER DRAWING		
4 PLACES ±			CHK'D: JFLETCHER 2019/05/07			DOCUMENT NUMBER		
3 PLACES ±			APPR: IOCONNELL 2019/06/26			937921000		
2 PLACES ± 0.2			INITIAL REVISION:			DOC TYPE		
1 PLACE ± 0.5			DRWN: AJOBRIEN 2015/08/07			PSD		
0 PLACES ±			APPR: JDWALLACE 2015/09/03			DOC PART		
DRAFT WHERE APPLICABLE MUST REMAIN WITHIN DIMENSIONS			THIRD ANGLE PROJECTION			REVISION		
			DRAWING			000 C		
			SERIES			SHEET NUMBER		
			A3-SIZE 93792			2 OF 16		
			MATERIAL NUMBER			CUSTOMER		
			937927202			GENERAL MARKET		

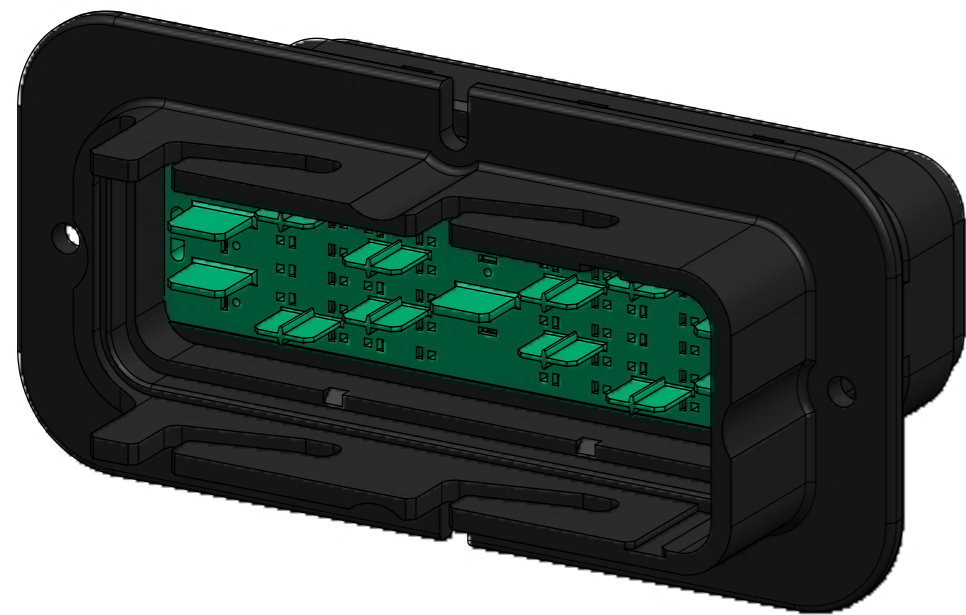
48+8ADG MAIN HOUSING BLACK



SECTION J-J

ACCEPTABLE CABLE INSULATION Ø RANGES (mm) - NOTES 2 & 3						
CAVITY SET						
G	F	E	D	C	B	A
3.0 - 5.0	1.5 - 2.7	1.5 - 2.7	3.0 - 5.0	1.5 - 2.7	1.5 - 2.7	3.0 - 5.0

No.	DESCRIPTION	QTY	COLOUR
4	MALE BACK SEAL	1	RUST RED
3	MALE REAR COVER	1	BLACK
2	MALE FRONT COVER	1	GREEN
1	MALE HOUSING	1	BLACK
BILL OF MATERIAL			



TERMINAL POSITION G3

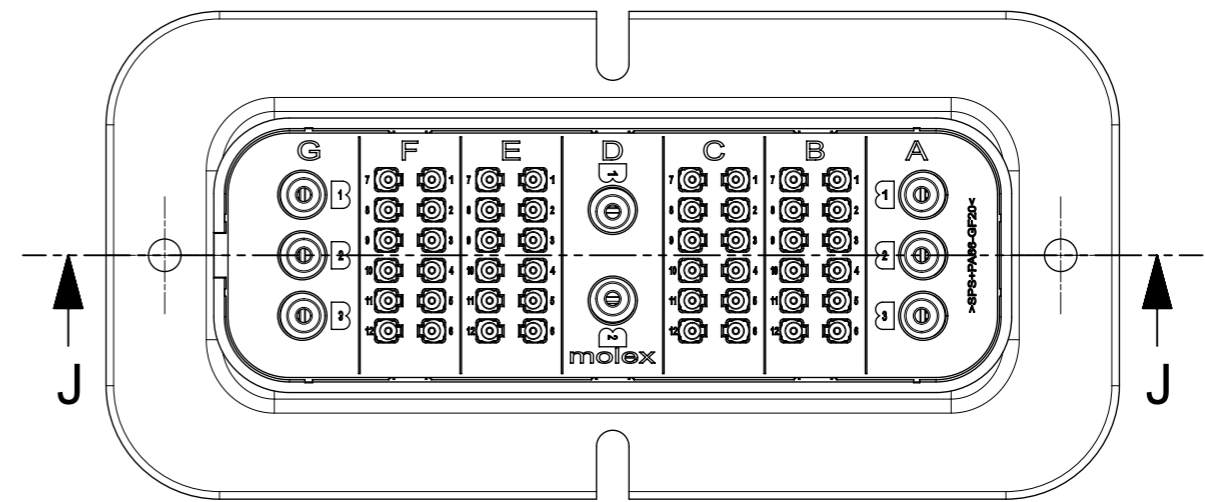
17.8 REF.

TERMINAL POSITION A3

TERMINAL POSITION G1

11.0 REF.

TERMINAL POSITION A1

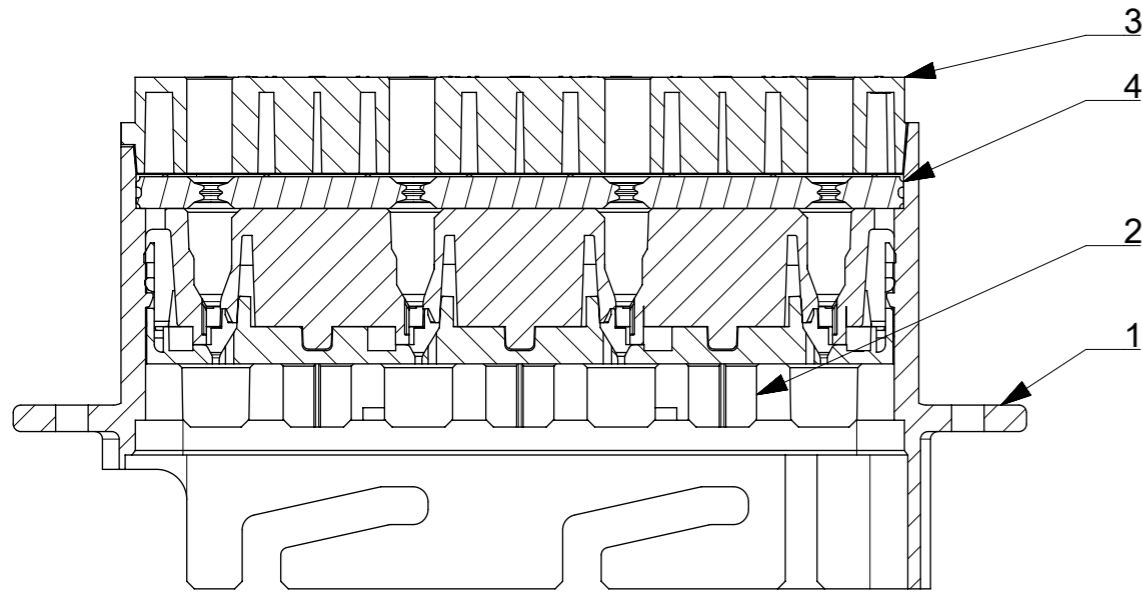


NOTES:

1. REFERENCE SHEET 1 FOR UNSPECIFIED NOTES AND DIMENSIONS
2. MX150 BLADE TERMINALS PER SD-33000-001 TO BE USED WITH THIS ASSEMBLY IN CAVITIES B, C, E AND F, CRIMPED WITH CABLE INSULATION OUTER DIAMETER IN THE RANGE 1.5mm TO 2.7mm
3. MX150L BLADE TERMINALS PER SD-19431-00* TO BE USED WITH THIS ASSEMBLY IN CAVITIES A, D AND G, CRIMPED WITH CABLE INSULATION OUTER DIAMETER IN THE RANGE 3.0mm TO 5.0mm
4. MATES WITH: SRC 48+8ADG POWER RECEPTACLE HOUSING ASSEMBLY (BLACK) PART NUMBER 850844808 PER 850840700 PSD

THIS DRAWING CONTAINS INFORMATION THAT IS PROPRIETARY TO MOLEX ELECTRONIC TECHNOLOGIES, LLC AND SHOULD NOT BE USED WITHOUT WRITTEN PERMISSION											
DIMENSION UNITS		SCALE		CURRENT REV DESC: UPDATED CUT OUT							
mm		1:1									
GENERAL TOLERANCES (UNLESS SPECIFIED)											
ANGULAR TOL ± °				EC NO: 616515 DRWN: AJOBRIEN 2018/05/21 CHK'D: JFLETCHER 2019/05/07 APPR: IOCONNELL 2019/06/26							
4 PLACES ±				INITIAL REVISION: DRWN: AJOBRIEN 2015/08/07 APPR: JDWALLACE 2015/09/03							
3 PLACES ±											
2 PLACES ± 0.2				PRODUCT CUSTOMER DRAWING							
1 PLACE ± 0.5				DOCUMENT NUMBER		DOC TYPE		DOC PART		REVISION	
0 PLACES ±				937921000		PSD		000		C	
DRAFT WHERE APPLICABLE MUST REMAIN WITHIN DIMENSIONS				THIRD ANGLE PROJECTION		DRAWING		SERIES		MATERIAL NUMBER	
						A3-SIZE		93792		937924808	
						CUSTOMER		GENERAL MARKET		SHEET NUMBER	
										3 OF 16	

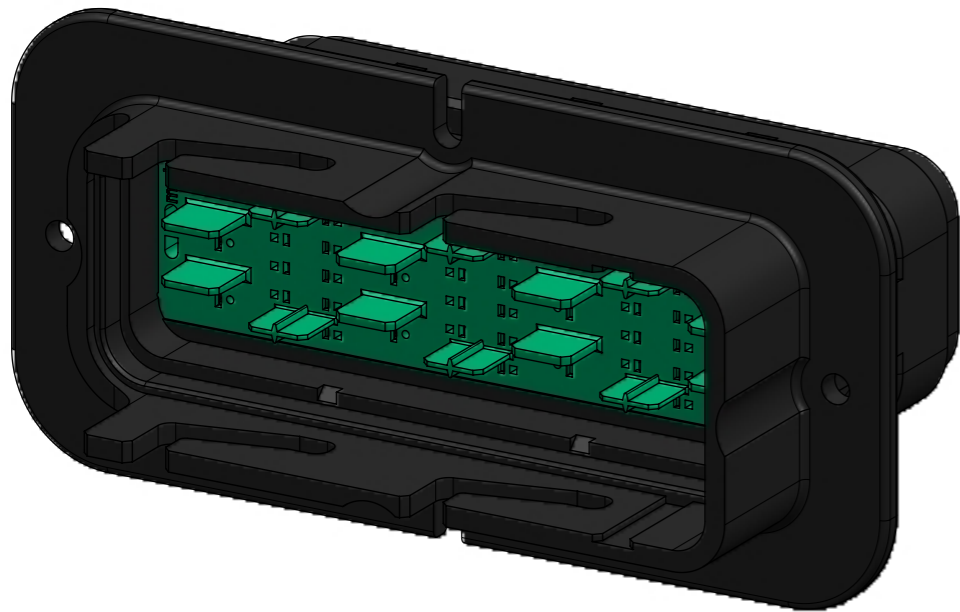
36+12ACEG MAIN HOUSING BLACK



SECTION K-K

ACCEPTABLE CABLE INSULATION Ø RANGES (mm) - NOTES 2 & 3						
CAVITY SET						
G	F	E	D	C	B	A
3.0 - 5.0	1.5 - 2.7	3.0 - 5.0	1.5 - 2.7	3.0 - 5.0	1.5 - 2.7	3.0 - 5.0

4	MALE BACK SEAL	1	RUST RED
3	MALE REAR COVER	1	BLACK
2	MALE FRONT COVER	1	GREEN
1	MALE HOUSING	1	BLACK
No.	DESCRIPTION	QTY	COLOUR
BILL OF MATERIAL			



TERMINAL POSITION G3

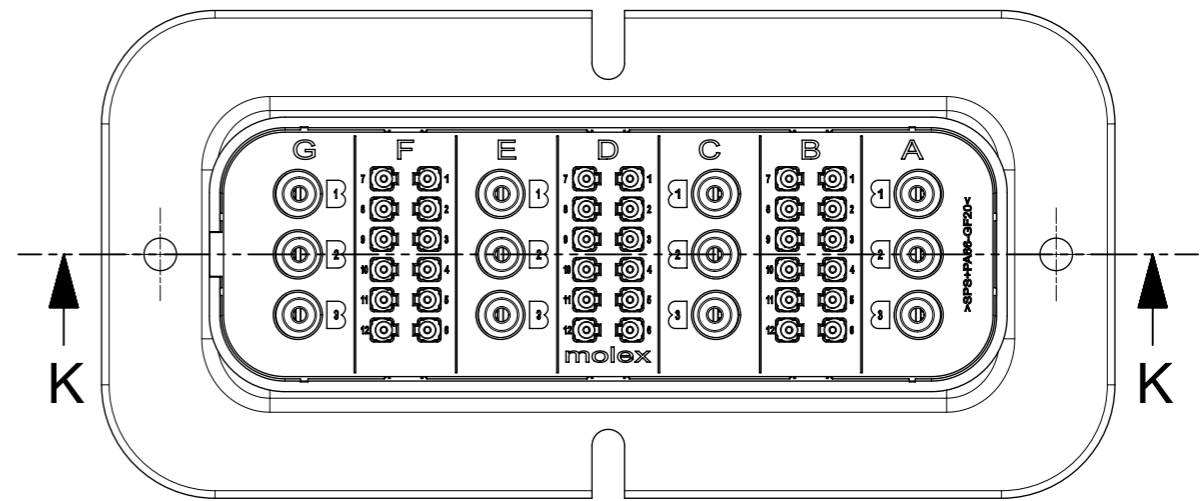
TERMINAL POSITION G1

15.0 REF.

TERMINAL POSITION A3

TERMINAL POSITION A1

15.0 REF.

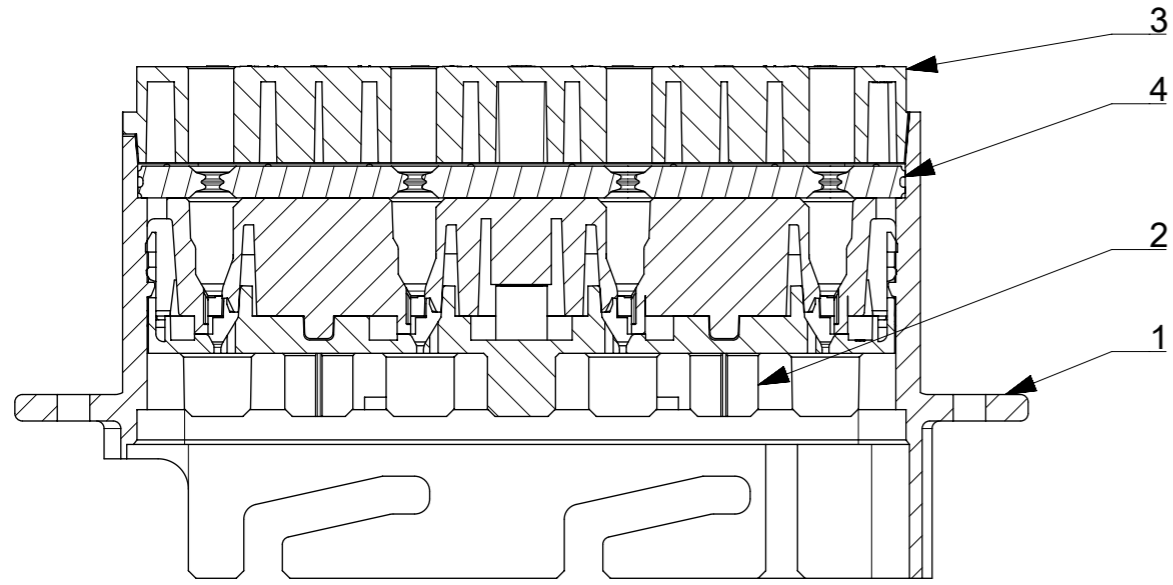


NOTES:

1. REFERENCE SHEET 1 FOR UNSPECIFIED NOTES AND DIMENSIONS
2. MX150 BLADE TERMINALS PER SD-33000-001 TO BE USED WITH THIS ASSEMBLY IN CAVITIES B, D AND F, CRIMPED WITH CABLE INSULATION OUTER DIAMETER IN THE RANGE 1.5mm TO 2.7mm
3. MX150L BLADE TERMINALS PER SD-19431-00* TO BE USED WITH THIS ASSEMBLY IN CAVITIES A, C, E AND G, CRIMPED WITH CABLE INSULATION OUTER DIAMETER IN THE RANGE 3.0mm TO 5.0mm
4. MATES WITH: SRC 36+12ACEG POWER RECEPTACLE HOUSING ASSEMBLY (BLACK) PART NUMBER 850843612 PER 850840700 PSD

THIS DRAWING CONTAINS INFORMATION THAT IS PROPRIETARY TO MOLEX ELECTRONIC TECHNOLOGIES, LLC AND SHOULD NOT BE USED WITHOUT WRITTEN PERMISSION		CURRENT REV DESC: UPDATED CUT OUT		molex			
DIMENSION UNITS	SCALE			SRC MIXED POWER MALE BLADE HOUSING ASSEMBLY			
mm	1:1						
GENERAL TOLERANCES (UNLESS SPECIFIED)		EC NO: 616515		PRODUCT CUSTOMER DRAWING			
ANGULAR TOL ± °		DRWN: AJOBRIEN 2018/05/21					
4 PLACES ±		CHK'D: JFLETCHER 2019/05/07		DOCUMENT NUMBER: 937921000			
3 PLACES ±		APPR: IOCONNELL 2019/06/26					
2 PLACES ± 0.2		INITIAL REVISION:		DOC TYPE: PSD			
1 PLACE ± 0.5		DRWN: AJOBRIEN 2015/08/07					
0 PLACES ±		APPR: JDWALLACE 2015/09/03		DOC PART: 000			
DRAFT WHERE APPLICABLE MUST REMAIN WITHIN DIMENSIONS		THIRD ANGLE PROJECTION					
		DRAWING: A3-SIZE		REVISION: C			
		SERIES: 93792					
		MATERIAL NUMBER: 937923612		SHEET NUMBER: 4 OF 16			
		CUSTOMER: GENERAL MARKET					

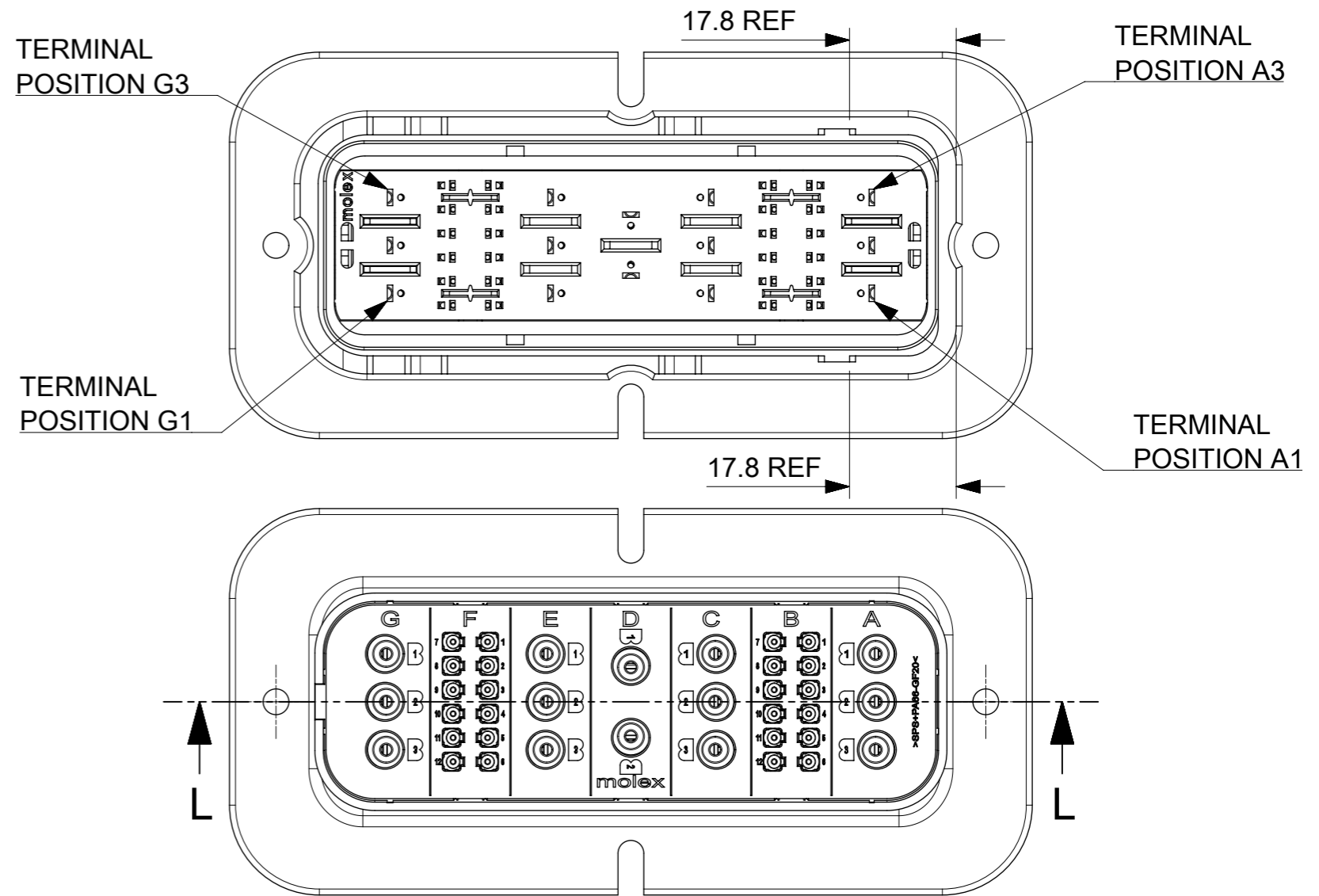
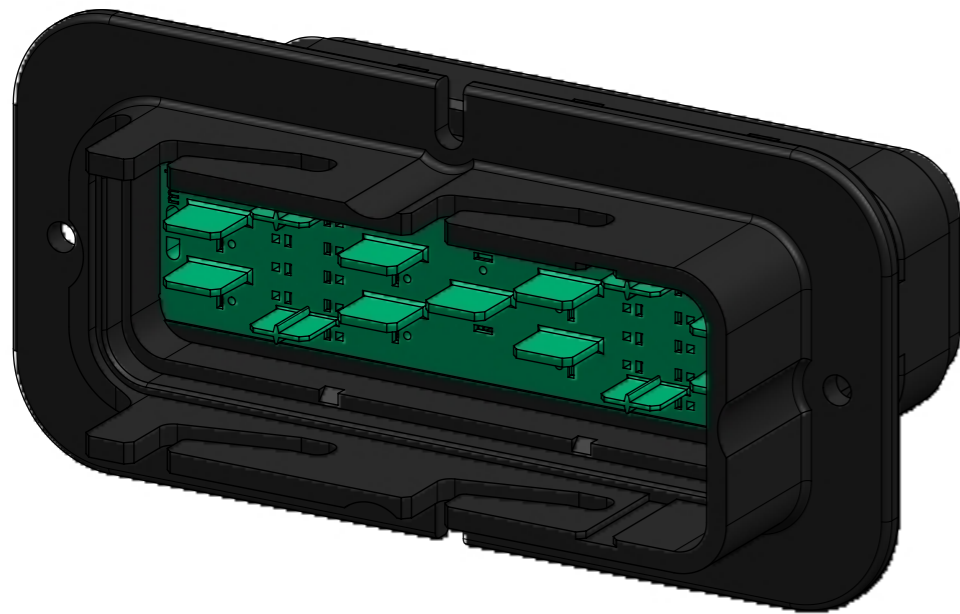
24+14ACDEG MAIN HOUSING BLACK



SECTION L-L

ACCEPTABLE CABLE INSULATION Ø RANGES (mm) - NOTES 2 & 3						
CAVITY SET						
G	F	E	D	C	B	A
3.0 - 5.0	1.5 - 2.7	3.0 - 5.0	3.0 - 5.0	3.0 - 5.0	1.5 - 2.7	3.0 - 5.0

4	MALE BACK SEAL	1	RUST RED
3	MALE REAR COVER	1	BLACK
2	MALE FRONT COVER	1	GREEN
1	MALE HOUSING	1	BLACK
No.	DESCRIPTION	QTY	COLOUR
BILL OF MATERIAL			

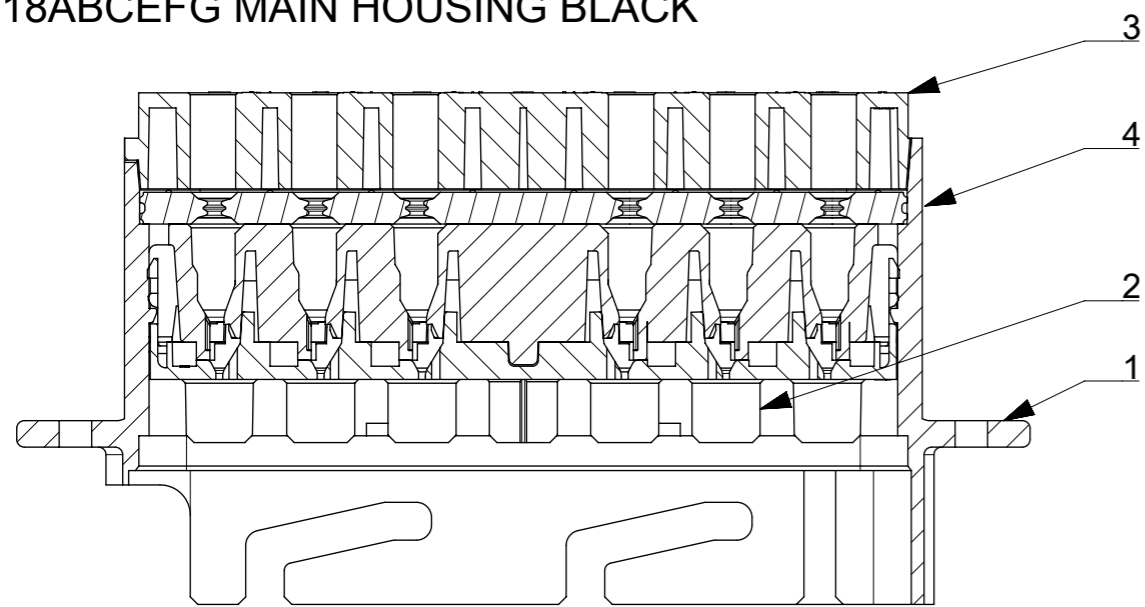


NOTES:

1. REFERENCE SHEET 1 FOR UNSPECIFIED NOTES AND DIMENSIONS
2. MX150 BLADE TERMINALS PER SD-33000-001 TO BE USED WITH THIS ASSEMBLY IN CAVITIES B AND F, CRIMPED WITH CABLE INSULATION OUTER DIAMETER IN THE RANGE 1.5mm TO 2.7mm
3. MX150L BLADE TERMINALS PER SD-19431-00* TO BE USED WITH THIS ASSEMBLY IN CAVITIES A, C, D, E AND G, CRIMPED WITH CABLE INSULATION OUTER DIAMETER IN THE RANGE 3.0mm TO 5.0mm
4. MATES WITH: SRC 24+14ACDEG POWER RECEPTACLE HOUSING ASSEMBLY (BLACK) PART NUMBER 850842414 PER 850840700 PSD

THIS DRAWING CONTAINS INFORMATION THAT IS PROPRIETARY TO MOLEX ELECTRONIC TECHNOLOGIES, LLC AND SHOULD NOT BE USED WITHOUT WRITTEN PERMISSION									
DIMENSION UNITS		SCALE		CURRENT REV DESC: UPDATED CUT OUT				molex	
mm		1:1							
GENERAL TOLERANCES (UNLESS SPECIFIED)				SRC MIXED POWER MALE BLADE HOUSING ASSEMBLY					
ANGULAR TOL ± °				PRODUCT CUSTOMER DRAWING					
4 PLACES ±				EC NO: 616515		2018/05/21		DOCUMENT NUMBER	
3 PLACES ±				DRWN: AJOBRIEN		2019/05/07		937921000	
2 PLACES ± 0.2				CHK'D: JFLETCHER		2019/06/26		DOC TYPE DOC PART REVISION	
1 PLACE ± 0.5				APPR: IOCONNELL		2019/06/26		PSD 000 C	
0 PLACES ±				INITIAL REVISION:					
DRAFT WHERE APPLICABLE MUST REMAIN WITHIN DIMENSIONS				DRWN: AJOBRIEN		2015/08/07		MATERIAL NUMBER	
THIRD ANGLE PROJECTION				APPR: JDWALLACE		2015/09/03		937922414	
DRAWING				SERIES		CUSTOMER		SHEET NUMBER	
A3-SIZE				93792		GENERAL MARKET		5 OF 16	

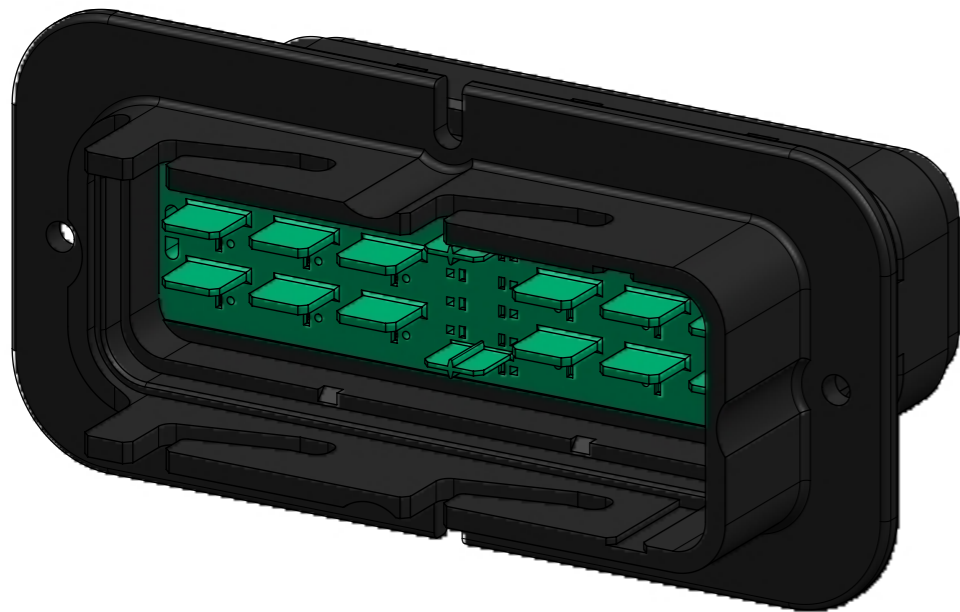
12+18ABCEFG MAIN HOUSING BLACK



SECTION M-M

ACCEPTABLE CABLE INSULATION Ø RANGES (mm) - NOTES 2 & 3						
CAVITY SET						
G	F	E	D	C	B	A
3.0 - 5.0	3.0 - 5.0	3.0 - 5.0	1.5 - 2.7	3.0 - 5.0	3.0 - 5.0	3.0 - 5.0

No.	DESCRIPTION	QTY	COLOUR
4	MALE BACK SEAL	1	RUST RED
3	MALE REAR COVER	1	BLACK
2	MALE FRONT COVER	1	GREEN
1	MALE HOUSING	1	BLACK
BILL OF MATERIAL			



TERMINAL POSITION G3

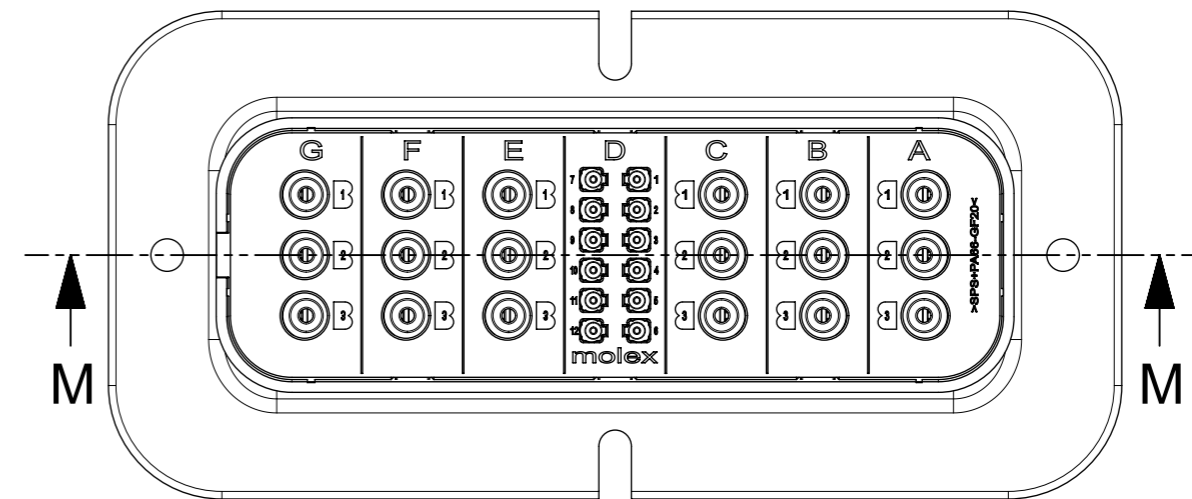
TERMINAL POSITION G1

15.0 REF

13.0 REF

TERMINAL POSITION A3

TERMINAL POSITION A1

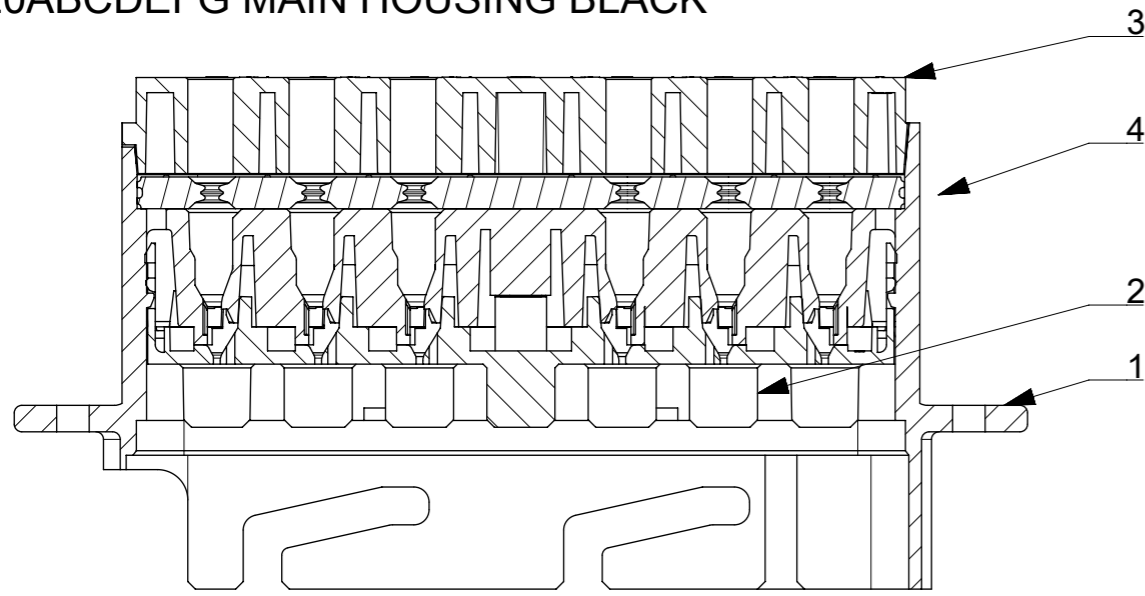


NOTES:

1. REFERENCE SHEET 1 FOR UNSPECIFIED NOTES AND DIMENSIONS
2. MX150 BLADE TERMINALS PER SD-33000-001 TO BE USED WITH THIS ASSEMBLY IN CAVITY D CRIMPED, WITH CABLE INSULATION OUTER DIAMETER IN THE RANGE 1.5mm TO 2.7mm
3. MX150L BLADE TERMINALS PER SD-19431-00* TO BE USED WITH THIS ASSEMBLY IN CAVITY A, B, C, E, F AND G, CRIMPED WITH CABLE INSULATION OUTER DIAMETER IN THE RANGE 3.0mm TO 5.0mm
4. MATES WITH: SRC 12+18ABCEFG POWER RECEPTACLE HOUSING ASSEMBLY (BLACK) PART NUMBER 850841218 PER 850840700 PSD

THIS DRAWING CONTAINS INFORMATION THAT IS PROPRIETARY TO MOLEX ELECTRONIC TECHNOLOGIES, LLC AND SHOULD NOT BE USED WITHOUT WRITTEN PERMISSION		CURRENT REV DESC: UPDATED CUT OUT		molex		
DIMENSION UNITS	SCALE					
mm	1:1			SRC MIXED POWER MALE BLADE HOUSING ASSEMBLY		
GENERAL TOLERANCES (UNLESS SPECIFIED)						
ANGULAR TOL	± °			PRODUCT CUSTOMER DRAWING		
4 PLACES	±					
3 PLACES	±			DOCUMENT NUMBER: 937921000 DOC TYPE: PSD DOC PART: 000 REVISION: C		
2 PLACES	± 0.2					
1 PLACE	± 0.5			MATERIAL NUMBER: 937921218 CUSTOMER: GENERAL MARKET SHEET NUMBER: 6 OF 16		
0 PLACES	±					
DRAFT WHERE APPLICABLE MUST REMAIN WITHIN DIMENSIONS		THIRD ANGLE PROJECTION	DRAWING	SERIES		
			A3-SIZE	93792		

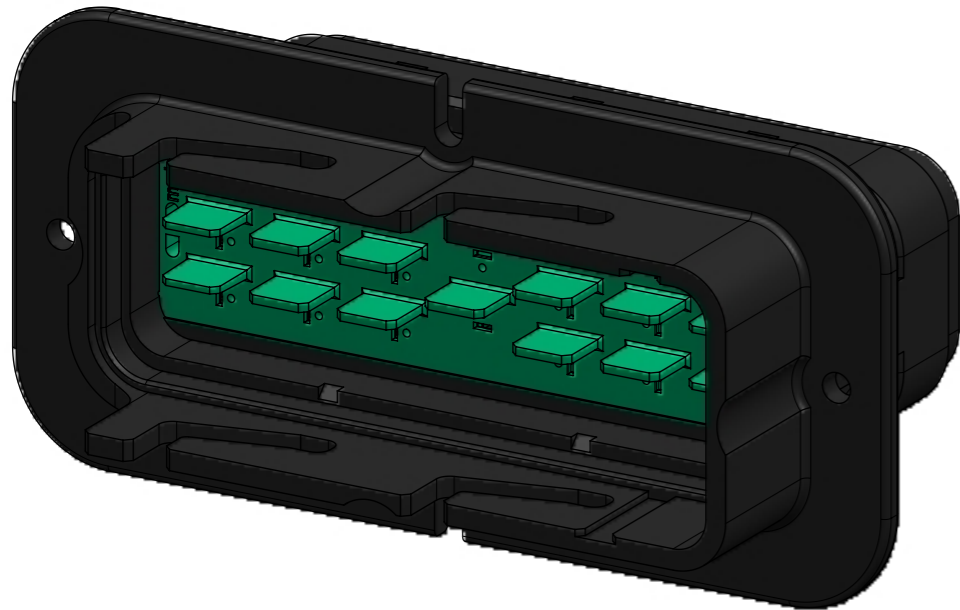
0+20ABCDEFG main HOUSING BLACK



SECTION N-N

ACCEPTABLE CABLE INSULATION Ø RANGES (mm) - NOTE 2						
CAVITY SET						
G	F	E	D	C	B	A
3.0 - 5.0	3.0 - 5.0	3.0 - 5.0	3.0 - 5.0	3.0 - 5.0	3.0 - 5.0	3.0 - 5.0

4	MALE BACK SEAL	1	RUST RED
3	MALE REAR COVER	1	BLACK
2	MALE FRONT COVER	1	GREEN
1	MALE HOUSING	1	BLACK
No.	DESCRIPTION	QTY	COLOUR
BILL OF MATERIAL			



TERMINAL POSITION G3

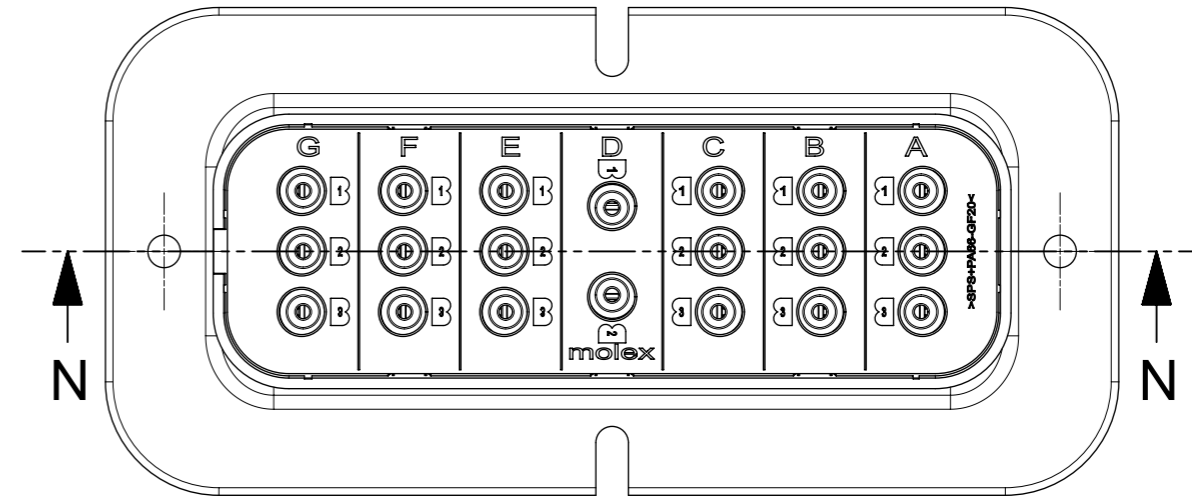
TERMINAL POSITION G1

11.00 REF

TERMINAL POSITION A3

TERMINAL POSITION A1

17.80 REF

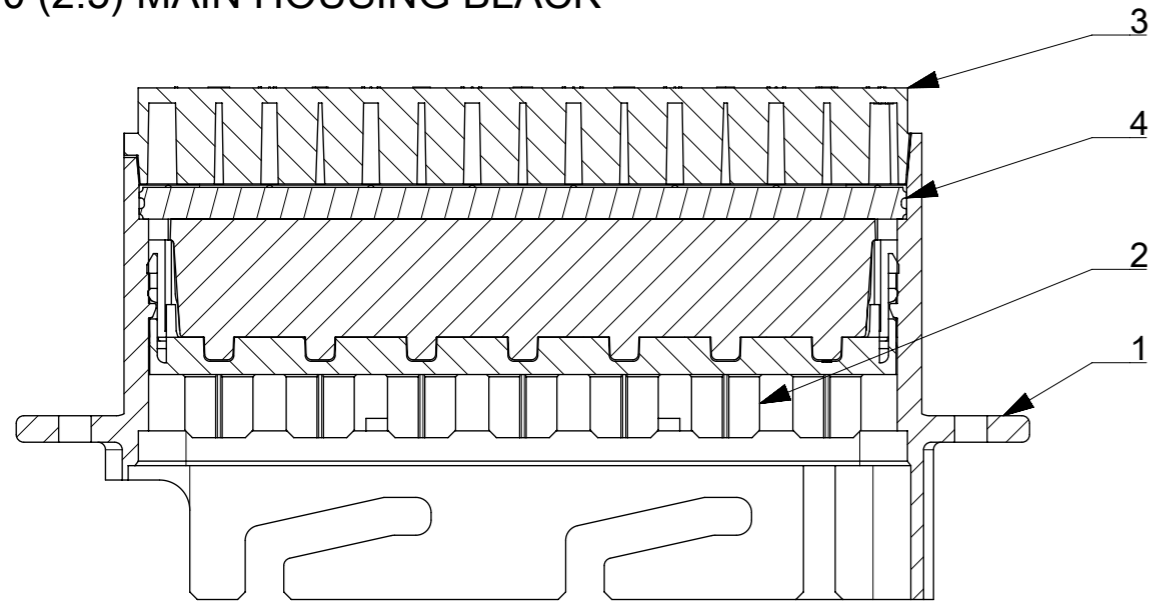


NOTES:

1. REFERENCE SHEET 1 FOR UNSPECIFIED NOTES AND DIMENSIONS
2. MX150L BLADE TERMINALS PER SD-19431-00* TO BE USED WITH THIS ASSEMBLY IN ALL CAVITIES CRIMPED WITH CABLE INSULATION OUTER DIAMETER IN THE RANGE 3.0mm TO 5.0mm
3. MATES WITH: SRC 0+20ABCDEFG POWER RECEPTACLE HOUSING ASSEMBLY (BLACK) PART NUMBER 850840020 PER 850840700 PSD

THIS DRAWING CONTAINS INFORMATION THAT IS PROPRIETARY TO MOLEX ELECTRONIC TECHNOLOGIES, LLC AND SHOULD NOT BE USED WITHOUT WRITTEN PERMISSION									
DIMENSION UNITS		SCALE		CURRENT REV DESC: UPDATED CUT OUT				molex	
mm		1:1							
GENERAL TOLERANCES (UNLESS SPECIFIED)				SRC MIXED POWER MALE BLADE HOUSING ASSEMBLY					
ANGULAR TOL ± °				EC NO: 616515				PRODUCT CUSTOMER DRAWING	
4 PLACES ±				DRWN: AJOBRIEN		2018/05/21		DOCUMENT NUMBER	
3 PLACES ±				CHK'D: JFLETCHER		2019/05/07		937921000	
2 PLACES ± 0.2				APPR: IOCONNELL		2019/06/26		DOC TYPE DOC PART REVISION	
1 PLACE ± 0.5				INITIAL REVISION:		2015/08/07		PSD 000 C	
0 PLACES ±				DRWN: AJOBRIEN		2015/09/03			
DRAFT WHERE APPLICABLE MUST REMAIN WITHIN DIMENSIONS				THIRD ANGLE PROJECTION		DRAWING		MATERIAL NUMBER	
				A3-SIZE		SERIES		CUSTOMER	
				93792		937920020		GENERAL MARKET	
						SHEET NUMBER		7 OF 16	

84+0 (2.5) MAIN HOUSING BLACK



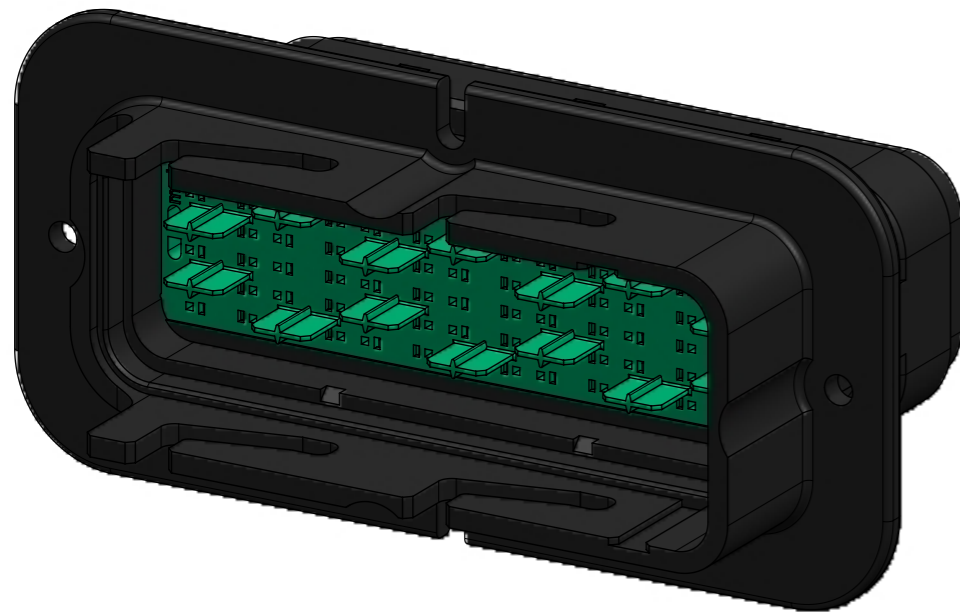
SECTION P-P

ACCEPTABLE CABLE INSULATION Ø RANGES (mm) - NOTES 2 & 3
(COMBINATIONS OF CABLES PER NOTES 2 & 3 ALLOWED IN B & F)

CAVITY SET

G	F	E	D	C	B	A
1.5 - 2.7	1.5 - 3.0	1.5 - 2.7	1.5 - 2.7	1.5 - 2.7	1.5 - 3.0	1.5 - 2.7

No.	DESCRIPTION	QTY	COLOUR
4	MALE BACK SEAL	1	RUST RED
3	MALE REAR COVER	1	BLACK
2	MALE FRONT COVER	1	GREEN
1	MALE HOUSING	1	BLACK
BILL OF MATERIAL			



TERMINAL POSITION G12

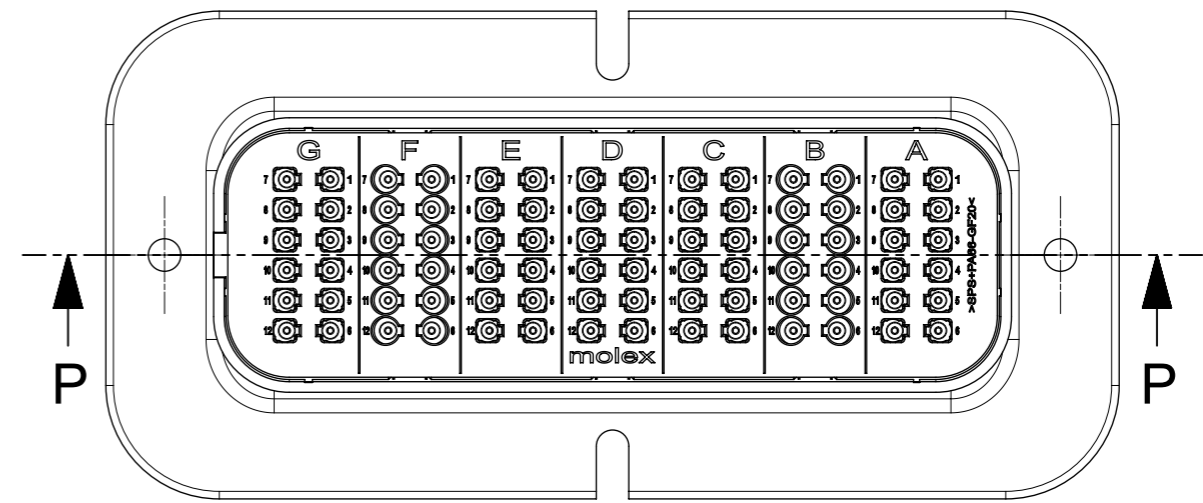
TERMINAL POSITION G7

17.8 REF

13.0 REF

TERMINAL POSITION A6

TERMINAL POSITION A1

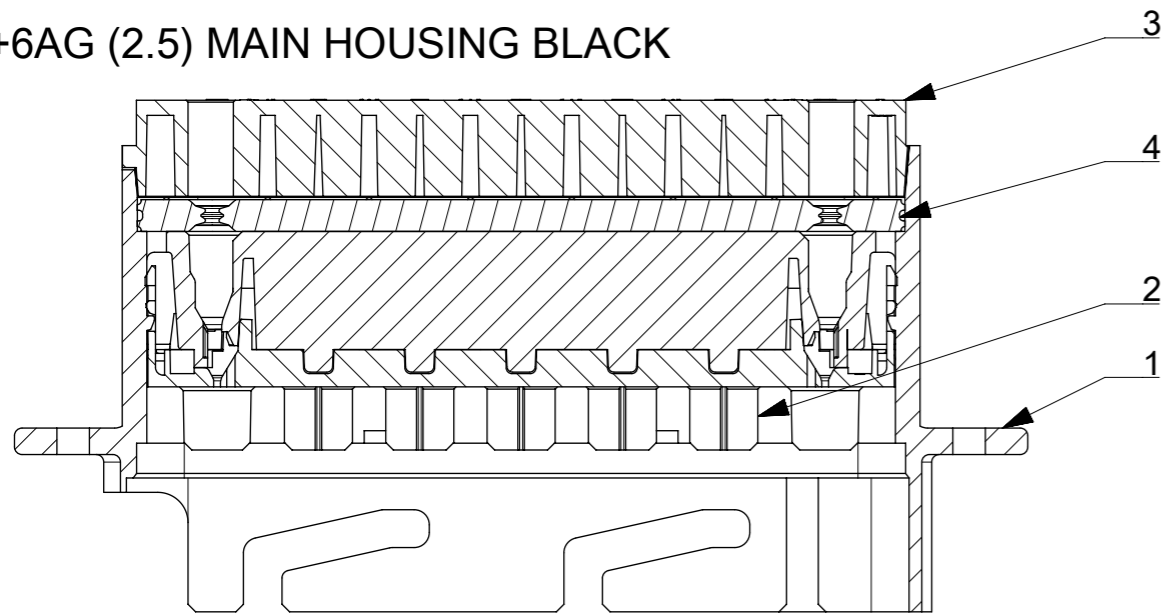


NOTES:

1. REFERENCE SHEET ONE FOR UNSPECIFIED NOTES AND DIMENSIONS
2. MX150 BLADE TERMINAL PER SD-33000-001 TO BE USED WITH THIS ASSEMBLY IN ALL CAVITIES, CRIMPED WITH CABLE INSULATION OUTER DIAMETER IN THE RANGE 1.5mm TO 2.7mm
3. SRC BLADE TERMINALS PER 936420010 PSD MAY BE USED WITH THIS ASSEMBLY IN CAVITIES B AND F CRIMPED WITH 2.5mm² (13AWG) CABLE INSULATION OUTER DIAMETER IN THE RANGE 2.7mm TO 3.0mm
4. MATES WITH: SRC2 84 PIN 2.5 RECEPTACLE HOUSING ASSEMBLY (BLACK) PART NUMBER 932878425 PER 932870001 PSD

THIS DRAWING CONTAINS INFORMATION THAT IS PROPRIETARY TO MOLEX ELECTRONIC TECHNOLOGIES, LLC AND SHOULD NOT BE USED WITHOUT WRITTEN PERMISSION		CURRENT REV DESC: UPDATED CUT OUT		molex	
DIMENSION UNITS	SCALE	EC NO: 616515			
mm	1:1	DRWN: AJOBRIEN 2018/05/21		SRC MIXED POWER MALE BLADE HOUSING ASSEMBLY	
GENERAL TOLERANCES (UNLESS SPECIFIED)		CHK'D: JFLETCHER 2019/05/07			
ANGULAR TOL	± °	APPR: IOCONNELL 2019/06/26		PRODUCT CUSTOMER DRAWING	
4 PLACES	±	INITIAL REVISION:			
3 PLACES	±	DRWN: AJOBRIEN 2015/08/07		DOCUMENT NUMBER	
2 PLACES	± 0.2	APPR: JDWALLACE 2015/09/03			
1 PLACE	± 0.5	DRAFT WHERE APPLICABLE MUST REMAIN WITHIN DIMENSIONS		DOC TYPE	
0 PLACES	±	THIRD ANGLE PROJECTION			
THIRD ANGLE PROJECTION		DRAWING		DOC PART	
DRAWING		SERIES			
A3-SIZE		93792		C	
MATERIAL NUMBER		CUSTOMER			
937928425		GENERAL MARKET			

60+6AG (2.5) MAIN HOUSING BLACK

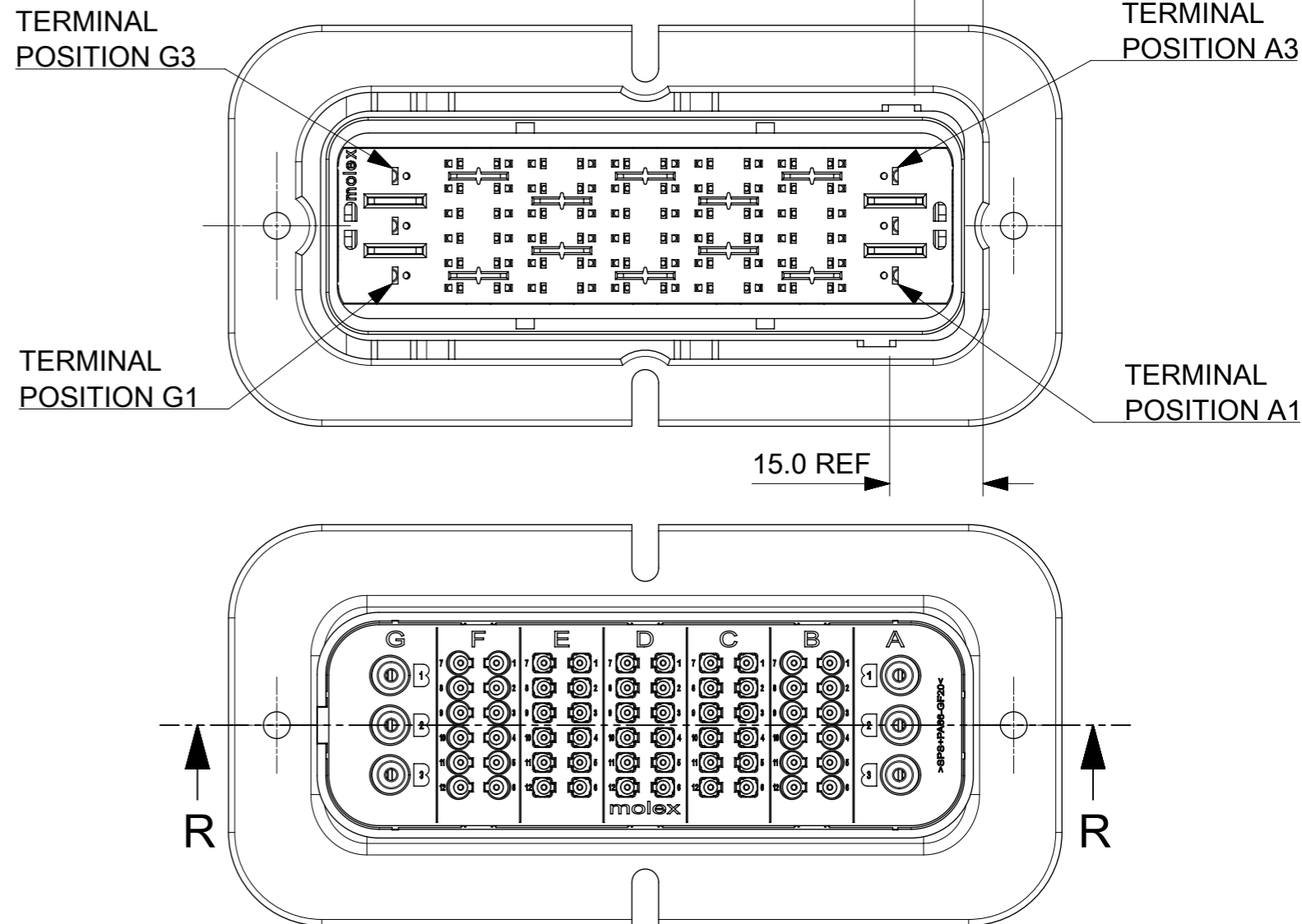
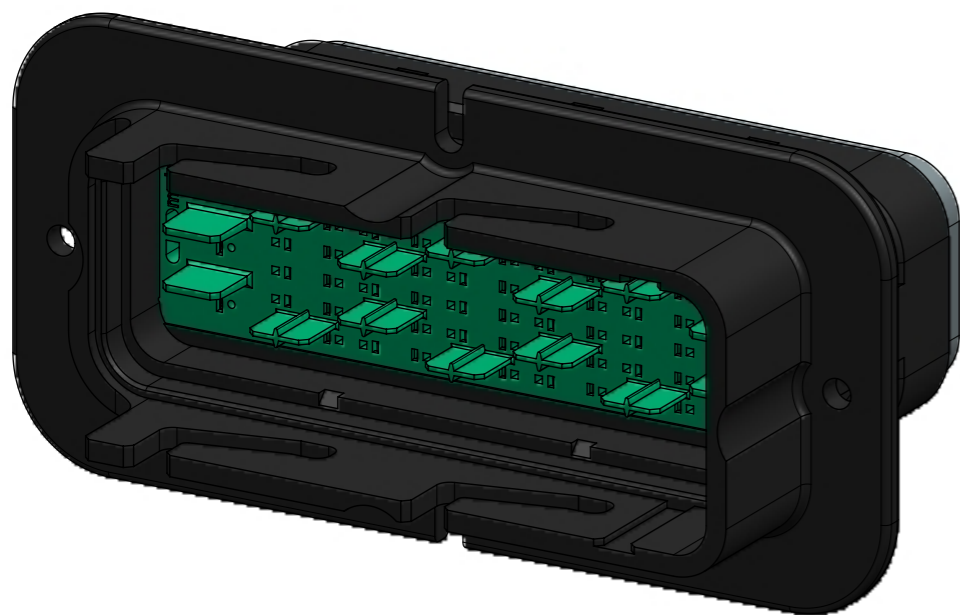


SECTION R-R

ACCEPTABLE CABLE INSULATION Ø RANGES (mm) - NOTES 2, 3 & 4
(COMBINATIONS OF CABLES PER NOTES 2 & 3 ALLOWED IN B & F)

CAVITY SET						
G	F	E	D	C	B	A
3.0 - 5.0	1.5 - 3.0	1.5 - 2.7	1.5 - 2.7	1.5 - 2.7	1.5 - 3.0	3.0 - 5.0

No.	DESCRIPTION	QTY	COLOUR
4	MALE BACK SEAL	1	RUST RED
3	MALE REAR COVER	1	BLACK
2	MALE FRONT COVER	1	GREEN
1	MALE HOUSING	1	BLACK
BILL OF MATERIAL			

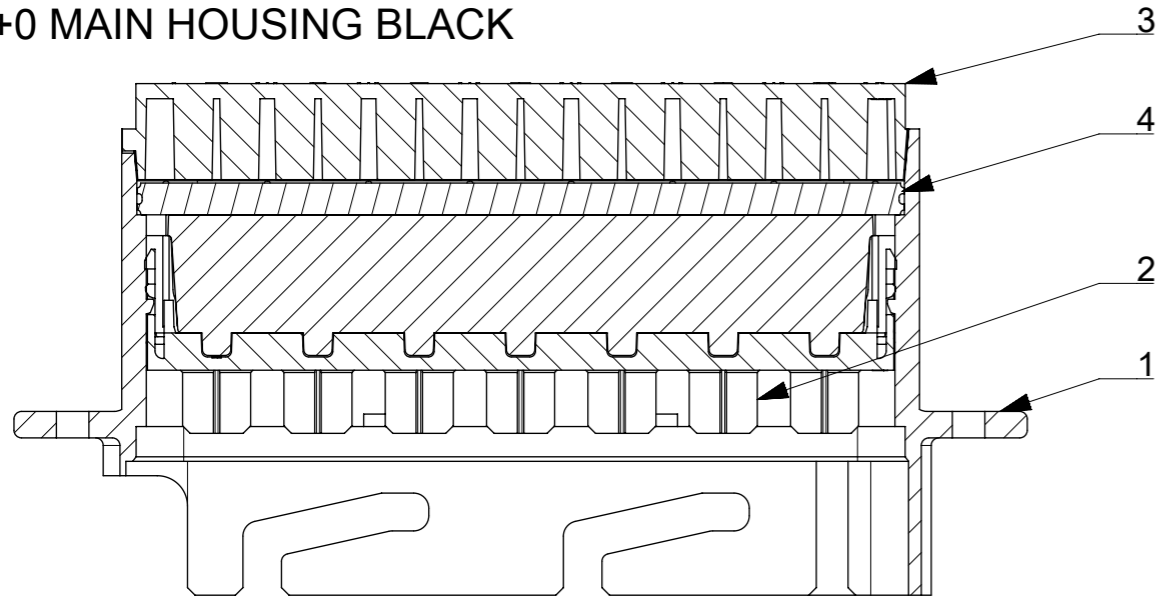


NOTES:

1. REFERENCE SHEET 1 FOR UNSPECIFIED NOTES AND DIMENSIONS
2. MX150 BLADE TERMINALS PER SD-33000-001 TO BE USED WITH THIS ASSEMBLY IN CAVITIES B, C, D, E AND F, CRIMPED WITH CABLE INSULATION OUTER DIAMETER IN THE RANGE 1.5mm TO 2.7mm
3. SRC BLADE TERMINALS PER 936420010 PSD MAY BE USED WITH THIS ASSEMBLY IN CAVITIES B AND F, CRIMPED WITH 2.5mm² (13AWG) CABLE INSULATION OUTER DIAMETER IN THE RANGE 2.7mm TO 3.0mm
4. MX150L BLADE TERMINALS PER SD-19431-00* TO BE USED WITH THIS ASSEMBLY IN CAVITIES A AND G, CRIMPED WITH CABLE INSULATION OUTER DIAMETER IN THE RANGE 3.0mm TO 5.0mm
5. MATES WITH: SRC 60+6AG POWER 2.5 RECEPTACLE HOUSING ASSEMBLY (BLACK) PART NUMBER 850846025 PER 850840700 PSD

THIS DRAWING CONTAINS INFORMATION THAT IS PROPRIETARY TO MOLEX ELECTRONIC TECHNOLOGIES, LLC AND SHOULD NOT BE USED WITHOUT WRITTEN PERMISSION									
DIMENSION UNITS		SCALE		CURRENT REV DESC: UPDATED CUT OUT					
mm		1:1							
GENERAL TOLERANCES (UNLESS SPECIFIED)									
ANGULAR TOL ± °				EC NO: 616515 DRWN: AJOBRIEN 2018/05/21 CHK'D: JFLETCHER 2019/05/07 APPR: IOCONNELL 2019/06/26					
4 PLACES ±				INITIAL REVISION: DRWN: AJOBRIEN 2015/08/07 APPR: JDWALLACE 2015/09/03					
3 PLACES ±									
2 PLACES ± 0.2				DOCUMENT NUMBER: 937921000 DOC TYPE: PSD DOC PART: 000 REVISION: C					
1 PLACE ± 0.5				MATERIAL NUMBER: 937926025 CUSTOMER: GENERAL MARKET SHEET NUMBER: 9 OF 16					
0 PLACES ±									
DRAFT WHERE APPLICABLE MUST REMAIN WITHIN DIMENSIONS		THIRD ANGLE PROJECTION		DRAWING		SERIES		MATERIAL NUMBER	
				A3-SIZE		93792		937926025	

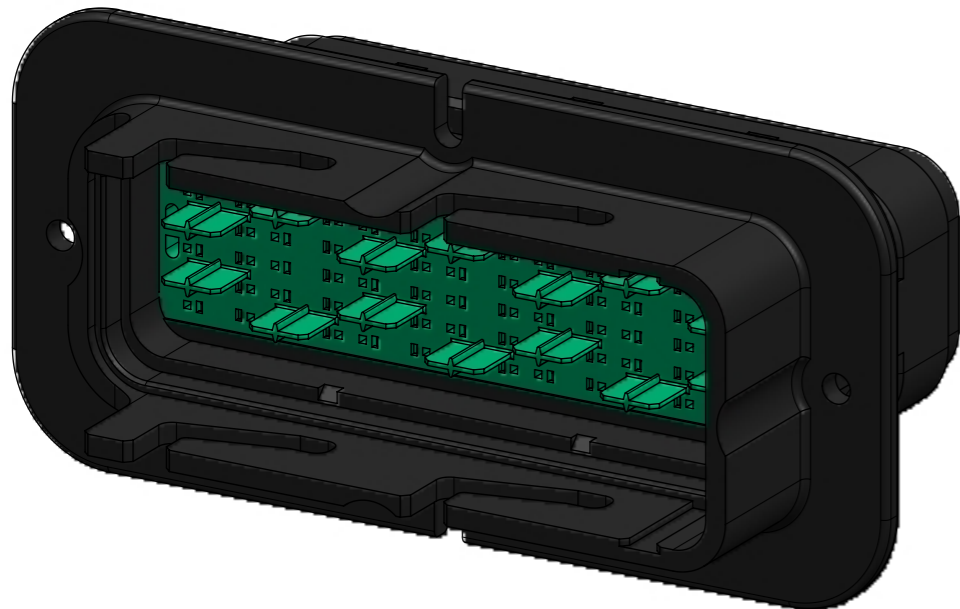
84+0 MAIN HOUSING BLACK



SECTION T-T

ACCEPTABLE CABLE INSULATION Ø RANGES (mm) - NOTE 2						
CAVITY SET						
G	F	E	D	C	B	A
1.5 - 2.7	1.5 - 2.7	1.5 - 2.7	1.5 - 2.7	1.5 - 2.7	1.5 - 2.7	1.5 - 2.7

No.	DESCRIPTION	QTY	COLOUR
4	MALE BACK SEAL	1	RUST RED
3	MALE REAR COVER	1	BLACK
2	MALE FRONT COVER	1	GREEN
1	MALE HOUSING	1	BLACK
BILL OF MATERIAL			



TERMINAL POSITION G12

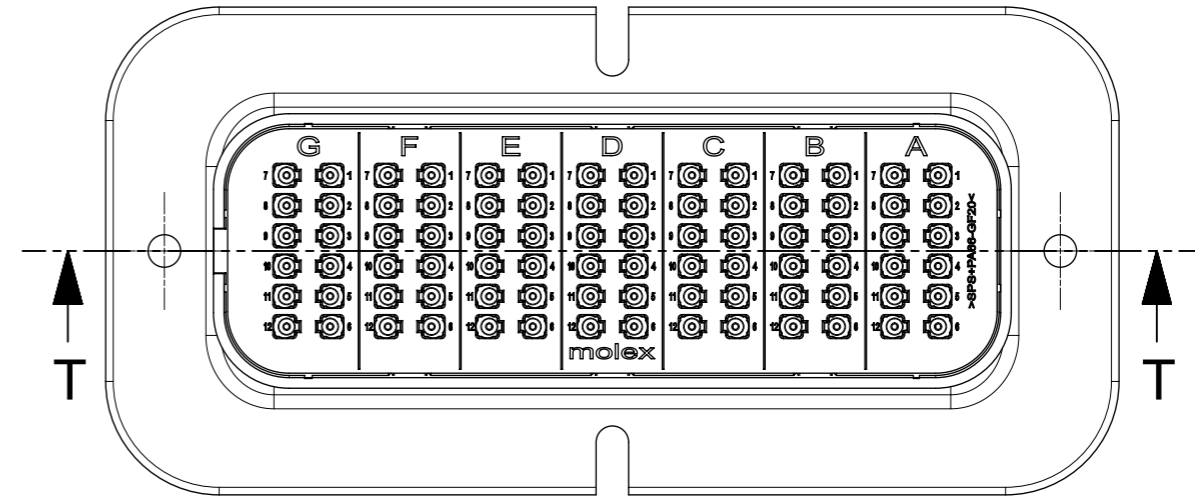
TERMINAL POSITION G7

11.0 REF

TERMINAL POSITION A6

TERMINAL POSITION A1

11.0 REF

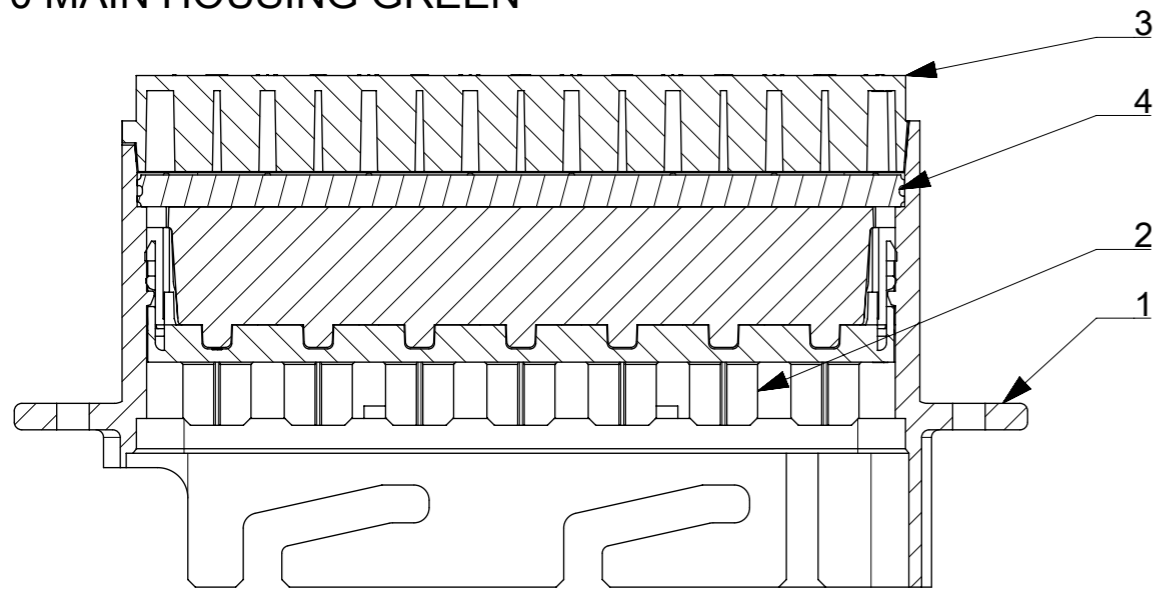


NOTES:

1. REFERENCE SHEET 1 FOR UNSPECIFIED NOTES AND DIMENSIONS
2. MX150 BLADE TERMINALS PER SD-33000-001 TO BE USED WITH THIS ASSEMBLY IN ALL CAVITIES CRIMPED WITH CABLE INSULATION OUTER DIAMETER IN THE RANGE 1.5mm TO 2.7mm
3. MATES WITH SRC2 84 PIN RECEPTACLE HOUSING ASSEMBLY (BLACK) PART NUMBER 932870001 PER 932870001 PSD

THIS DRAWING CONTAINS INFORMATION THAT IS PROPRIETARY TO MOLEX ELECTRONIC TECHNOLOGIES, LLC AND SHOULD NOT BE USED WITHOUT WRITTEN PERMISSION									
DIMENSION UNITS	SCALE	CURRENT REV DESC: UPDATED CUT OUT							
mm	1:1								
GENERAL TOLERANCES (UNLESS SPECIFIED)									
ANGULAR TOL	± °	EC NO: 616515 DRWN: AJOBRIEN 2018/05/21 CHK'D: JFLETCHER 2019/05/07 APPR: IOCONNELL 2019/06/26							
4 PLACES	±	INITIAL REVISION: DRWN: AJOBRIEN 2015/08/07 APPR: JDWALLACE 2015/09/03							
3 PLACES	±								
2 PLACES	± 0.2	DOCUMENT NUMBER		DOC TYPE		DOC PART		REVISION	
1 PLACE	± 0.5	937921000		PSD		000		C	
0 PLACES	±	MATERIAL NUMBER		CUSTOMER		SHEET NUMBER			
DRAFT WHERE APPLICABLE MUST REMAIN WITHIN DIMENSIONS		THIRD ANGLE PROJECTION		DRAWING		SERIES		MATERIAL NUMBER	
				A3-SIZE		93792		937928400	
				GENERAL MARKET		10 OF 16			

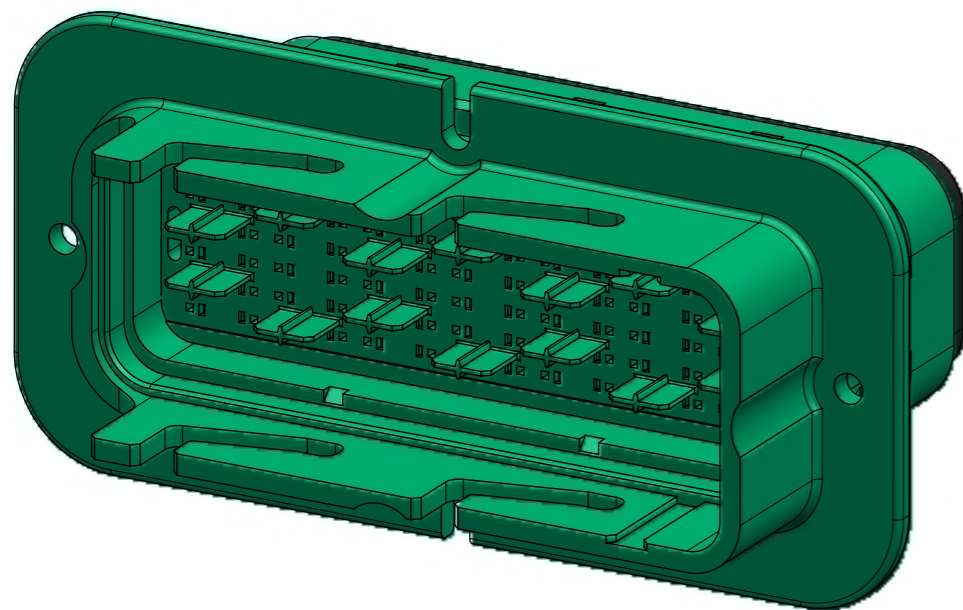
84+0 MAIN HOUSING GREEN



SECTION Y-Y

ACCEPTABLE CABLE INSULATION Ø RANGES (mm) - NOTE 2						
CAVITY SET						
G	F	E	D	C	B	A
1.5 - 2.7	1.5 - 2.7	1.5 - 2.7	1.5 - 2.7	1.5 - 2.7	1.5 - 2.7	1.5 - 2.7

4	MALE BACK SEAL	1	RUST RED
3	MALE REAR COVER	1	BLACK
2	MALE FRONT COVER	1	GREEN
1	MALE HOUSING	1	GREEN
No.	DESCRIPTION	QTY	COLOUR
BILL OF MATERIAL			



TERMINAL POSITION G12

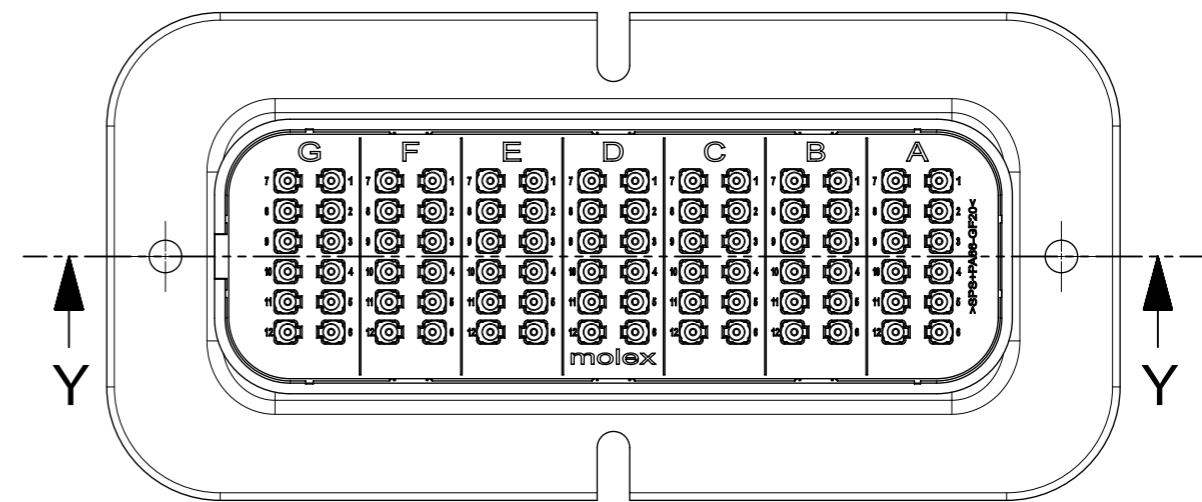
13.0 REF.

TERMINAL POSITION A6

TERMINAL POSITION G7

15.0 REF.

TERMINAL POSITION A1

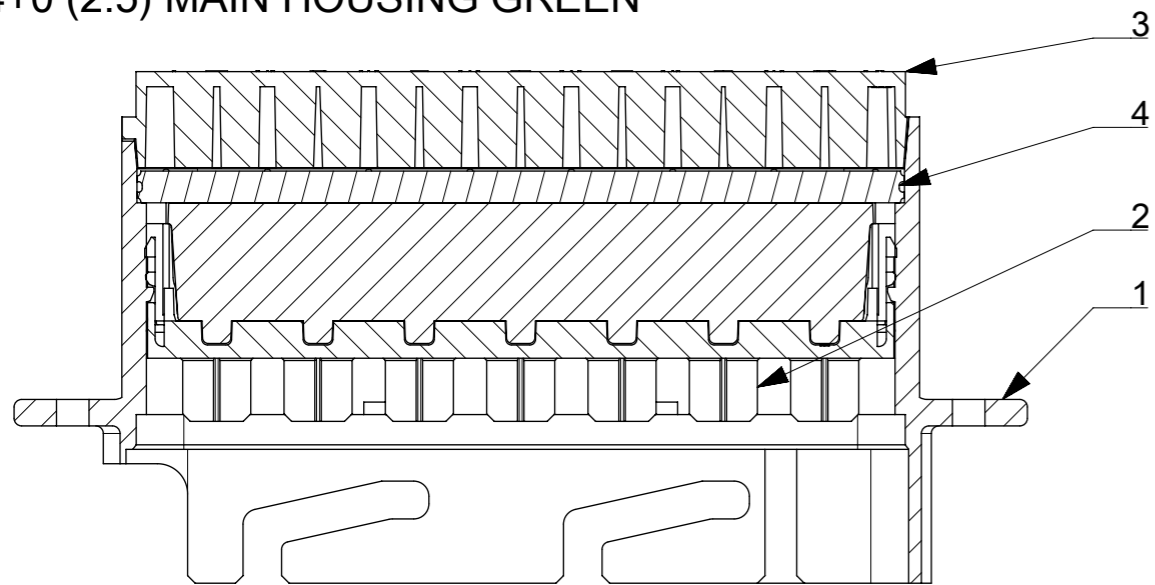


NOTES:

1. REFERENCE SHEET 1 FOR UNSPECIFIED NOTES AND DIMENSIONS
2. MX150 BLADE TERMINALS PER SD-33000-001 TO BE USED WITH THIS ASSEMBLY IN ALL CAVITIES CRIMPED WITH CABLE INSULATION OUTER DIAMETER IN THE RANGE 1.5mm TO 2.7mm
3. MATES WITH SRC2 84 PIN RECEPTACLE HOUSING ASSEMBLY (GREEN) PART NUMBER 938498400 PER 932870001 PSD

THIS DRAWING CONTAINS INFORMATION THAT IS PROPRIETARY TO MOLEX ELECTRONIC TECHNOLOGIES, LLC AND SHOULD NOT BE USED WITHOUT WRITTEN PERMISSION									
DIMENSION UNITS		SCALE		CURRENT REV DESC: UPDATED CUT OUT				molex	
mm		1:1							
GENERAL TOLERANCES (UNLESS SPECIFIED)				EC NO: 616515				SRC MIXED POWER MALE BLADE HOUSING ASSEMBLY	
ANGULAR TOL ± °				DRWN: AJOBRIEN 2018/05/21					
4 PLACES ±				CHK'D: JFLETCHER 2019/05/07				PRODUCT CUSTOMER DRAWING	
3 PLACES ±				APPR: IOCONNELL 2019/06/26					
2 PLACES ± 0.2				INITIAL REVISION:				DOCUMENT NUMBER 937921000	
1 PLACE ± 0.5				DRWN: AJOBRIEN 2015/08/07					
0 PLACES ±				APPR: JDWALLACE 2015/09/03				DOC TYPE PSD	
DRAFT WHERE APPLICABLE MUST REMAIN WITHIN DIMENSIONS				THIRD ANGLE PROJECTION		DRAWING			
A3-SIZE		SERIES		MATERIAL NUMBER		CUSTOMER		REVISION	
A3-SIZE		93792		938508400		GENERAL MARKET		000 C	
SHEET NUMBER		11 OF 16							

84+0 (2.5) MAIN HOUSING GREEN



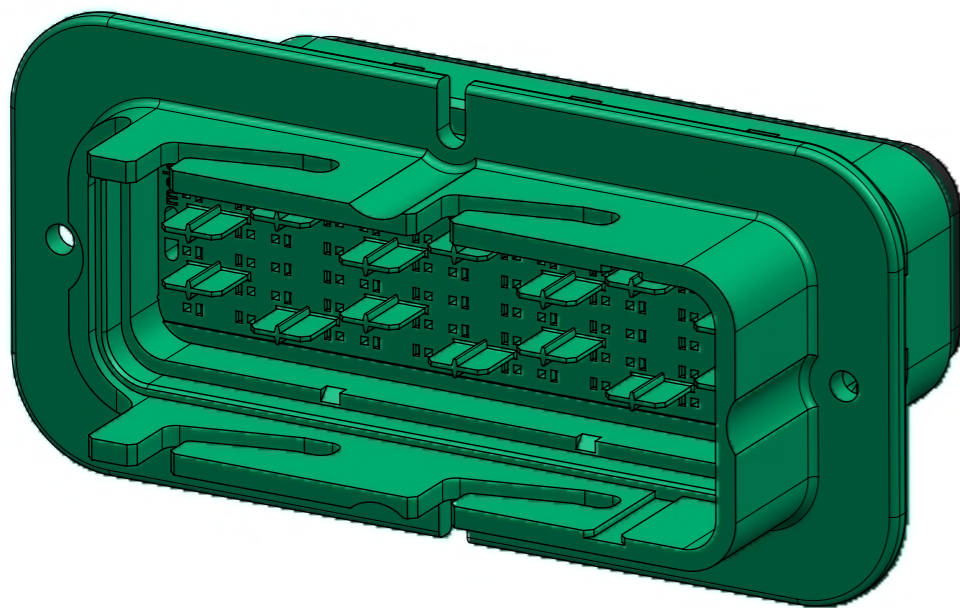
SECTION Z-Z

ACCEPTABLE CABLE INSULATION Ø RANGES (mm) - NOTES 2 & 3
(COMBINATIONS OF CABLES PER NOTES 2 & 3 ALLOWED IN B & F)

CAVITY SET

G	F	E	D	C	B	A
1.5 - 2.7	1.5 - 3.0	1.5 - 2.7	1.5 - 2.7	1.5 - 2.7	1.5 - 3.0	1.5 - 2.7

No.	DESCRIPTION	QTY	COLOUR
4	MALE BACK SEAL	1	RUST RED
3	MALE REAR COVER	1	BLACK
2	MALE FRONT COVER	1	GREEN
1	MALE HOUSING	1	GREEN
BILL OF MATERIAL			



TERMINAL POSITION G12

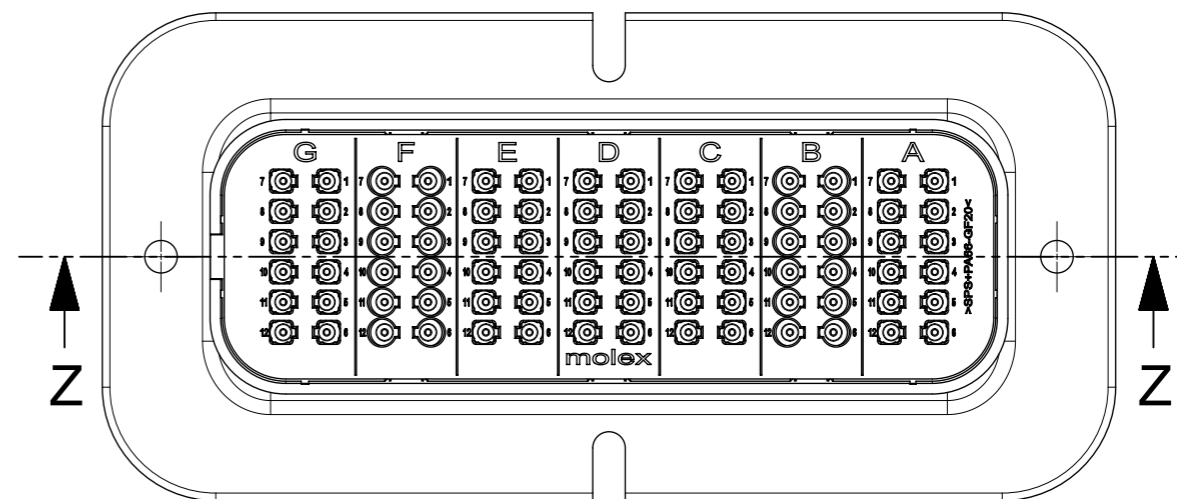
15.0 REF.

TERMINAL POSITION A6

TERMINAL POSITION G7

17.8 REF.

TERMINAL POSITION A1

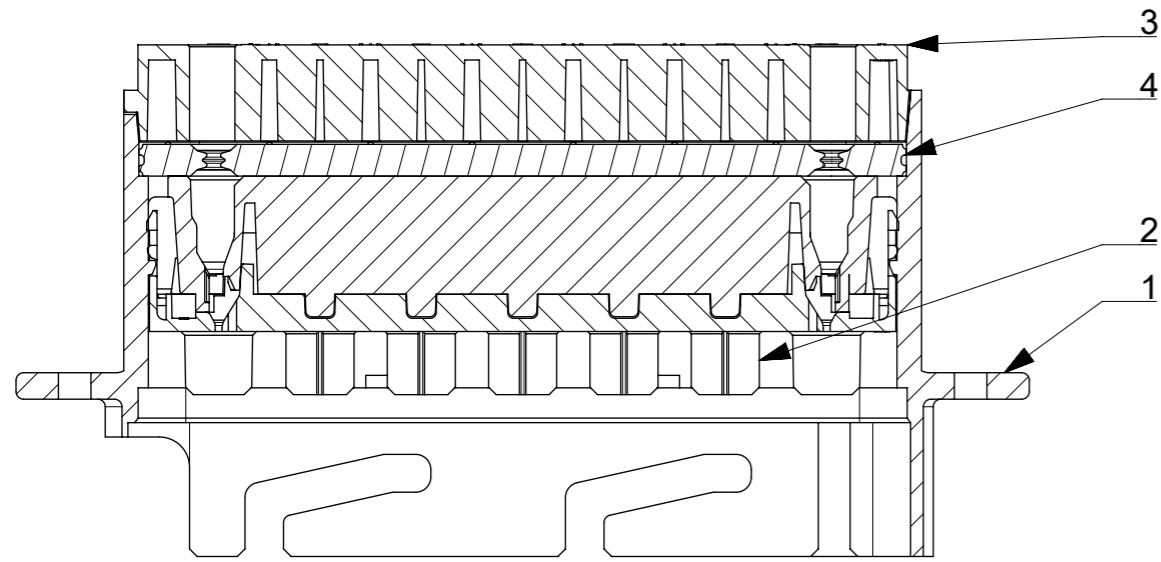


NOTES:

1. REFERENCE SHEET ONE FOR UNSPECIFIED NOTES AND DIMENSIONS
2. MX150 BLADE TERMINAL PER SD-33000-001 TO BE USED WITH THIS ASSEMBLY IN ALL CAVITIES, CRIMPED WITH CABLE INSULATION OUTER DIAMETER IN THE RANGE 1.5mm TO 2.7mm
3. SRC BLADE TERMINALS PER 936420010 PSD MAY BE USED WITH THIS ASSEMBLY IN CAVITIES B AND F CRIMPED WITH 2.5mm² (13AWG) CABLE INSULATION OUTER DIAMETER IN THE RANGE 2.7mm TO 3.0mm
4. MATES WITH: SRC2 84 PIN 2.5 RECEPTACLE HOUSING ASSEMBLY (GREEN) PART NUMBER 938498425 PER 932870001 PSD

THIS DRAWING CONTAINS INFORMATION THAT IS PROPRIETARY TO MOLEX ELECTRONIC TECHNOLOGIES, LLC AND SHOULD NOT BE USED WITHOUT WRITTEN PERMISSION		CURRENT REV DESC: UPDATED CUT OUT		molex	
DIMENSION UNITS	SCALE	EC NO: 616515			
mm	1:1	DRWN: AJOBRIEN 2018/05/21		PRODUCT CUSTOMER DRAWING	
GENERAL TOLERANCES (UNLESS SPECIFIED)		CHK'D: JFLETCHER 2019/05/07		DOCUMENT NUMBER	
ANGULAR TOL ± °		APPR: IOCONNELL 2019/06/26		937921000	
4 PLACES ±		INITIAL REVISION:		DOC TYPE	
3 PLACES ±		DRWN: AJOBRIEN 2015/08/07		PSD	
2 PLACES ± 0.2		APPR: JDWALLACE 2015/09/03		DOC PART	
1 PLACE ± 0.5		MATERIAL NUMBER		000	
0 PLACES ±		DRAWING		REVISION	
DRAFT WHERE APPLICABLE MUST REMAIN WITHIN DIMENSIONS		THIRD ANGLE PROJECTION		C	
		SERIES		SHEET NUMBER	
		A3-SIZE		12 OF 16	
		93792			
		938508425			
		GENERAL MARKET			

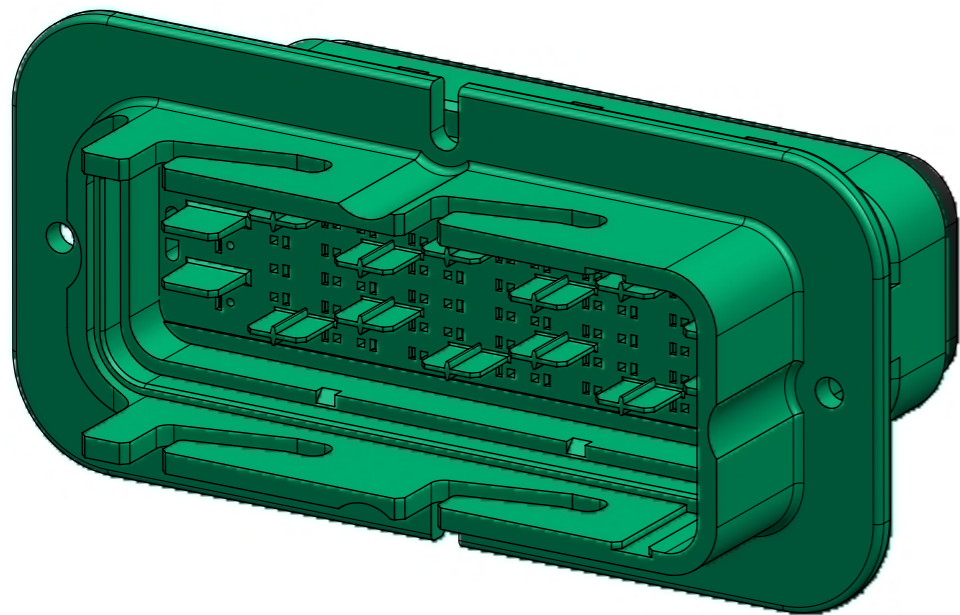
60+6AG MAIN HOUSING GREEN



SECTION V-V

ACCEPTABLE CABLE INSULATION Ø RANGES (mm) - NOTES 2 & 3						
CAVITY SET						
G	F	E	D	C	B	A
3.0 - 5.0	1.5 - 2.7	1.5 - 2.7	1.5 - 2.7	1.5 - 2.7	1.5 - 2.7	3.0 - 5.0

4	MALE BACK SEAL	1	RUST RED
3	MALE REAR COVER	1	BLACK
2	MALE FRONT COVER	1	GREEN
1	MALE HOUSING	1	GREEN
No.	DESCRIPTION	QTY	COLOUR
BILL OF MATERIAL			



TERMINAL POSITION G3

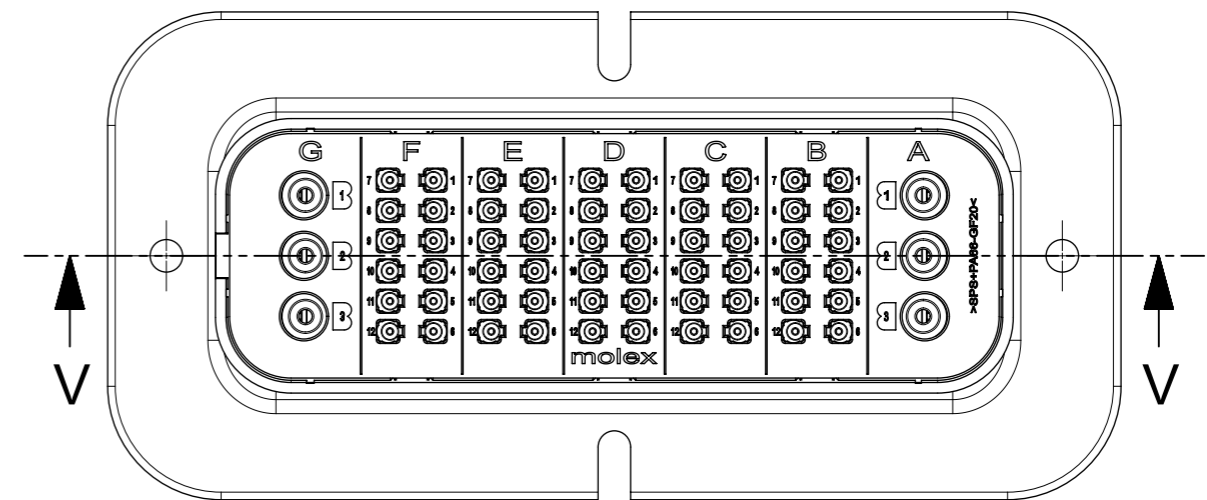
15.0 REF.

TERMINAL POSITION A3

TERMINAL POSITION G1

11.0 REF.

TERMINAL POSITION A1

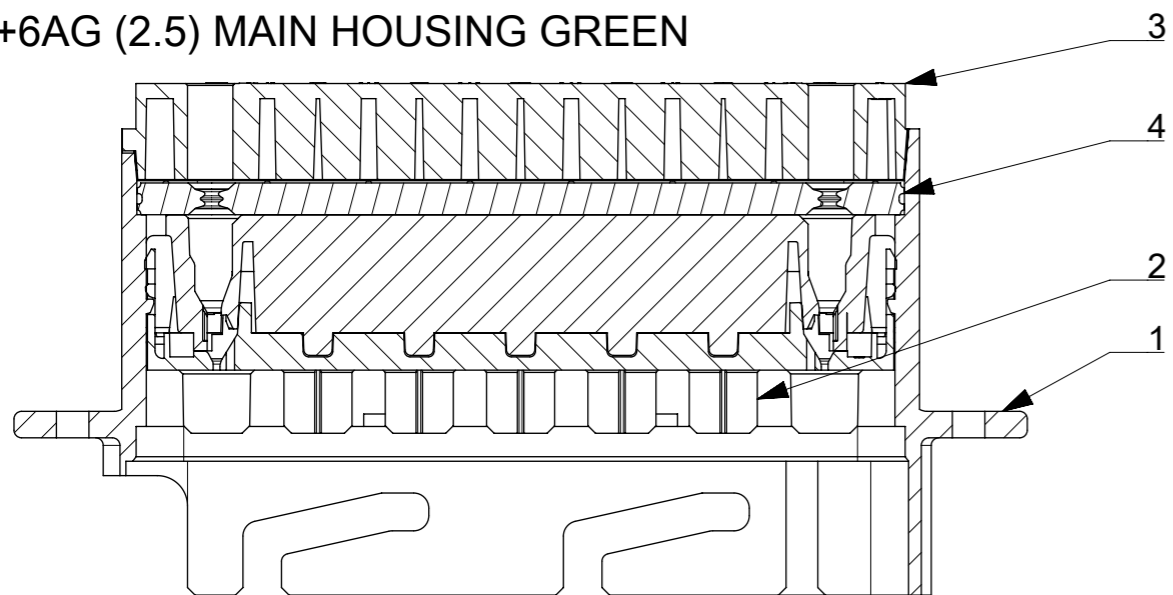


NOTES:

1. REFERENCE SHEET 1 FOR UNSPECIFIED NOTES AND DIMENSIONS
2. MX150 BLADE TERMINALS PER SD-33000-001 TO BE USED WITH THIS ASSEMBLY IN CAVITIES B, C, D, E AND F, CRIMPED WITH CABLE INSULATION OUTER DIAMETER IN THE RANGE 1.5mm TO 2.7mm
3. MX150L BLADE TERMINALS PER SD-19431-00* TO BE USED WITH THIS ASSEMBLY IN CAVITIES A AND G, CRIMPED WITH CABLE INSULATION OUTER DIAMETER IN THE RANGE 3.0mm TO 5.0mm
4. MATES WITH: SRC 60+6AG POWER RECEPTACLE HOUSING ASSEMBLY (GREEN) PART NUMBER 938496006 PER 850840700 PSD

THIS DRAWING CONTAINS INFORMATION THAT IS PROPRIETARY TO MOLEX ELECTRONIC TECHNOLOGIES, LLC AND SHOULD NOT BE USED WITHOUT WRITTEN PERMISSION											
DIMENSION UNITS		SCALE		CURRENT REV DESC: UPDATED CUT OUT							
mm		1:1									
GENERAL TOLERANCES (UNLESS SPECIFIED)											
ANGULAR TOL ± °				EC NO: 616515							
4 PLACES ±				DRWN: AJOBRIEN 2018/05/21							
3 PLACES ±				CHK'D: JFLETCHER 2019/05/07							
2 PLACES ± 0.2				APPR: IOCONNELL 2019/06/26							
1 PLACE ± 0.5				INITIAL REVISION:							
0 PLACES ±				DRWN: AJOBRIEN 2015/08/07							
DRAFT WHERE APPLICABLE MUST REMAIN WITHIN DIMENSIONS				THIRD ANGLE PROJECTION		DRAWING		SERIES		MATERIAL NUMBER	
						A3-SIZE		93792		938506006	
				CUSTOMER		SHEET NUMBER					
				GENERAL MARKET		13 OF 16		SRC MIXED POWER MALE BLADE HOUSING ASSEMBLY PRODUCT CUSTOMER DRAWING DOCUMENT NUMBER: 937921000 DOC TYPE: PSD DOC PART: 000 REVISION: C			

60+6AG (2.5) MAIN HOUSING GREEN

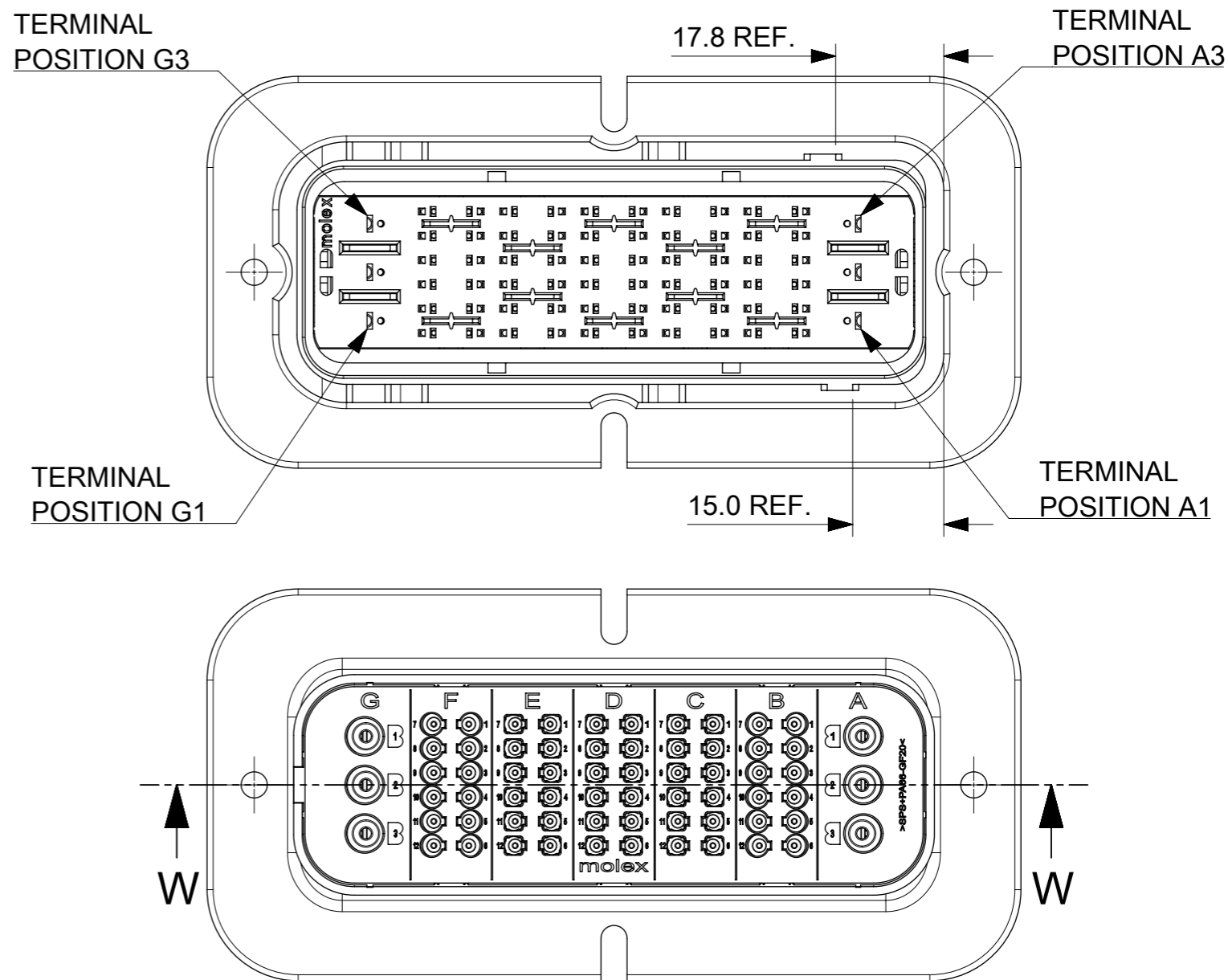
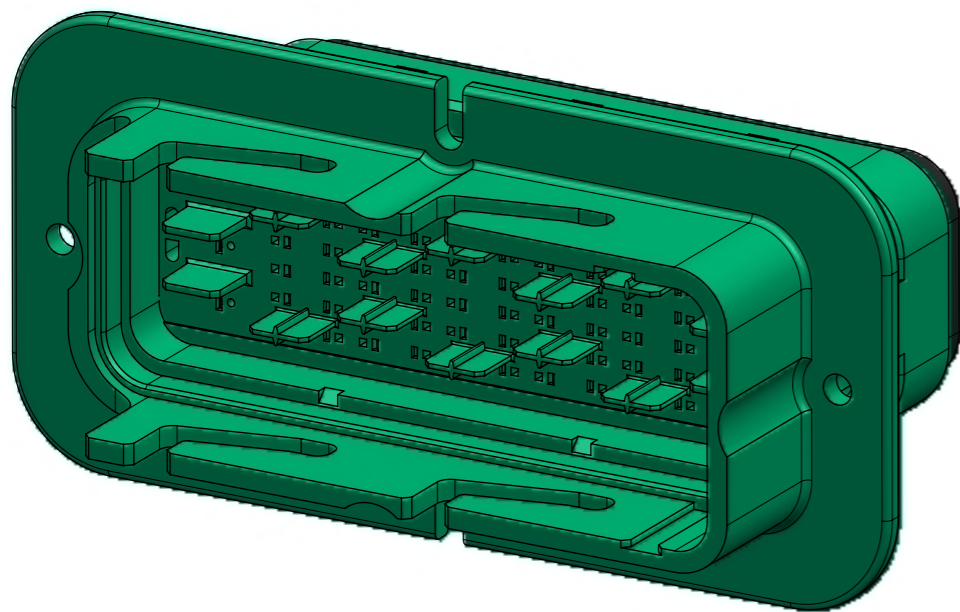


SECTION W-W

ACCEPTABLE CABLE INSULATION Ø RANGES (mm) - NOTES 2, 3 & 4
(COMBINATIONS OF CABLES PER NOTES 2 & 3 ALLOWED IN B & F)

CAVITY SET						
G	F	E	D	C	B	A
3.0 - 5.0	1.5 - 3.0	1.5 - 2.7	1.5 - 2.7	1.5 - 2.7	1.5 - 3.0	3.0 - 5.0

No.	DESCRIPTION	QTY	COLOUR
4	MALE BACK SEAL	1	RUST RED
3	MALE REAR COVER	1	BLACK
2	MALE FRONT COVER	1	GREEN
1	MALE HOUSING	1	GREEN
BILL OF MATERIAL			

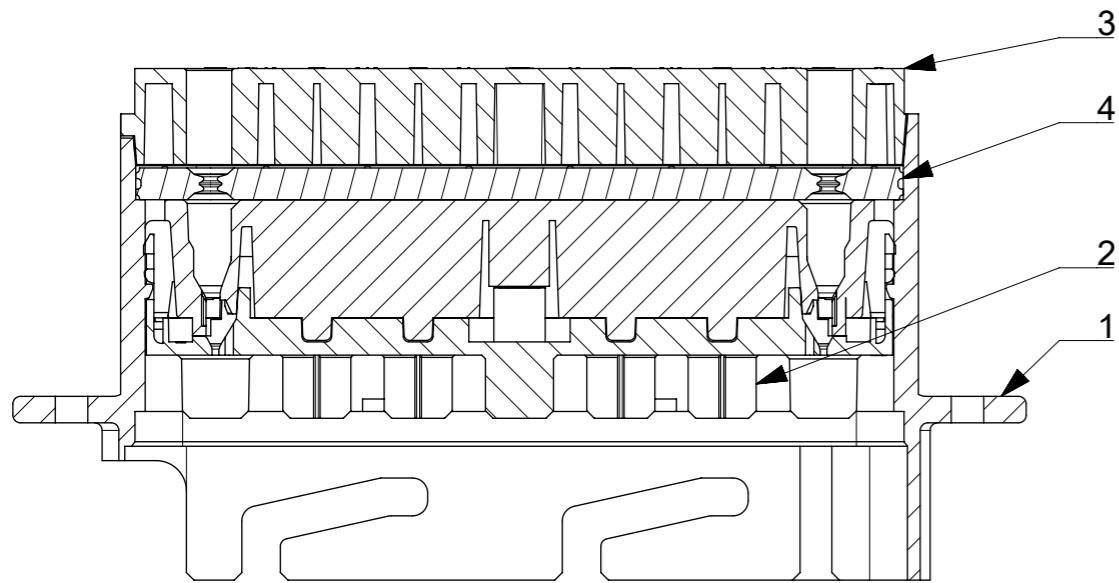


NOTES:

1. REFERENCE SHEET 1 FOR UNSPECIFIED NOTES AND DIMENSIONS
2. MX150 BLADE TERMINALS PER SD-33000-001 TO BE USED WITH THIS ASSEMBLY IN CAVITIES B, C, D, E AND F, CRIMPED WITH CABLE INSULATION OUTER DIAMETER IN THE RANGE 1.5mm TO 2.7mm
3. SRC BLADE TERMINALS PER 936420010 PSD MAY BE USED WITH THIS ASSEMBLY IN CAVITIES B AND F, CRIMPED WITH 2.5mm² (13AWG) CABLE INSULATION OUTER DIAMETER IN THE RANGE 2.7mm TO 3.0mm
4. MX150L BLADE TERMINALS PER SD-19431-00* TO BE USED WITH THIS ASSEMBLY IN CAVITIES A AND G, CRIMPED WITH CABLE INSULATION OUTER DIAMETER IN THE RANGE 3.0mm TO 5.0mm
5. MATES WITH: SRC 60+6AG POWER 2.5 RECEPTACLE HOUSING ASSEMBLY (GREEN)
PART NUMBER 938496025 PER 850840700 PSD

THIS DRAWING CONTAINS INFORMATION THAT IS PROPRIETARY TO MOLEX ELECTRONIC TECHNOLOGIES, LLC AND SHOULD NOT BE USED WITHOUT WRITTEN PERMISSION										
DIMENSION UNITS	SCALE	CURRENT REV DESC: UPDATED CUT OUT								
mm	1:1	molex								
GENERAL TOLERANCES (UNLESS SPECIFIED)		SRC MIXED POWER MALE BLADE HOUSING ASSEMBLY								
ANGULAR TOL	± °	PRODUCT CUSTOMER DRAWING								
4 PLACES	±	EC NO: 616515	DRWN: AJOBRIEN		2018/05/21		DOCUMENT NUMBER			
3 PLACES	±	DRWN: JFLETCHER	CHK'D: JFLETCHER		2019/05/07		937921000			
2 PLACES	± 0.2	APPR: IOCONNELL	APPR: IOCONNELL		2019/06/26		DOC TYPE	DOC PART	REVISION	
1 PLACE	± 0.5	INITIAL REVISION:		DRWN: AJOBRIEN		2015/08/07		PSD	000	C
0 PLACES	±	APPR: JDWALLACE		APPR: JDWALLACE		2015/09/03		MATERIAL NUMBER	CUSTOMER	SHEET NUMBER
DRAFT WHERE APPLICABLE MUST REMAIN WITHIN DIMENSIONS		THIRD ANGLE PROJECTION	DRAWING	SERIES	MATERIAL NUMBER	CUSTOMER	SHEET NUMBER			
			A3-SIZE	93792	938506025	GENERAL MARKET	14 OF 16			

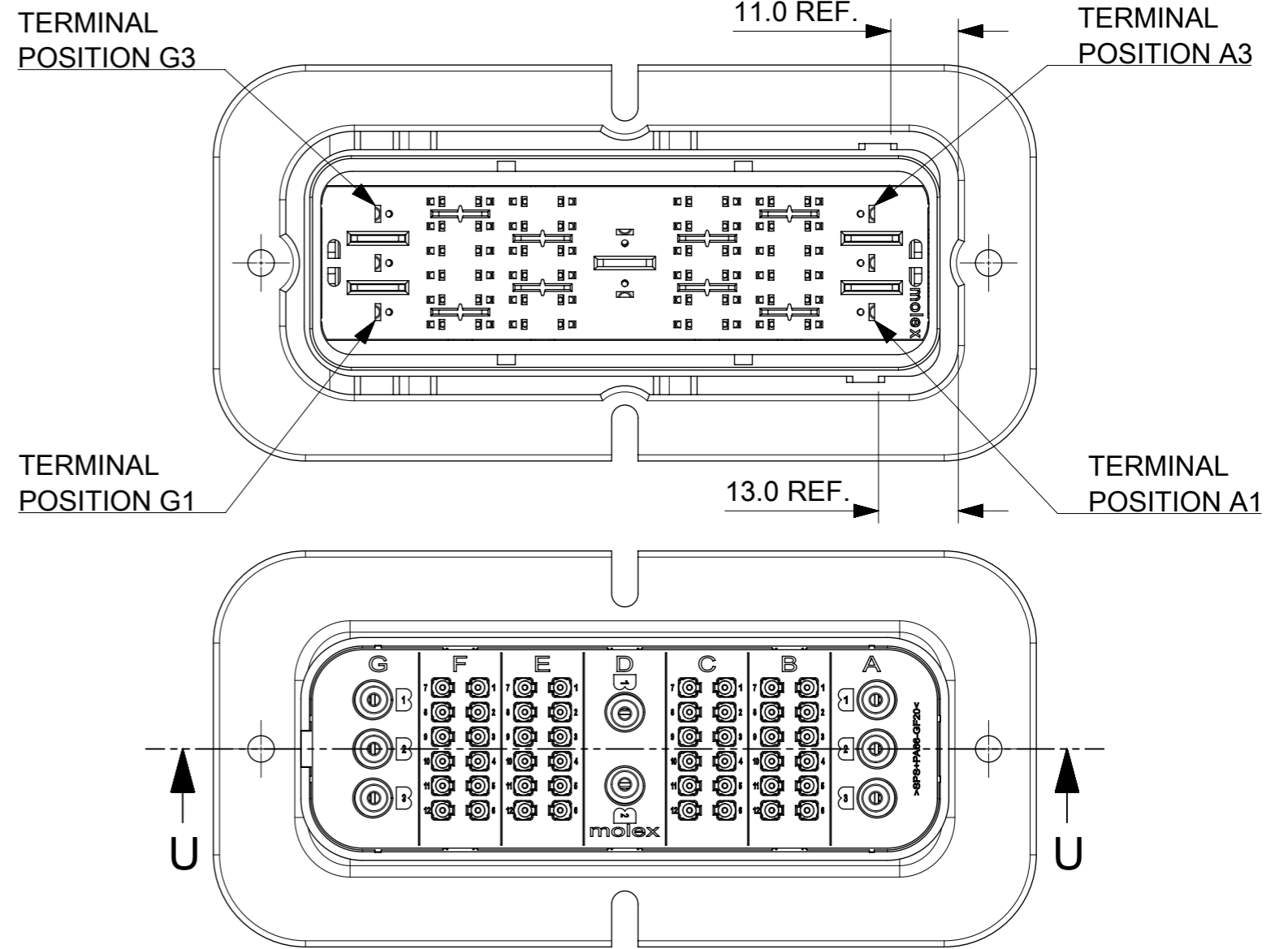
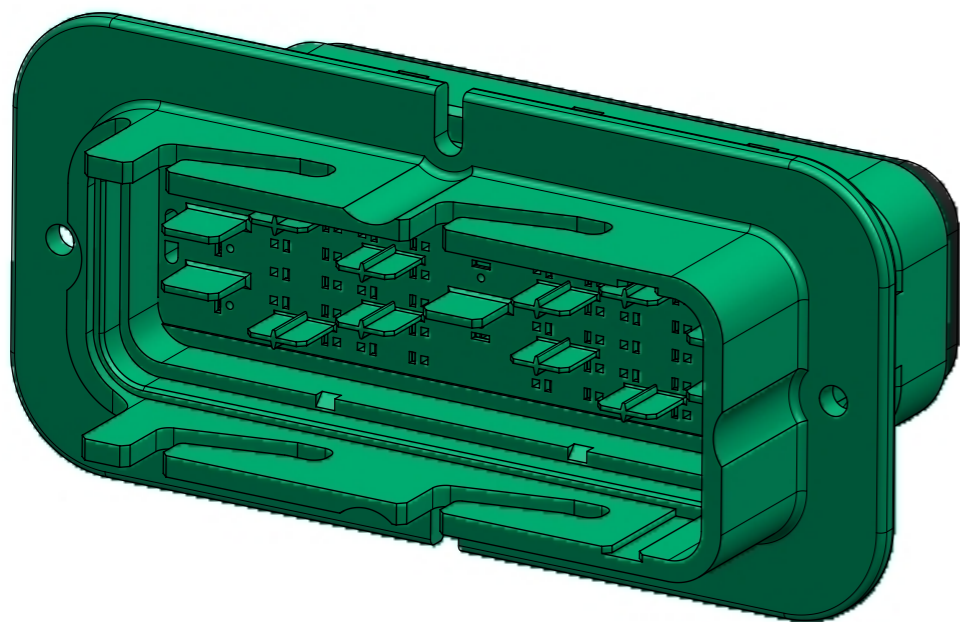
48+8ADG MAIN HOUSING GREEN



SECTION U-U

ACCEPTABLE CABLE INSULATION Ø RANGES (mm) - NOTES 2 & 3						
CAVITY SET						
G	F	E	D	C	B	A
3.0 - 5.0	1.5 - 2.7	1.5 - 2.7	3.0 - 5.0	1.5 - 2.7	1.5 - 2.7	3.0 - 5.0

4	MALE BACK SEAL	1	RUST RED
3	MALE REAR COVER	1	BLACK
2	MALE FRONT COVER	1	GREEN
1	MALE HOUSING	1	GREEN
No.	DESCRIPTION	QTY	COLOUR
BILL OF MATERIAL			

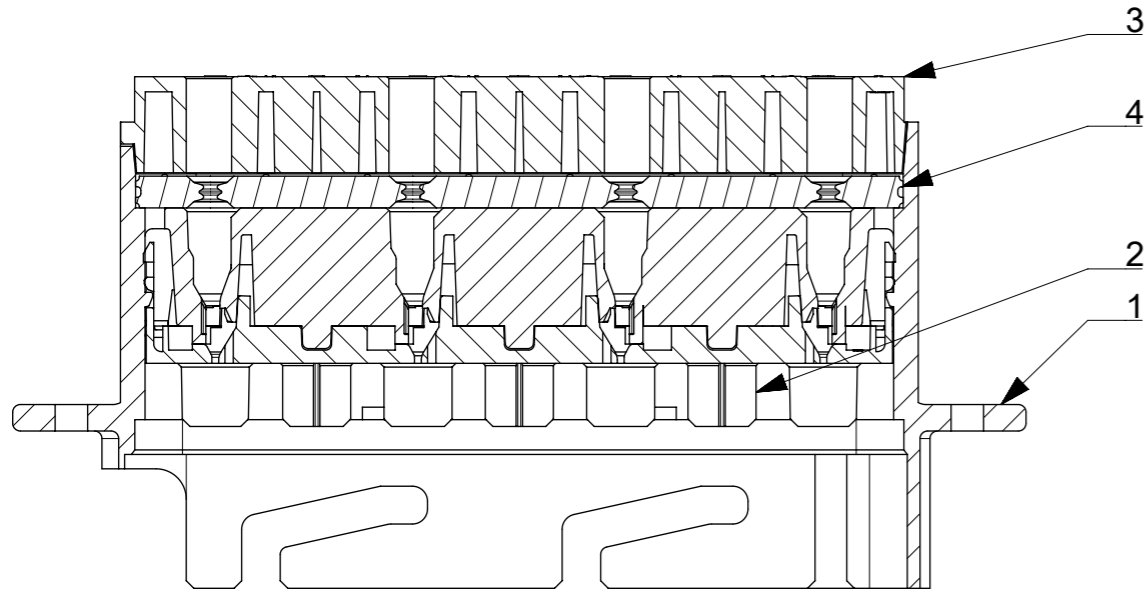


NOTES:

1. REFERENCE SHEET 1 FOR UNSPECIFIED NOTES AND DIMENSIONS
2. MX150 BLADE TERMINALS PER SD-33000-001 TO BE USED WITH THIS ASSEMBLY IN CAVITIES B, C, E AND F, CRIMPED WITH CABLE INSULATION OUTER DIAMETER IN THE RANGE 1.5mm TO 2.7mm
3. MX150L BLADE TERMINALS PER SD-19431-00* TO BE USED WITH THIS ASSEMBLY IN CAVITIES A, D AND G, CRIMPED WITH CABLE INSULATION OUTER DIAMETER IN THE RANGE 3.0mm TO 5.0mm
4. MATES WITH: SRC 48+8ADG POWER RECEPTACLE HOUSING ASSEMBLY (GREEN) PART NUMBER 938494808 PER 850840700 PSD

THIS DRAWING CONTAINS INFORMATION THAT IS PROPRIETARY TO MOLEX ELECTRONIC TECHNOLOGIES, LLC AND SHOULD NOT BE USED WITHOUT WRITTEN PERMISSION											
DIMENSION UNITS		SCALE		CURRENT REV DESC: UPDATED CUT OUT							
mm		1:1		molex							
GENERAL TOLERANCES (UNLESS SPECIFIED)											
ANGULAR TOL ± °				SRC MIXED POWER MALE BLADE HOUSING ASSEMBLY							
4 PLACES ±											
3 PLACES ±				PRODUCT CUSTOMER DRAWING							
2 PLACES ± 0.2											
1 PLACE ± 0.5				DOCUMENT NUMBER: 937921000 DOC TYPE: PSD DOC PART: 000 REVISION: C							
0 PLACES ±											
DRAFT WHERE APPLICABLE MUST REMAIN WITHIN DIMENSIONS				THIRD ANGLE PROJECTION		DRAWING		SERIES		MATERIAL NUMBER	
				A3-SIZE		93792		938504808		CUSTOMER: GENERAL MARKET	
										SHEET NUMBER: 15 OF 16	

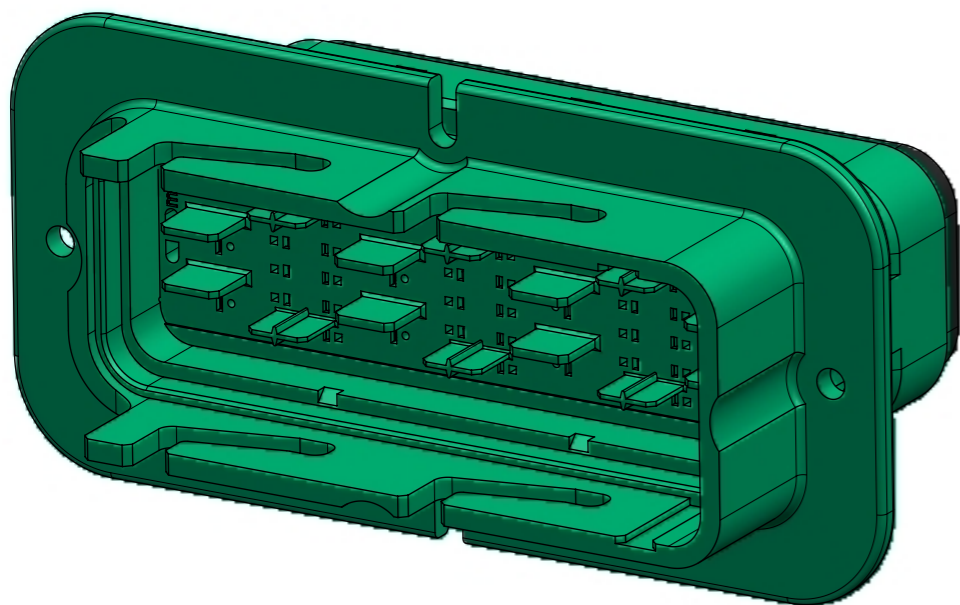
36+12ACEG MAIN HOUSING GREEN



SECTION X-X

ACCEPTABLE CABLE INSULATION Ø RANGES (mm) - NOTES 2 & 3						
CAVITY SET						
G	F	E	D	C	B	A
3.0 - 5.0	1.5 - 2.7	3.0 - 5.0	1.5 - 2.7	3.0 - 5.0	1.5 - 2.7	3.0 - 5.0

4	MALE BACK SEAL	1	RUST RED
3	MALE REAR COVER	1	BLACK
2	MALE FRONT COVER	1	GREEN
1	MALE HOUSING	1	GREEN
No.	DESCRIPTION	QTY	COLOUR
BILL OF MATERIAL			



TERMINAL POSITION G3

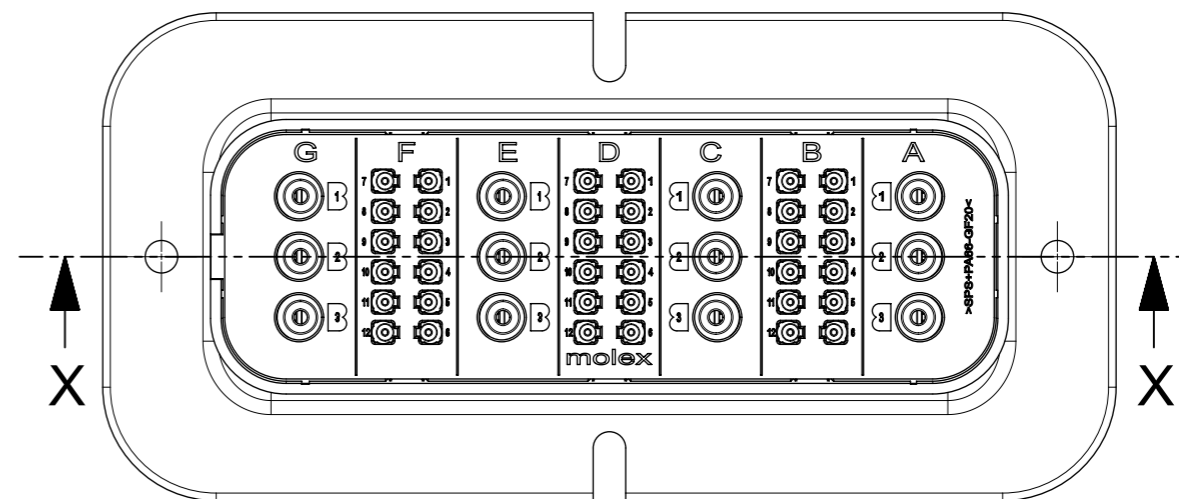
13.0 REF.

TERMINAL POSITION A3

TERMINAL POSITION G1

11.0 REF.

TERMINAL POSITION A1



NOTES:

1. REFERENCE SHEET 1 FOR UNSPECIFIED NOTES AND DIMENSIONS
2. MX150 BLADE TERMINALS PER SD-33000-001 TO BE USED WITH THIS ASSEMBLY IN CAVITIES B, D AND F, CRIMPED WITH CABLE INSULATION OUTER DIAMETER IN THE RANGE 1.5mm TO 2.7mm
3. MX150L BLADE TERMINALS PER SD-19431-00* TO BE USED WITH THIS ASSEMBLY IN CAVITIES A, C, E AND G, CRIMPED WITH CABLE INSULATION OUTER DIAMETER IN THE RANGE 3.0mm TO 5.0mm
4. MATES WITH: SRC 36+12ACEG POWER RECEPTACLE HOUSING ASSEMBLY (GREEN) PART NUMBER 938493612 PER 850840700 PSD

DIMENSION UNITS		SCALE	CURRENT REV DESC: UPDATED CUT OUT							
mm		1:1								
GENERAL TOLERANCES (UNLESS SPECIFIED)										
ANGULAR TOL	±	°	SRC MIXED POWER MALE BLADE HOUSING ASSEMBLY PRODUCT CUSTOMER DRAWING							
4 PLACES	±									
3 PLACES	±									
2 PLACES	±	0.2								
1 PLACE	±	0.5								
0 PLACES	±		EC NO: 616515 DRWN: AJOBRIEN 2018/05/21 CHK'D: JFLETCHER 2019/05/07 APPR: IOCONNELL 2019/06/26 INITIAL REVISION: DRWN: AJOBRIEN 2015/08/07 APPR: JDWALLACE 2015/09/03							
DRAFT WHERE APPLICABLE MUST REMAIN WITHIN DIMENSIONS			THIRD ANGLE PROJECTION	DRAWING	SERIES	MATERIAL NUMBER	CUSTOMER	DOC TYPE	DOC PART	REVISION
				A3-SIZE	93792	938503612	GENERAL MARKET	PSD	000	C
DOCUMENT STATUS		P1	RELEASE DATE	2019/06/26	12:45:57	SHEET NUMBER 16 OF 16				