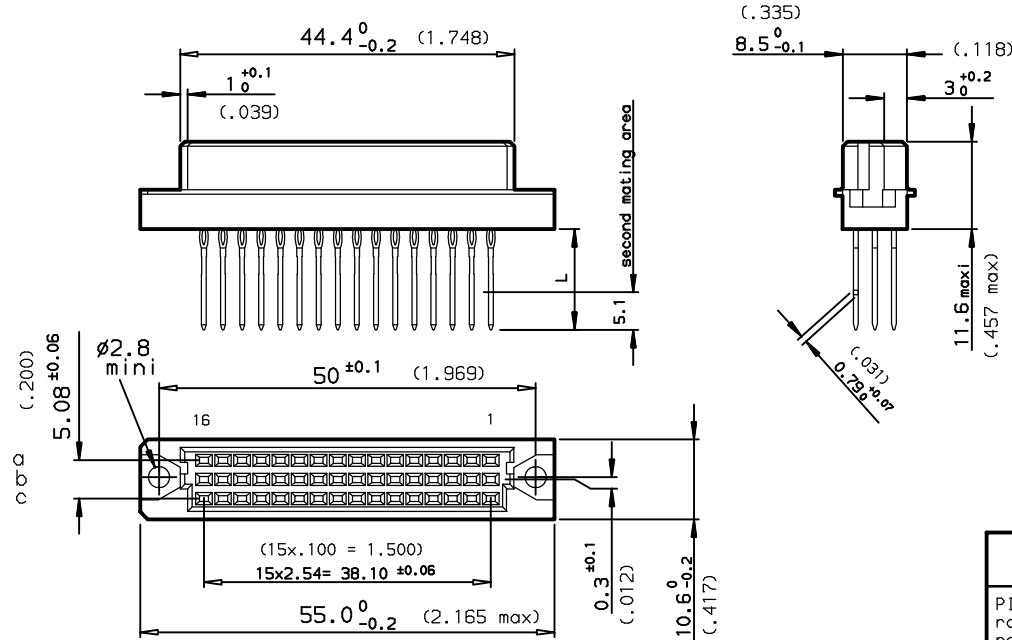
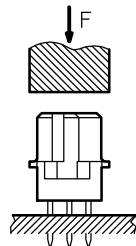


DIMENSIONS mm (inches)

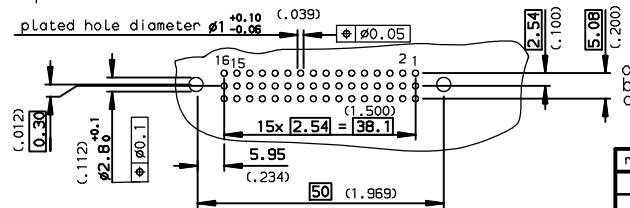


METHOD OF INSERTION
ON THE PCB = FLAT ROCK



PCB DRILLING

component side



| | | | | | | | | | |
|-------------------------|------|--|--|----|--|----|--|---|------|
| PART NUMBER | 8609 | | | 83 | | 7 | | 5 | |
| PIN OUT | | | | | | | | | |
| rows a-b-c | | | | 3 | | 48 | | | |
| rows a-c | | | | 4 | | 32 | | | |
| NUMBER OF CONTACTS | | | | | | | | | |
| TERMINATION | | | | | | | | | |
| L = 13.10 ±0.20 (C.515) | | | | | | | | | 96 |
| L = 17.10 ±0.20 (C.673) | | | | | | | | | 97 |
| PERFORMANCE CLASS | | | | | | | | | |
| DIN 41612 class 3 | | | | | | | | | 4 |
| DIN 41612 class 2 | | | | | | | | | 5 |
| DIN 41612 class 1 | | | | | | | | | 6 |
| TERMINATION TYPE | | | | | | | | | |
| TIN LEAD | | | | | | | | | 000A |
| LEAD FREE | | | | | | | | | ALF |

GENERAL CHARACTERISTICS AND ROHS INFORMATIONS:

SEE DRAWING C-8609-0000C

European Views

| | | | | | |
|--------------------|-----------|---------------------------------------|------------------|------------|--------------|
| www.fciconnect.com | | surface | tolerance std | projection | mm |
| | | ISO 1302 | ISO 406 ISO 1101 | | |
| | | TOLERANCES UNLESS OTHERWISE SPECIFIED | | | |
| Dr | ROUILLARD | 1998/06/15 | 0.x | ±0.1 | size |
| Eng | TARON | 1998/06/15 | 0.xx | ±0.1 | A3 |
| Chr | LEGARE | 1998/06/15 | 0.xxx | ±0.1 | Scale |
| Appr | LEGARE | 1998/06/15 | Product family | DIN 8609 | 1.5 |
| | | Spec ref | | - | ECN |
| | | | | | LS06-0095 |
| | | title | | | Rev. |
| | | STRAIGHT FEMALE - STYLE C/2 | | | 2 |
| | | PRESS FIT REAR PLUG UP | | | 0 |
| catalog no | | - | | | C-8609-0726 |
| | | CUSTOMER | | | sheet 1 of 1 |

| rev | ecn no | dr | date |
|-----|-----------|-----|------------|
| A | - | - | 1998/06/15 |
| B | LS05-004 | JTA | 2005/02/26 |
| C | LS06-0095 | LGO | 2006/06/24 |
| - | - | - | - |
| - | - | - | - |
| - | - | - | - |
| - | - | - | - |

