

THIS DRAWING IS UNPUBLISHED. RELEASED FOR PUBLICATION 20
 © COPYRIGHT 20 BY - ALL RIGHTS RESERVED.

REVISIONS				
P	LTR	DESCRIPTION	DATE	DWN APVD
C		ECR-15-008603	24JUN2015	KG DW
CI		ECR-15-011044	19AUG2015	KG DW

BOOT
 MAT'L: EPDM RUBBER

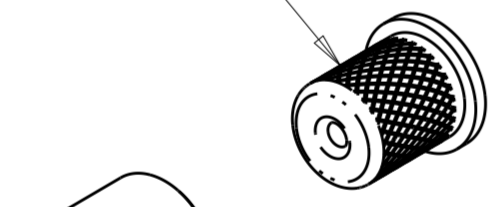
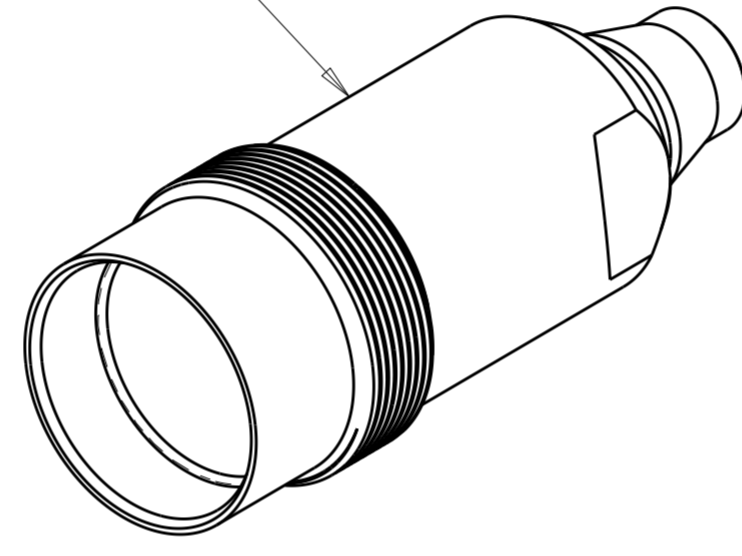
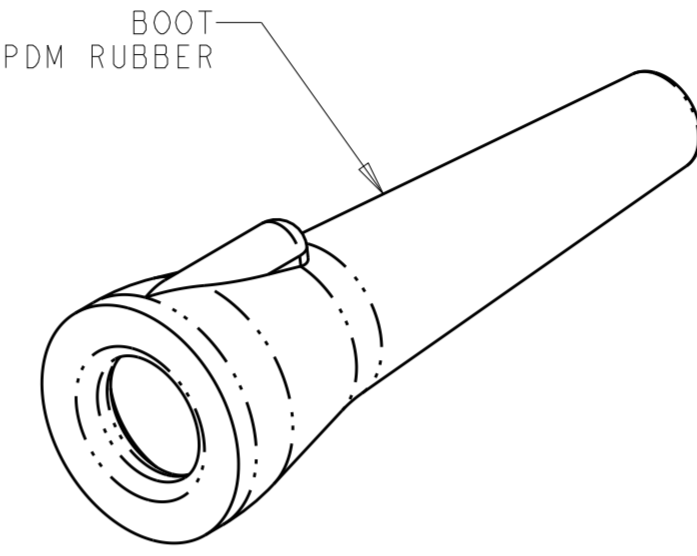
EXTENSION
 MAT'L: SEE TABLE

SEAL
 MAT'L: FLUOROSILICONE RUBBER

CRIMP SUPPORT
 MAT'L: NICKEL-SILVER ALLOY

WASHER
 MAT'L: STAINLESS STEEL

CRIMP SLEEVE
 MAT'L: NICKEL-SILVER ALLOY



SUPERSEDED BY:
 3-1918932-2
SUPERSEDED BY:
 3-1918932-1
SUPERSEDED BY:
 3-1918932-0
SUPERSEDED BY:
 2-1918932-9
SUPERSEDED BY:
 2-1918932-8
SUPERSEDED BY:
 2-1918932-7
SUPERSEDED BY:
 2-1918932-6
SUPERSEDED BY:
 2-1918932-5

EXTENSION MATERIAL	MAXIMUM CABLE DIAMETER	PART NUMBER
ALUMINUM	7.5mm	3-1918932-2
	6.7mm	3-1918932-1
	6.0mm	3-1918932-0
	5.5mm	2-1918932-9
	5.0mm	2-1918932-8
ALUMINUM	4.2mm	2-1918932-7
	3.6mm	2-1918932-6
	3.2mm	2-1918932-5
	7.5mm	2-1918932-4
	6.7mm	2-1918932-3
NICKEL ALUMINUM BRONZE	6.0mm	2-1918932-2
	5.5mm	2-1918932-1
	5.0mm	2-1918932-0
	4.2mm	1-1918932-9
	3.6mm	1-1918932-8
ALUMINUM	3.2mm	1-1918932-7
	7.5mm	1-1918932-6
	6.7mm	1-1918932-5
	6.0mm	1-1918932-4
	5.5mm	1-1918932-3
ALUMINUM	5.0mm	1-1918932-2
	4.2mm	1-1918932-1
	3.6mm	1-1918932-0
	3.2mm	1918932-9
	7.5mm	1918932-8
ALUMINUM	6.7mm	1918932-7
	6.0mm	1918932-6
	5.5mm	1918932-5
	5.0mm	1918932-4
	4.2mm	1918932-3
ALUMINUM	3.6mm	1918932-2
	3.2mm	1918932-1

1. PACKAGED LOOSE PIECE.
 2. DIMENSIONS ARE FOR REFERENCE ONLY.
- FINISH: HARD ANODIZE.
 - FINISH: OLIVE DRAB ZINC.
 - FINISH: BLACK ZINC-NICKEL.

THIS DRAWING IS A CONTROLLED DOCUMENT. DIMENSIONING AND TOLERANCING PER ASME Y14.5M-2009

DWN 27OCT2006 K. GLATFELTER
 CHK 02JUN2008 D. WERTMAN
 APVD 02JUN2008 D. WERTMAN

STE TE Connectivity

NAME: CABLE ADAPTER KIT, SEALED BLKHD, PRO BEAM JR.

SIZE: A2 CAGE CODE: 00779 DRAWING NO: C-1918932 RESTRICTED TO: -

MATERIAL: AS LISTED TOLERANCES UNLESS OTHERWISE SPECIFIED: 0 PLC ±, 1 PLC ±, 2 PLC ±, 3 PLC ±, 4 PLC ±, ANGLES ±, FINISH

Customer Drawing SCALE: 2:1 SHEET: 1 OF 1 REV: CI