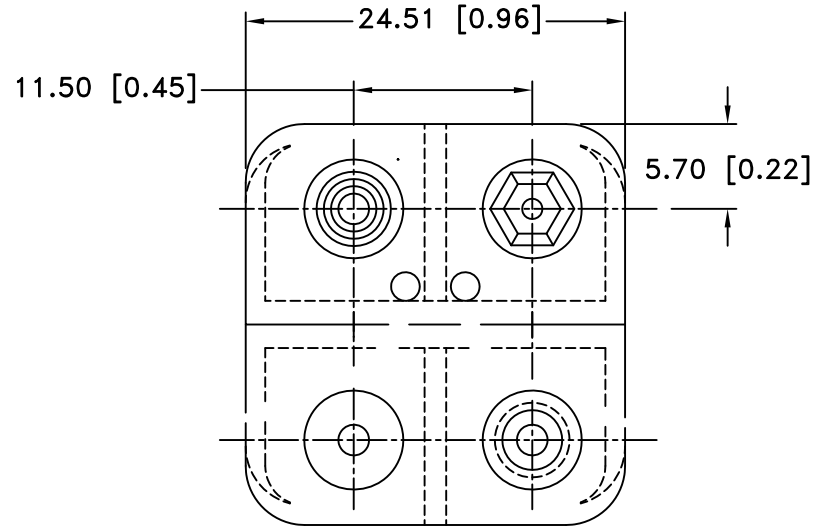
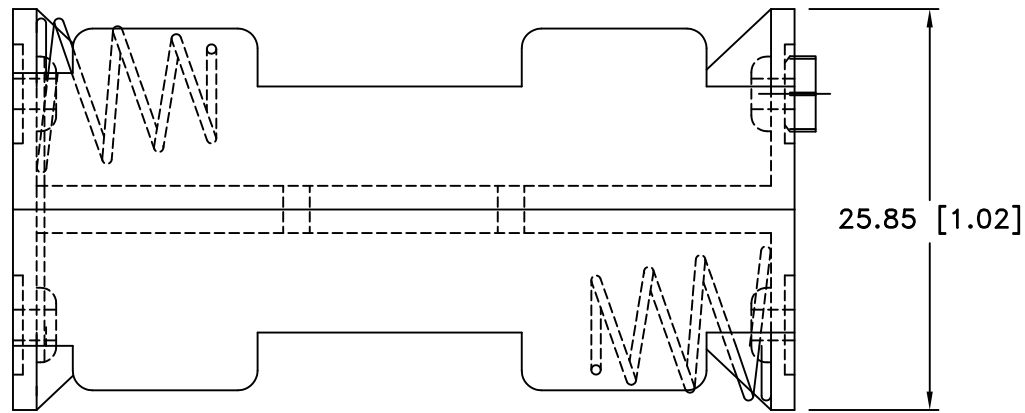
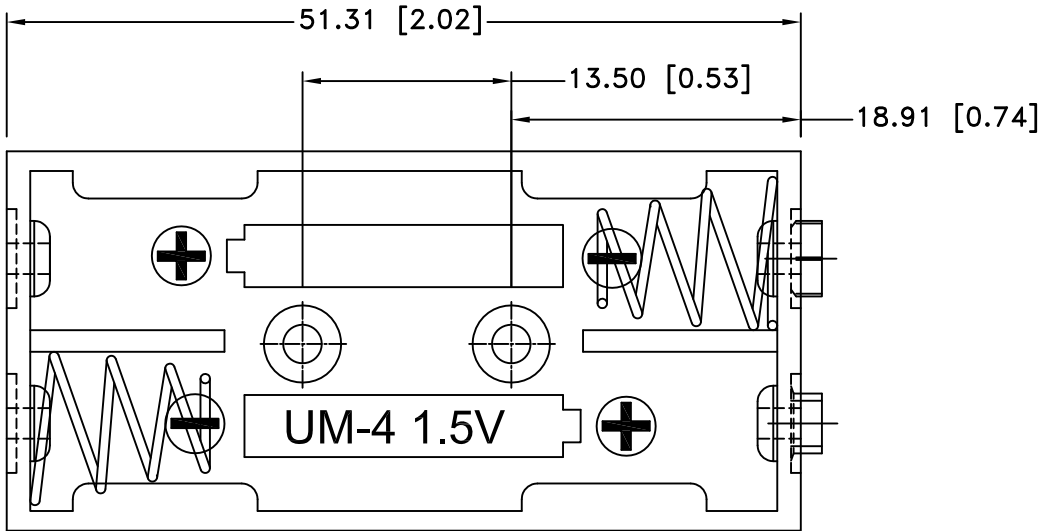


Date	SYM	REVISION RECORD	AUTH	DR.	CK.
10/31/14	E	UPDATED TO ROHS 2 COMPLIANT	T.B.	B.S.	
07/07/17	F	DIM. 18.91 WAS 18.71 DIM. 13.50 WAS 13.49 DIM. 25.85 WAS 25.91 DIM. 11.50 WAS 11.80 DIM. 5.70 WAS 5.49	T.B.	B.S.	
07/17/17	G	REMOVED DIM. Ø2.00	T.B.	B.S.	




NOTES:

1. MATERIAL:

HOUSING : BLACK POLYPROPYLENE
 FLAMMABILITY RATING -UL94-HB, UL FILE NO. E216959
 TEMPERATURE RANGE: -10°C to +100°C
 RIVETS: BRASS, NICKEL PLATED.
 SPRING: SPRING STEEL, NICKEL PLATED.
 9 VOLT SNAPS: BRASS, NICKEL PLATED.
 CONTACT RESISTANCE: UNDER 50mΩ FOR +/- CONTACTS PER
 EIA-540J000

ROHS 2 COMPLIANT

Tolerance (Except as noted)	 Memory Protection Devices, Inc 200 Broad Hollow Road, Farmingdale, New York 11735	Scale	Drawn By B.S.
			Approved By T.B.
decimal ±.5 (.020)	Title FOUR "AAA" CELL HOLDER WITH SNAP FASTENERS	Date 07/17/17	Drawing Number BH24AAASF
Fractional ± .8 (.030)			
Angular ± 3°			