

PCS TERMINAL OPTION  
PCB LAYOUT - COMPONENT SIDE

TERMINAL FINISH OPTIONS: **11** **X** R6HS COMPLIANT

NL - "N" INSULATING, MOLDED NYLON BUSHING  
"L" 0.375 LONG BUSHING

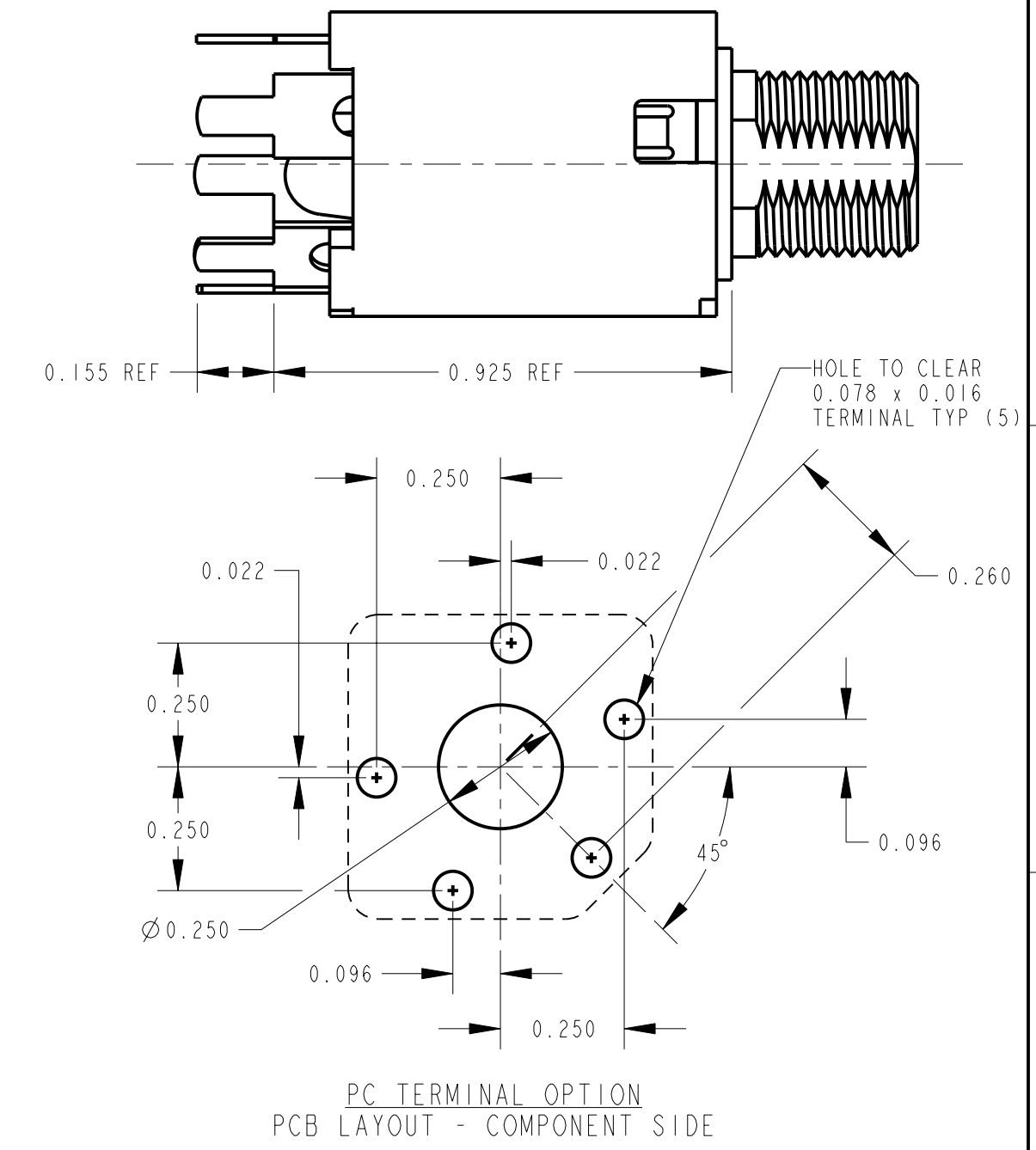
MNL - "M" GOLD PLATED SPRINGS WITH GOLD CONTACTS ON RING SPRINGS AND SHUNT SPRINGS (WHEN SHUNTS ARE USED)

"N" INSULATING, MOLDED NYLON BUSHING  
"L" 0.375 LONG BUSHING

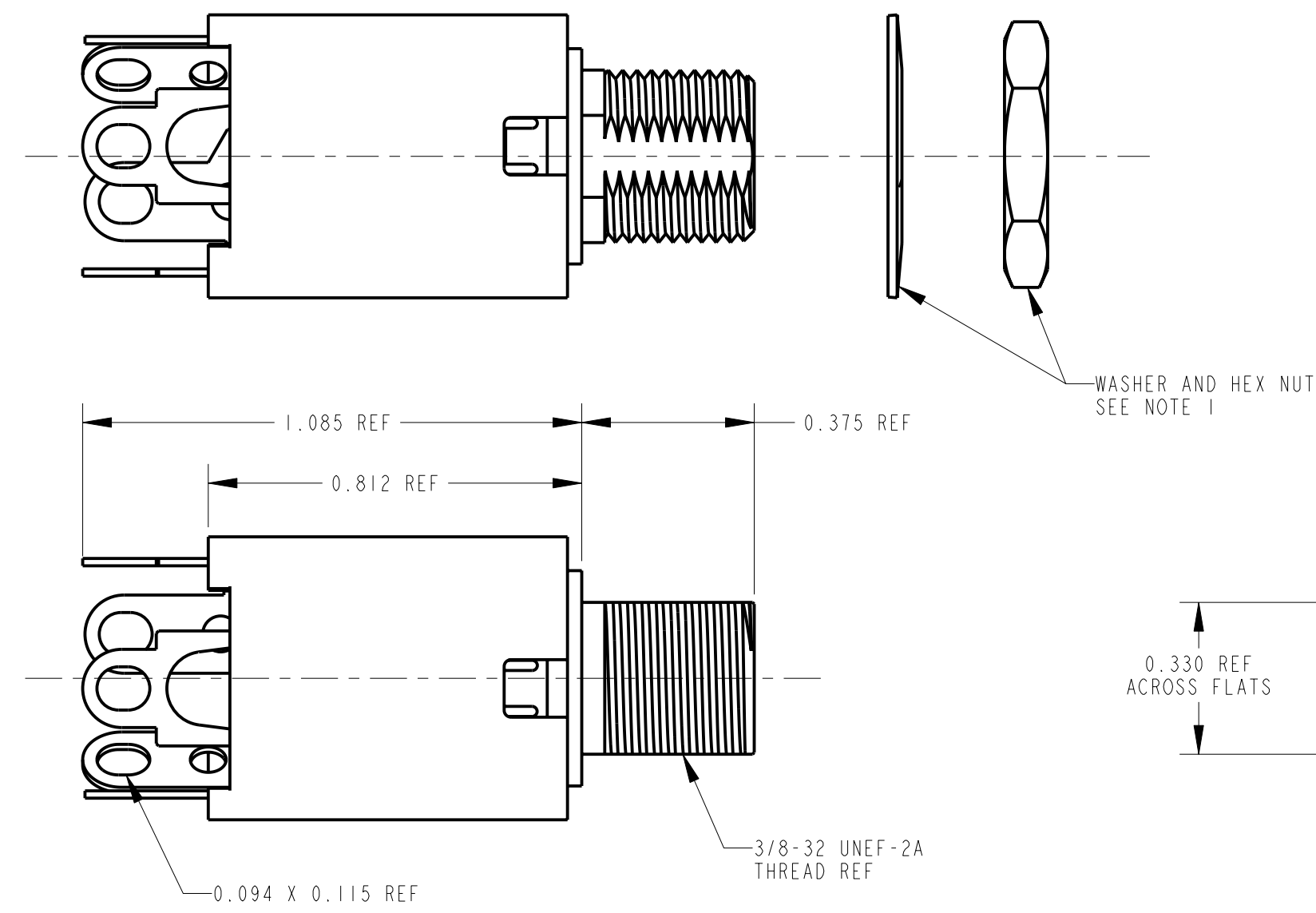
TERMINAL OPTIONS:  
BLANK - SOLDER TERMINAL  
PC - 0.078 WIDE PC TAILS  
PCS - SNAP-IN PC TAILS

CIRCUITRY OPTIONS:

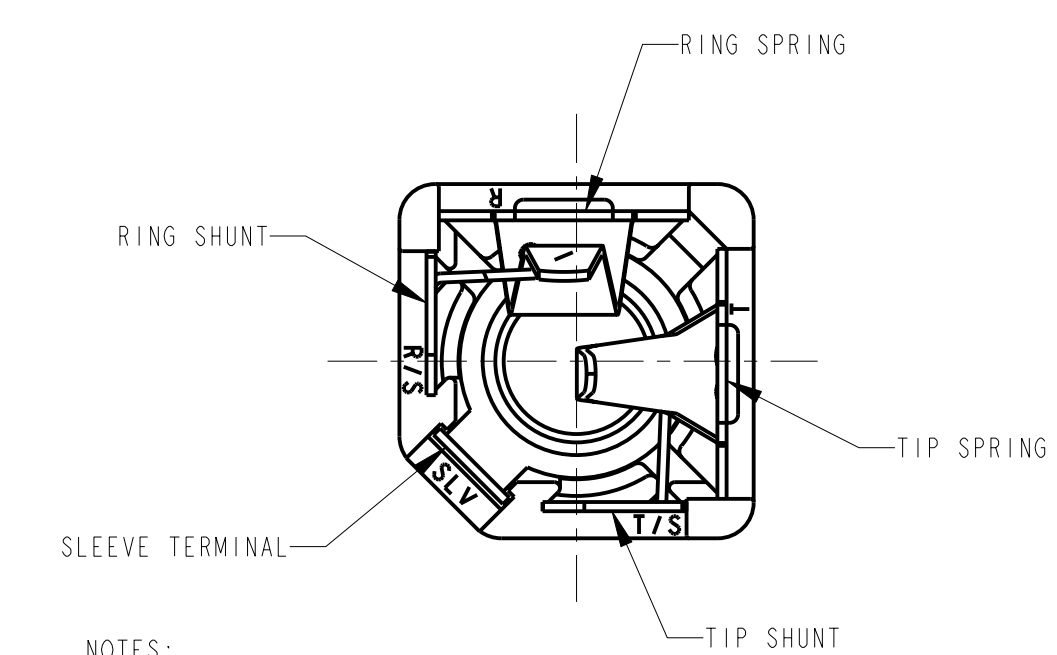
1 - TIP OPEN CIRCUIT	TIP SLEEVE
2A - TIP CLOSED CIRCUIT	TIP SLEEVE
2B - TIP & RING OPEN CIRCUIT	RING TIP SLEEVE
3 - TIP OPEN CIRCUIT AND ISOLATE "MAKE" CIRCUIT	TIP SLEEVE
3B - TIP CLOSED CIRCUIT AND RING OPEN CIRCUIT (I-C TRANSFER)	RING TIP SLEEVE
3D - I TIP CLOSED CIRCUIT AND I TIP OPEN CIRCUIT	TIP SLEEVE
3E - TIP OPEN CIRCUIT AND ISOLATED "BREAK" CIRCUIT	TIP SLEEVE
3F - TIP OPEN CIRCUIT AND RING CLOSED CIRCUIT	RING TIP SLEEVE
4B - TIP & RING CLOSED CIRCUIT	RING TIP SLEEVE



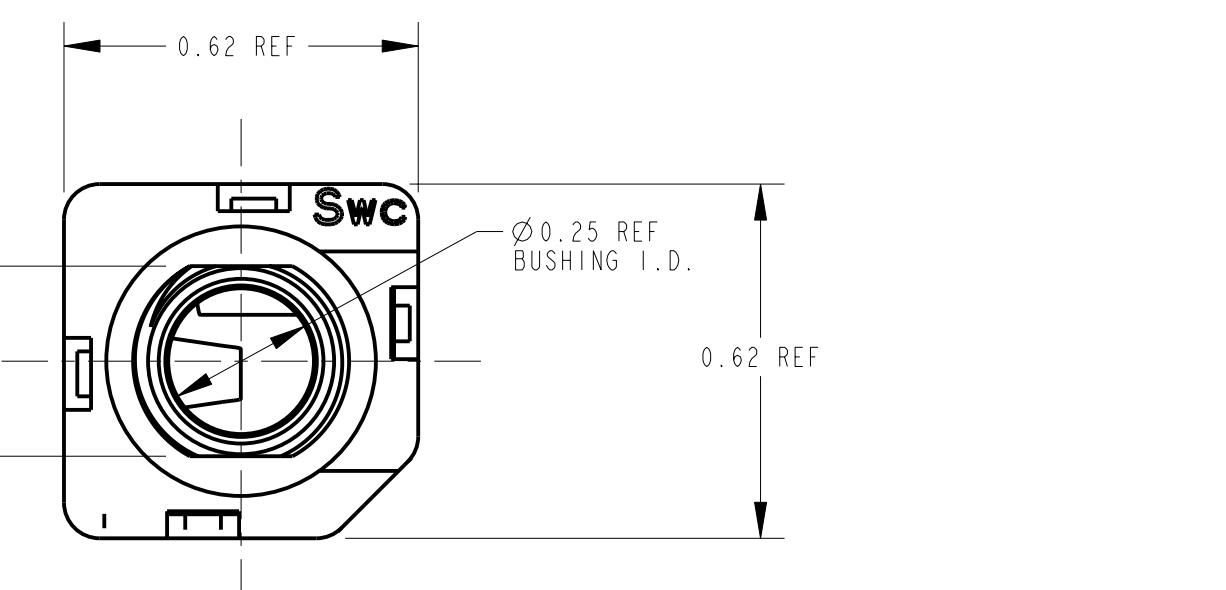
PC TERMINAL OPTION  
PCB LAYOUT - COMPONENT SIDE



SOLDER TERMINAL OPTION



- NOTES:
- HARDWARE SHIPPED UNASSEMBLED.
  - MAXIMUM PANEL THICKNESS: 0.25
  - MATERIALS:  
HOUSING - POLYESTER GLASS FILLED, BLACK  
BUSHING - THERMOPLASTIC, BLACK WITH BRASS, NICKEL PLATED SLEEVE  
SLEEVE TERMINAL - BRASS, LEAD FREE ELECTRO-TIN PLATED  
SPRINGS - NICKEL SILVER, LEAD FREE ELECTRO-TIN PLATED  
LIFTERS - NYLON (113 & 113E CIRCUIT OPTIONS)  
WASHER - STEEL, NICKEL PLATED  
NUT - BRASS, NICKEL PLATED
  - THIS PRODUCT IS R6HS COMPLIANT.



CUSTOMER DRAWING

<p>★ STAR SYMBOL DENOTES CRITICAL DIMENSION</p> <p>UNLESS OTHERWISE SPECIFIED</p> <p>1. ALL DIMENSIONS IN INCHES - TWO PLACE DECIMALS ±0.01 - THREE PLACE DECIMALS ±0.005 - ANGLES ±1° - ALL DIA. CONCENTRIC WITHIN 0.005 T.I.R.</p> <p>2. FEATURES ON THE SAME CENTERLINE MUST BE ALIGNED WITHIN ±0.002</p> <p>3. REMOVE ALL BURRS</p> <p>DO NOT SCALE DRAWING</p>					<p>THIS DRAWING DESCRIBES A DESIGN CONSIDERED PROPRIETARY IN NATURE, DEVELOPED AND MANUFACTURED BY SWITCHCRAFT INC. AND IS RELEASED ON A CONFIDENTIAL BASIS FOR IDENTIFICATION PURPOSES ONLY.</p> <table border="1"> <tr> <td>SIZE</td> <td>WIDTH</td> <td>MULT</td> <td>LBS/M</td> <td>TEMPER</td> </tr> <tr> <td colspan="2">FINISH</td> <td colspan="3">MATERIAL</td> </tr> <tr> <td colspan="2">SPEC No.</td> <td colspan="3">SPEC No.</td> </tr> <tr> <td colspan="2">FIRST USED ON</td> <td colspan="3">SCALE</td> </tr> <tr> <td colspan="2">DATE DRAWN</td> <td>BY</td> <td>CHKD</td> <td>APVD</td> </tr> <tr> <td colspan="2">17-Jul-08</td> <td>TJK</td> <td>TJK</td> <td>TJK</td> </tr> <tr> <td colspan="2"></td> <td></td> <td>7-17-08</td> <td>7-17-08</td> </tr> <tr> <td colspan="5">NAME</td> </tr> <tr> <td colspan="5">#3/8-32, LONG INSULATED BUSHING</td> </tr> <tr> <td colspan="5">Ø0.25 I.D. HI-D JACK ASSY, R6HS</td> </tr> </table>					SIZE	WIDTH	MULT	LBS/M	TEMPER	FINISH		MATERIAL			SPEC No.		SPEC No.			FIRST USED ON		SCALE			DATE DRAWN		BY	CHKD	APVD	17-Jul-08		TJK	TJK	TJK				7-17-08	7-17-08	NAME					#3/8-32, LONG INSULATED BUSHING					Ø0.25 I.D. HI-D JACK ASSY, R6HS				
SIZE	WIDTH	MULT	LBS/M	TEMPER																																																							
FINISH		MATERIAL																																																									
SPEC No.		SPEC No.																																																									
FIRST USED ON		SCALE																																																									
DATE DRAWN		BY	CHKD	APVD																																																							
17-Jul-08		TJK	TJK	TJK																																																							
			7-17-08	7-17-08																																																							
NAME																																																											
#3/8-32, LONG INSULATED BUSHING																																																											
Ø0.25 I.D. HI-D JACK ASSY, R6HS																																																											
<table border="1"> <tr> <th>REV</th> <th>ECO NUMBER</th> <th>DATE</th> <th>BY</th> <th>APVD</th> </tr> <tr> <td>A</td> <td>26032</td> <td>3-25-11</td> <td>TJK</td> <td>TJK</td> </tr> </table>					REV	ECO NUMBER	DATE	BY	APVD	A	26032	3-25-11	TJK	TJK	<p>Switchcraft®</p> <p>SHEET   OF  </p> <p>REV A</p>																																												
REV	ECO NUMBER	DATE	BY	APVD																																																							
A	26032	3-25-11	TJK	TJK																																																							