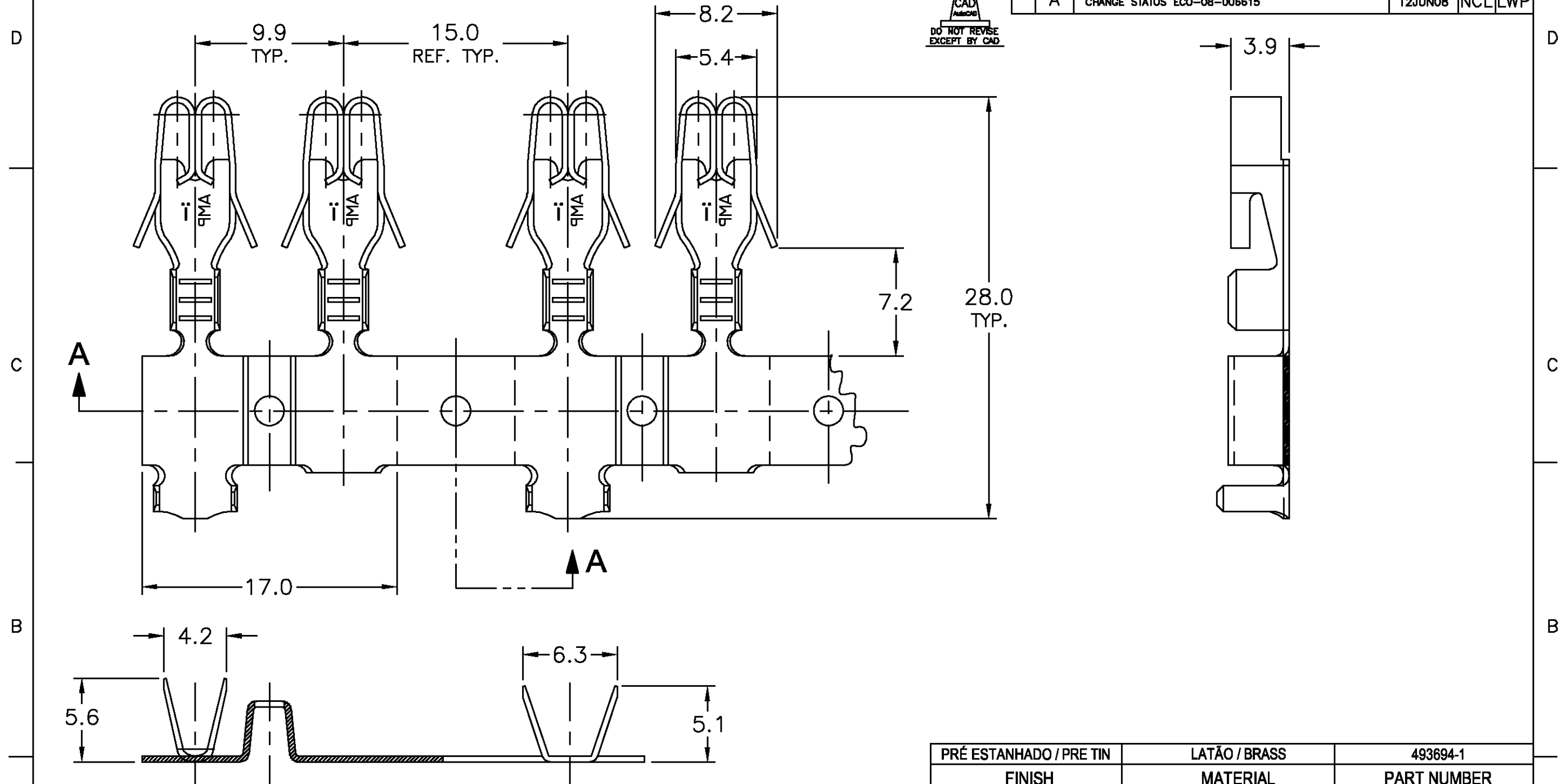


THIS DRAWING IS UNPUBLISHED. RELEASED FOR PUBLICATION
 © COPYRIGHT BY TYCO ELECTRONICS CORPORATION. ALL RIGHTS RESERVED.

LOC	DIST	REVISIONS		
AP	-	P	LTR	DESCRIPTION
		A		CHANGE STATUS ECO-08-008615
			DATE	DWN
			12JUN08	NCL
				APVD
				LWP

CAD
 DO NOT REVISE EXCEPT BY CAD



SECTION - A A

THIS DRAWING IS A CONTROLLED DOCUMENT.

DIMENSIONS: DIMENSÕES mm	TOLERANCES UNLESS OTHERWISE SPECIFIED: TOLERÂNCIA NÃO ESPECIFICADAS
	0 PLC/DEC ± -
	1 PLC/DEC ± 0,5
	2 PLC/DEC ± -
	3 PLC/DEC ± -
	4 PLC/DEC ± -
	ANGLES/ANGULARES ± 1°
MATERIAL SEE TABLE	FINISH ACABAMENTO SEE TABLE

PRÉ ESTANHADO / PRE TIN	LATÃO / BRASS	493694-1
FINISH	MATERIAL	PART NUMBER
DWN/DES A. PERUSSI 28JUN99	Tyco Electronics Corporation Sao Paulo, Brasil	
CHK/CH P.L. FARIA	NAME DESIGNADO	
APVD/APR F. ALEXANDRONI	FUSE CONTACT (BUS BAR)	
PRODUCT SPEC		
APPLICATION SPEC		
WEIGHT	SIZE A3	CAGE CODE 00779
	DRAWING NO DESENHO NO C-493694	RESTRICTED TO
CUSTOMER DRAWING/DESENHO DE CLIENTE	SCALE ESCALA 4:1	SHEET FOLHA 1 DE 1
		REV A