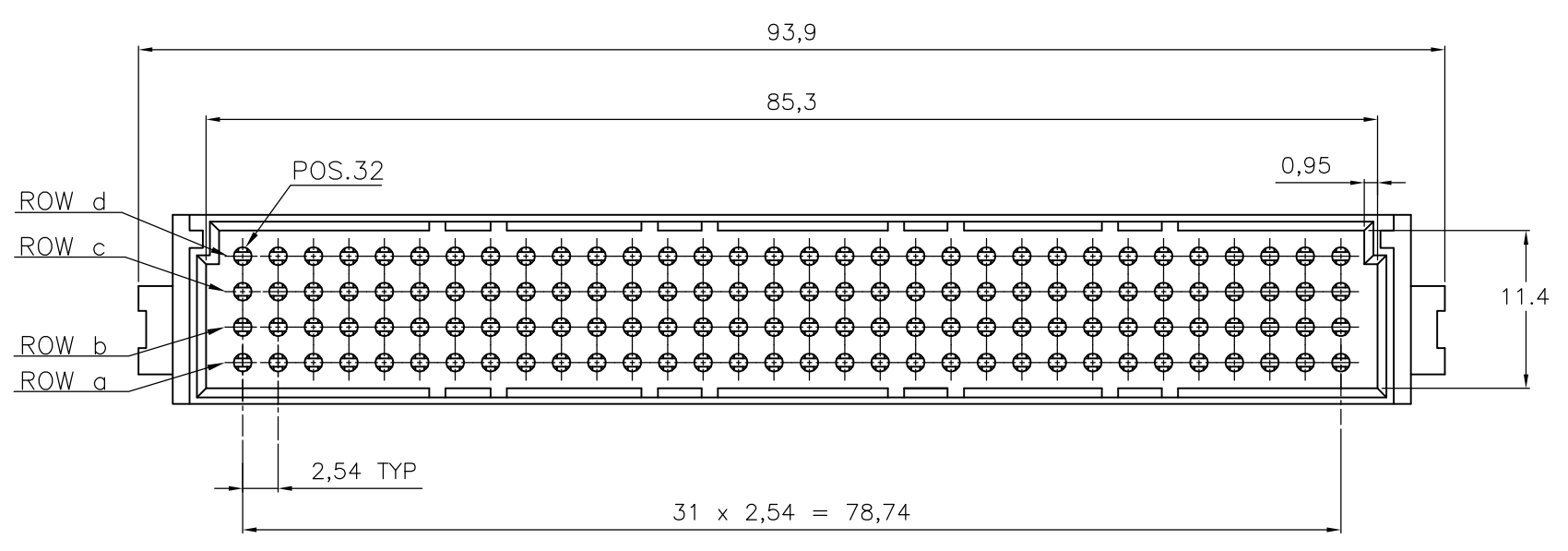
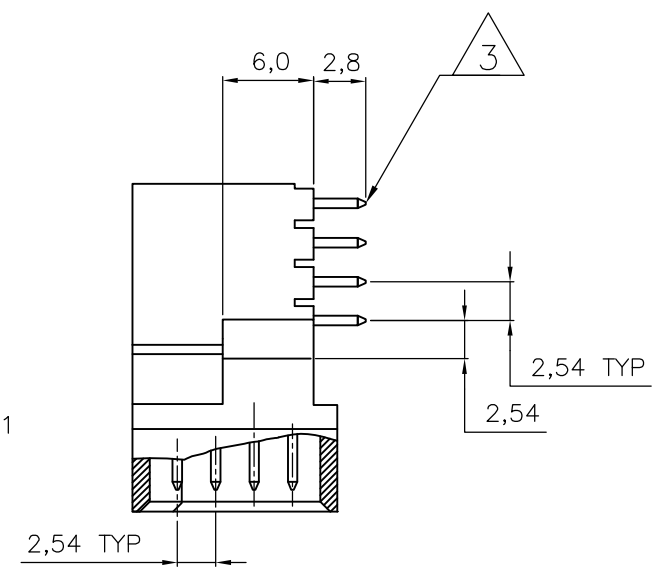
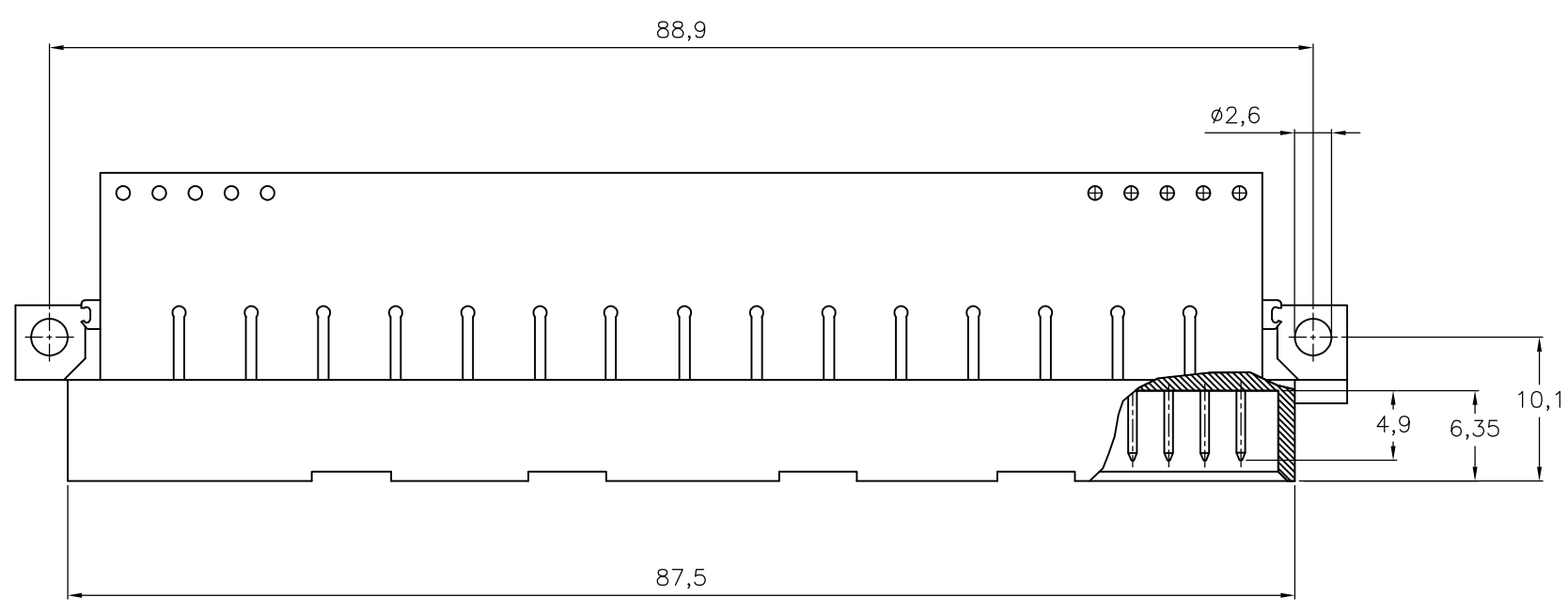


THIS DRAWING IS UNPUBLISHED. RELEASED FOR PUBLICATION
 © COPYRIGHT 2011 By - ALL RIGHTS RESERVED.

LOC	DIST	REVISIONS			
P	LTR	DESCRIPTION	DATE	DWN	APVD
-	-	B	REVISED PER ECO-14-001517	31JAN2014	AP RP



- 1 MATERIAL:
 -HOUSING: THERMOPL. POLYESTER
 COLOUR : GREY
 -CONTACTS: BRASS
- 2 PLATING CONTACT:
 PLATING AT INTERFACE TO MEET CLASS II PERFORMANCE
 CRITERIA OF DIN 41612 SPECIFICATION
 Sn OVER 1.25µm Ni AT PCB INTERFACE
- 3 SOLDERPOSTS SUITABLE FOR P.C.B HOLES
 0,8 ±0,05 OR 1,0±0,1 DIA.

ROW	a	b	c	d
a	x	x	x	x
b	x	x	x	x
c	x	x	x	x
d	x	x	x	x

AN ASTERISK „X” DENOTES A CONTACT.

SEE NOTE 2 FINISH	SEE NOTE 1 MATERIAL	106739-4 PART NUMBER
-------------------------	---------------------------	-------------------------

THIS DRAWING IS A CONTROLLED DOCUMENT.		DWN R.v.L./Grzybowski 30NOV2011	TE Connectivity	
DIMENSIONS: mm		CHK -		
TOLERANCES UNLESS OTHERWISE SPECIFIED:		APVD R.FIJTEN 18NOV00	NAME 128 POSITION C MALE SOLDER CONNECTOR	
0 PLC ± -		PRODUCT SPEC -	APPLICATION SPEC -	
1 PLC ± -		WEIGHT -	SIZE A3	CAGE CODE 00779
2 PLC ± -		DRAWING NO C-106739		
3 PLC ± -		RESTRICTED TO -		
4 PLC ± -		SCALE NTS		
ANGLES ± -		SHEET 1 OF 1		
FINISH -		REV B		