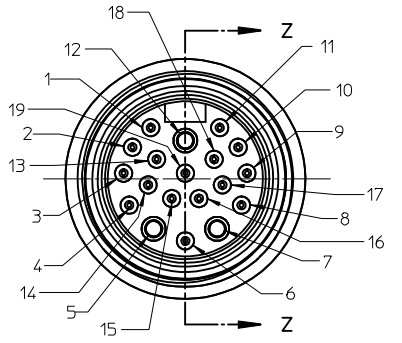
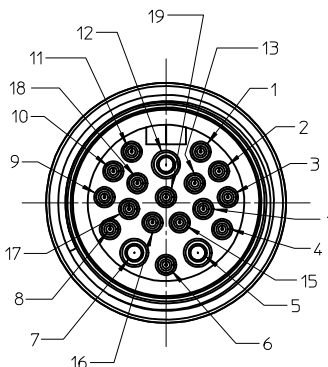
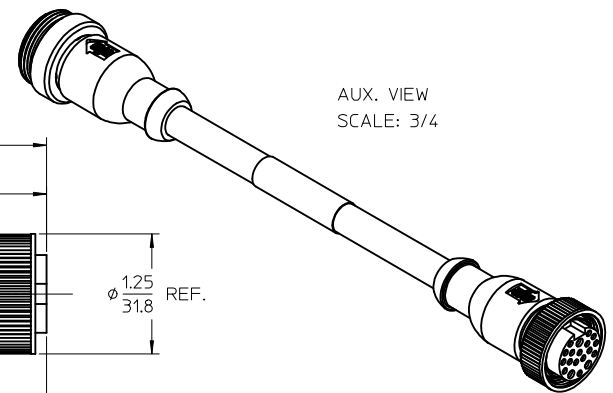
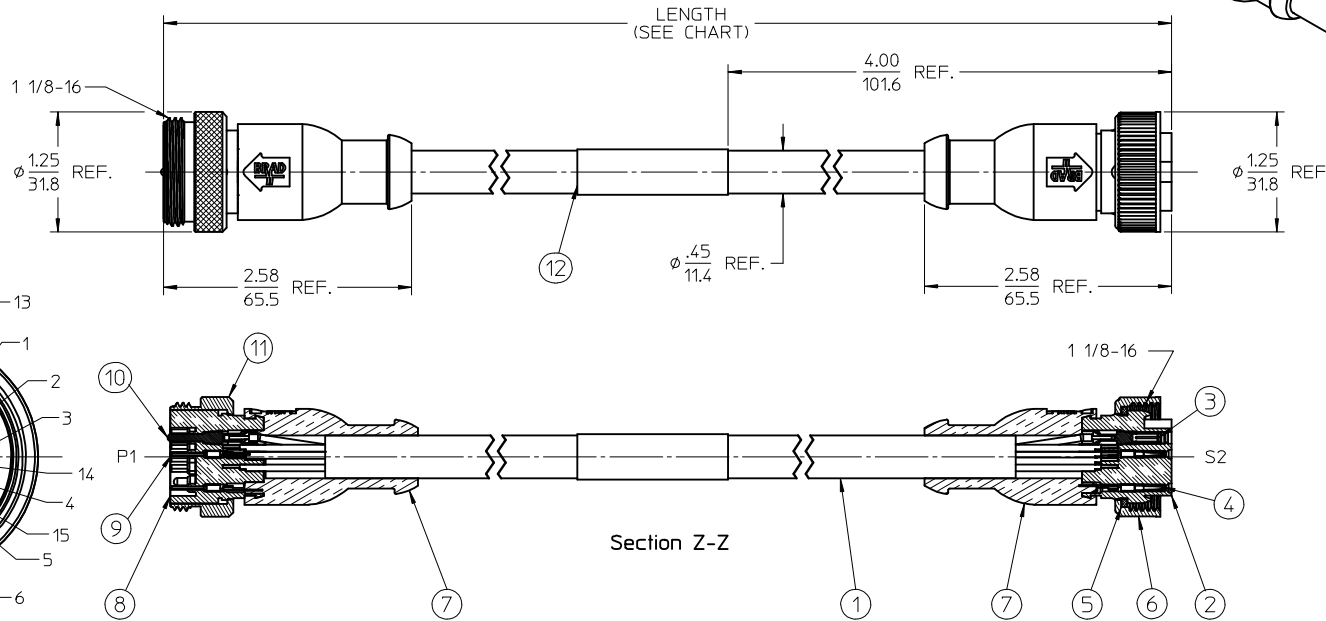


MATERIAL NO.	ENGINEERING NO.	LENGTH
1300120339	333030P80M050	16' 5" +6.50-0 (5M +16.5cm-0)
1300120341	333030P80M100	32' 10" +12.50-0 (10M +31.8cm-0)



- NOTES:
- MATERIAL: SEE TABLE
  - FINISHES: SEE TABLE
  - MATES WITH: 19 POLE MALE MINI-CHANGE
  - ELECTRICAL SPECIFICATIONS:  
VOLTAGE RATING: 300V AC/DC  
CURRENT RATING: 3 AMPS (18 AWG)  
2 AMPS (22 AWG)
  - ASSEMBLY IS RoHS COMPLIANT

P1	VIOLET	S2	1
2	RED	2	2
3	GRAY	3	3
4	RED/BLUE	4	4
5	BLUE (-VE)	5	5
6	GREEN	6	6
7	BROWN (+VE)	7	7
8	WHITE/GREEN	8	8
9	WHITE/YELLOW	9	9
10	WHITE/GRAY	10	10
11	BLACK	11	11
12	YELLOW/GREEN (GRD)	12	12
13	YELLOW/BROWN	13	13
14	BROWN/GREEN	14	14
15	WHITE	15	15
16	YELLOW	16	16
17	PINK	17	17
18	GRAY/BROWN	18	18
19	GRAY/PINK	19	19

WIRING DIAGRAM

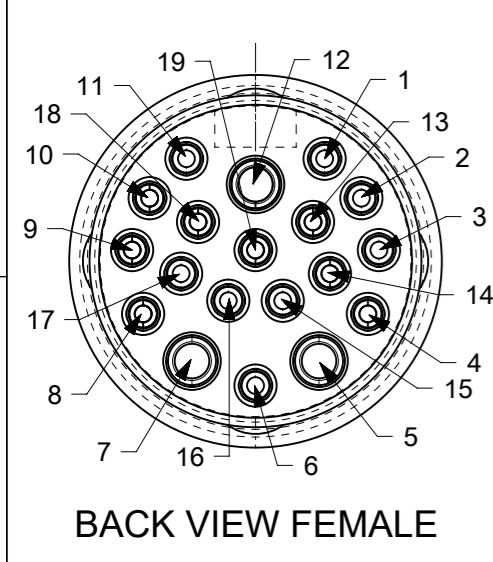
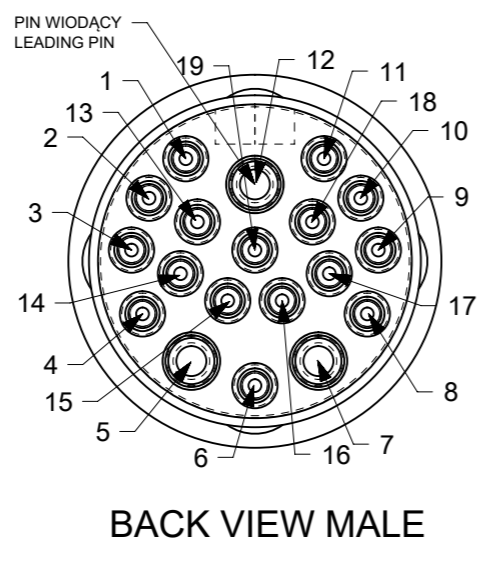
12	1	WRAP LABEL	PLASTIC FILM	YELLOW/BLACK
11	1	COUPLING NUT, C-SIZE, MALE	ALUMINUM	BLACK ANNDIZED
10	3	CONTACT PIN, 18 AWG	Cu ALLOY	GOLD PLATED
9	16	CONTACT PIN, 20 AWG	Cu ALLOY	GOLD PLATED
8	1	INSERT, MALE, 19 POLE	PVC	YELLOW
7	2	OVERMOLD	PVC	YELLOW
6	1	COUPLING NUT, C-SIZE, FEMALE	DIE CAST ZINC	BLACK
5	1	FRICION RING, C-SIZE	NYLON	WHITE
4	16	CONTACT SOCKET	Cu ALLOY	GOLD PLATED
3	3	CONTACT SOCKET/SLEEVE ASSY	BRASS/SS	GOLD PLATED
2	2	INSERT, FEMALE, 19 POLE	PVC	YELLOW
1	1	CABLE, 3 X 0.75mm <sup>2</sup> (18 AWG) + 16 X 0.34mm <sup>2</sup> (22 AWG)	PUR OUTER JACKET	BLACK
ITEM	QTY.	DESCRIPTION	MATERIAL	FINISH

RELEASED  
EC NO: MNA2010-0113  
DRAWN BY: DRWINSTONE 2009/08/21  
CHKD BY: WOODMAN  
APPR: J. MURPHY 2009/08/21

QUALITY SYMBOLS ▽=0 ▽=0	GENERAL TOLERANCES (UNLESS SPECIFIED)	DIMENSION STYLE IN/MM	SCALE 1:1	DESIGN UNITS INCH	THIRD ANGLE PROJECTION
	4 PLACES ± --- ± --- 3 PLACES ± --- ± --- 2 PLACES ± --- ± .01 1 PLACE ± 0.3 ± --- ANGULAR ± 1/2°	DRAWN BY R. STONE DATE 2009/08/19	CHECKED BY B. WOODMAN DATE 2009/08/20	TITLE MINI-CHANGE 19 POLE MALE/FEMALE, STRAIGHT CABLE ASSEMBLY (WEU)	MOLEX INCORPORATED
DRAFT WHERE APPLICABLE MUST REMAIN WITHIN DIMENSIONS	MATERIAL NO. SEE CHART	APPROVED BY J. MURPHY DATE 2009/04/16	DOCUMENT NO. SD-130012-004	SHEET NO. 1 OF 1	
THIS DRAWING CONTAINS INFORMATION THAT IS PROPRIETARY TO MOLEX INCORPORATED AND SHOULD NOT BE USED WITHOUT WRITTEN PERMISSION					

WIRING CONFIGURATION

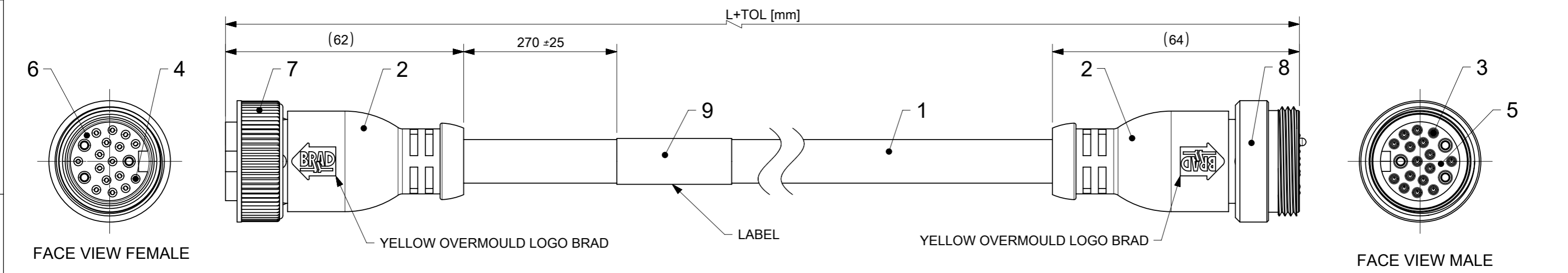
PIN	WIRE COLOR
1	VIOLET
2	RED
3	GREY
4	RED-BLUE
5	BLUE
6	GREEN
7	BROWN
8	WHITE-GREEN
9	WHITE-YELLOW
10	WHITE-GREY
11	BLACK
12	YELLOW-GREEN
13	YELLOW-BROWN
14	BROWN-GREEN
15	WHITE
16	YELLOW
17	PINK
18	GREY-BROWN
19	GREY-PINK



MOLEX PN	ENGINEERING NO.	L [mm]	CABLE TYPE
1300120331	333030E80M020	2000	3x0.75mm <sup>2</sup> +16x0.34mm <sup>2</sup> , PVC YELLOW
1300120332	333030E80M050	5000	3x0.75mm <sup>2</sup> +16x0.34mm <sup>2</sup> , PVC YELLOW
1300120333	333030P80M010	1000	3x0.75mm <sup>2</sup> +16x0.34mm <sup>2</sup> , PUR BLACK
1300120334	333030P80M015	1500	3x0.75mm <sup>2</sup> +16x0.34mm <sup>2</sup> , PUR BLACK
1300120335	333030P80M020	2000	3x0.75mm <sup>2</sup> +16x0.34mm <sup>2</sup> , PUR BLACK
1300120336	333030P80M025	2500	3x0.75mm <sup>2</sup> +16x0.34mm <sup>2</sup> , PUR BLACK
1300120337	333030P80M030	3000	3x0.75mm <sup>2</sup> +16x0.34mm <sup>2</sup> , PUR BLACK
1300120338	333030P80M040	4000	3x0.75mm <sup>2</sup> +16x0.34mm <sup>2</sup> , PUR BLACK
1300120339	333030P80M050	5000	3x0.75mm <sup>2</sup> +16x0.34mm <sup>2</sup> , PUR BLACK
1300120340	333030P80M060	6000	3x0.75mm <sup>2</sup> +16x0.34mm <sup>2</sup> , PUR BLACK
1300120341	333030P80M100	10000	3x0.75mm <sup>2</sup> +16x0.34mm <sup>2</sup> , PUR BLACK
1300120343	333030P80M120	12000	3x0.75mm <sup>2</sup> +16x0.34mm <sup>2</sup> , PUR BLACK
1300120345	333030P80M150	15000	3x0.75mm <sup>2</sup> +16x0.34mm <sup>2</sup> , PUR BLACK
1300120346	333030P80M160	16000	3x0.75mm <sup>2</sup> +16x0.34mm <sup>2</sup> , PUR BLACK
1300120349	333030P80M200	20000	3x0.75mm <sup>2</sup> +16x0.34mm <sup>2</sup> , PUR BLACK
1300120350	333030P80M220	22000	3x0.75mm <sup>2</sup> +16x0.34mm <sup>2</sup> , PUR BLACK
1300120351	333030P80M250	25000	3x0.75mm <sup>2</sup> +16x0.34mm <sup>2</sup> , PUR BLACK
1300120354	333030P80M300	30000	3x0.75mm <sup>2</sup> +16x0.34mm <sup>2</sup> , PUR BLACK
1300120357	333030P80M400	40000	3x0.75mm <sup>2</sup> +16x0.34mm <sup>2</sup> , PUR BLACK
1300128019	333030P80M2505	25000	3x0.75mm <sup>2</sup> +16x0.34mm <sup>2</sup> , PUR BLACK
1300128020	333030P80M0505	5000	3x0.75mm <sup>2</sup> +16x0.34mm <sup>2</sup> , PUR BLACK

REVISION A2	TRANSFERRED TO ECTR UPDATE TABLE 1
REVISION A3	OBSOLETE PART NUMBER 1300128031

- NOTES:
- MATERIAL: SEE BOM TABLE
  - FINISH: SEE BOM TABLE
  - CABLE: SEE TABLE 1
  - ELECTRICAL DATA:  
MAX. VOLTAGE: 300 AC/DC  
MAX. CURRENT: 3.0A(18 AWG) / 2.0A(22AWG)
  - ENVIRONMENTAL:  
PROTECTION IP67  
OPERATING TEMPERATURE -20°C TO +80°C
  - WRAP LABEL IS MARKED WITH P/N, DATA CODE, VOLTAGE AND AMPERAGE.



ITEM	QTY	DESCRIPTION	MATERIAL	FINISH/COLOR
9	1	LABEL 2.0X1.75	VINYL	YELLOW
8	1	NUT C-SIZE MALE	ALUMINIUM	BLACK
7	1	MC COUPLING NUT (C-SIZE)	BRASS	NICKEL
6	1	FEMALE INSERT MC-19P	APEX 4011	YELLOW
5	1	MALE INSERT MC-19P	APEX 4011	YELLOW
4	19	CONTACT 10 FEMALE	BRONZE	Cu/Ni2-4
3	19	CONTACT 10 MALE	BRONZE	NICKEL
2	-	MOULDING MATERIAL	PVC	YELLOW
1	-	CABLE 3x0.75+16x0.34	SEE TABLE 1	SEE TABLE 1

POWYŻEJ OVER	DO- WŁĄCZNIK UP TO AND INCLUDING	TOLREANCJA TOLERANCE
0	305	+19
305	915	+45
915	1830	+56
1830	3660	+89
3660	7320	+165
7320	14640	+317
14640	30500	+610
30500	>	+2% DŁUGOŚCI OF LENGTH

THIS DRAWING CONTAINS INFORMATION THAT IS PROPRIETARY TO MOLEX ELECTRONIC TECHNOLOGIES, LLC AND SHOULD NOT BE USED WITHOUT WRITTEN PERMISSION

DIMENSION UNITS: mm SCALE: 1:1

GENERAL TOLERANCES (UNLESS SPECIFIED):  
 ANGULAR TOL ± °  
 4 PLACES ±  
 3 PLACES ±  
 2 PLACES ±  
 1 PLACE ±  
 0 PLACES ±

DRAFT WHERE APPLICABLE MUST REMAIN WITHIN DIMENSIONS

THIRD ANGLE PROJECTION

DRAWING: A3-SIZE

SERIES: 130012

EC NO: 628886  
 DRWN: RPRABHUM 2019/08/23  
 CHK'D: GGA 2020/01/13  
 APPR: GGA 2020/01/13

INITIAL REVISION:  
 DRWN: EJABLONSKA01 2013/03/14  
 APPR: DGODZISZ 2013/06/04

CURRENT REV DESC: OBSOLETE PART NO

**molex**

CSE MC 19P FE MA PUR XM DE

PRODUCT CUSTOMER DRAWING

DOCUMENT NUMBER: SD-130012-015  
 DOC TYPE: PSD  
 DOC PART: 001  
 REVISION: A3

MATERIAL NUMBER: SEE TABLE 1  
 CUSTOMER: GENERAL MARKET  
 SHEET NUMBER: 1 OF 1