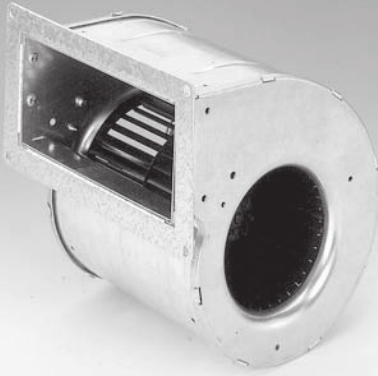


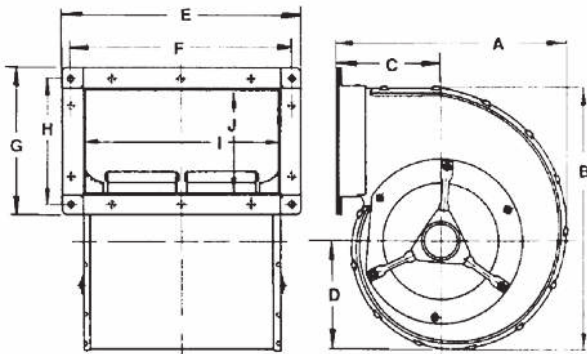
# D2E097 Series Centrifugal Blower

Ø 97mm



- AC dual inlet, forward curved centrifugal blower. Via a bracket, the integrated external-rotor motor is mounted on one side of the housing.
- Direction of rotation is CW as seen from inlet opposite the cable exit. Insulation class "B".
- Housing and impeller made of galvanised sheet-steel. Forward curved impellers are directly press-fitted onto the rotor of the external-rotor motor.
- Maintenance-free ball bearings.
- UL, CSA, VDE approvals on some models, please contact application engineering.

Part Number	Curve	CFM @ 0	VAC	Hertz	Power (W)	dB(A)	Max Amb. Temp. C	Bearing Type	Features	Capacitor (µF)	Wgt. (lbs)
D2E097-CB11-26	2	120	115	60	43	47	60	Ball	Leads	5	2.69
D2E097-CB11-32	2	120	115	50/60	43	47	60	Ball	Leads	5	2.69
D2E097-BE11-77	3	156	115	60	50	45	45	Ball	Leads	6	3.50
D2E097-CB01-02	1	106	230	50/60	42	47	60	Ball	Leads	1.5	2.88
D2E097-CB01-12	1	106	230	50/60	42	47	60	Ball	Leads	1.5	2.88
D2E097-BE01-65	3	156	230	50/60	54	47	50	Ball	Leads	2	3.31



DIMENSIONS - Inches (mm)

PART NUMBER	A	B	C	D	E	F	G	H	I	J
D2E097-CB	5.67 (144)	5.39 (137)	2.99 (76)	2.44 (62)	5.51 (140)	5.04 (128)	3.07 (78)	2.60 (66)	4.25 (108)	1.81 (46)
D2E097-BE	6.38 (162)	6.50 (165)	3.39 (86)	2.68 (68)	7.09 (180)	6.61 (168)	3.94 (100)	3.46 (88)	5.75 (146)	2.64 (67)

