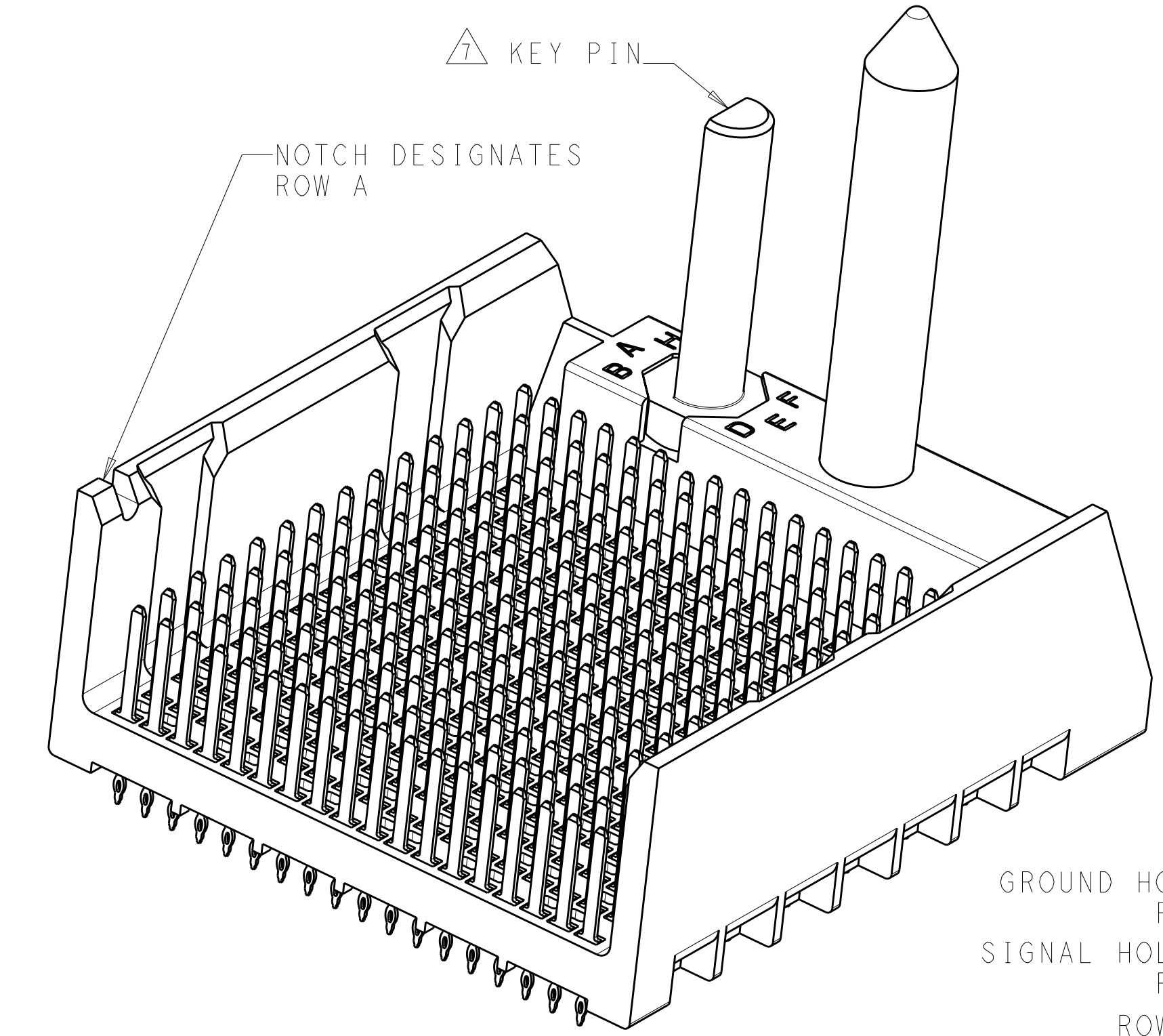
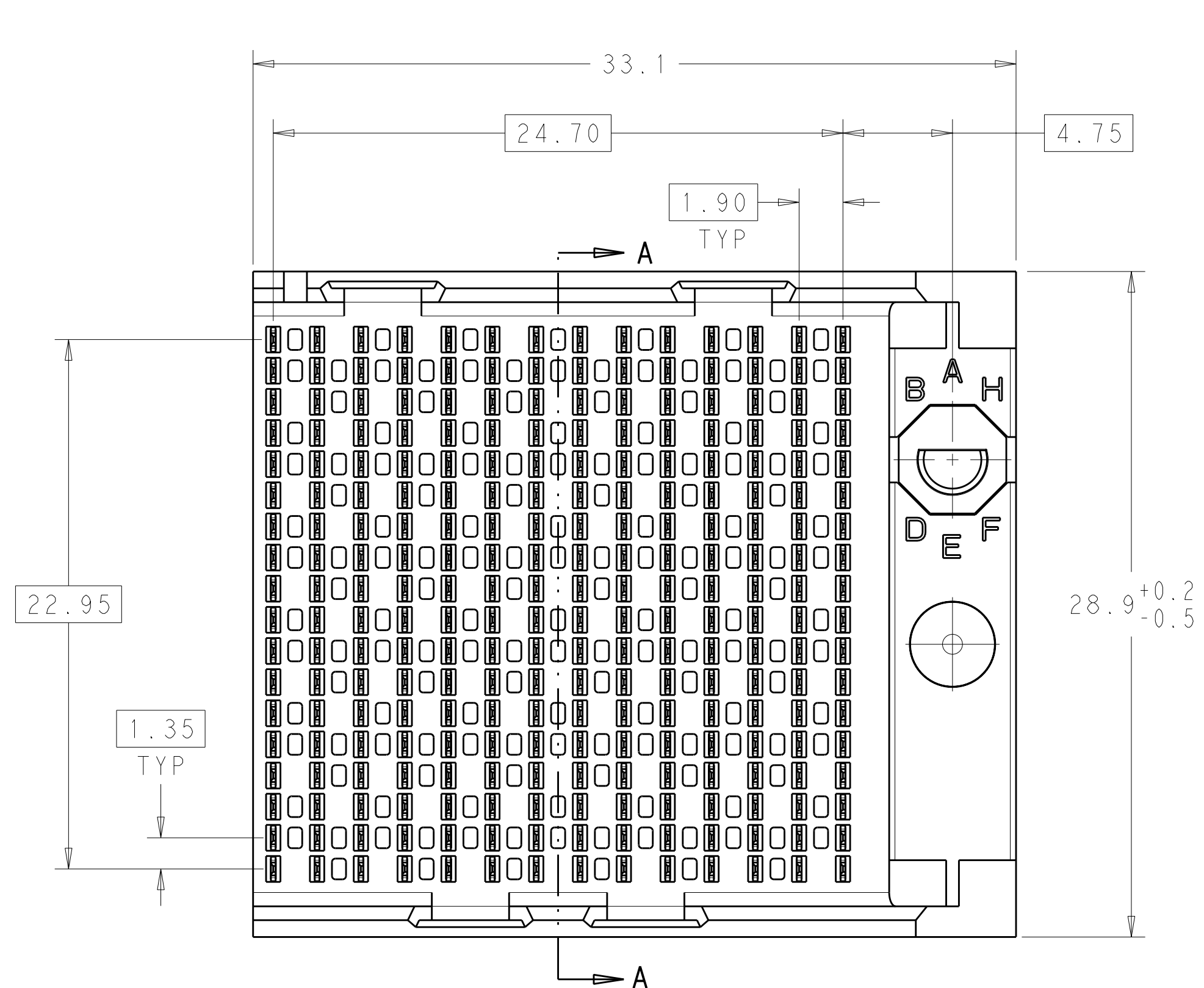
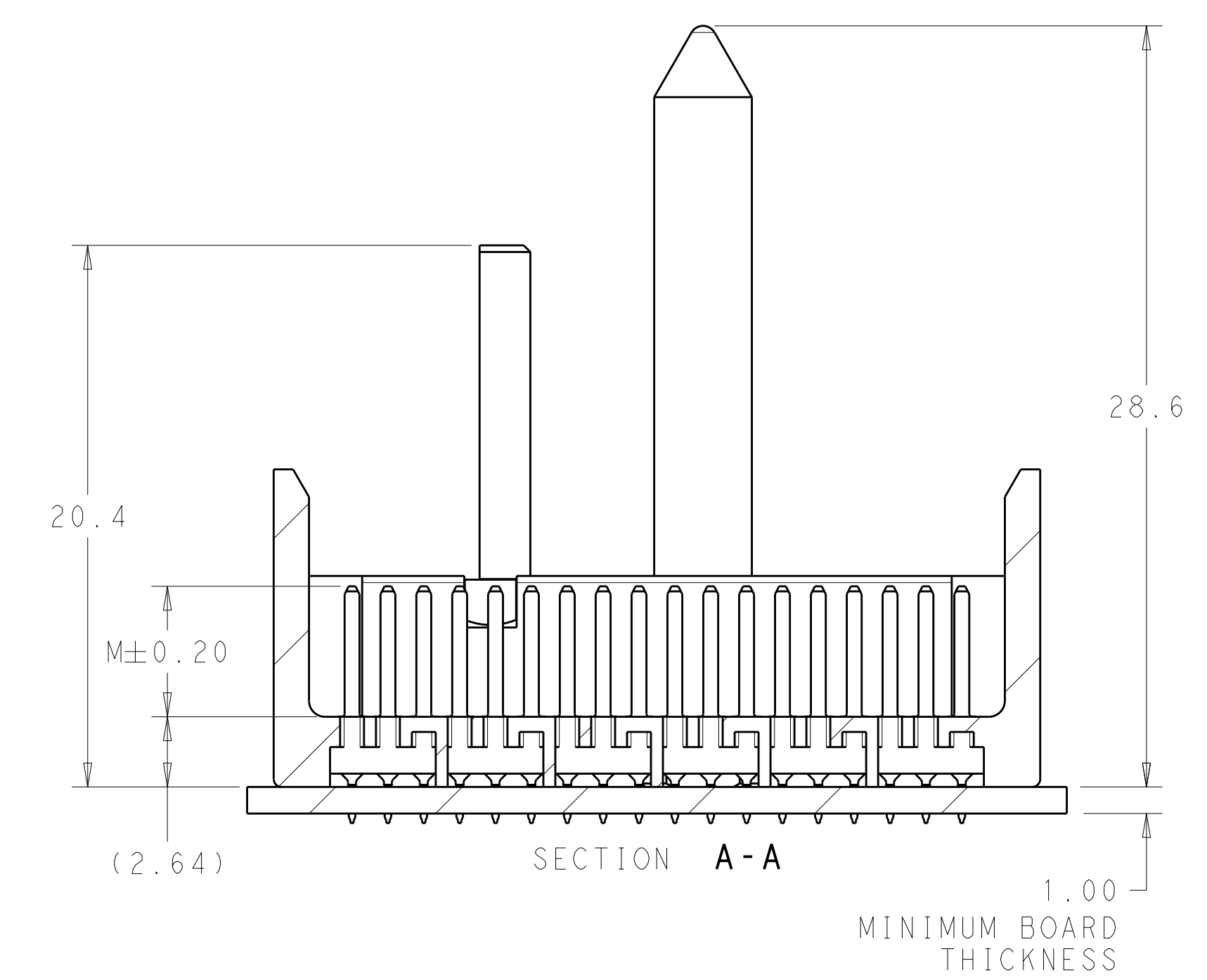
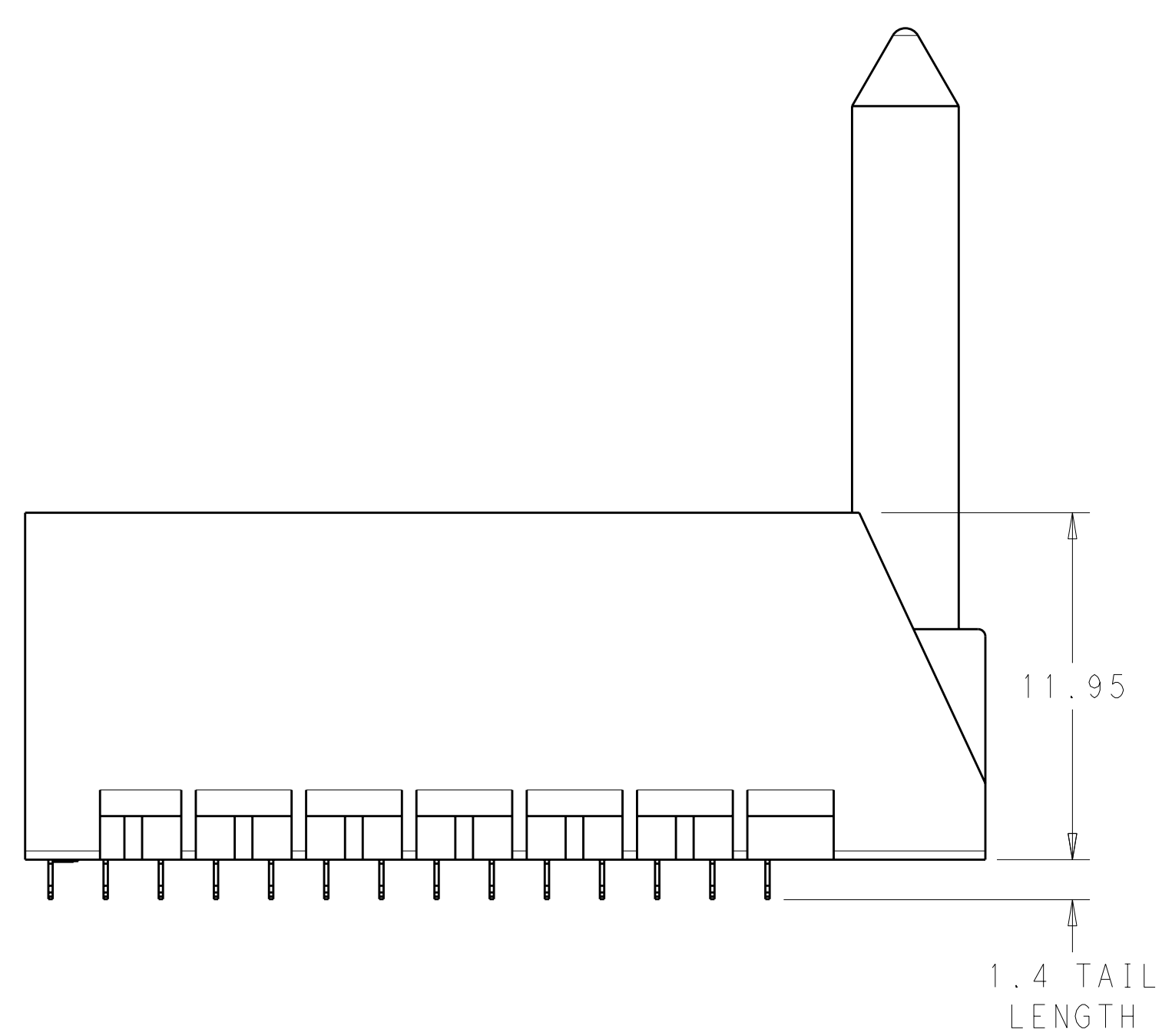
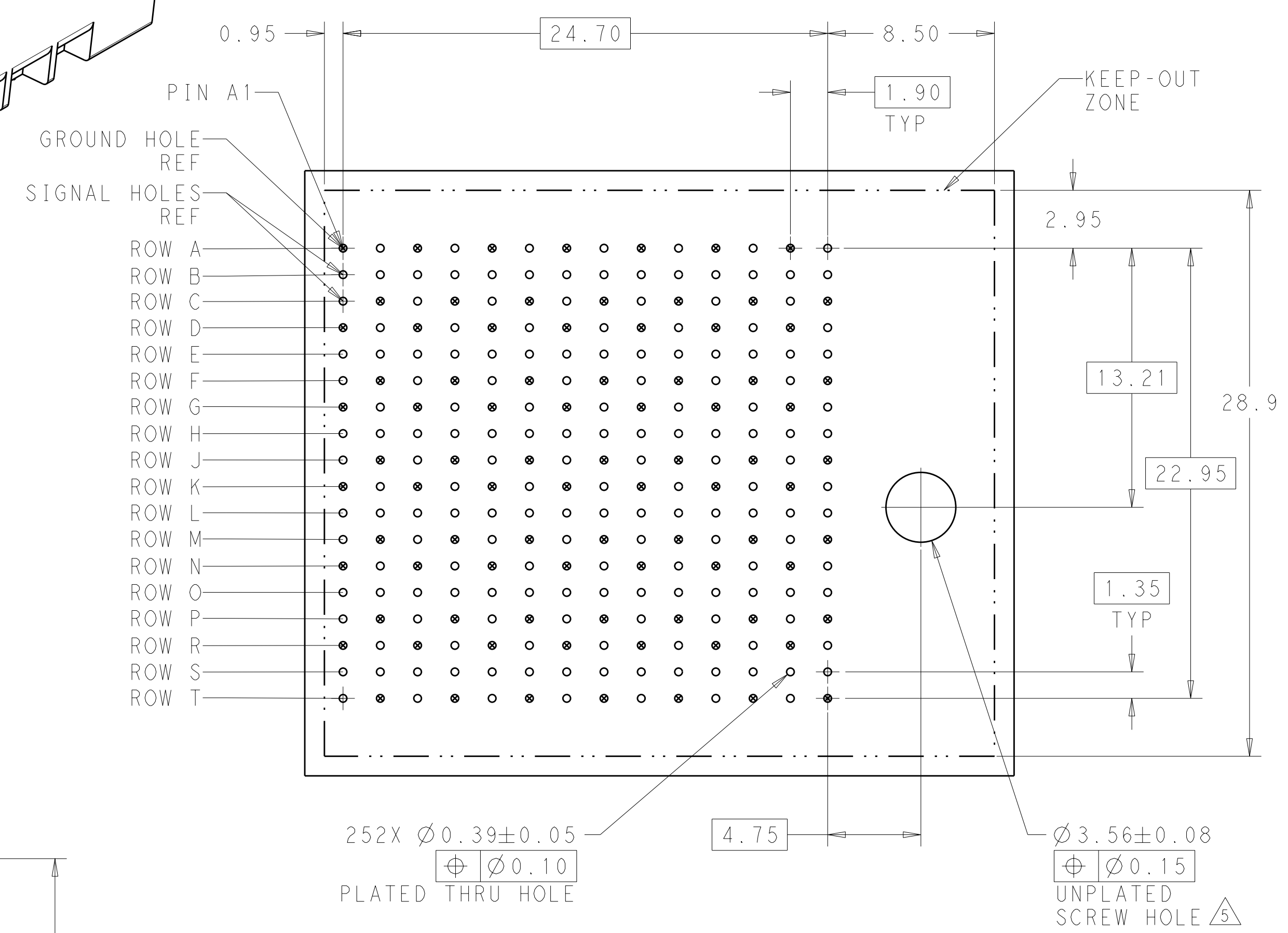


LOC	DIST	REV	DATE	BY	CHKD	APVD
AD	00	1	22MAR2011	JKS	JE	
		2	25MAR2011	JKS	JE	



- 1 MATERIAL: HOUSING: LCP, GLASS FILLED, UL94V-0. TERMINALS: HIGH PERFORMANCE COPPER ALLOY.
  - 2 FINISH: 30µ" MIN GOLD IN CONTACT AREA. SELECTIVE TIN ON PCB TAILS, NICKEL OVERALL.
  - 3 FINISH: 30µ" MIN GOLD IN CONTACT AREA. SELECTIVE TIN-LEAD ON PCB TAILS, NICKEL OVERALL.
  - 4. SCREWS PACKAGED IN END OF PACKAGING TUBE.
  - 5 FOR GROUNDED GUIDE PIN USE  $\phi 3.56 \pm 0.08$  PTH,  $\phi 3.66$  DRILL, AND  $\phi 6.5$  PAD.
  - 6. KEYING PIN SHOWN IN POSITION A. SEE KEYING CHART ON SHEET 2 FOR OTHER POSITIONS.
- OPTIONAL DEPENDING ON PART NUMBER.

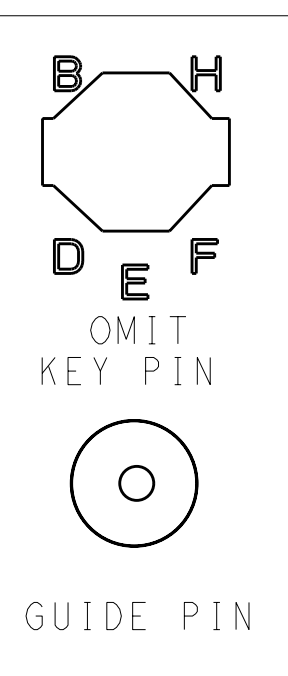


DESIGN APPROVED THIS PRINT IS  
**PRELIMINARY**  
 TO FIRST PIECE APPROVAL  
 CONTACT PRODUCT ENGINEERING  
 BEFORE USING THIS PRINT

THIS DRAWING IS A CONTROLLED DOCUMENT.		DWN J. K. SHOBER 22MAR2011		NAME	
DIMENSIONS: mm		CHK J. EBY 22MAR2011		IMPACT, 6 PAIR, 14 COLUMN, HEADER	
TOLERANCES UNLESS OTHERWISE SPECIFIED:		APVD J. EBY 22MAR2011		RT GUIDED, OPEN END WALL, SELECT LD	
9 PLC ±		PRODUCT SPEC		SIGNAL MODULE, 0.39 PTH	
1 PLC ±0.25		APPLICATION SPEC		SIZE CAGE CODE DRAWING NO	
3 PLC ±0.13		WEIGHT		A100779C=2180382	
4 PLC ±		CUSTOMER DRAWING		RESTRICTED TO	
ANGLES ±		SCALE 5:1		SHEET 1 OF 2	
FINISH SEE TABLE		REV 2			

LOC	DIST	P	LTR	DESCRIPTION	DATE	DWN	APVD
AD	00	-	-	SEE SHEET 1	-	-	-

2180382-1														
PART NUMBER		FINISH												
CONTACT LAYOUT														
A = 4.5mm (DIM M)														
B = 4.9mm (DIM M)														
C = 5.5mm (DIM M)														
COLUMNS														
	1	2	3	4	5	6	7	8	9	10	11	12	13	14
A	B	B	B	B	B	B	B	B	B	B	B	B	B	B
B	B	B	B	B	B	B	B	B	B	B	B	B	B	B
C	B	B	B	B	B	B	B	B	B	B	B	B	B	B
D	B	B	B	B	B	B	B	B	B	B	B	B	B	B
E	B	B	B	B	B	B	B	B	B	B	B	B	B	B
F	B	B	B	B	B	B	B	B	B	B	B	B	B	B
G	B	B	B	B	B	B	B	B	B	B	B	B	B	A
H	B	B	B	B	B	B	B	B	B	B	B	B	B	B
J	B	B	B	B	B	B	B	B	B	B	B	B	B	B
K	B	B	B	B	B	B	B	B	B	B	B	B	B	B
L	B	B	B	B	B	B	B	B	B	B	B	B	B	B
M	B	B	B	B	B	B	B	B	B	B	B	B	B	B
N	B	B	B	B	B	B	B	B	B	B	B	B	B	B
O	B	B	B	B	B	B	B	B	B	B	B	B	B	B
P	B	B	B	B	B	B	B	B	B	B	B	B	B	B
Q	B	B	B	B	B	B	B	B	B	B	B	B	B	B
R	B	B	B	B	B	B	B	B	B	B	B	B	B	A
S	B	B	B	B	B	B	B	B	B	B	B	B	B	B
T	B	B	B	B	B	B	B	B	B	B	B	B	B	B



KEY POSITION CHART	
NONE	
A	E
B	F
C	G
D	H

REFER TO WWW.TE.COM FOR PRODUCT AVAILABILITY

DESIGN APPROVED THIS PRINT IS  
**PRELIMINARY**  
 TO FIRST PIECE APPROVAL  
 CONTACT PRODUCT ENGINEERING  
 BEFORE USING THIS PRINT

THIS DRAWING IS A CONTROLLED DOCUMENT.		DWN J. K. SHOBER 22MAR2011	TE Connectivity												
DIMENSIONS: mm		CHK J. EARY 22MAR2011													
TOLERANCES UNLESS OTHERWISE SPECIFIED:		APVD J. EARY 22MAR2011	NAME IMPACT, 6 PAIR, 14 COLUMN, HEADER RT GUIDED, OPEN END WALL, SELECT LD SIGNAL MODULE, 0.39 PTH												
<table border="0"> <tr> <td>9 PLC</td><td>±</td></tr> <tr> <td>3 PLC</td><td>±0.25</td></tr> <tr> <td>5 PLC</td><td>±0.13</td></tr> <tr> <td>4 PLC</td><td>±</td></tr> <tr> <td>ANGLES</td><td>±</td></tr> <tr> <td>FINISH</td><td>±</td></tr> </table>		9 PLC	±	3 PLC	±0.25	5 PLC	±0.13	4 PLC	±	ANGLES	±	FINISH	±	PRODUCT SPEC	SIZE CAGE CODE DRAWING NO
9 PLC	±														
3 PLC	±0.25														
5 PLC	±0.13														
4 PLC	±														
ANGLES	±														
FINISH	±														
MATERIAL		APPLICATION SPEC	RESTRICTED TO												
SEE TABLE		WEIGHT	A100779C=2180382												
CUSTOMER DRAWING		SCALE 5:1	SHEET 2 OF 2 REV 2												