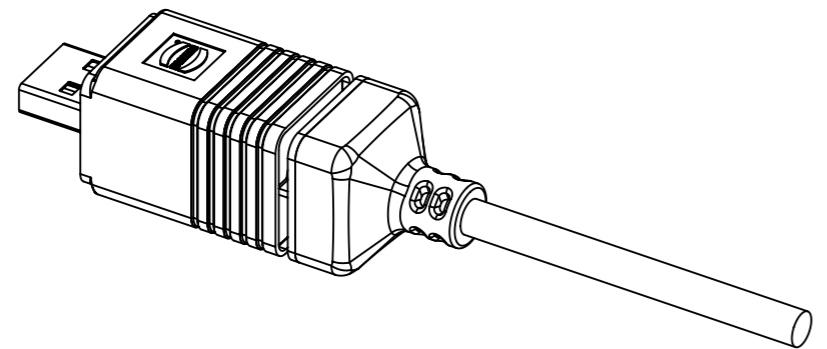


- loading-plan
- USB
- V Bus 1 ——— Red (or Orange)
 - D- 2 ——— White (or Gold)
 - D+ 3 ——— Green
 - GND 4 ——— Black (or Blue)
 - Shell ——— Shielding (GND)



further information see USB specification 2.0
www.usb.org and
 DS 09456230203

6	09 45 145 1925	HARTING PushPull USB2.0 Type A, cable shielded, 1 x PushPull USB open end	5,0 ±0,10
5	09 45 145 1924	HARTING PushPull USB2.0 Type A, cable shielded, 1 x PushPull USB open end	3,0 ±0,05
4	09 45 145 1923	HARTING PushPull USB2.0 Type A, cable shielded, 1 x PushPull USB open end	2,0 ±0,05
3	09 45 145 1922	HARTING PushPull USB2.0 Type A, cable shielded, 1 x PushPull USB open end	1,5 ±0,05
2	09 45 145 1921	HARTING PushPull USB2.0 Type A, cable shielded, 1 x PushPull USB open end	1,0 ±0,05
1	09 45 145 1920	HARTING PushPull USB2.0 Type A, cable shielded, 1 x PushPull USB open end	0,5 ±0,03
no.	part no.	description	length a [metre]

	All rights reserved		Scale 2:1	Free size tol.	Ref.
	Department EL PD		Created by STORCK	Inspected by ELLERMANN	Standardisation HOFFMANN
HARTING Electronics GmbH		Title HPP V4 USB2.0 typeA cable shielded, PushPull - open end			Date 2018-08-23
D-32339 Espelkamp		Type TB	Number 0945145192X		State Final Release
					Doc-Key / ECM-Nr. 100206995/UGD/029/B 500000139107
					Rev. B Page 1/1