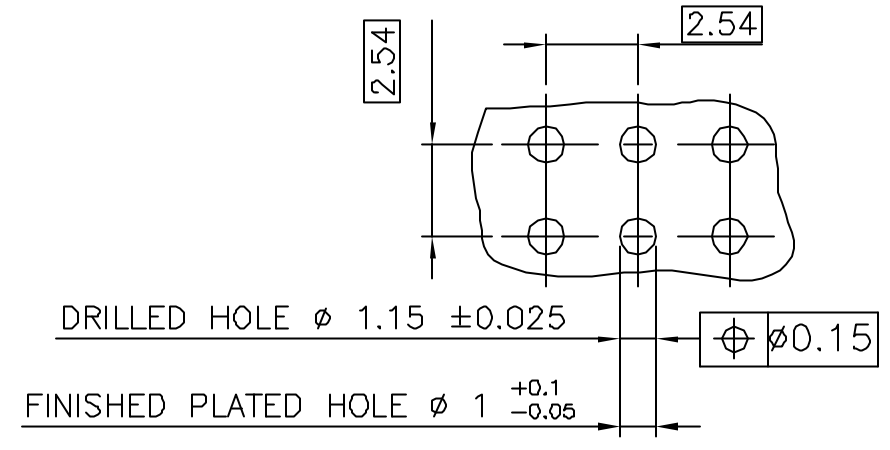
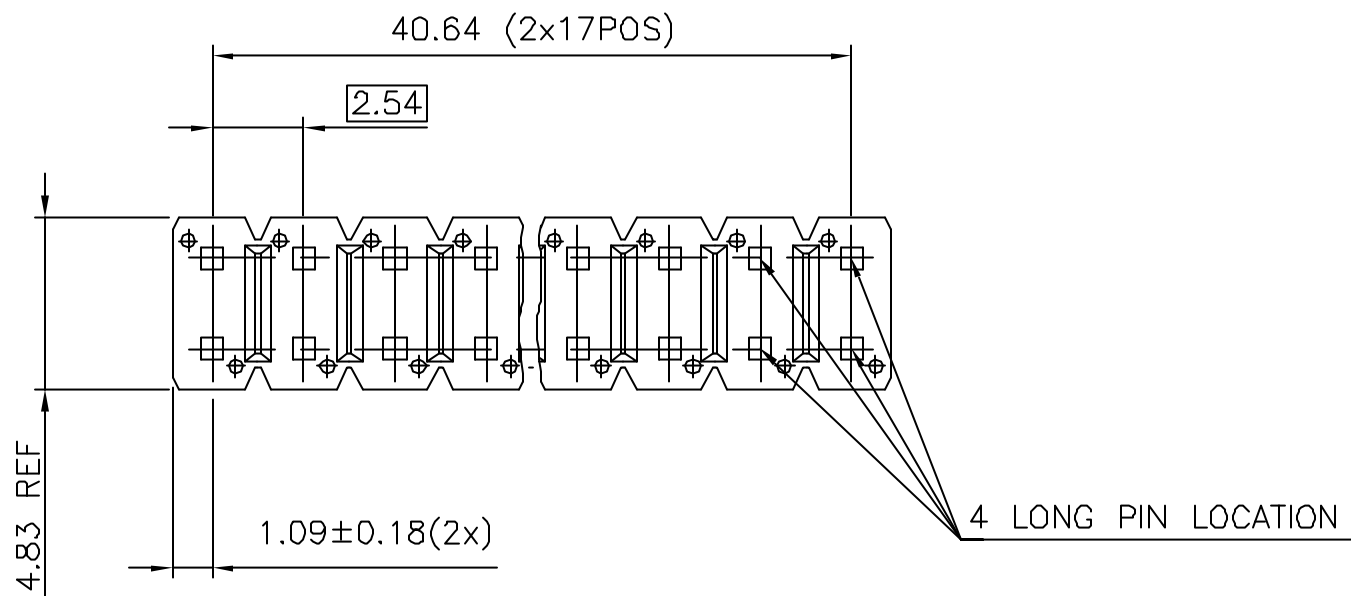
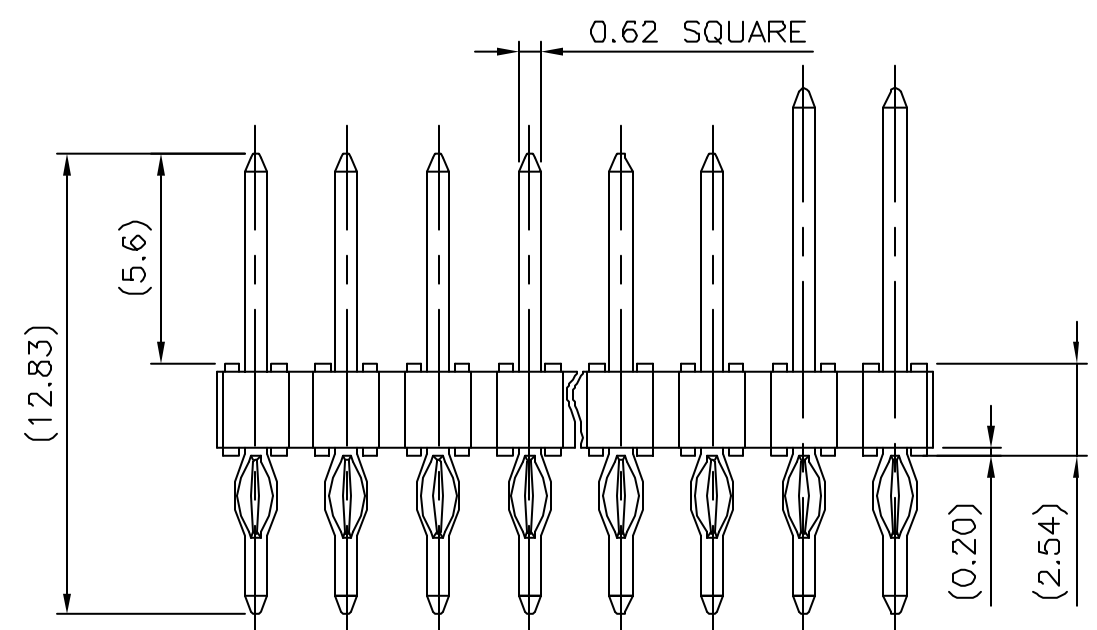


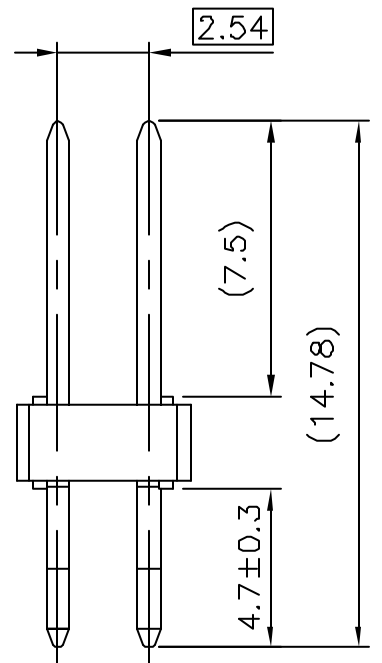
PRODUCT NUMBER	MADE FROM	
	SHORT PIN / QTY	LONG PIN / QTY
73371-101	30	4



RECOMMENDED HOLE PATTERN



NOTE 4



NOTES:

- 1 - HOUSING MAT'L : HIGH TEMPERATURE THERMOPLASTIC. UL94V-0 COLOR: BLACK
- 2 - PIN MATERIAL : PHOSPHOR BRONZE
- 3 - PRODUCT PACKAGED IN POLY BAGS.
- 4 - 9N MIN RETENTION IN EITHER DIRECTION

73371-1XX	0.76μm Au
PRODUCT NUMBER	PLATING THICKNESS OVER 1.27μm Ni

mat'l. code		surface	tolerance	projection	product family
		ISO 1302	ISO 406 ISO 1101		BSTIK
ltr	ecn no	dr	date	tolerances unless otherwise specified	title
A	F80624	VMQ	98.09.15	angles	HEADER P-FIT DR, FMLB
B	F10137	LMU	01.02.08	linear	
C	F03-0201	LMU	03.04.18		scale 5:1
D	F06-0196	LMU	06.06.13	dr	COMPAGNON J 98.03.27
		engr		chr	dwg no
		appd	JMC	98.09.16	73371
sheet index	revision sheet				sheet 1 of 1
					size A3
					type CUSTOMER Drawing