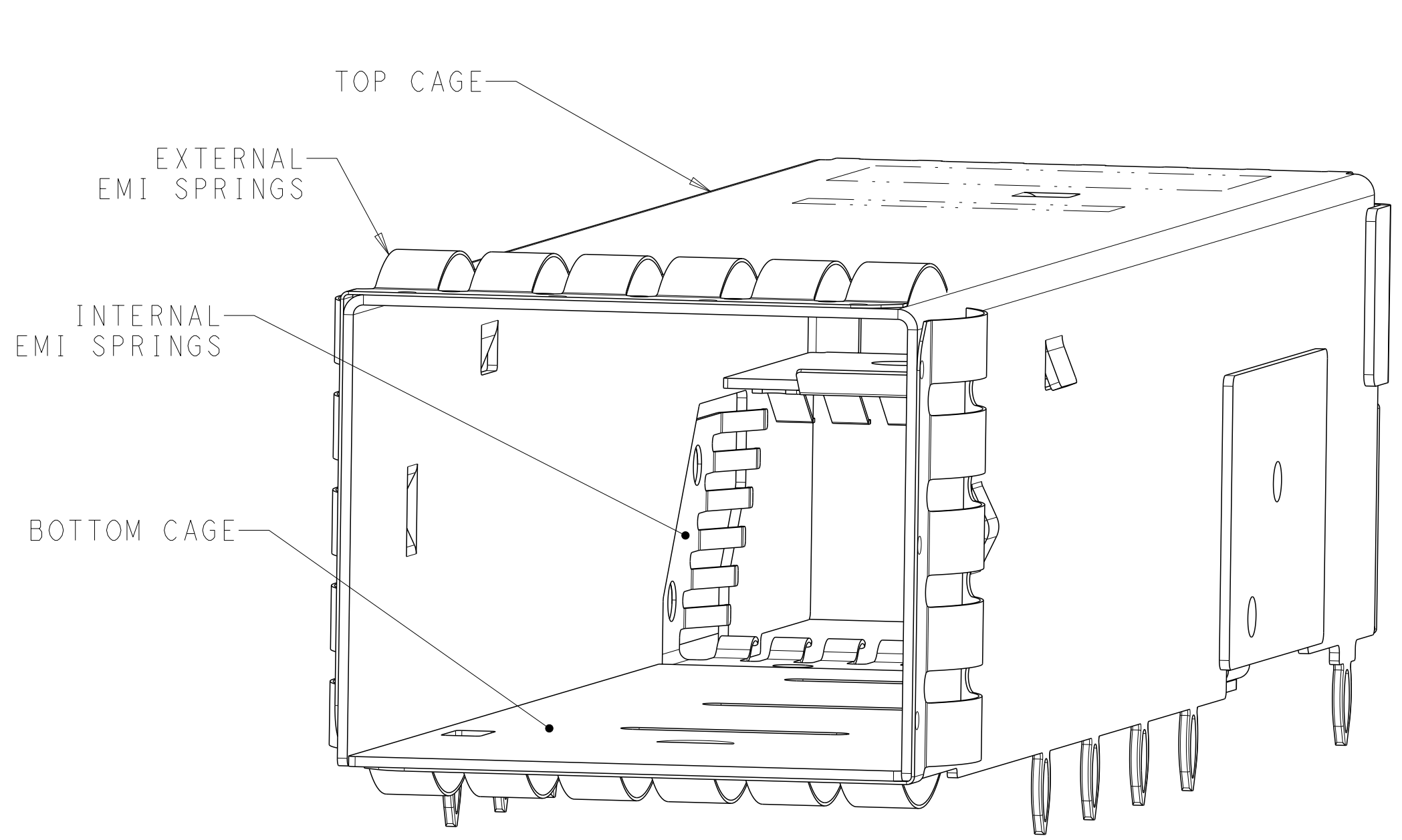
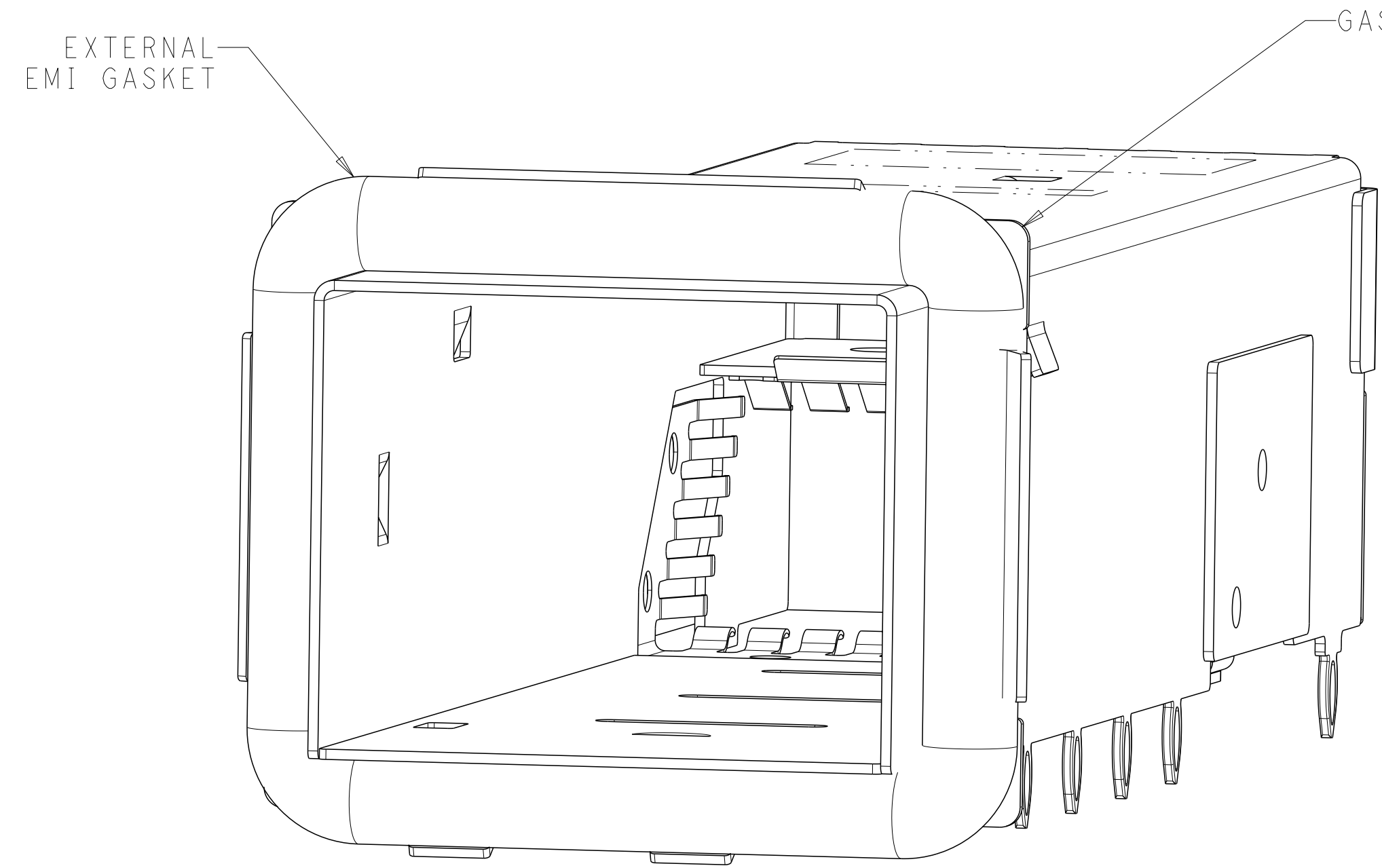


REVISIONS				
#	DATE	DESCRIPTION	OWN	APVD
A	05OCT2017	REVISED PER ECO-17-013049	A.P	E.B

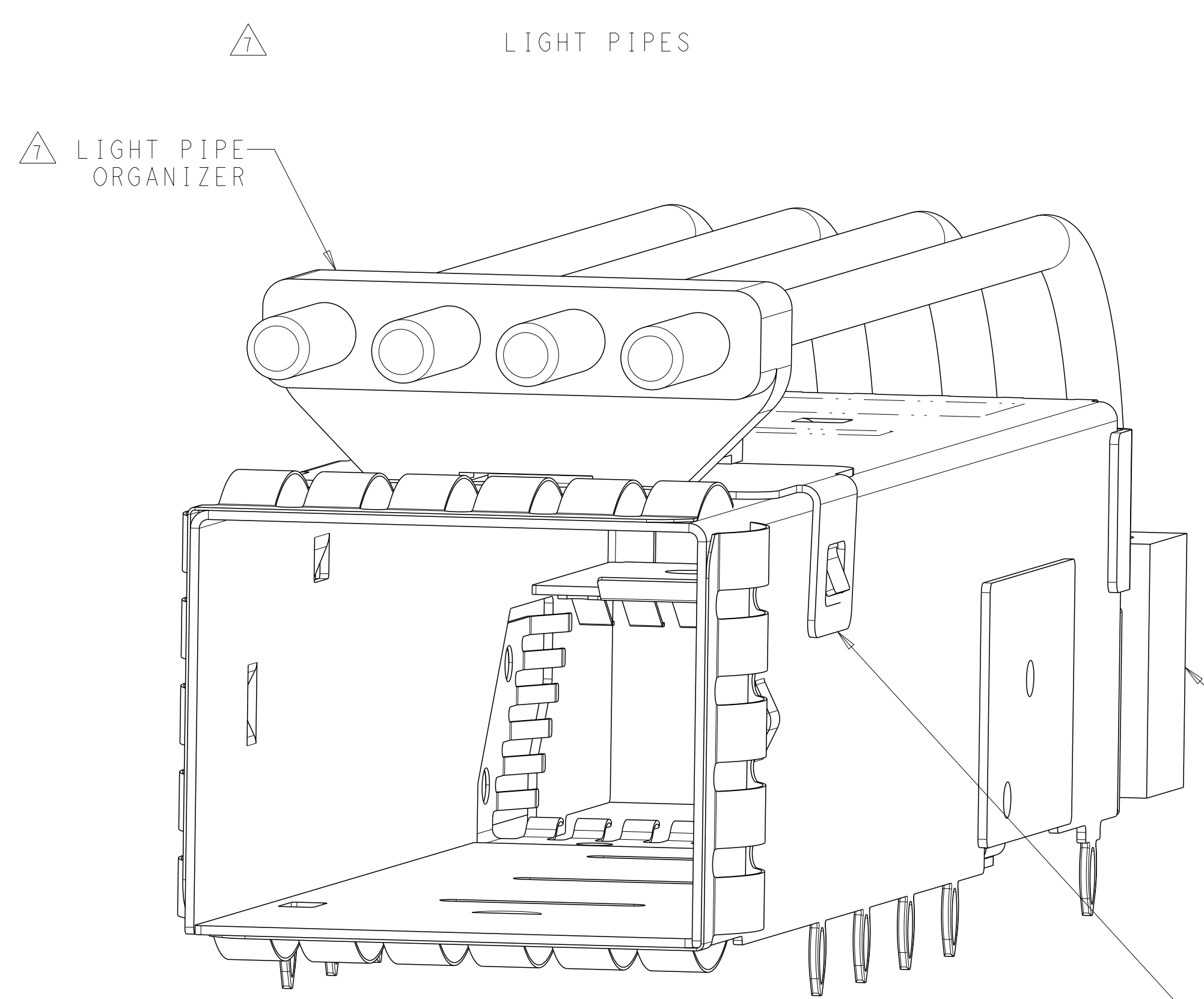


2297551-1  
ISOMETRIC VIEW  
SCALE 8:1

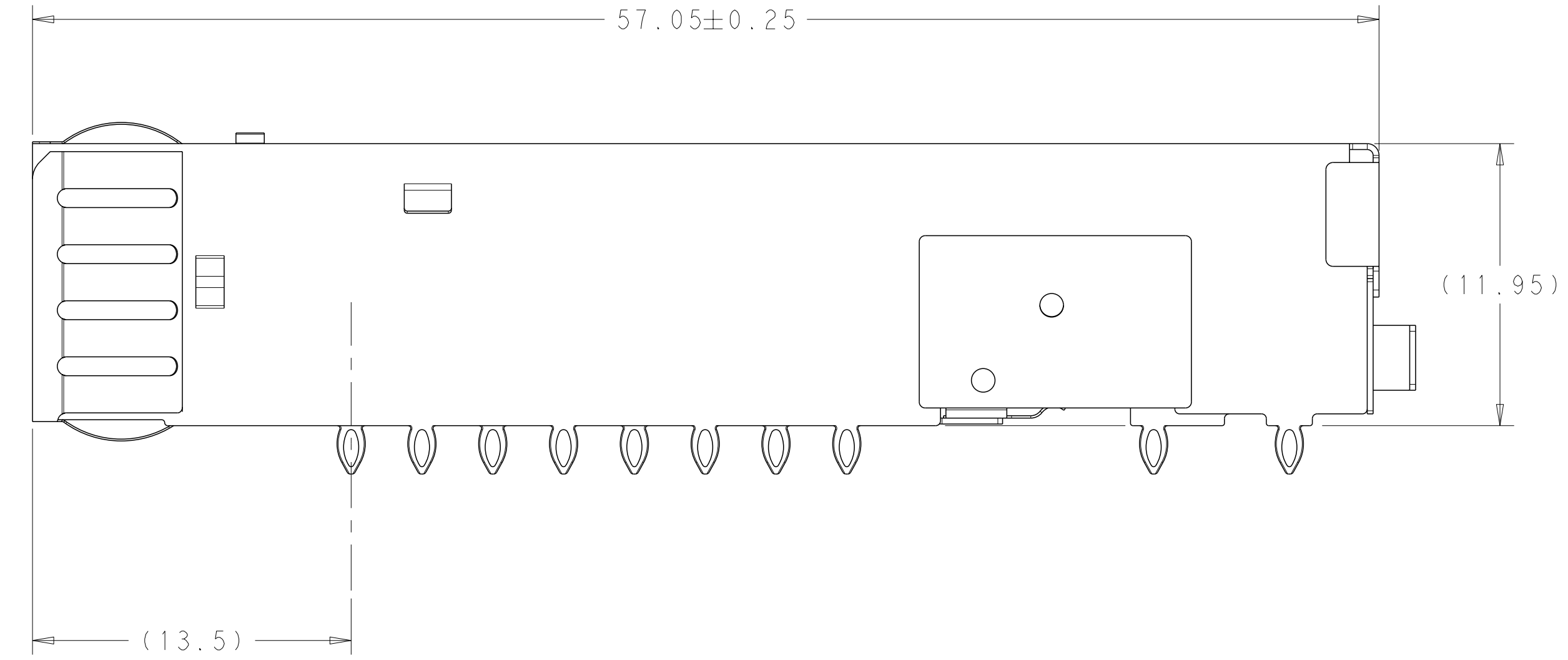
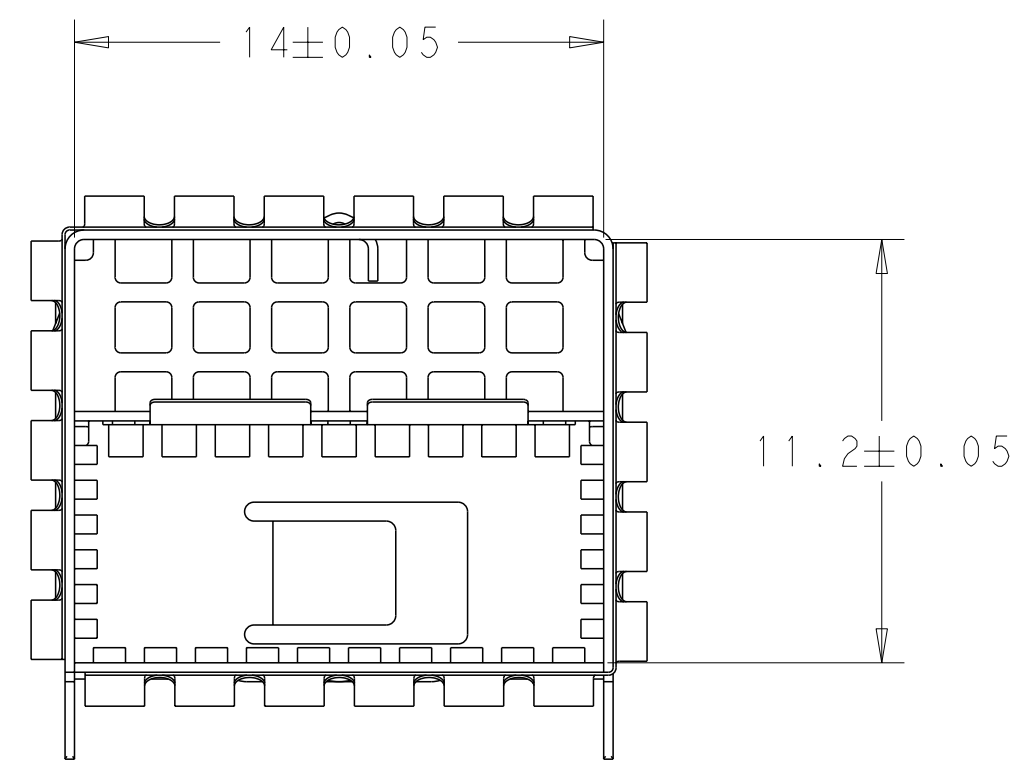


2297551-2  
ISOMETRIC VIEW  
SCALE 8:1

1. MATERIALS:  
 TOP AND BOTTOM CAGE - STAINLESS STEEL  
 GASKET FLANGE - STAINLESS STEEL  
 EXTERNAL EMI SPRINGS - COPPER ALLOY  
 EXTERNAL EMI GASKET - NICKEL CARBON  
 INTERNAL EMI SPRINGS - COPPER ALLOY  
 LIGHT PIPES - CLEAR POLYCARBONATE  
 LIGHT PIPE ORGANIZERS - POLYCARBONATE  
 LIGHT PIPE BRACKET - STAINLESS STEEL
2. FOR HOLE SIZE AND PLATINGS SEE APPLICATION SPEC 114-32151.
3. NOTE REMOVED.
4. LED PLACEMENT AREA FOR 4 LIGHT PIPE DASH NUMBERS.
5. LED PLACEMENT AREA FOR 2 LIGHT PIPE DASH NUMBERS.
6. LED PLACEMENT AREA FOR 1 LIGHT PIPE DASH NUMBERS.
7. LIGHT PIPE ASSEMBLY SHOWN ASSEMBLED TO CAGE ASSEMBLY FOR REFERENCE. LIGHT PIPE ASSEMBLY IS SHIPPED UNASSEMBLED TO CAGE ASSEMBLY.
8. COMPONENT KEEPOUT AND SURFACE TRACE KEEPOUT (EXCEPT CHASSIS GROUND).
9. COMPONENT KEEPOUT.



4-2297551-1  
ISOMETRIC VIEW  
SCALE 8:1



QTY	DESCRIPTION	PART NUMBER
4	GASKET	4-2297551-2
4	SPRING	4-2297551-1
2	GASKET	2-2297551-2
2	SPRING	2-2297551-1
1	GASKET	1-2297551-2
1	SPRING	1-2297551-1
0	GASKET	2297551-2
0	SPRING	2297551-1
LIGHT PIPES PER PORT		EXTERNAL EMI SHIELDING PART NUMBER

THIS DRAWING IS A CONTROLLED DOCUMENT.

OWN: C. VALENTINE 19JAN2016  
 CHK: E. BRIANT 19JAN2016  
 APVD: E. BRIANT 19JAN2016

STE TE Connectivity

NAME: CAGE ASSEMBLY, SINGLE PORT, microQSFP

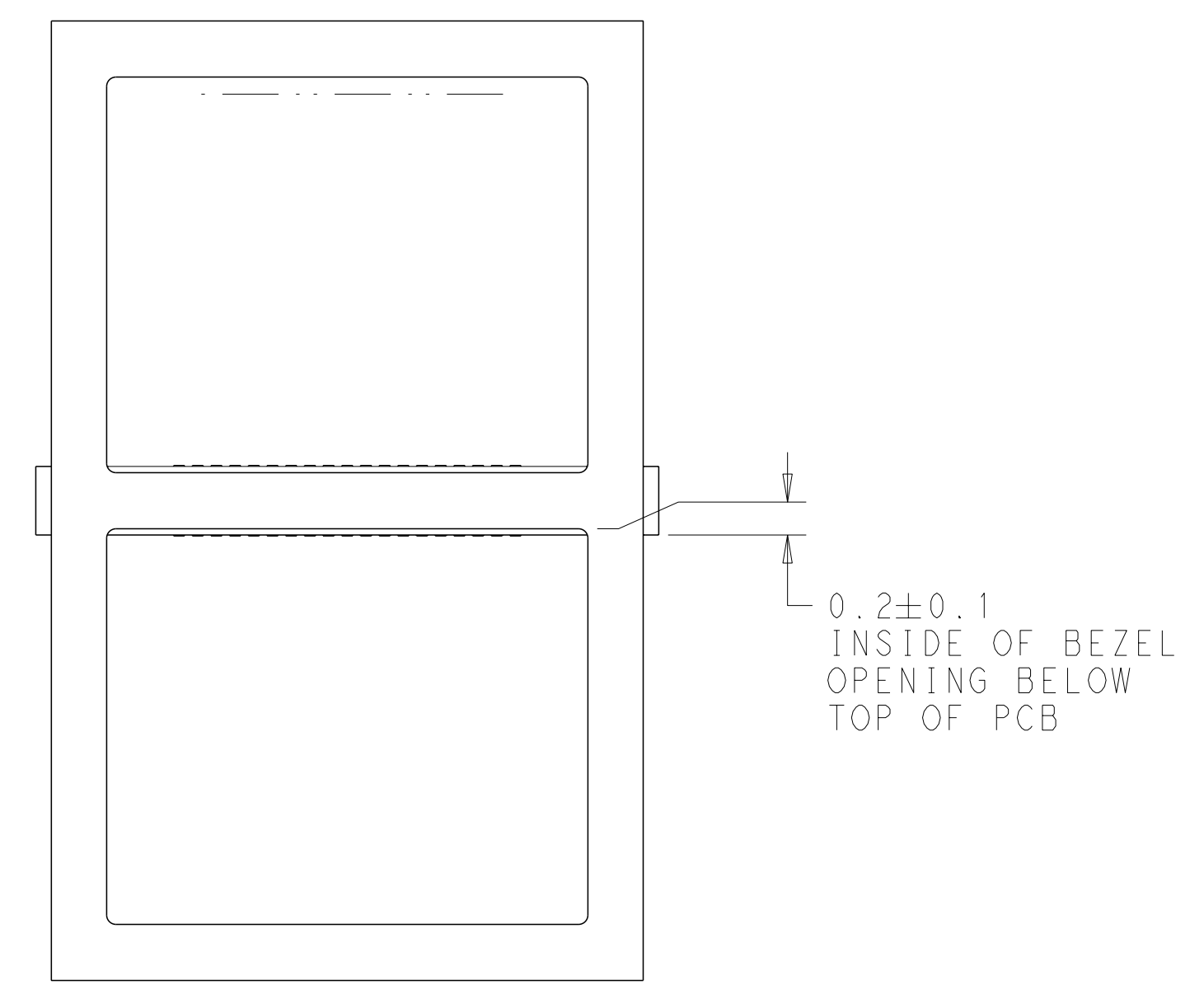
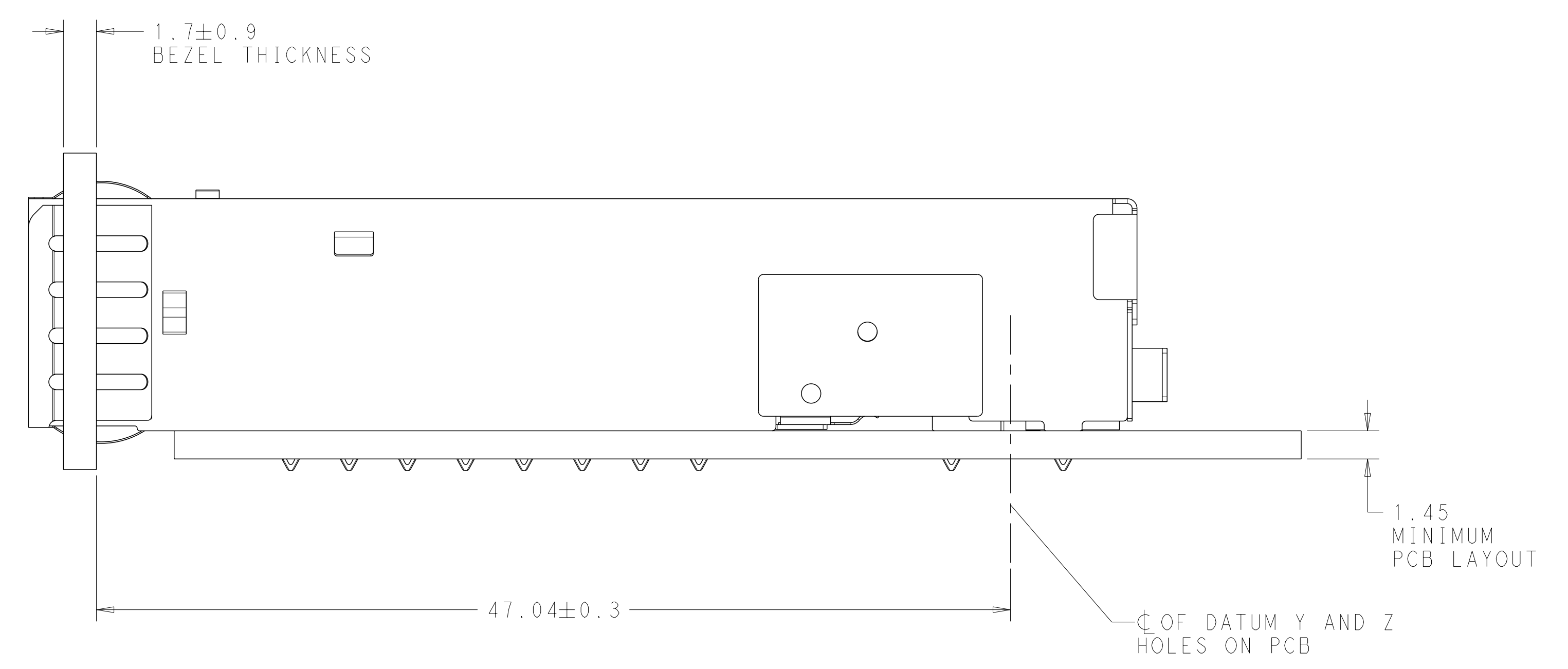
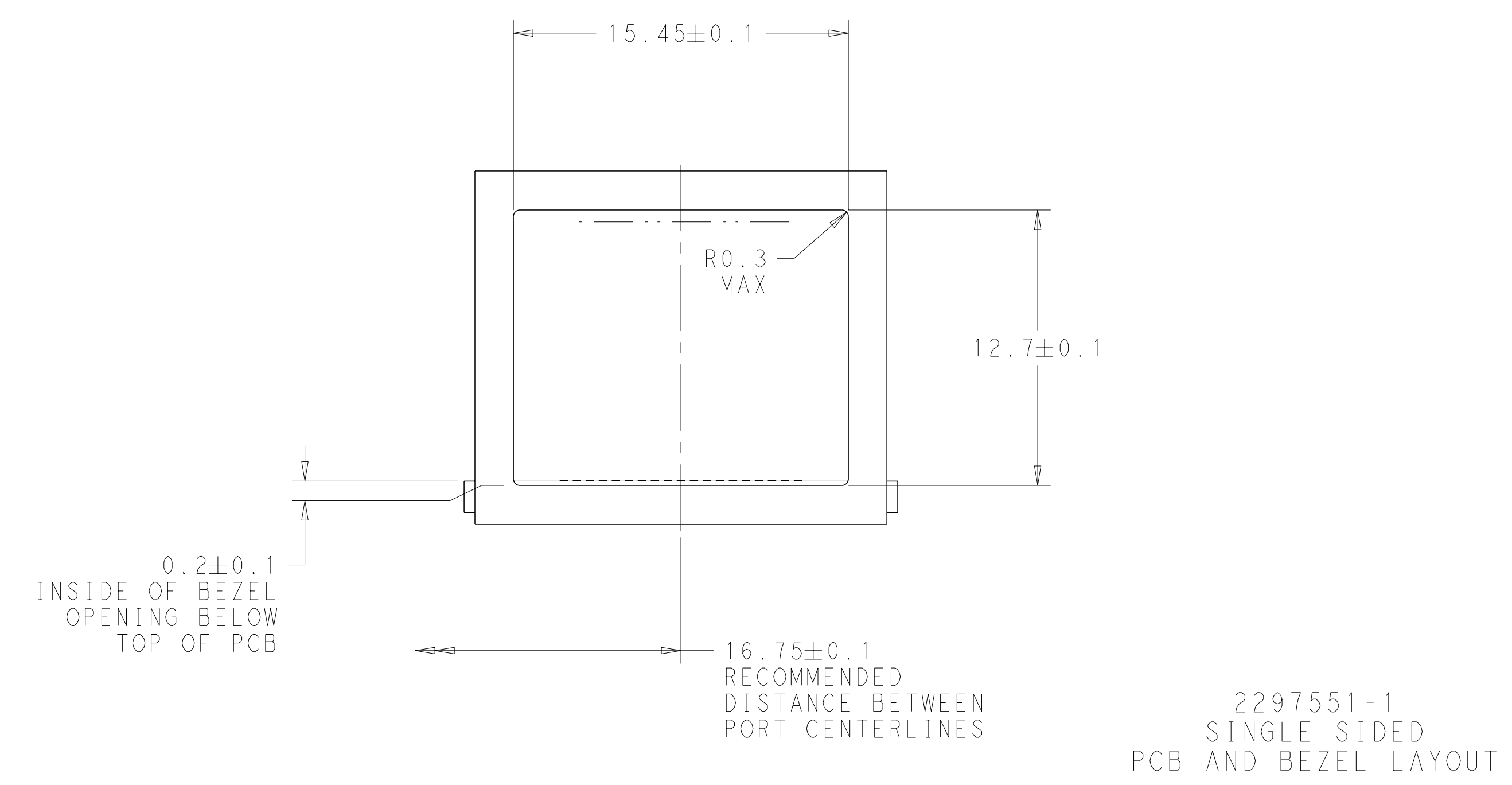
PRODUCT SPEC: 108-32129  
 APPLICATION SPEC: 114-32151

SIZE: A1  
 CAGE CODE: -  
 DRAWING NO: C=2297551

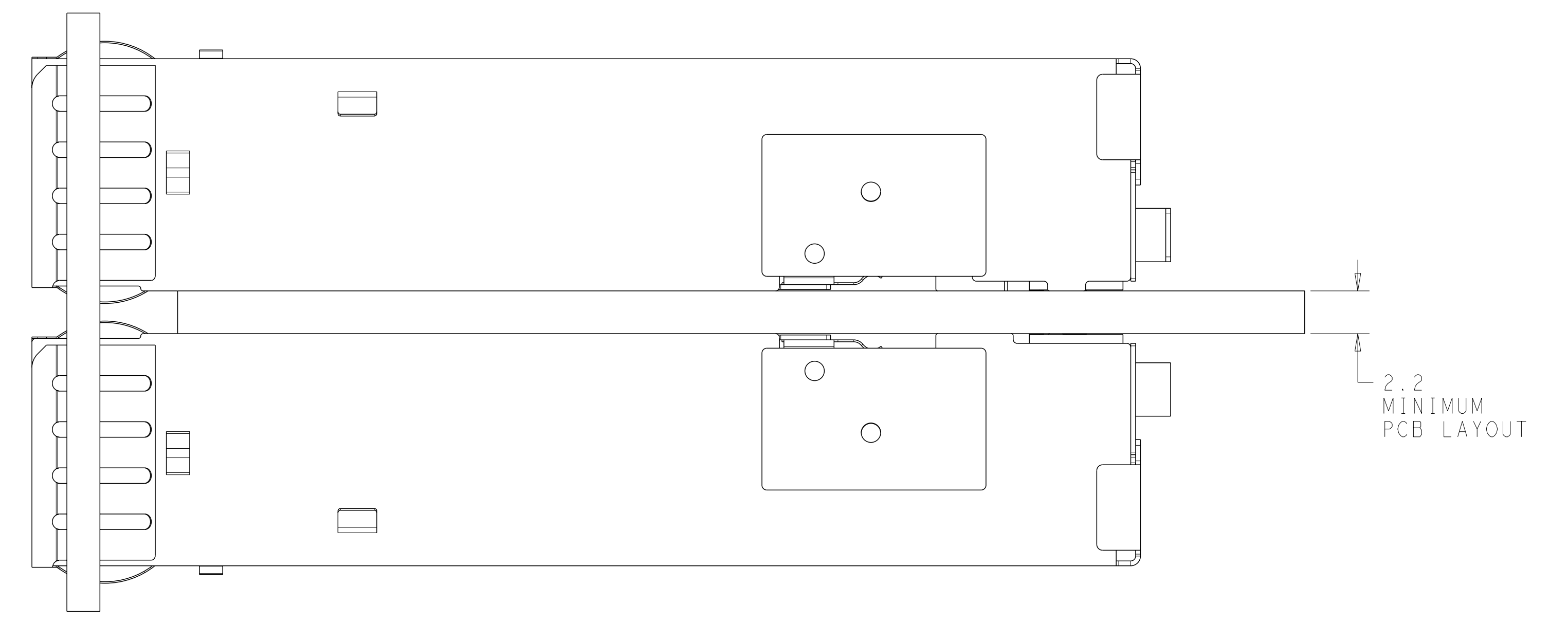
MATERIAL: -  
 FINISH: -  
 WEIGHT: -  
 Customer Drawing

SCALE: 5:1  
 SHEET: 1 of 6  
 REV: A

REVISIONS				
#	LY#	DESCRIPTION	DATE	OWN / APVD
-	-	SEE SHEET 1	-	-

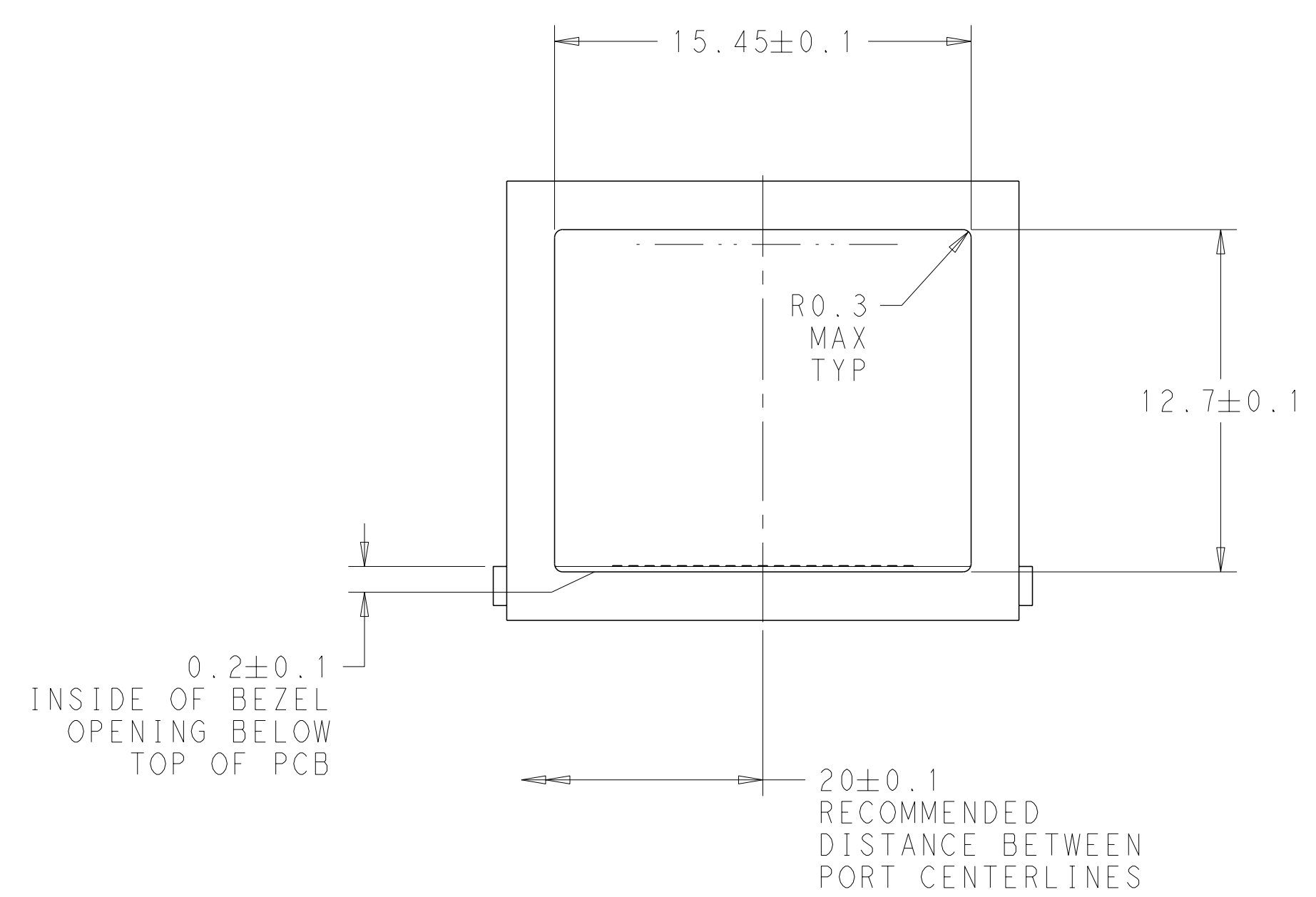


2297551-1  
BELLY TO BELLY  
SAME AS SINGLE SIDED  
EXCEPT WHERE NOTED  
PCB AND BEZEL LAYOUT

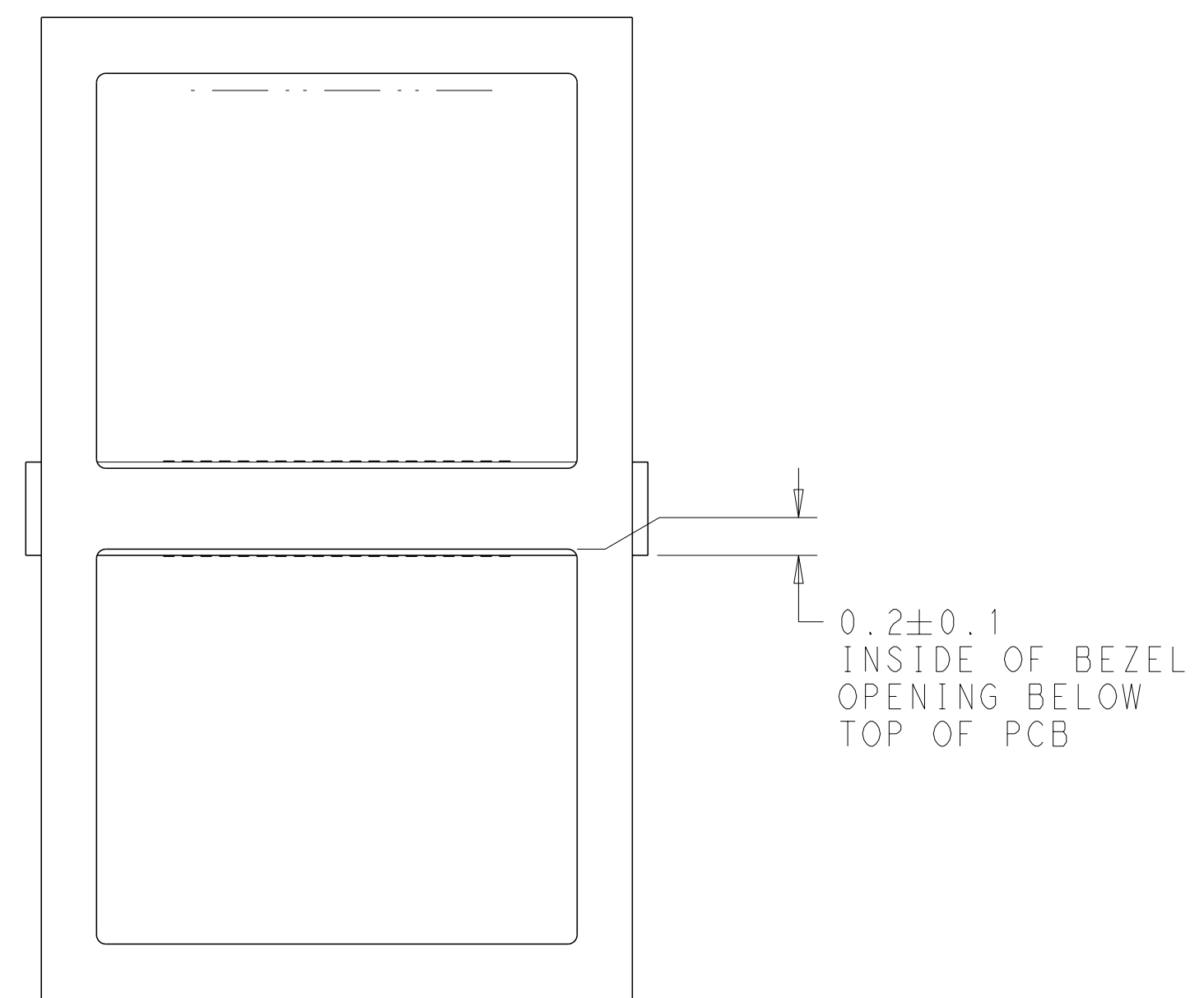
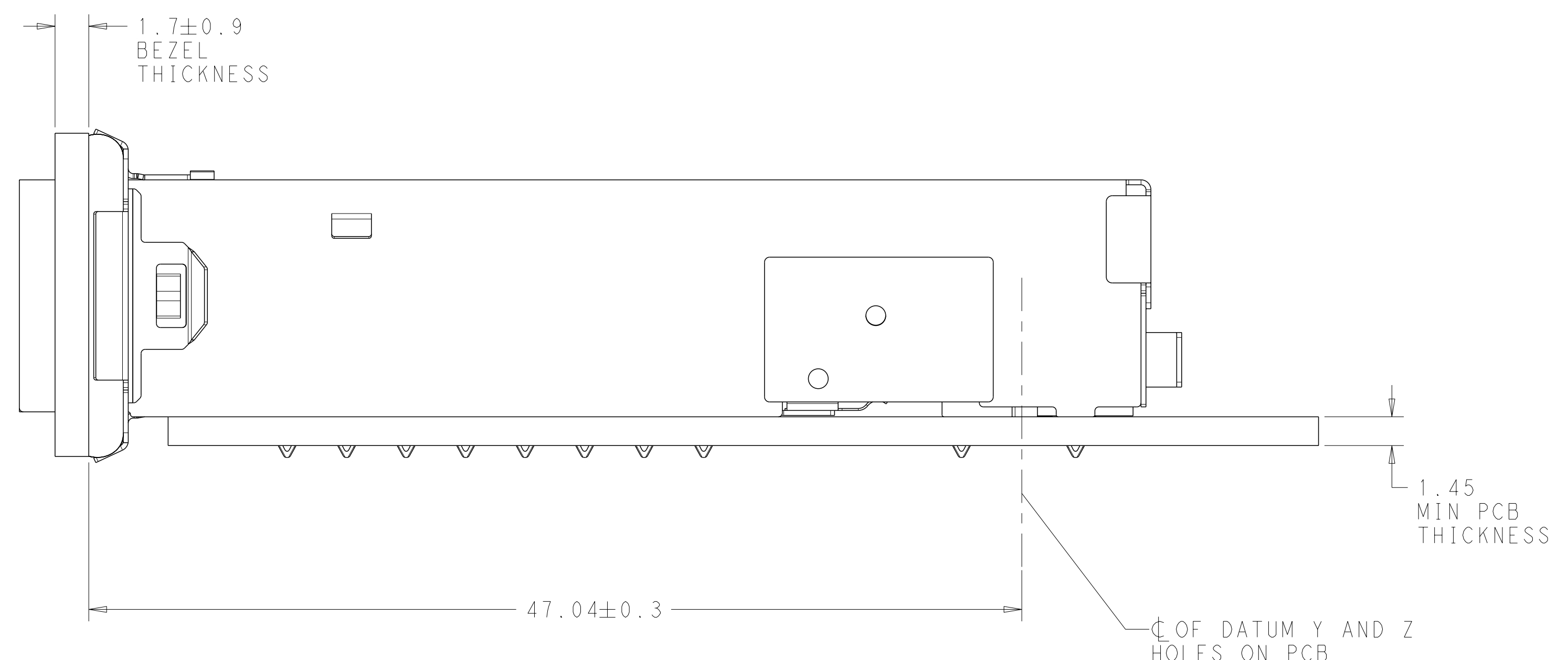


THIS DRAWING IS A CONTROLLED DOCUMENT.		OWN C. VALENTINE 19JAN2016	TE Connectivity	
DIMENSIONS:		CHK E. BRIANT 19JAN2016	NAME CAGE ASSEMBLY, SINGLE PORT, microQSFP	
mm	TOLERANCES UNLESS OTHERWISE SPECIFIED:	APVD E. BRIANT 19JAN2016	PRODUCT SPEC 108-32129	
	0 PLC ±	APPLICATION SPEC 114-32151	SIZE A1	
	1 PLC ±	FINISH #1	CAGE CODE DRAWING NO C=2297551	
	2 PLC ±	WEIGHT	RESTRICTED TO	
	3 PLC ±	Customer Drawing	SCALE 5:1 SHEET 2 OF 6 REV A	
	4 PLC ±			
	ANGLES			

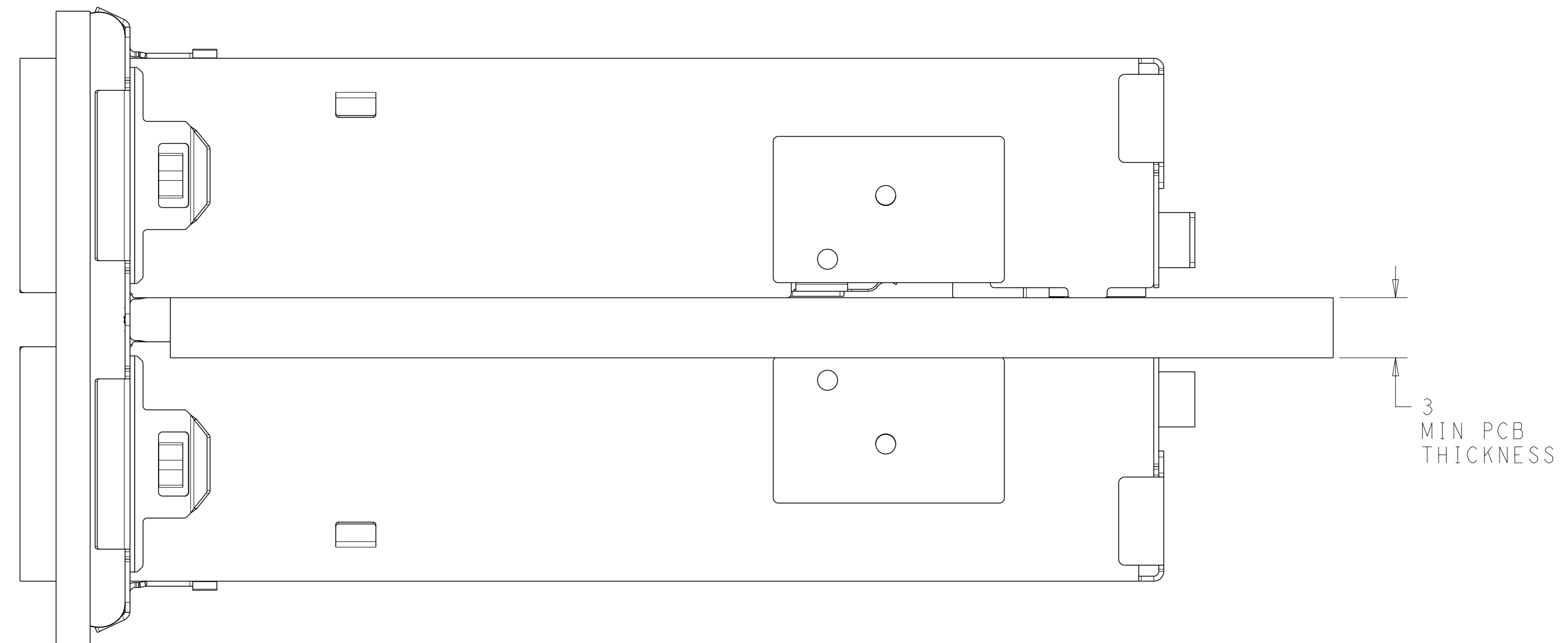
REVISIONS					
#	LY#	DESCRIPTION	DATE	OWN	APVD
-	-	SEE SHEET 1	-	-	-



2297551-2  
SINGLE SIDED  
PCB AND BEZEL LAYOUT

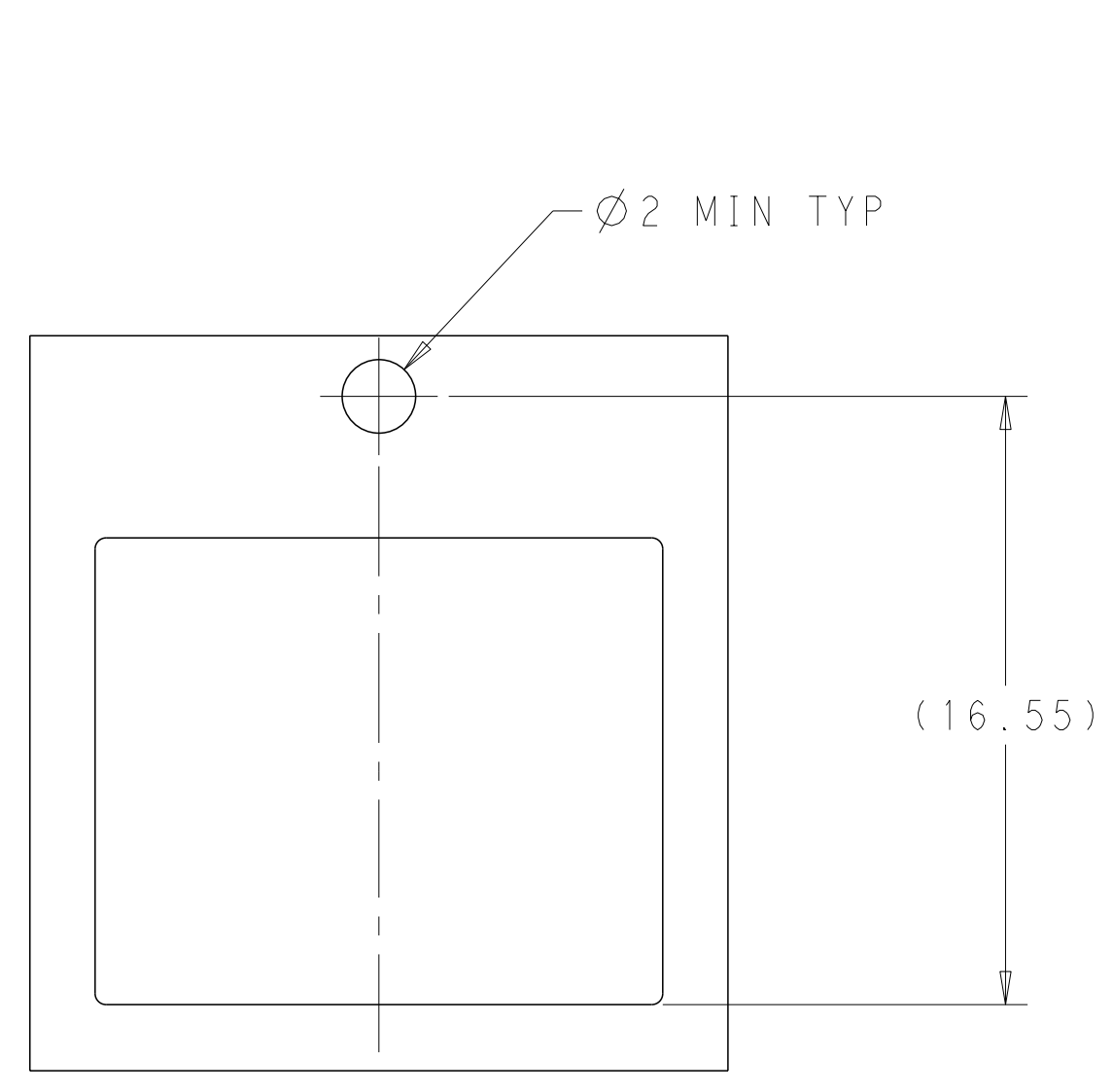


2297551-2  
BELLY TO BELLY  
SAME AS SINGLE SIDED  
EXCEPT WHERE NOTED  
PCB AND BEZEL LAYOUT

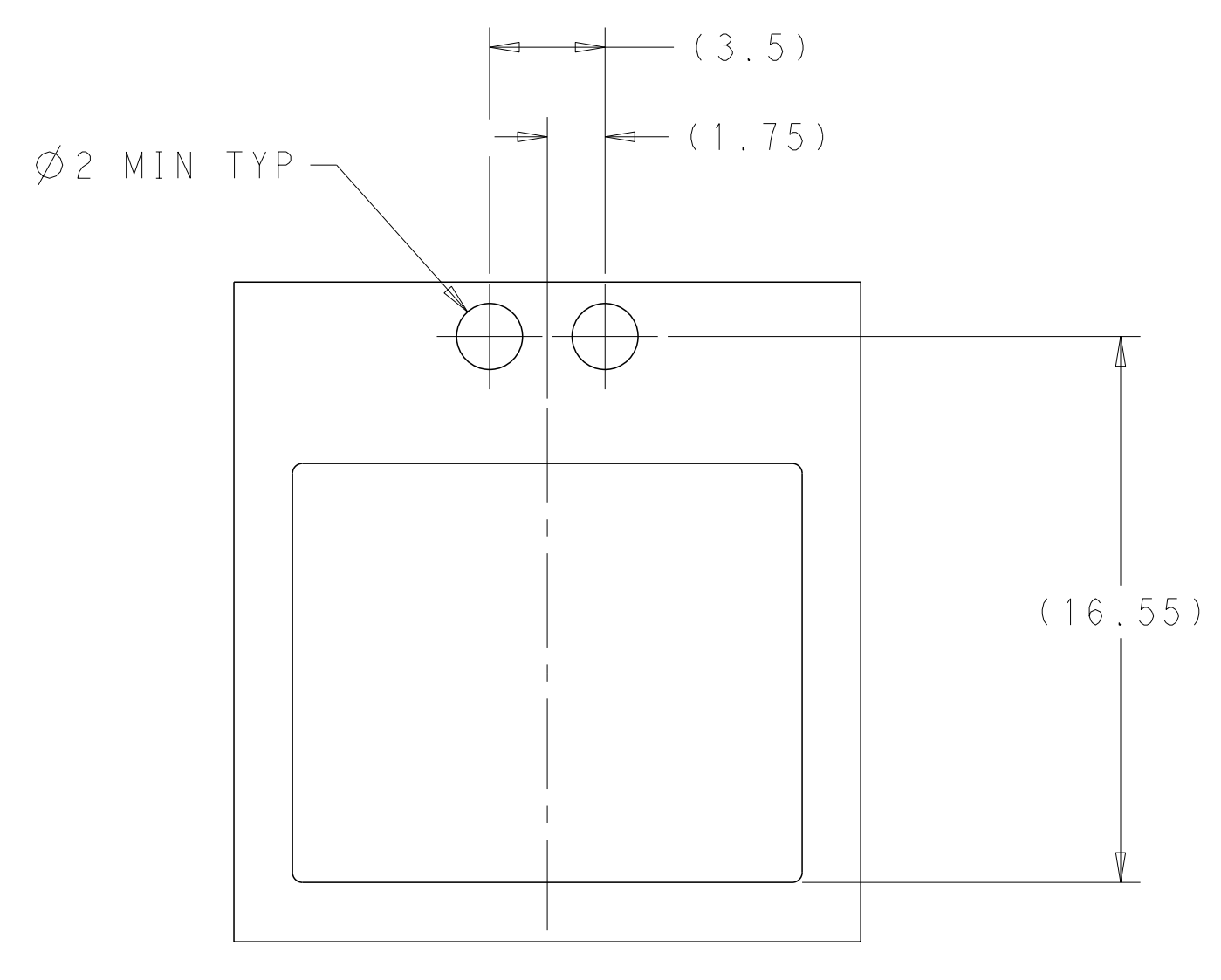


THIS DRAWING IS A CONTROLLED DOCUMENT.		OWN C. VALENTINE 19JAN2016	TE Connectivity	
DIMENSIONS:		CHK E. BRIANT 19JAN2016	NAME CAGE ASSEMBLY, SINGLE PORT, microSFP	
mm	TOLERANCES UNLESS OTHERWISE SPECIFIED:	APVD E. BRIANT 19JAN2016	PRODUCT SPEC 108-32129	RESTRICTED TO
	0 PLC ±	APPLICATION SPEC	SIZE A1	CAGE CODE DRAWING NO C=2297551
	1 PLC ±	114-32151	WEIGHT	SCALE 5:1 SHEET 3 OF 6 REV A
	2 PLC ±	Customer Drawing		
	3 PLC ±			
	4 PLC ±			
	ANGLES ±			
	FINISH #1			

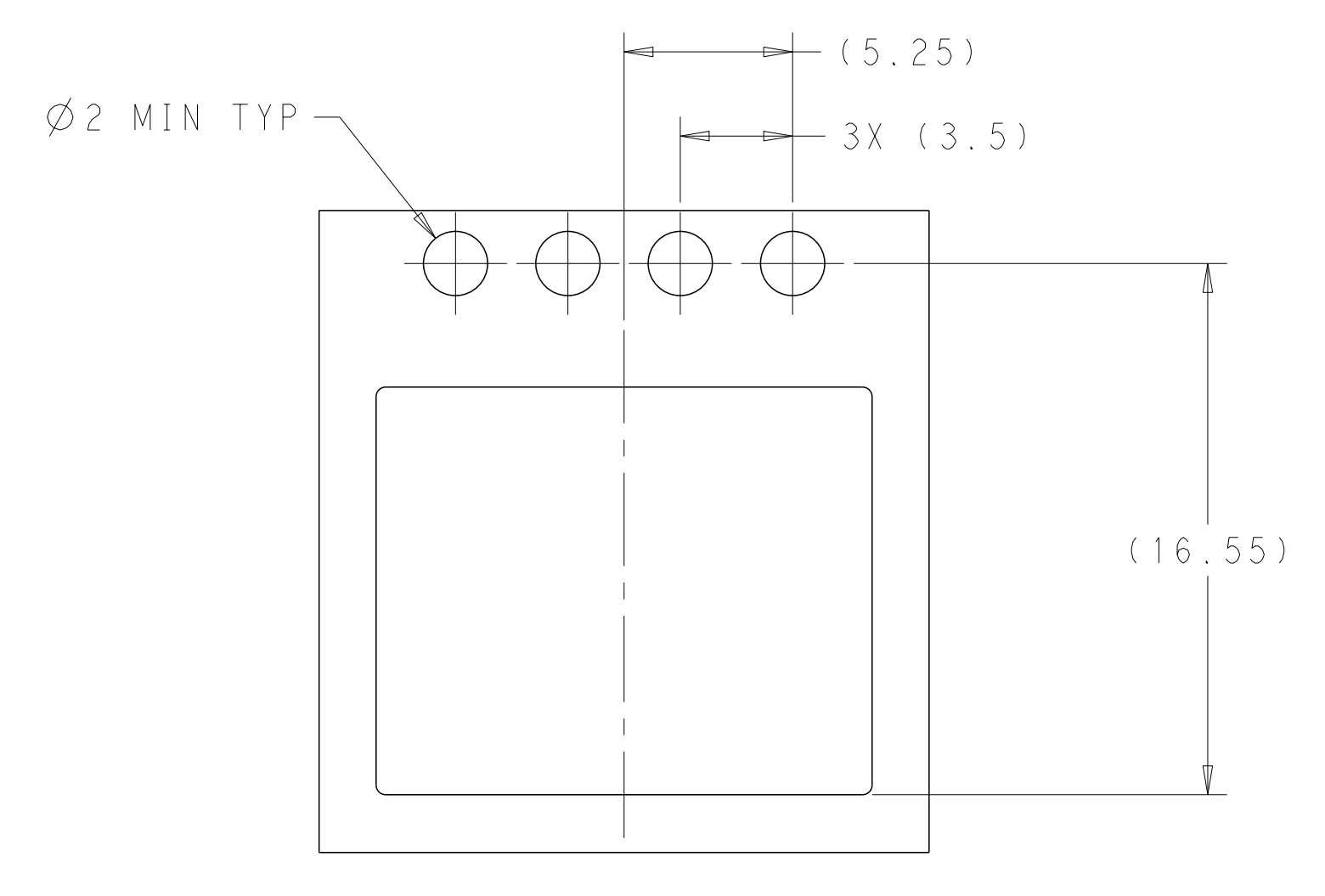
REVISIONS				
#	LY#	DESCRIPTION	DATE	OWN APVD
-	-	SEE SHEET 1	-	-



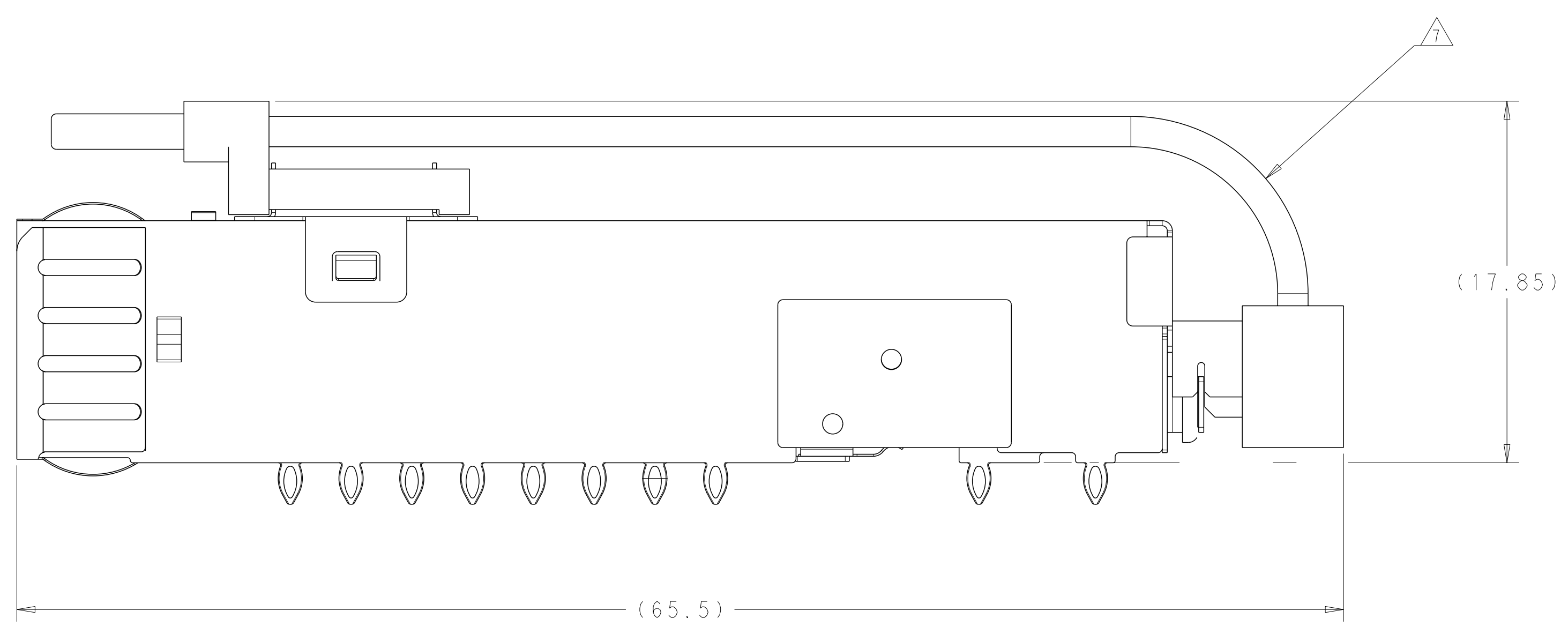
BEZEL LAYOUT FOR SINGLE LIGHT PIPE  
SINGLE SIDED



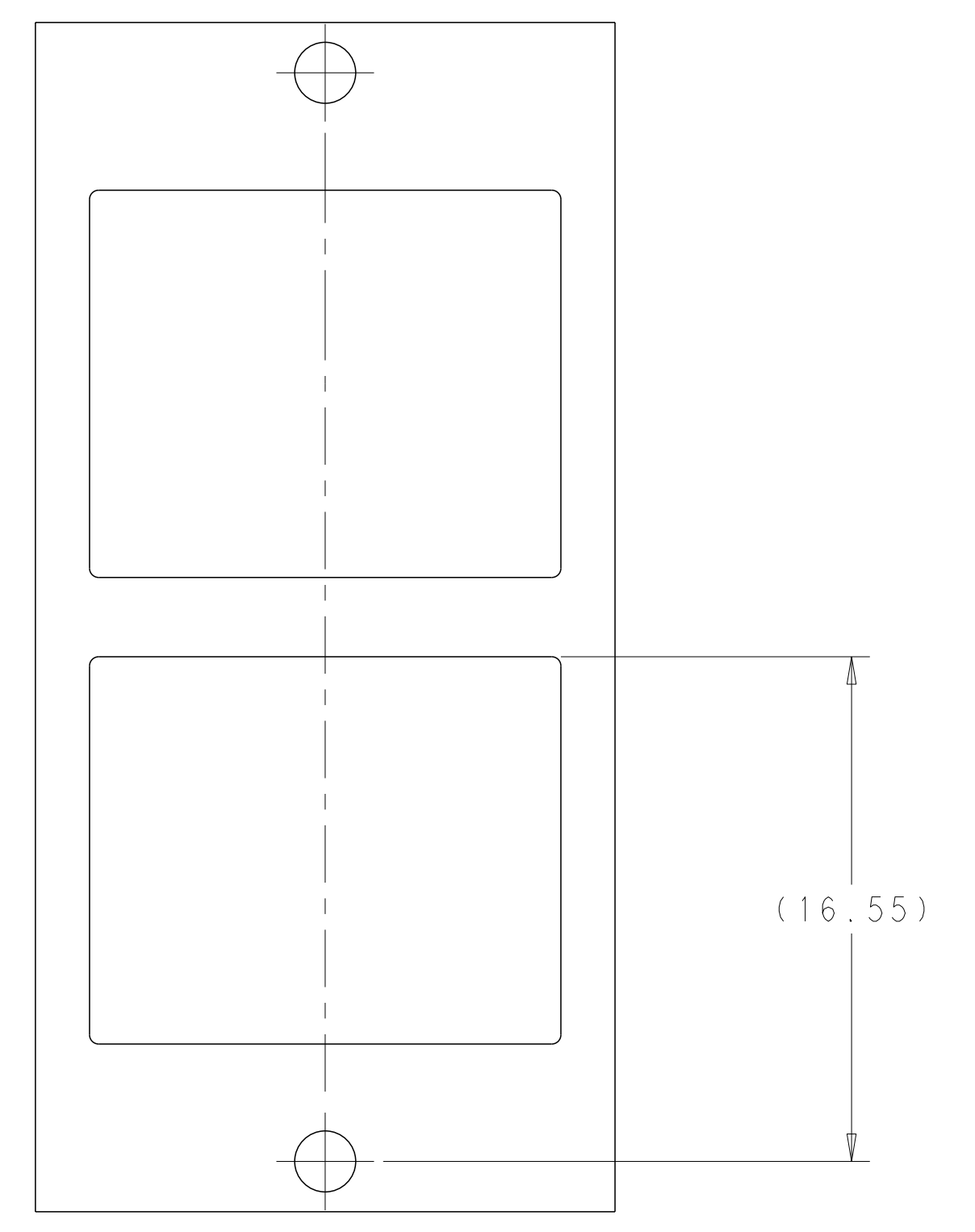
BEZEL LAYOUT FOR DOUBLE LIGHT PIPE  
SINGLE SIDED



BEZEL LAYOUT FOR QUAD LIGHT PIPE  
SINGLE SIDED



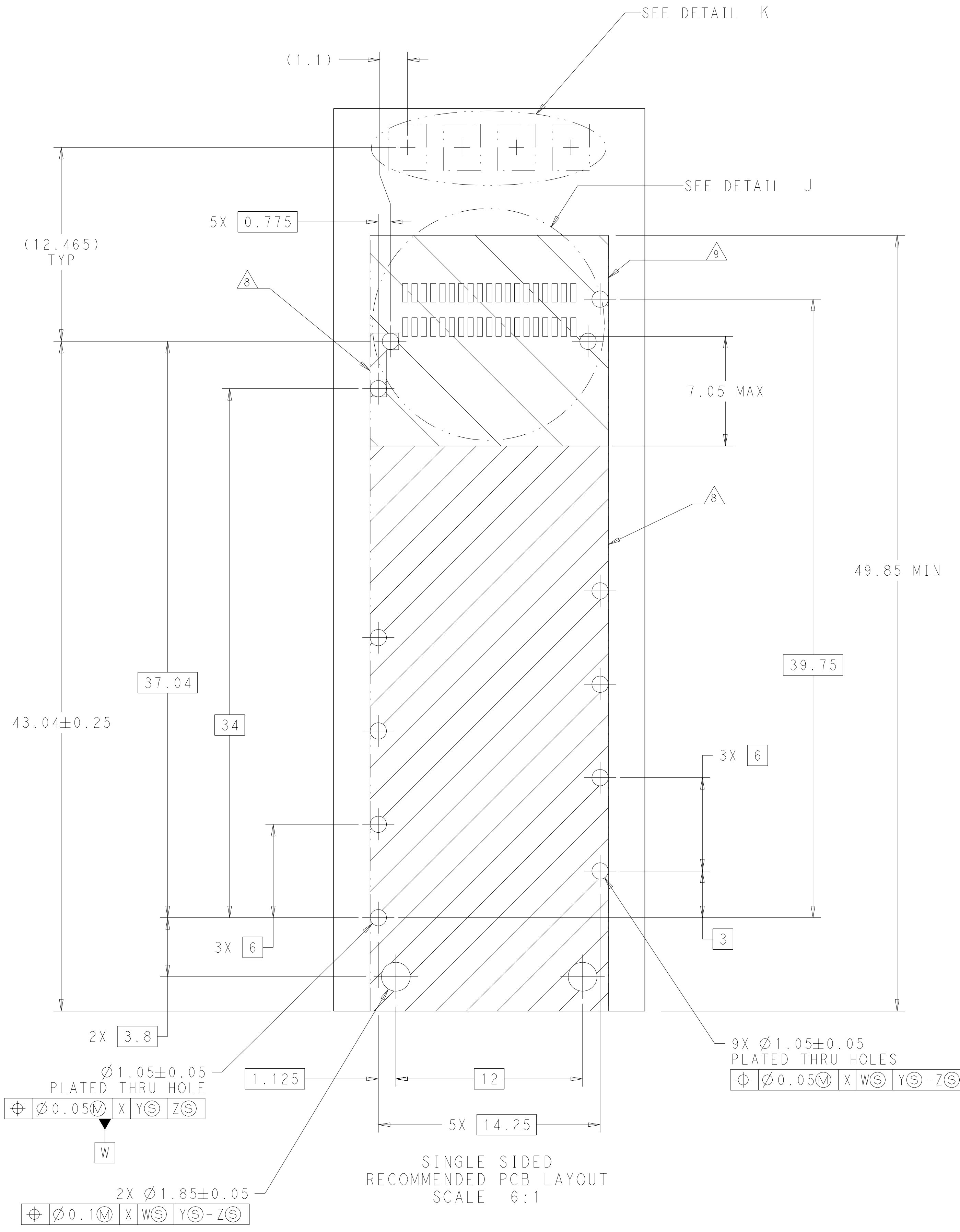
4-2297551-1



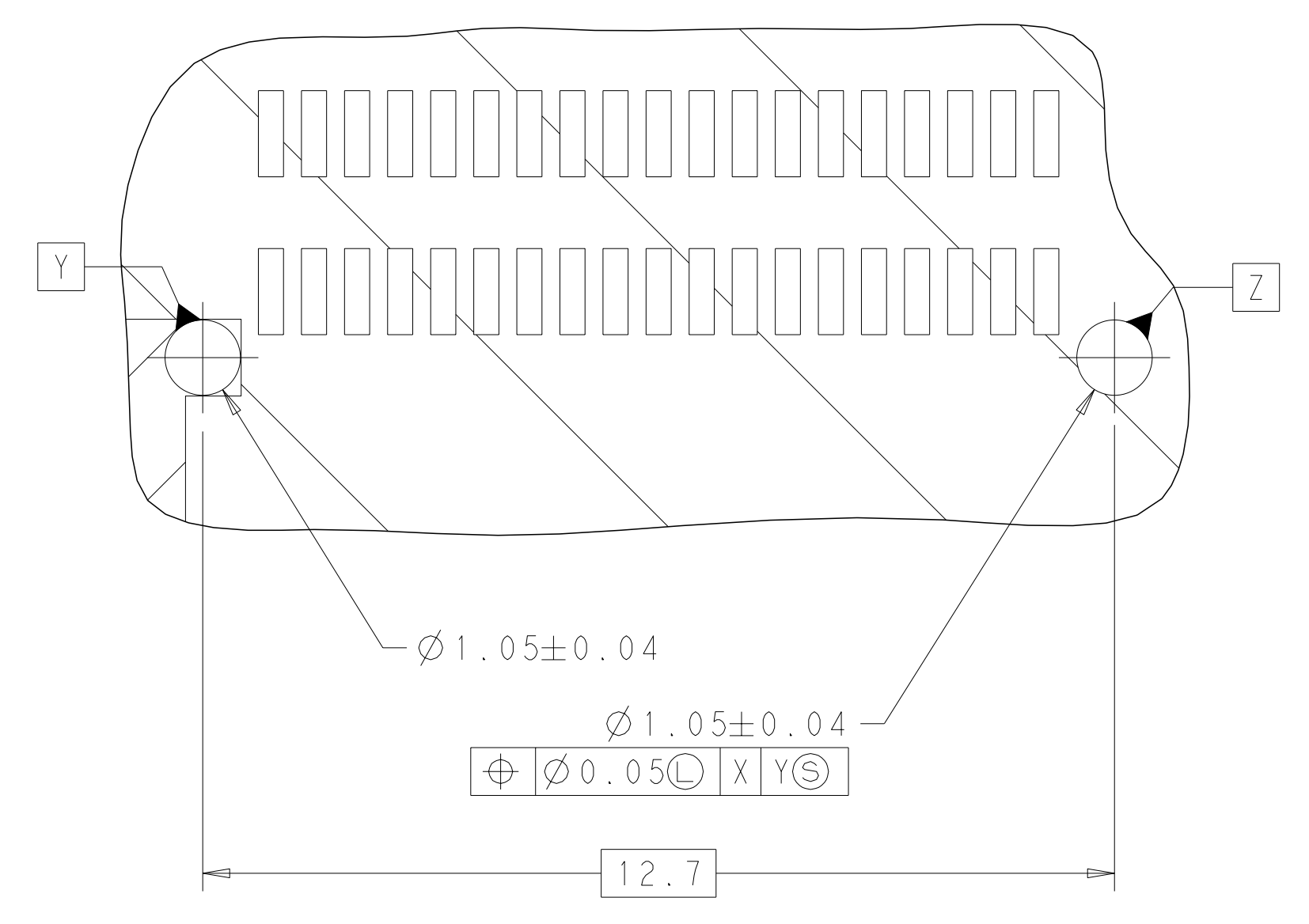
BEZEL LAYOUT FOR LIGHT PIPES  
BELLY TO BELLY  
SIMILAR TO SINGLE SIDED  
EXCEPT WHERE NOTED  
SINGLE SIDED

THIS DRAWING IS A CONTROLLED DOCUMENT.		OWN C. VALENTINE 19JAN2016	TE Connectivity	
DIMENSIONS:		CHK E. BRIANT 19JAN2016	NAME CAGE ASSEMBLY, SINGLE PORT, microQSFP	
mm	TOLERANCES UNLESS OTHERWISE SPECIFIED:	APVD E. BRIANT 19JAN2016	PRODUCT SPEC 108-32129	
	0 PLC ±	APPLICATION SPEC	RESTRICTED TO	
	1 PLC ±	114-32151	SIZE A1	CAGE CODE DRAWING NO -
	2 PLC ±	WEIGHT	SCALE 5:1 SHEET 4 OF 6 REV A	
	3 PLC ±	Customer Drawing		
	4 PLC ±			
	ANGLES ±			
	FINISH #1			

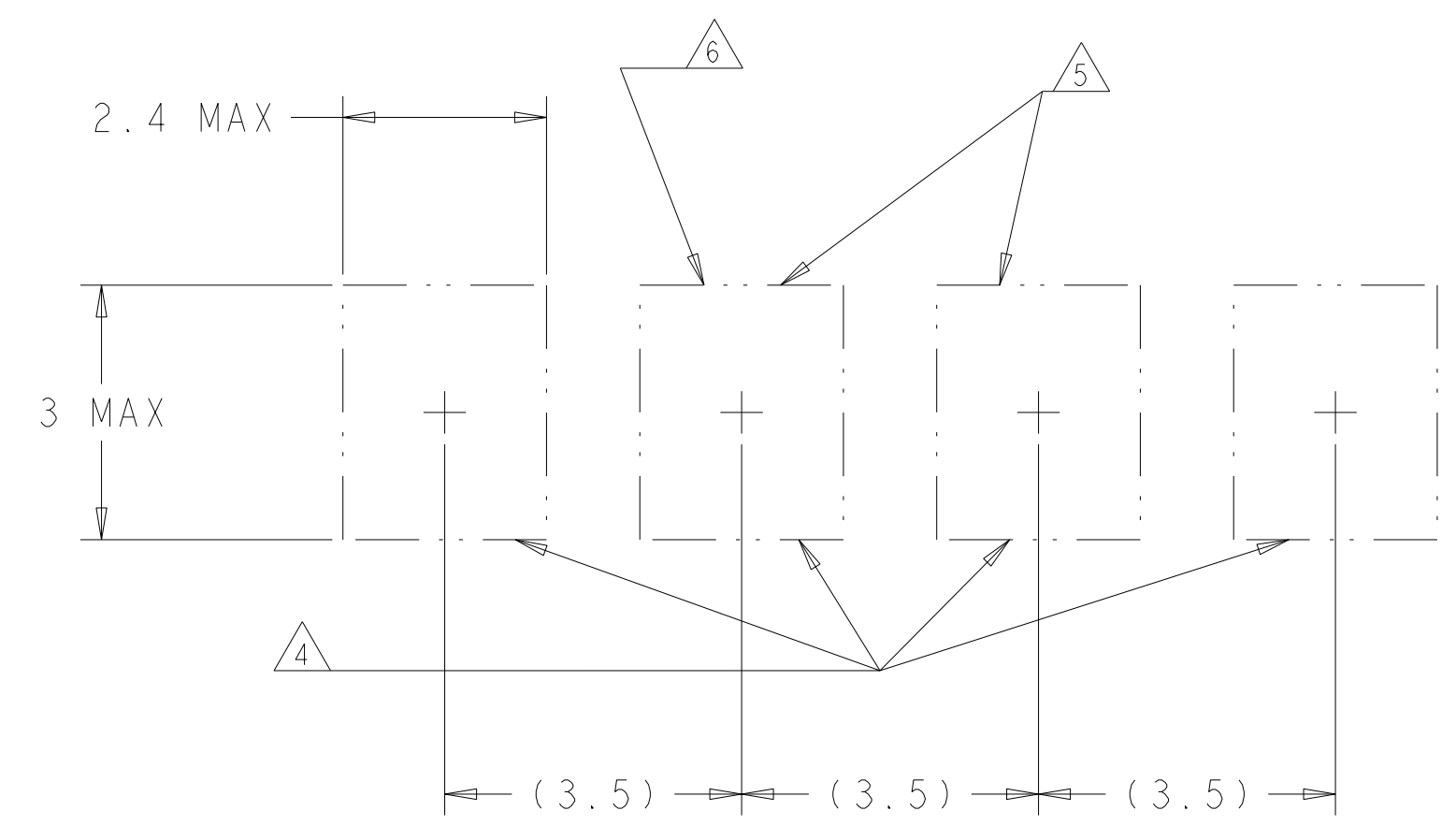
REVISIONS				
#	DATE	DESCRIPTION	OWN	APVD
-	-	SEE SHEET 1	-	-



SINGLE SIDED  
RECOMMENDED PCB LAYOUT  
SCALE 6:1



DETAIL J  
SCALE 12:1



DETAIL K  
SCALE 12:1

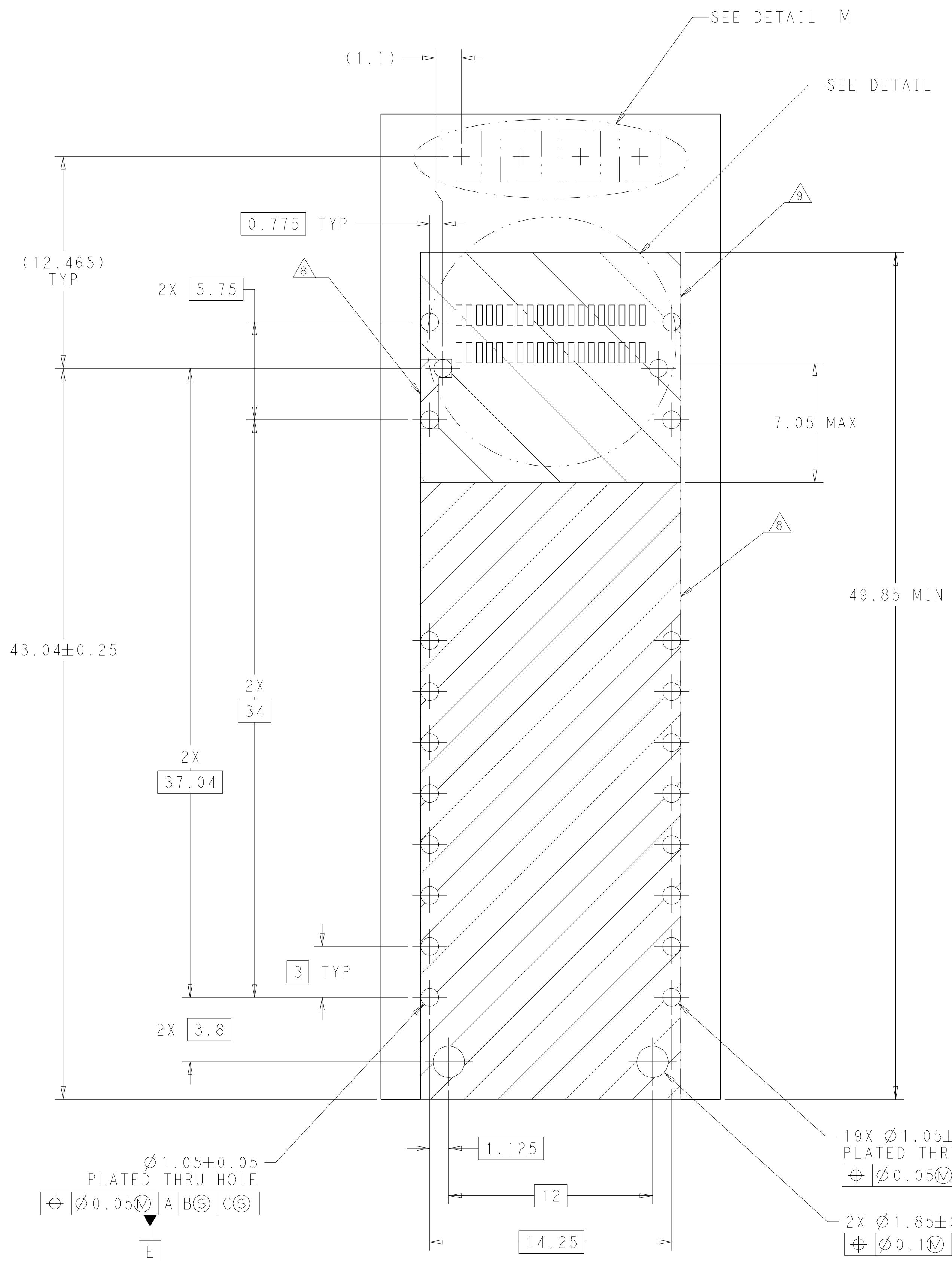
Ø1.05±0.05  
PLATED THRU HOLE  
⊕ Ø0.05(M) X Y(S) Z(S)

9X Ø1.05±0.05  
PLATED THRU HOLES  
⊕ Ø0.05(M) X W(S) Y(S)-Z(S)

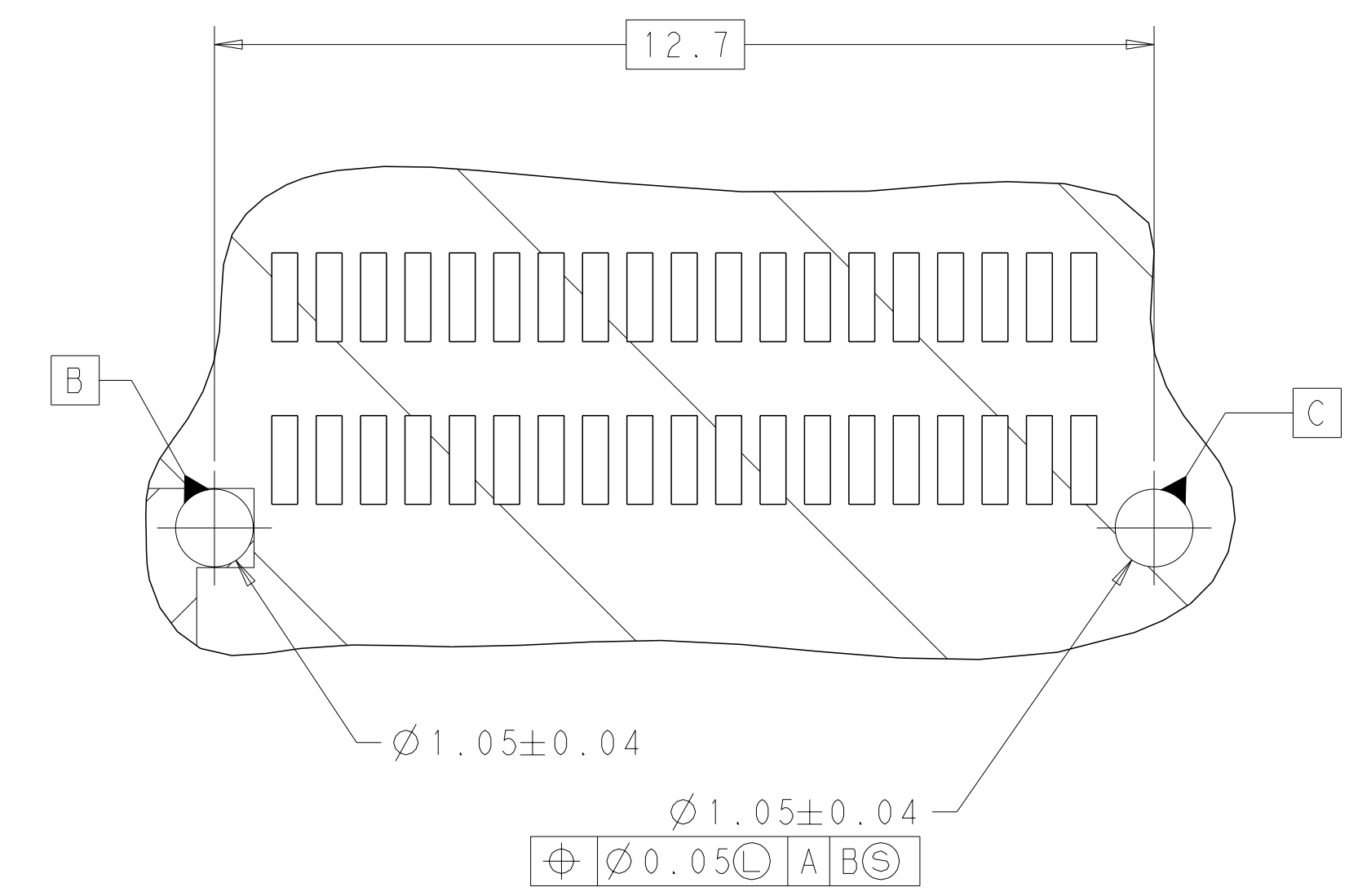
2X Ø1.85±0.05  
⊕ Ø0.1(M) X W(S) Y(S)-Z(S)

THIS DRAWING IS A CONTROLLED DOCUMENT.		OWN C. VALENTINE 19JAN2016	TE Connectivity	
DIMENSIONS:		CHK E. BRIANT 19JAN2016	NAME CAGE ASSEMBLY, SINGLE PORT, microQSFP	
mm	TOLERANCES UNLESS OTHERWISE SPECIFIED:	APVD E. BRIANT 19JAN2016	PRODUCT SPEC 108-32129	
	0 PLC ±	APPLICATION SPEC 114-32151	RESTRICTED TO	
MATERIAL	1 PLC ±	WEIGHT	SIZE A1	CAGE CODE DRAWING NO -
	2 PLC ±	Customer Drawing	SCALE 5:1	REV A
	3 PLC ±		SHEET 5	OF 6
	4 PLC ±			
	ANGLES ±			
	FINISH #1			

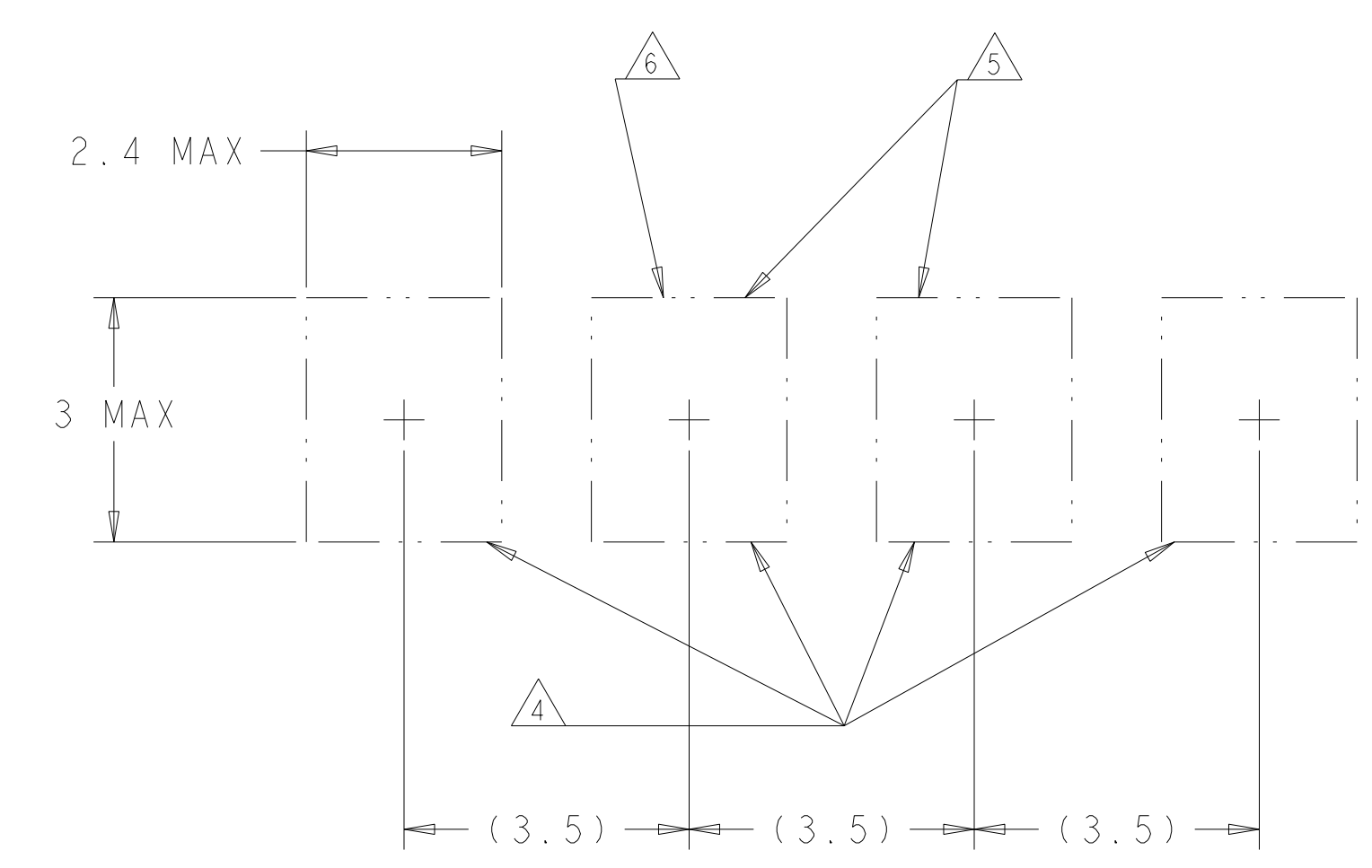
REVISIONS				
#	DATE	DESCRIPTION	DATE	APPROV
-	-	SEE SHEET 1	-	-



BELLY TO BELLY  
RECOMMENDED PCB LAYOUT  
SCALE 6:1



DETAIL L  
SCALE 12:1



DETAIL M  
SCALE 12:1

THIS DRAWING IS A CONTROLLED DOCUMENT.		OWN C. VALENTINE 19JAN2016	TE Connectivity	
DIMENSIONS:		CHK E. BRIANT 19JAN2016	NAME CAGE ASSEMBLY, SINGLE PORT, microQSFP	
TOLERANCES UNLESS OTHERWISE SPECIFIED:		APVD E. BRIANT 19JAN2016	PRODUCT SPEC 108-32129	
mm	0 PLC ±	APPLICATION SPEC 114-32151	RESTRICTED TO	
	1 PLC ±	WEIGHT		
	2 PLC ±	Customer Drawing	SCALE 5:1 SHEET 6 OF 6 REV A	
	3 PLC ±			
	4 PLC ±			
	ANGLES ±			
	FINISH #1			