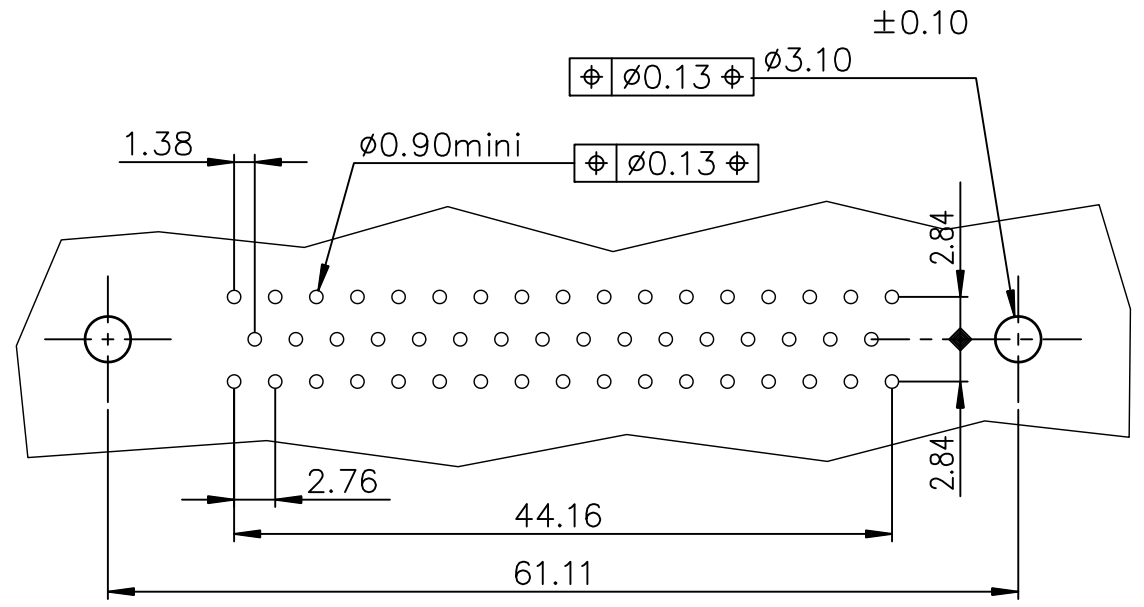


PC card drilling dimensions
(after plating - thickness: 1.60 mm)



LEAD FREE PART NUMBER

Part number: **D50P24A*GL00LF**

Plating: 4 --> Flash Au
Plating: 6 --> 0.76μ Au

GENERAL CHARACTERISTICS AND ROHS INFORMATIONS:
SEE DRAWING C01-8646-0000

mat'l. code				surface		tolerance		projection		product family	
-				ISO 1302 ✓		ISO 406 ISO 1101		MM		D-SUB	
ltr				ecn no		dr		date		title	
F				ELX-I-21654		AB		2015-10-26		MALE DELTA-D 50-EUROPE STRAIGHT SOLDER, HARPOON, NUT	
angles				linear				scale 2:1		dwg no	
0°±2'										sheet 1 of 1	
dr				engr		chr		appd		size	
BOUTTIER				ALIAS BABU		MITHUN PAUL		BIJU K PAUL		A3	
1997-10-27				2015-10-26		2015-10-26		2015-10-26		type	
Product Customer Drawing											
sheet index		revision sheet		F		1					