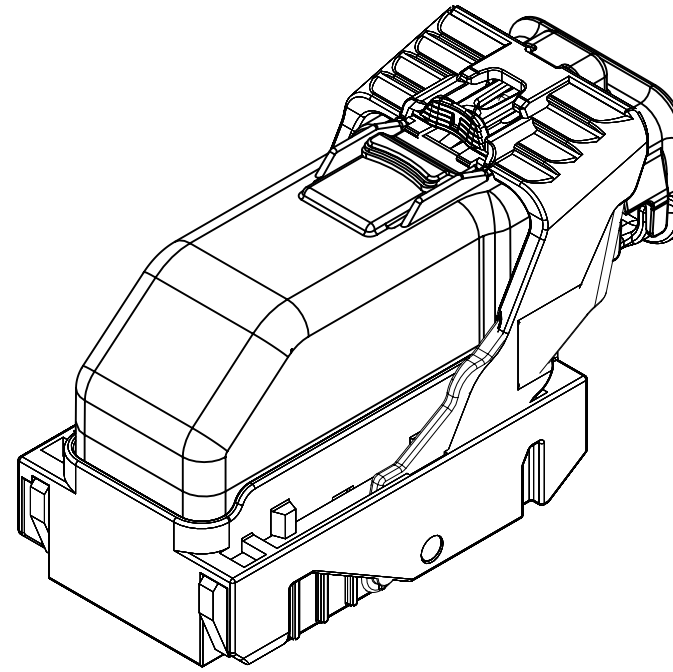

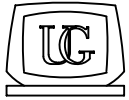


INDEX	
PAGE TITLE	PAGE
TITLE BLOCK	1
REVISION BLOCK	2
PART BLOCK	3
KPC BLOCK	4
COMPONENT TABLE	5
NOTES	6
NOTES	7
WIRE DRESS PACKAGING DIMENSIONS	8
LOCATION AND PACKAGING DIMENSIONS REFERENCING INTERFACE DATUMS B & C	9
LOCATION AND PACKAGING DIMENSIONS REFERENCING INTERFACE DATUM A	10
KEY ID REF - WIRE DRESS OPTION 0	11
KEY ID REF - WIRE DRESS OPTION 9	12
CIRCUIT CONFIGURATIONS	13
CIRCUIT CONFIGURATIONS	14
COMPONENT CONNECTOR INTERFACE	15
COMPONENT CONNECTOR INTERFACE	16
COMPONENT CONNECTOR INTERFACE	17
COMPONENT CONNECTOR INTERFACE	18
COMPONENT CONNECTOR INTERFACE	19
COMPONENT CONNECTOR INTERFACE	20
COMPONENT CONNECTOR INTERFACE	21




ISO VIEW

	<p>UNLESS OTHERWISE SPECIFIED: THIS DOCUMENT IS IN ACCORDANCE WITH ASME Y14.5M-1994 AS AMMENDED BY THE GM GLOBAL DIMENSIONING AND TOLERANCING ADDENDUM-1997. ALL GEOMETRIC TOLERANCES AND RELATED DATUMS APPLY RFS. RULE #1 (PERFECT FORM AT MMC) DOES NOT APPLY WHEN A RELATIONSHIP BETWEEN FEATURES IS ESTABLISHED BY ORIENTATION OR LOCATION TOLERANCES. SEPARATE POSITION CALLOUTS MAY BE GAGED SEPARATELY REGARDLESS OF DATUM REFERENCES.</p>			DATE						
	 CHANGE RESTRICTED NO MANUAL CHANGES	REFERENCE 12H (MOLEX AUTOMOTIVE)	DRAFTER J SZYMKOWSKI APVD1 D PFAFFINGER APVD2 B BURT APVD3 APVD4 APVD5	22DE05 22DE05 22DE05 						
DO NOT SCALE	DRAWING NAME HARNESS CONN ASM 66/73/80 CKTS									
METRIC DIMENSIONS SHOWN IN MILLIMETERS UNLESS OTHERWISE SPECIFIED	DRAWING NUMBER 12642695		DWG STATUS <table border="1"> <tr> <td>ST</td> <td>REV</td> <td>PD1</td> </tr> <tr> <td>R</td> <td>002</td> <td></td> </tr> </table>		ST	REV	PD1	R	002	
ST	REV	PD1								
R	002									
			PAGE NUMBER 1 OF 21							

PAGE	DWG STATUS					REVISION HISTORY	AUTH	DR	CK	ENG
	DATE	ST	REV	CHG	PDI					
	19DE11	R	001			RELEASED TO PRODUCTION AT DLS A	CRMRJB	SC	MRO	GF
3	08MY15	R	002	A		REORDERED PART BLOCK AND ADDED MASS CORRECTED P/N TYPO FROM 12562676 TO 12582676				
3, 5		R	002	B		ADDED 12659312, 12659313, 12653574 AND 12653575				
6		R	002	C		REMOVED NOTE 1 . D . 3 . C				
20		R	002	D		DIM 125 WAS 3.25 DIM 131 WAS 5.5	CRMRJD	DFK	MRO	GF

PAGE	DWG STATUS					REVISION HISTORY	AUTH	DR	CK	ENG
	DATE	ST	REV	CHG	PDI					

	PAGE TITLE	DRAWING NUMBER	DWG STATUS			PAGE NUMBER	
	REVISION BLOCK		12642695	ST	REV	PDI	2 OF 21
				R	002		

KEY PRODUCT CHARACTERISTICS
(IN ACCORDANCE WITH QN 1805 OR ON 1050)



SAFETY/COMPLIANCE

TOTAL ON
DRAWING

5



FIT/FUNCTION

LAST NO.
USED

5

NO	TYPE	DESCRIPTION	RATIONALE	PAGE/ZONE
1	F/F	32.68	IMPROVE CONNECTOR SYSTEM MATING	15
2	F/F	29.00	INSURE PROPER RELEASE OF LEVER	15
3	F/F	15.25	INSURE FINAL MATE POSITION	16
5	F/F	POSITIONAL TOLERANCE (2 PLACES)	INSURE CONNECTOR SYSTEM MATEABILITY	19



PAGE TITLE
KPC BLOCK

DRAWING NUMBER

12642695

DWG STATUS

ST	REV	PD1
----	-----	-----

R	002	
---	-----	--

PAGE NUMBER

4 OF 21

LINE	MFG.	MFG. P/N	GM P/N	EFFECTIVE DATE	APPLICABLE COMPONENTS	KEY OPTION	WIRE DRESS OPTION	KEY CONFIG.	COLOR	STATUS
					DESCRIPTION					
-										
1	MOLEX	34565-0003	12582676	02JN03	MX123 DRESS COVER 66/73/80 CKT	N/A	N/A	N/A	BLACK	AVAILABLE
2	MOLEX	34822-0013	12642692	01SP13	MX123 HRNS CONN ASSY 66 CKT	A	0	1458	BLACK	AVAILABLE
3	MOLEX	34822-0033	12659312	01SP13	MX123 HRNS CONN ASSY 66 CKT	C	0	2467	BLUE	AVAILABLE
4	MOLEX	34822-0023	12642693	01SP13	MX123 HRNS CONN ASSY 66 CKT	A	9	1458	BLACK	AVAILABLE
5	MOLEX	34822-0043	12659313	01SP13	MX123 HRNS CONN ASSY 66 CKT	C	9	2467	BLUE	AVAILABLE
6	MOLEX	34566-0103	12582677	11JN04	MX123 HRNS CONN ASSY 73 CKT	A	0	1458	BLACK	AVAILABLE
7	MOLEX	34566-0203	12582678	11JN04	MX123 HRNS CONN ASSY 73 CKT	B	0	1468	ST GRAY	AVAILABLE
8	MOLEX	34566-0303	12615654	09AP08	MX123 HRNS CONN ASSY 73 CKT	C	0	2467	BLUE	AVAILABLE
9	MOLEX	34566-0403	12647268	T.B.D	MX123 HRNS CONN ASSY 73 CKT	D	0	2367	BROWN	NOT ACTIVE
10	MOLEX	34566-0503	AMJ28633	T.B.D	MX123 HRNS CONN ASSY 73 CKT	E	0	2468	GREEN	NOT ACTIVE
11	MOLEX	34566-0603	12653574	05DC14	MX123 HRNS CONN ASSY 73 CKT	F	0	1357	NATURAL	AVAILABLE
12	MOLEX	34566-0703	12588057	09AP08	MX123 HRNS CONN ASSY 80 CKT	G	0	1358	BLUE	AVAILABLE
13	MOLEX	34566-0803	12588058	11JN04	MX123 HRNS CONN ASSY 80 CKT	H	0	2458	ST GRAY	AVAILABLE
14	MOLEX	34566-0903	12615656	T.B.D	MX123 HRNS CONN ASSY 80 CKT	J	0	2457	BLACK	NOT ACTIVE
15	MOLEX	34566-1003	AMJ28595	T.B.D	MX123 HRNS CONN ASSY 80 CKT	K	0	2357	BROWN	NOT ACTIVE
16	MOLEX	34566-1103	AMJ29057	T.B.D	MX123 HRNS CONN ASSY 80 CKT	L	0	2368	GREEN	NOT ACTIVE
17	MOLEX	34566-1203	AMJ28669	T.B.D	MX123 HRNS CONN ASSY 80 CKT	M	0	2358	NATURAL	NOT ACTIVE
18	MOLEX	34566-1303	12603596	11JN04	MX123 HRNS CONN ASSY 73 CKT	A	9	1458	BLACK	AVAILABLE
19	MOLEX	34566-1403	12603597	11JN04	MX123 HRNS CONN ASSY 73 CKT	B	9	1468	ST GRAY	AVAILABLE
20	MOLEX	34566-1503	12615655	09AP08	MX123 HRNS CONN ASSY 73 CKT	C	9	2467	BLUE	AVAILABLE
21	MOLEX	34566-1603	12647269	T.B.D	MX123 HRNS CONN ASSY 73 CKT	D	9	2367	BROWN	NOT ACTIVE
22	MOLEX	34566-1703	AMJ28698	T.B.D	MX123 HRNS CONN ASSY 73 CKT	E	9	2468	GREEN	NOT ACTIVE
23	MOLEX	34566-1803	12653575	05DC14	MX123 HRNS CONN ASSY 73 CKT	F	9	1357	NATURAL	AVAILABLE
24	MOLEX	34566-1903	12603598	09AP08	MX123 HRNS CONN ASSY 80 CKT	G	9	1358	BLUE	AVAILABLE
25	MOLEX	34566-2003	12603599	11JN04	MX123 HRNS CONN ASSY 80 CKT	H	9	2458	ST GRAY	AVAILABLE
26	MOLEX	34566-2103	12615657	T.B.D	MX123 HRNS CONN ASSY 80 CKT	J	9	2457	BLACK	NOT ACTIVE
27	MOLEX	34566-2203	AMJ29117	T.B.D	MX123 HRNS CONN ASSY 80 CKT	K	9	2357	BROWN	NOT ACTIVE
28	MOLEX	34566-2303	AMJ29136	T.B.D	MX123 HRNS CONN ASSY 80 CKT	L	9	2368	GREEN	NOT ACTIVE
29	MOLEX	34566-2403	AMJ29214	T.B.D	MX123 HRNS CONN ASSY 80 CKT	M	9	2358	NATURAL	NOT ACTIVE
30	MOLEX	34736-2002	12642697	01AU10	MX64 RCPT TERM Ag 18/20 GAGE B (RIGHT PAYOFF)	N/A	N/A	N/A	N/A	AVAILABLE
31	MOLEX	34736-2001	12642696	01AU10	MX64 RCPT TERM Ag 22 GAGE B (RIGHT PAYOFF)	N/A	N/A	N/A	N/A	AVAILABLE
32	MOLEX	34586-0001	T.B.D.	11JN04	MX123 0.64MM GROMMET PLUG	N/A	N/A	N/A	NATURAL	AVAILABLE
33	YAZAKI	7116-4150-02	12588066	02JN03	2.8mm YESC SEALED FEMALE TERMINAL TIN 20/22 GAGE (CABLE RANGE 0.30mm-0.60mm)	N/A	N/A	N/A	N/A	NOT ACTIVE
34	YAZAKI	7116-4151-02	12588067	02JN03	2.8mm YESC SEALED FEMALE TERMINAL TIN 16/18 GAGE (CABLE RANGE 0.75mm-1.40mm)	N/A	N/A	N/A	N/A	NOT ACTIVE
35	YAZAKI	7116-4152-02	12582685	02JN03	2.8mm YESC SEALED FEMALE TERMINAL TIN 14 GAGE (CABLE RANGE 1.50mm-2.50mm)	N/A	N/A	N/A	N/A	AVAILABLE
36	YAZAKI	7158-3111-60	12588068	02JN03	2.8mm CABLE SEAL (wire O.D. range 1.20mm-1.90mm)	N/A	N/A	N/A	GREEN	NOT ACTIVE
37	YAZAKI	7158-3112-70	12588069	02JN03	2.8mm CABLE SEAL (wire O.D. range 1.80mm-2.30mm)	N/A	N/A	N/A	YELLOW	NOT ACTIVE
38	YAZAKI	7158-3113-40	12582686	02JN03	2.8mm CABLE SEAL (wire O.D. range 2.18mm-3.00mm)	N/A	N/A	N/A	WHITE	AVAILABLE
39	YAZAKI	7158-3114-90	T.B.D	02JN03	2.8mm YESC CAVITY PLUG	N/A	N/A	N/A	BLUE	AVAILABLE
40	MOLEX	63811-4200	XX019825	02JN03	MX64 TERM HAND CRIMP TOOL	N/A	N/A	N/A	N/A	AVAILABLE
41	MOLEX	63813-1400	XX019826	02JN03	MX64 TERM SERVICE TOOL	N/A	N/A	N/A	N/A	AVAILABLE
42	MOLEX	63865-8000	XX019827	02JN03	MX64 CRIMP APPLICATOR with TOOL KIT 18/20 GAGE PAYOFF DIRECTION D (left payoff) (contact Molex for payoff detail)	N/A	N/A	N/A	N/A	AVAILABLE
43	MOLEX	63865-8070	XX019828	02JN03	MX64 APPLICATOR TOOL KIT 18/20 GAGE	N/A	N/A	N/A	N/A	AVAILABLE
44	MOLEX	63865-8100	XX019829	02JN03	MX64 CRIMP APPLICATOR with TOOL KIT 22 GAGE PAYOFF DIRECTION D (left payoff) (contact Molex for payoff detail)	N/A	N/A	N/A	N/A	AVAILABLE
45	MOLEX	63865-8170	XX019830	02JN03	MX64 APPLICATOR TOOL KIT 22 GAGE	N/A	N/A	N/A	N/A	AVAILABLE
46	SPX	J35616-64	T.B.D.	02JN03	0.64mm PROBE TOOL (for rcpt)	N/A	N/A	N/A	N/A	AVAILABLE
47	SPX	J35616-64A	T.B.D.	02JN03	0.64mm PROBE TOOL WITH EXT (for rcpt)	N/A	N/A	N/A	N/A	AVAILABLE
48	SPX	J35616-65	T.B.D.	02JN03	0.64mm PROBE TOOL WITH EXT (for pin)	N/A	N/A	N/A	N/A	AVAILABLE
49	SPX	J35616-4A	T.B.D.	02JN03	2.8mm PROBE TOOL (for rcpt)	N/A	N/A	N/A	N/A	AVAILABLE
50	YAZAKI	X39899-J374	12094430	02JN03	2.8mm TERM SERVICE TOOL	N/A	N/A	N/A	N/A	AVAILABLE

002B

* - MX123 DRESS COVER 73/80/66 CKT MATES TO ANY MX123 HARN CONN ASSY SHOWN ON TABLE ABOVE



PAGE TITLE
COMPONENT TABLE

DRAWING NUMBER

12642695

DWG STATUS

ST	REV	PD1
R	002	

PAGE NUMBER

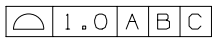
5 OF 21

NOTES: UNLESS OTHERWISE SPECIFIED

1. MATERIAL FOR INTERFACE:

- A. RESIN:
 - 1. 30% G.F. PBT; 20% MAX. (BY WEIGHT) REGRIND.
 - 2. MATING CONNECTOR INTERFACE PART COLOR MUST BE SAME AS MATCHING KEYED HARNESS CONNECTOR ASSEMBLY.
 - 3. MUST BE VALIDATED FOR INDIVIDUAL DEVICE APPLICATION REQUIREMENTS.
- B. 0.64MM PINS:
 - 1. BASE MATERIAL: COPPER ALLOY; CONDUCTIVITY >= 28% IACS AT 20°C; TENSILE STRENGTH >= 635 N/mm²; SURFACE ROUGHNESS R_a 6 MAX.
 - 2. PLATING FINISH: SILVER (Ag). PLATING TO BE 1.9-3.3 μm ELECTRODEPOSITED SEMI-BRIGHT SILVER OVER 1.25-2.25 μm DUCTILE SULPHAMATE NICKEL PER NOTE 1(D).
 - 3. ANTI-TARNISH: SYNTHETIC HYDROCARBON CONTACT SURFACE FINISH OR EQUIVALENT APPLIED WITHOUT VOID TO CONTACT AREA (MIN 3.7mm FROM PIN TIP).
- C. 2.8MM BLADE:
 - 1. BASE MATERIAL: COPPER ALLOY; CONDUCTIVITY >= 28% IACS AT 20°C; TENSILE STRENGTH >= 350 N/mm²; SURFACE ROUGHNESS R_a 6 MAX.
 - 2. PLATING FINISH: TIN. PLATING TO BE 2.5-5.0 μm ELECTRODEPOSITED TIN, MATTE FINISH OVER 1.25-2.5 μm DUCTILE SULPHAMATE NICKEL PER NOTE 1(D).
- D. PLATING REQUIREMENTS:
 - 1. SILVER PLATING
 - a. 99.5% PURE SEMI-BRIGHT WITH NO ORGANIC BRIGHTNERS OR CHROMATES.
 - 2. NICKEL PLATING
 - a. ELECTRODEPOSITED DUCTILE SULFAMATE NICKEL WITH A NON-BRIGHTENED FINISH. NO ORGANIC OR BRIGHTENING AGENTS SHALL BE ALLOWED.
 - b. SHALL ONLY BE USED AS AN UNDERLYING PLATING AND MAY NOT BE USED AS AN ELECTRICAL CONTACT SURFACE PLATING.
 - c. SHALL BE NODULE FREE WHEN VIEWED AT 10X MAGNIFICATION IN MEASURED IN CONTACT SURFACE AREA PLUS 0.5MM PERIMETER AROUND THE CONTACT SURFACE AREA.
 - d. ALL PLATINGS SHALL HAVE A 1.0% MAXIMUM BY WEIGHT IMPURITIES. IMPURITIES ARE DEFINED AS ALL ELEMENTS NOT THE PRIMARY PLATING OR HARDENING AGENT IF APPLICABLE, AS DETERMINED BY WET CHEMICAL ANALYSIS OR AUGER METHOD. NO SINGLE IMPURITY SHALL EXCEED 0.1% MAXIMUM BY WEIGHT.
 - 3. TESTING
 - a. THICKNESS TO BE MEASURED IN CONTACT SURFACE AREA PLUS 0.5MM PERIMETER AROUND THE CONTACT SURFACE AREA AS DESIGNATED IN THE DRAWING. THICKNESS SHALL BE DETERMINED BY METHOD OF X-RAY (XRF).
 - b. PLATING ADHESION SHALL BE TESTED BY A BEND TEST FOR ALL METALS. THE TEST SAMPLE SHALL BE BENT 90 DEGREES TO DETERMINE DEPOSIT ADHESION. TESTING SHALL BE COMPLETED IN ACCORDANCE WITH ASTM SPEC B571.


2. DESIGN - GENERAL:

- A. THIS IS A 100% CAD GENERATED PART. THE CAD MATHEMATICAL DATA IS THE MASTER FOR THIS PART. FOR DIMENSIONAL OR ANY INFORMATION NOT SHOWN ON THIS DRAWING, ANALYZE THE CAD MODEL.
- B. TOLERANCES:
 - 1. LINEAR
 - 0.X ± 0.30
 - 0.XX ± 0.10
 - 0.XXX ± 0.10
 - 2. ANGULAR X° ± 3°
 - 3. 
- C. MINIMUM WALL THICKNESS REQUIRED: 1.3mm.
- D. CORNERS SHOWN AS SHARP TO BE R 0.2 MAX.
- E. LETTERING SHALL BE 0.15 MAX RAISED IN 0.20 MAX RECESS PAD. THIS INCLUDES MATERIAL CODE, RECYCLING CODE, CAVITY ID AND DATE CODE.
- F-1. PARTS MUST BE FREE OF DISCOLORATION, SALT RESIDUE AND OTHER IMPERFECTIONS THAT AFFECT FIT OR FUNCTION.
- F-2. SCRATCHES OR DENTS NOT TO EXCEED 0.013mm IN DEPTH.
- G. FOLLOWING PRODUCTION CODES TO BE PERMANENTLY MARKED & HUMAN READABLE TO A LETTER HEIGHT OF 1.5 ± 0.5MM X 0.3 MAX DEEP
 - 1. MATERIAL #: XXXXX-XXXX
 - 2. DATE CODE: JJYY (JULIAN DAY, LAST DIGIT OF YEAR)
 - 3. INSPECTION MACHINE CODE + SERIAL #: X_XXXXX

3. DESIGN - MANUFACTURING:

- A. DRAFT TO BE WITHIN TOLERANCE.
- B. ALLOWABLE FLASH MAX 0.2 HIGH X MAX 0.13 THICK.
- C. ALLOWABLE PARTING LINE MISMATCH 0.2 MAX.
- D. EJECTOR PINS MARK TO BE FLUSH TO 0.25 MAX DEPRESSED.
- E. ALLOWABLE GATE VESTIGE FLUSH TO 0.25 MAX PROTRUSION.
- F. NO EXTERNAL MOLD RELEASE AGENT ALLOWED DURING MANUFACTURING.
- G. STEEL THAT FORMS THE INDICATED SURFACE MUST BE POLISHED WITH A DIAMOND FINISH (SPI A-2) OVER THE FULL PERIPHERY OF THE TOOL. SURFACE MUST HAVE NO MISMATCH.
- H. ANY PROCESS LUBRICANT REMAINING ON THE TERMINAL MUST NOT VARNISH OR DEGRADE IT'S ELECTRICAL PERFORMANCE UP TO A MAXIMUM CLASS AMBIENT TEMPERATURE PER SAE USCAR-2 FOR 1008 HOURS. PROCESS LUBRICANTS SHOULD BE APPROVED BY THE RESPONSIBLE ENGINEER.
- J. OPTIONAL FEATURES PROVIDED FOR AUTOMATION.
- K. PART MUST BE FREE FROM BURRS AND SHARP EDGES, WHICH MIGHT BE DETRIMENTAL TO SATISFACTORY ASSEMBLY, SAFE HANDLING OR FUNCTION OF PART.
- L. PARTS AS DELIVERED TO ASSEMBLY SHALL BE CLEAN AND FREE OF DEBRIS, RESIDUAL ABRASIVE MATERIAL AND CORROSION PRODUCTS ADVERESLY AFFECTING FUNCTION OR APPEARANCE.
- M. RESTRICTED AND REPORTABLE SUBSTANCES FOR PARTS PER GMW3059.

002C

	PAGE TITLE	DRAWING NUMBER 12642695	DWG STATUS			PAGE NUMBER 6 OF 21
	NOTES		ST	REV	PDI	
			R	002		

NOTES: UNLESS OTHERWISE SPECIFIED

4. SYSTEM REQUIREMENTS:

A. HARNESS CONNECTOR IS COMPATIBLE WITH THE FOLLOWING SAE WIRE SIZE NO'S:

- 14, MEETING SAE J1128
- 18, MEETING SAE J1128, MAX O.D. OF 2.06 MM
- 20, MEETING SAE J1128
- 22, MEETING SAE J1128, MIN O.D. OF 1.47 MM

B. CABLE TIE SPECIFICATIONS:

- 1. CABLE TIE:
 - TENSILE RATING: 220N / (50lbs) MIN
 - TIE LENGTH: 186mm MIN
 - TIE WIDTH: 4.75mm MAX
 - MATERIAL: NYLON
- 2. INSTALLATION:
 - CABLE TIE TENSION: 190N MIN
- 3. DRESSED WIRE BUNDLE PACKAGING: SEE FIG. 1

C. WHEN MATED WITH COMPONENT CONNECTOR INTERFACE AND/OR DRESS COVER, HARNESS CONNECTOR SYSTEM CONFORMS TO THE FOLLOWING:

- 1. SAE/USCAR-2, REV: 3 APRIL, 2001; CLASS 3
- 2. FIELD CORRELATED LIFE TEST, SAE/USCAR-20, NOV. 2001
- 3. GMW #3191 AUGUST 22, 2000 (DRAFT); TEMPERATURE CLASS 3, SEALING CLASS 1, VIBRATION CLASS 2
- 4. RESTRICTED AND REPORTABLE CHEMICALS PER GMW #3059, REV: D AUGUST 2002
- 5. TPA USER FORCES (FULLY POPULATED WITH TERMINALS)
 - a. REMOVAL FROM LOCK TO PRE-SET: <=120N

D. WIRE SPECIFICATIONS:

- 1. WIRE SURFACE MUST BE FREE OF SCRATCHES, GROOVES OR DENTS WHERE FUNCTIONAL

5. TERMINAL CURRENT RATINGS:

ALL TESTING DONE IN ACCORDANCE WITH USCAR-2 REV5 SECTION 5.3

A. MX64 RCPT TERM

- 1. MX64 RCPT TERM Ag 18/20 GAGE CRIMPED TO SAE WIRE SIZE NO.18 AND MATED TO MX123 0.64MM PIN: 11.3 AMPS
- 2. MX64 RCPT TERM Ag 22 GAGE CRIMPED TO SAE WIRE SIZE NO.22 AND MATED TO MX123 0.64MM PIN:8.5 AMPS

WIRE	CURRENT RATING			
	23°C	85°C	105°C	125°C
18AWG	11.3A	11.3A	9.5A	6.6A
20AWG	10.0A	10.0A	8.3A	5.7A
22AWG	8.6A	8.6A	7.1A	5.0A

B. 2.8MM RCPT TERM

- 1. 2.8MM RCPT TERM TIN 14 GAGE CRIMPED TO SAE WIRE SIZE NO.14 AND MATED TO MX123 2.8MM BLADE: 25.6 AMPS

6. CONTACT MOLEX AUTOMOTIVE FOR AVAILABLE CUSTOM PATTERNS OF CAVITIES OPEN FOR CIRCUITS



PAGE TITLE
NOTES

DRAWING NUMBER

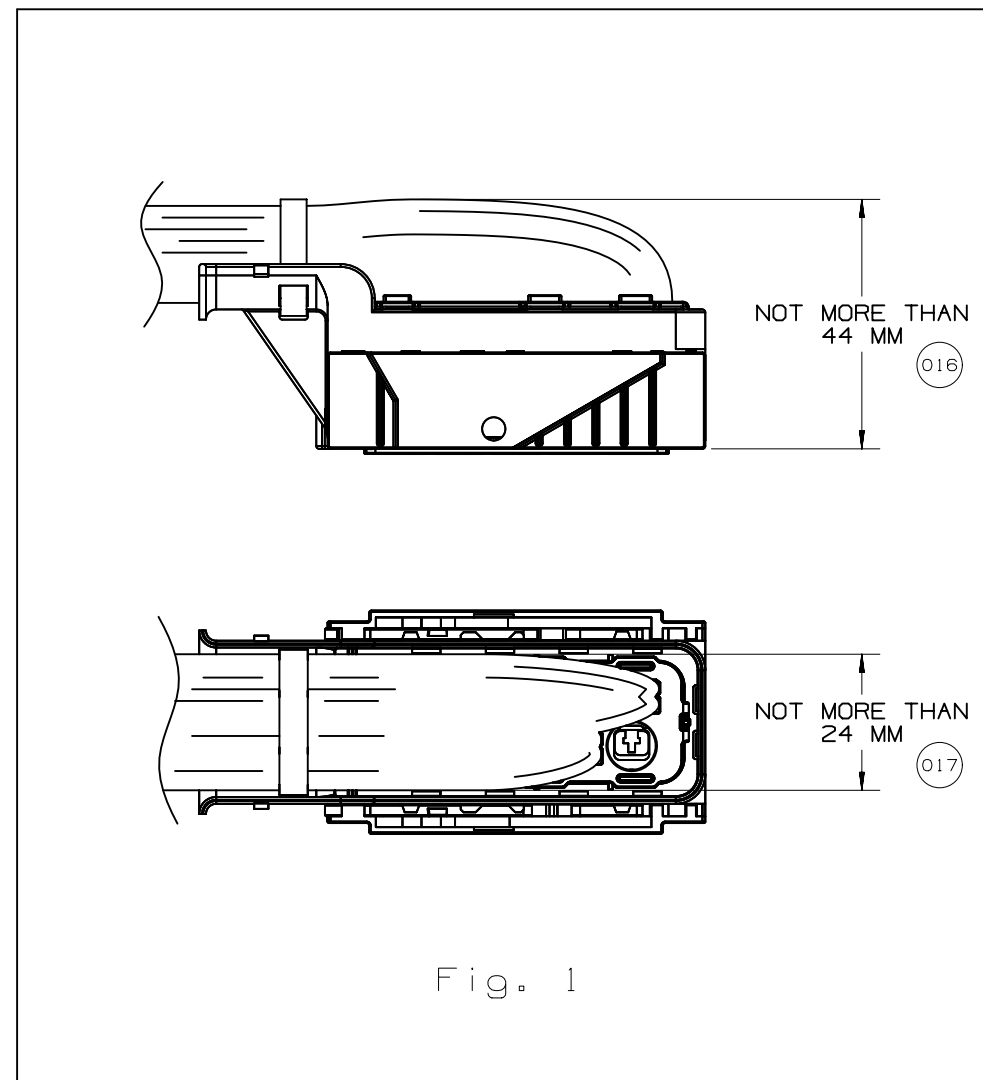
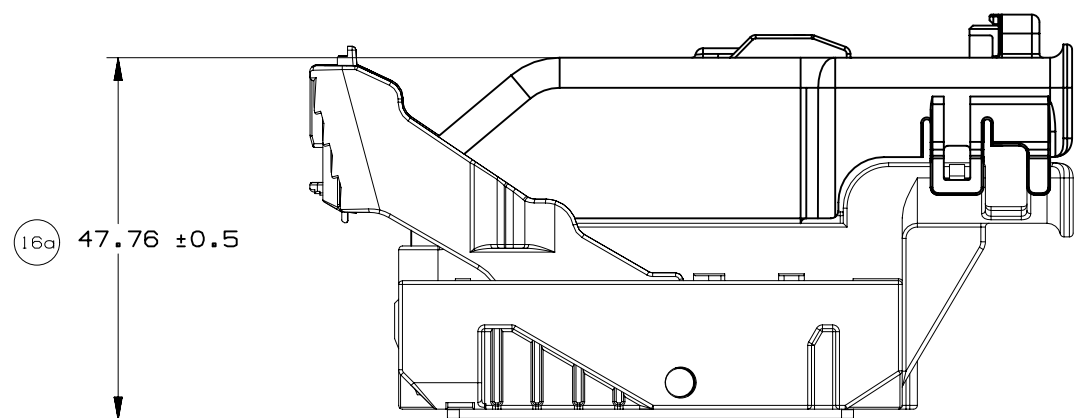
12642695

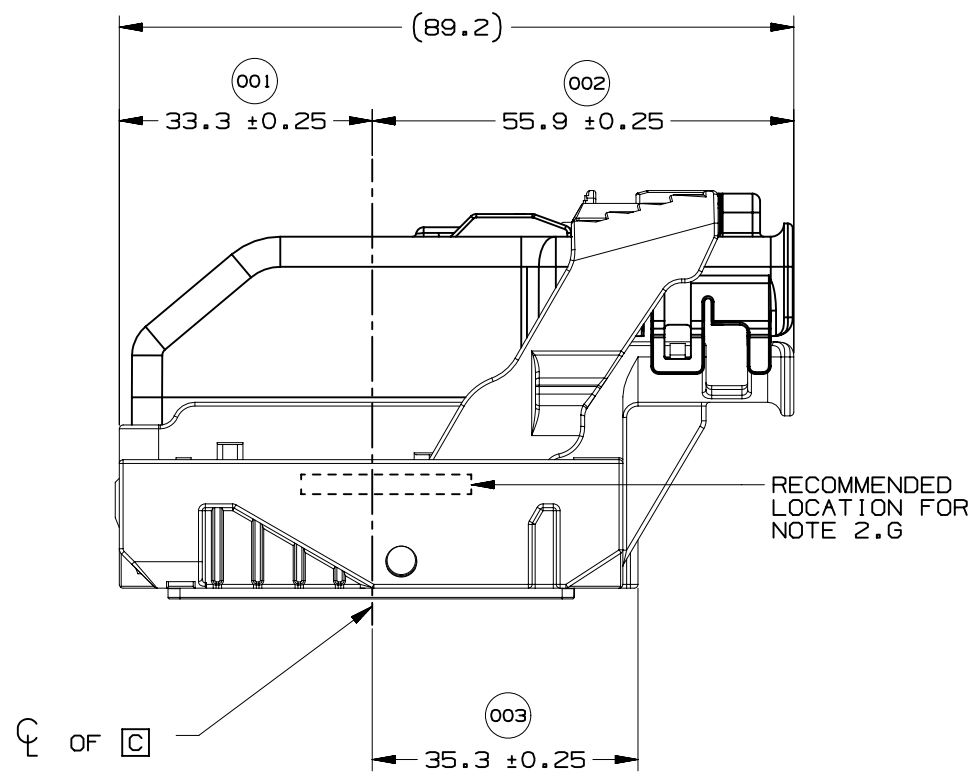
DWG STATUS

ST	REV	PDI
R	002	

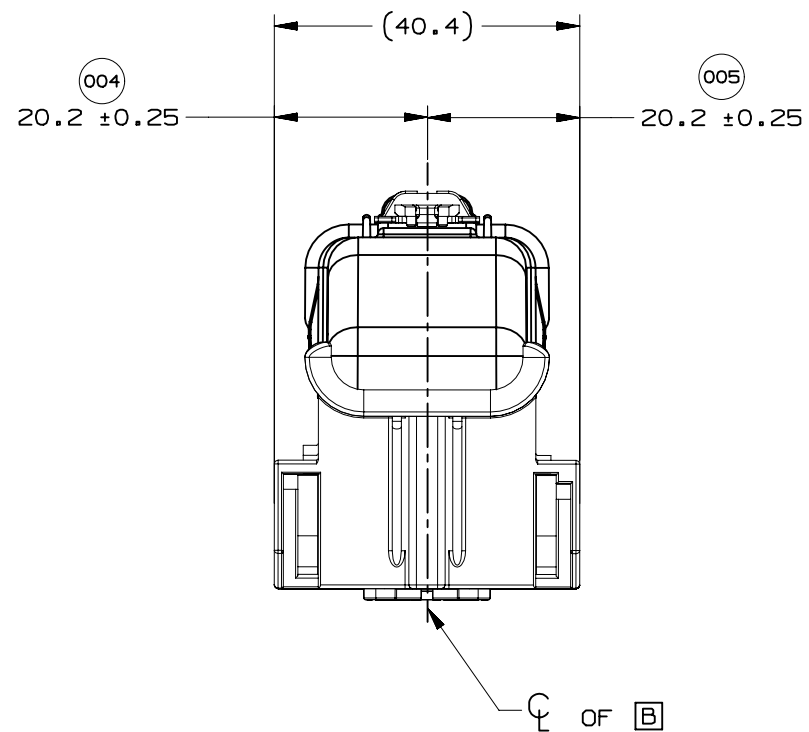
PAGE NUMBER

7 OF 21

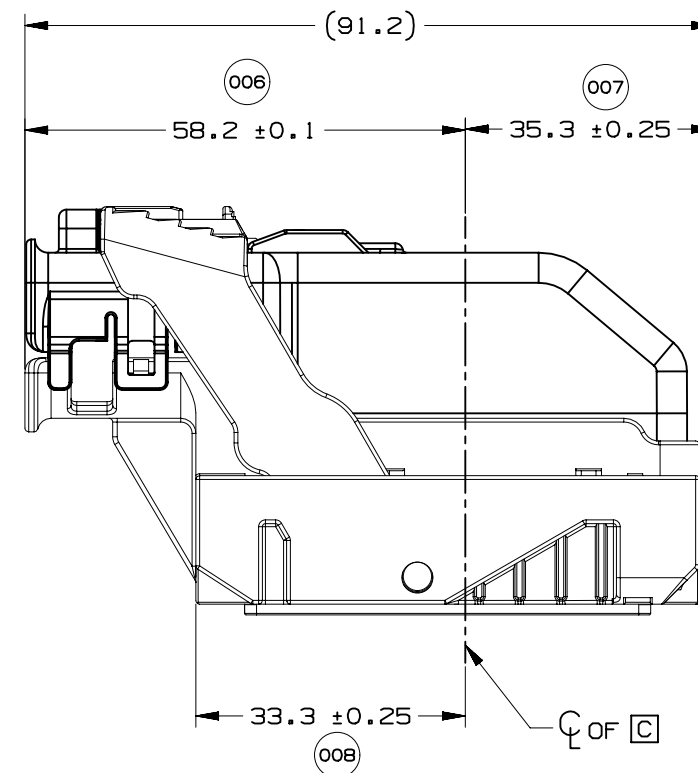




WIRE DRESS OPTION 0 SHOWN

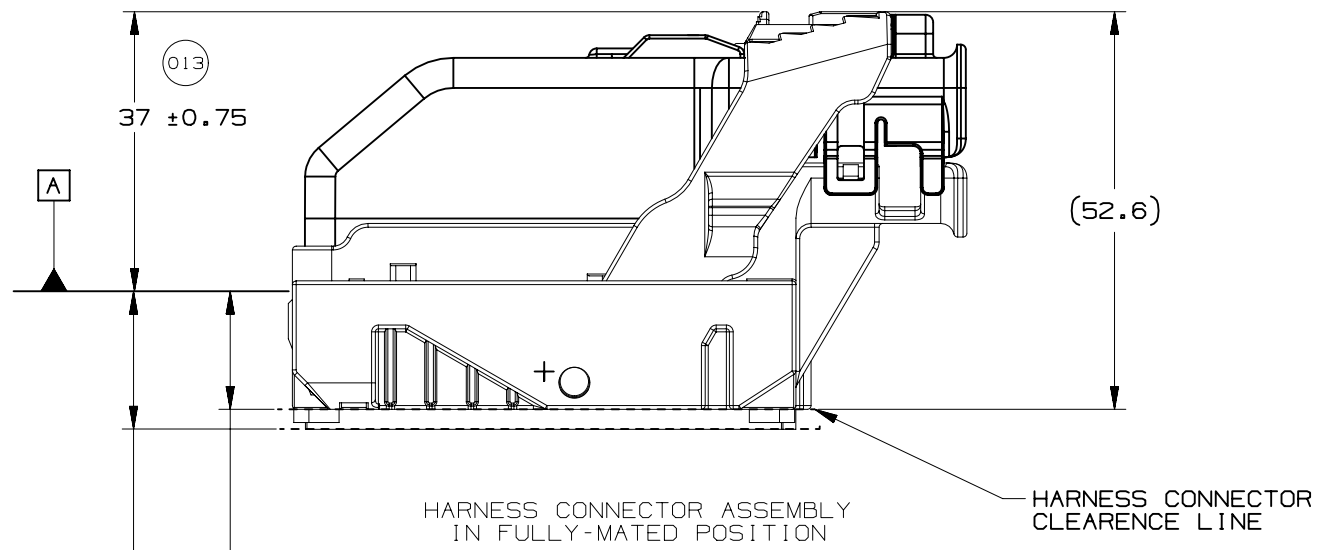
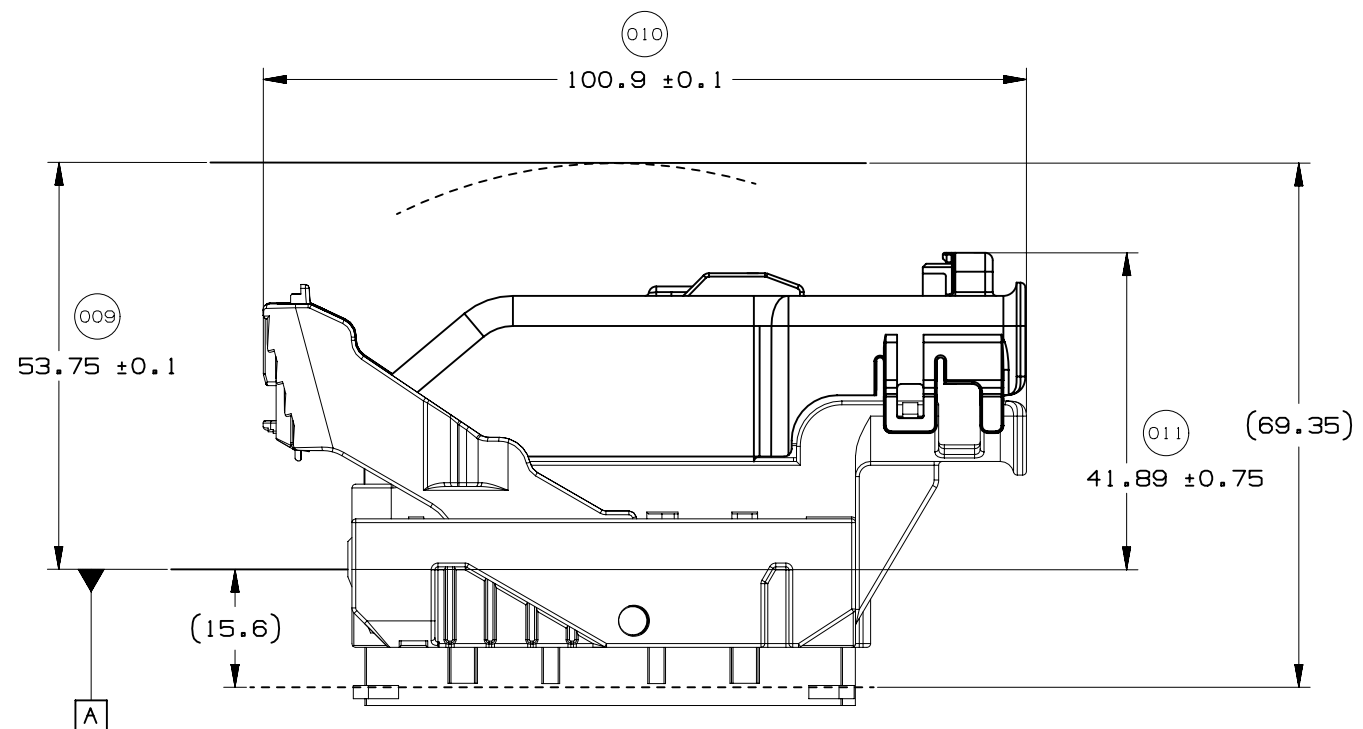
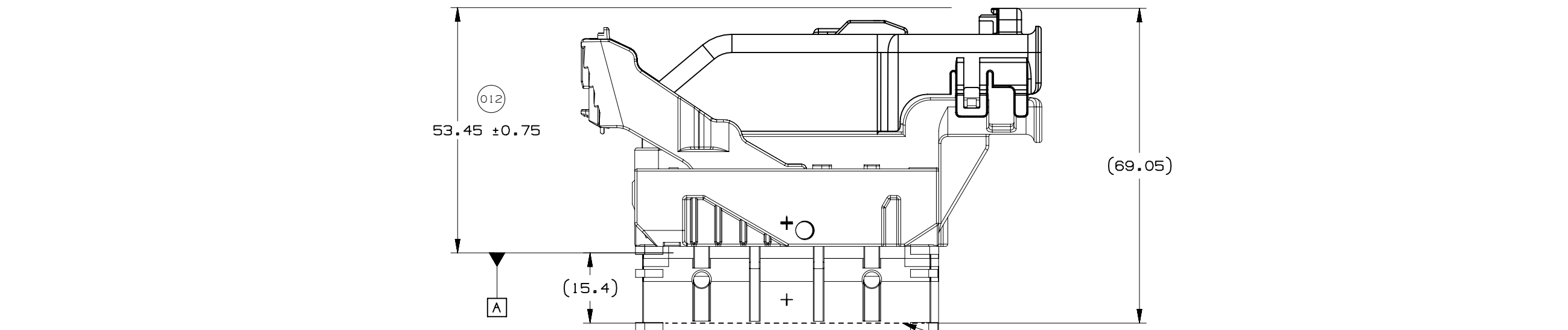


WIRE DRESS OPTION 0 SHOWN



WIRE DRESS OPTION 9 SHOWN





15.6 MIN. ALL AROUND CLEARANCE REQUIRED FOR HARNESS CONNECTOR

014

17.9 MIN. AT PAD LOCATION CLEARANCE REQUIRED FOR HARNESS CONNECTOR CONSTRUCTION BELOW THIS PLANE IS NOT CONTROLLED

015

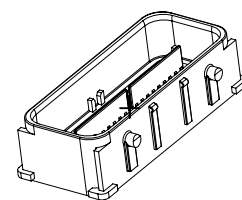
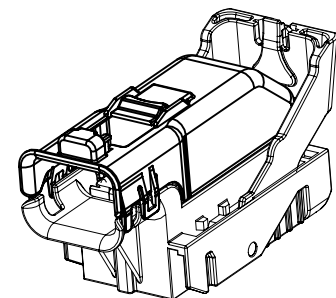
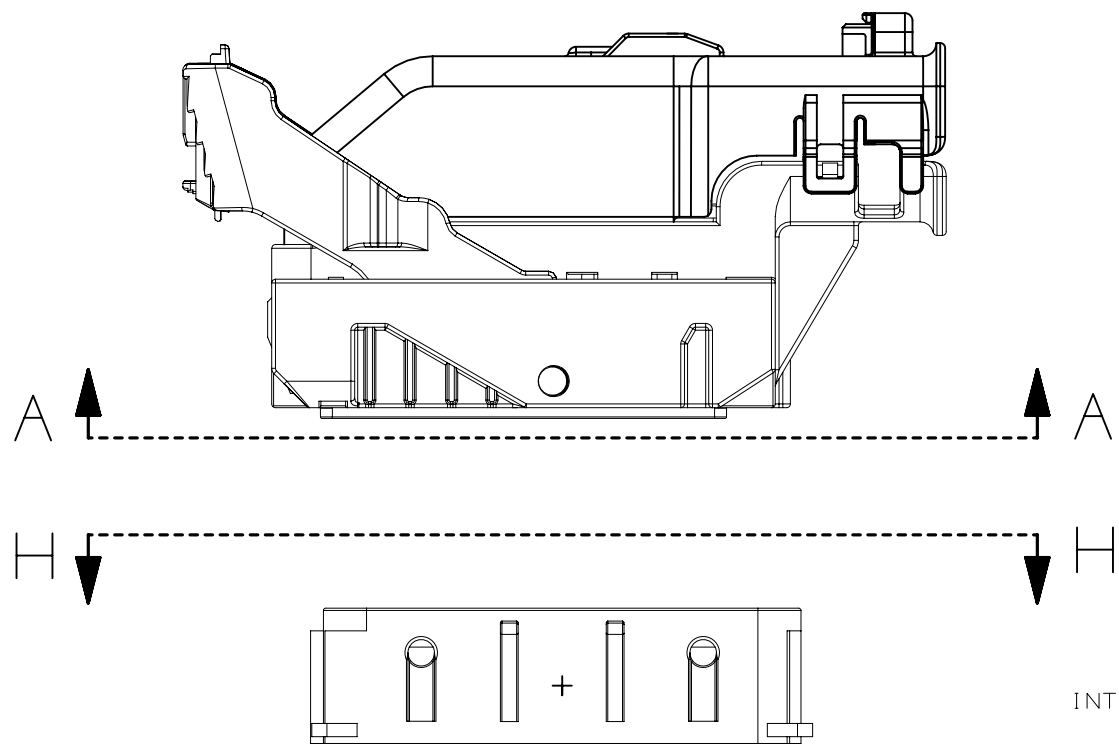


PAGE TITLE
 LOCATION AND PACKAGING DIMENSIONS
 REFERENCING INTERFACE DATUM A

DRAWING NUMBER
 12642695

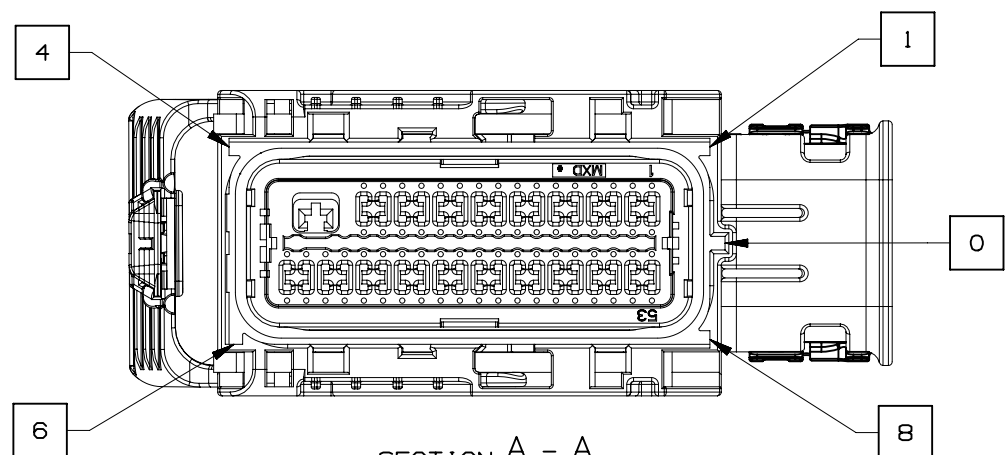
DWG STATUS		
ST	REV	PD1
R	002	

PAGE NUMBER
 10 OF 21

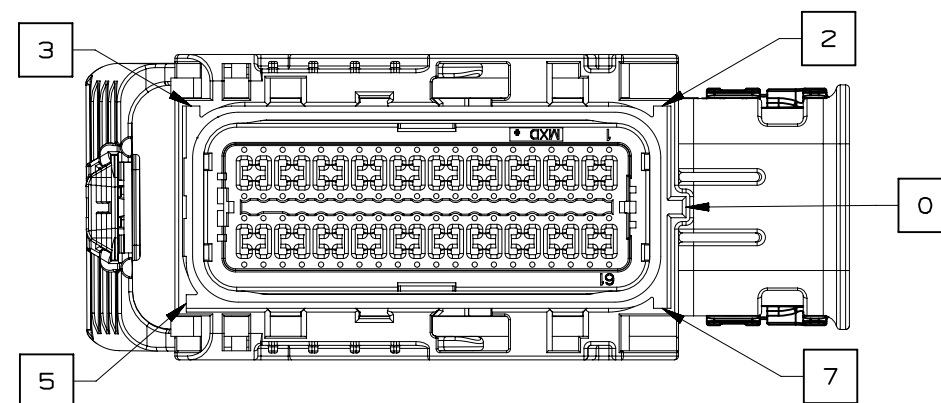


NOTE: REFERENCE THE COMPONENT TABLE FOR KEY OPTIONS AND CONFIGURATIONS

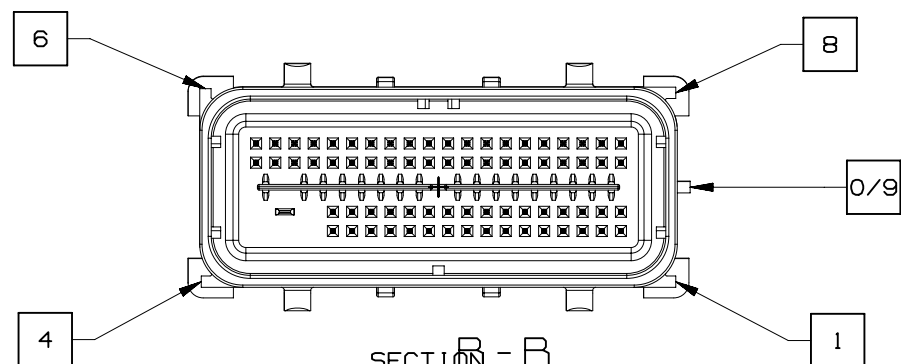
INTERFACE SIDE SHOWN ON ALL SECTION VIEWS



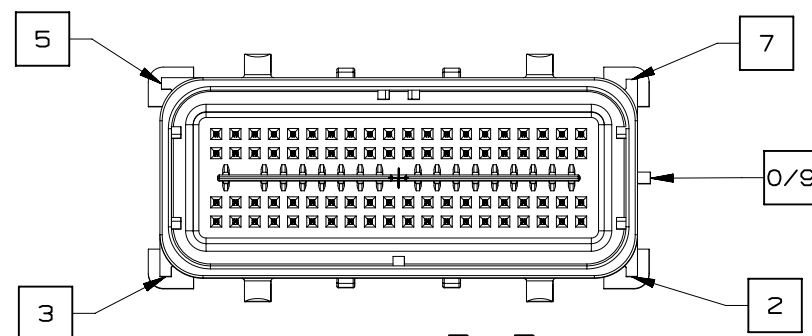
SECTION A - A
KEY OPTION B SHOWN



SECTION A - A
KEY OPTION K SHOWN



SECTION B - B
KEY OPTION B SHOWN



SECTION B - B
KEY OPTION K SHOWN

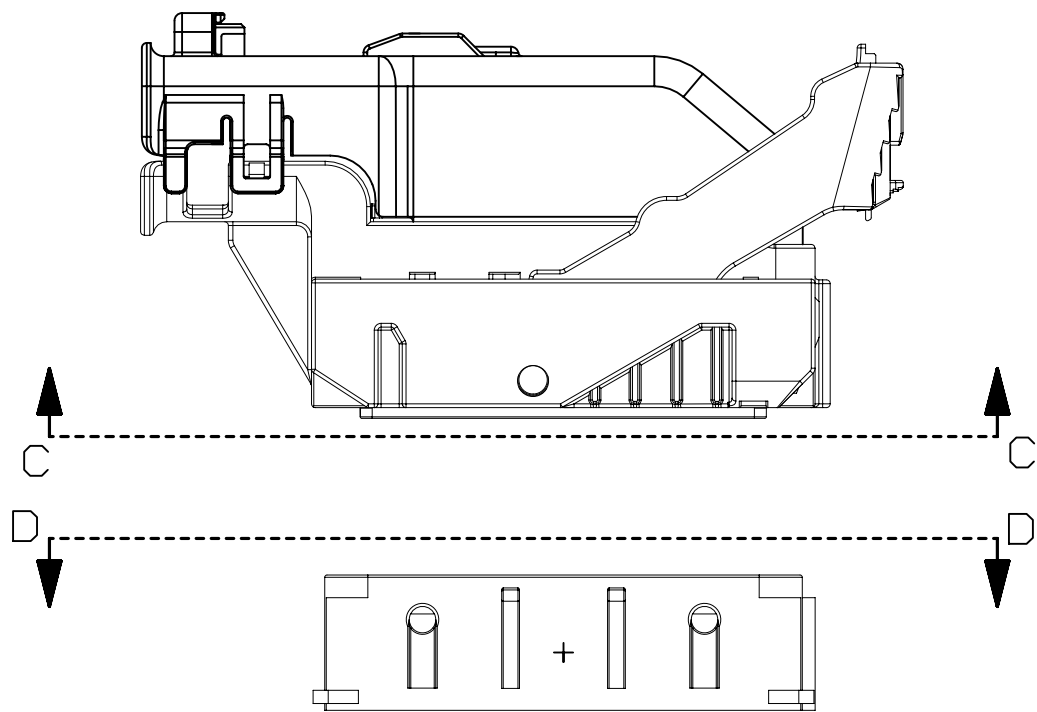


PAGE TITLE
KEY ID REF - WIRE DRESS OPTION 0

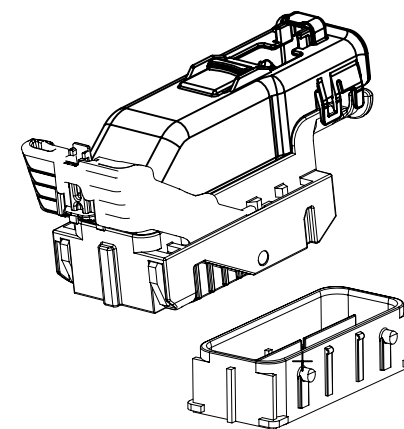
DRAWING NUMBER
12642695

DWG STATUS		
ST	REV	PD1
R	002	

PAGE NUMBER
11 OF 21

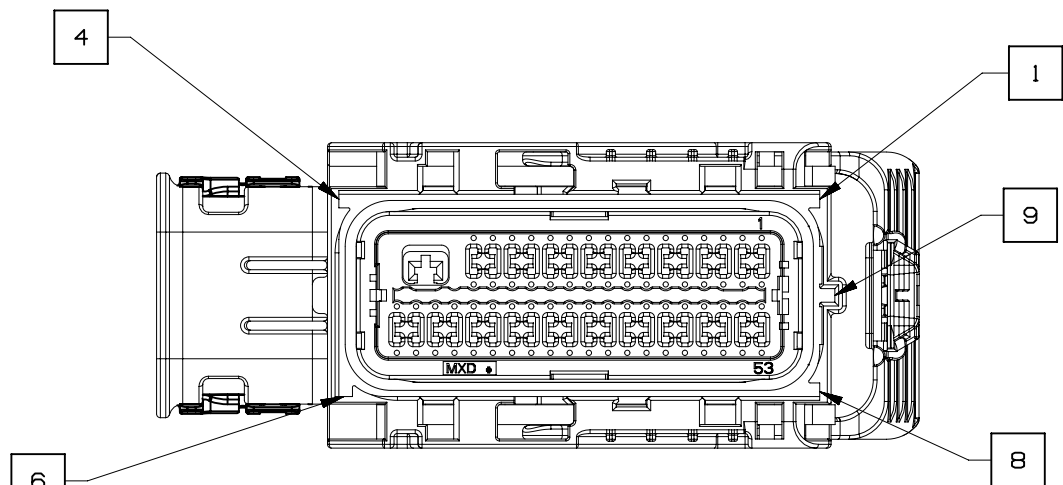


INTERFACE SIDE SHOWN ON ALL SECTION VIEWS

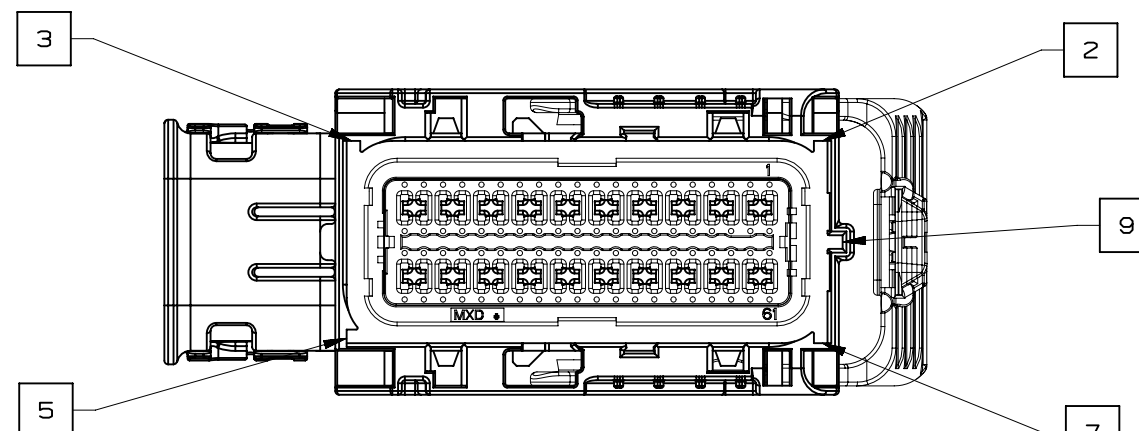


NOTE: REFERENCE THE COMPONENT TABLE FOR KEY OPTIONS AND CONFIGURATIONS

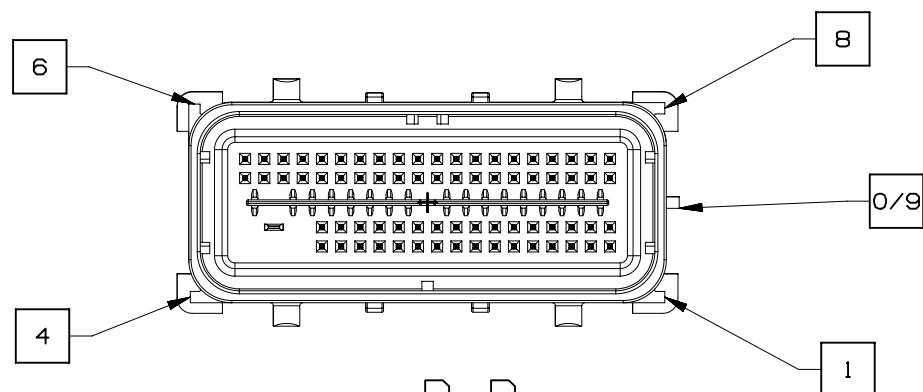
VIEW V



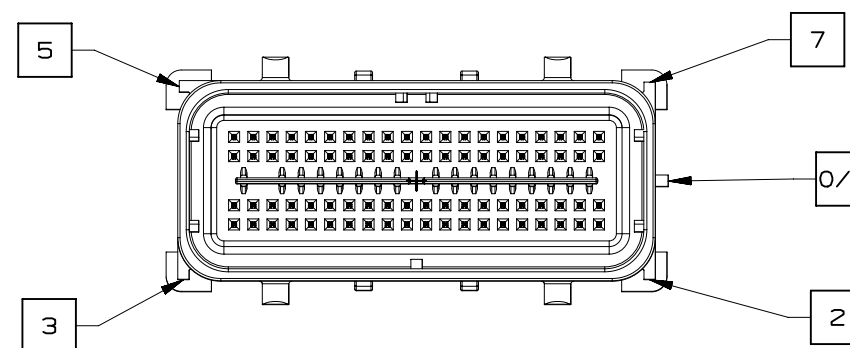
SECTION C-C
KEY OPTION B SHOWN



SECTION C-C
KEY OPTION K SHOWN



SECTION D-D
KEY OPTION B SHOWN



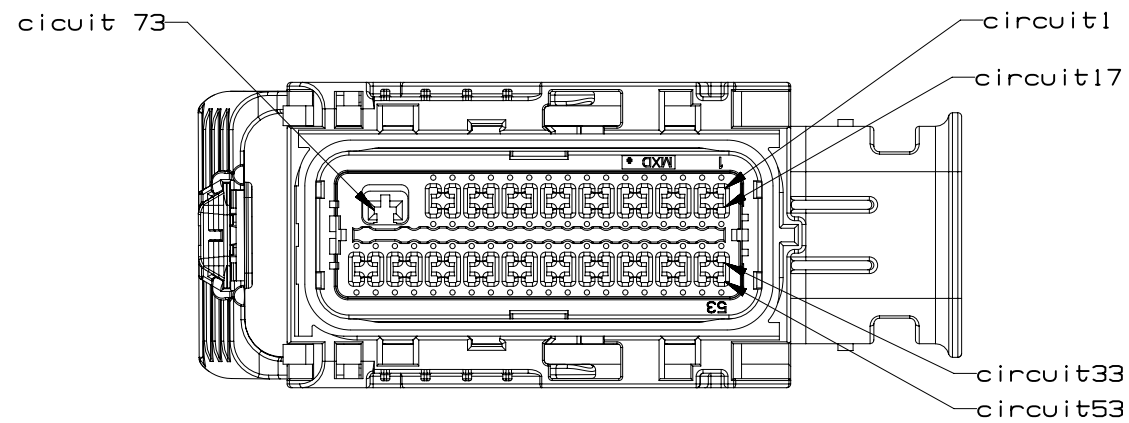
SECTION D-D
KEY OPTION K SHOWN



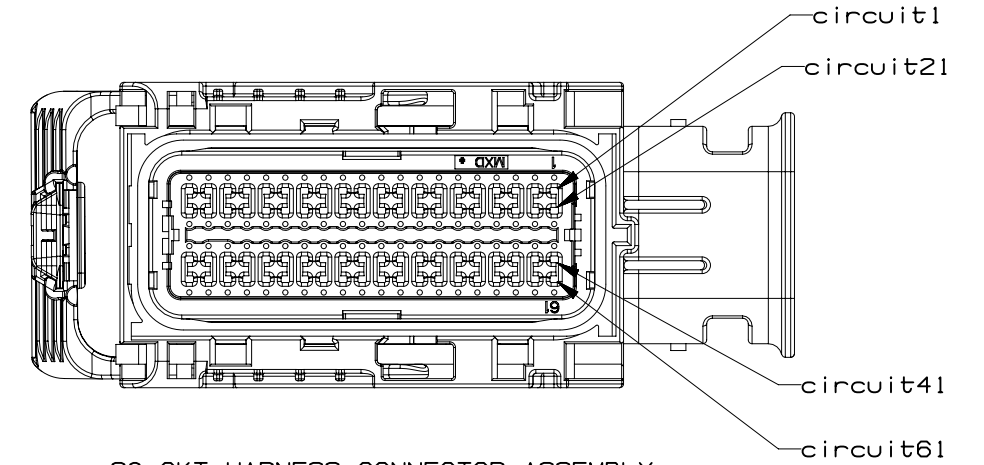
PAGE TITLE
KEY ID REF - WIRE DRESS OPTION 9

DRAWING NUMBER
12642695

DWG STATUS			PAGE NUMBER
ST	REV	PD1	
R	002		12 OF 21

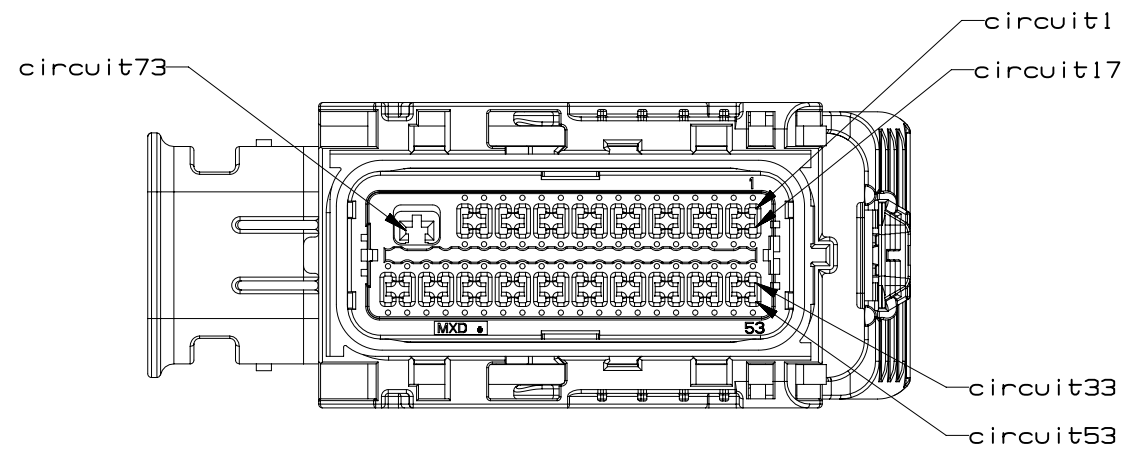


73 CKT HARNESS CONNECTOR ASSEMBLY
WIRE DRESS OPTION 0

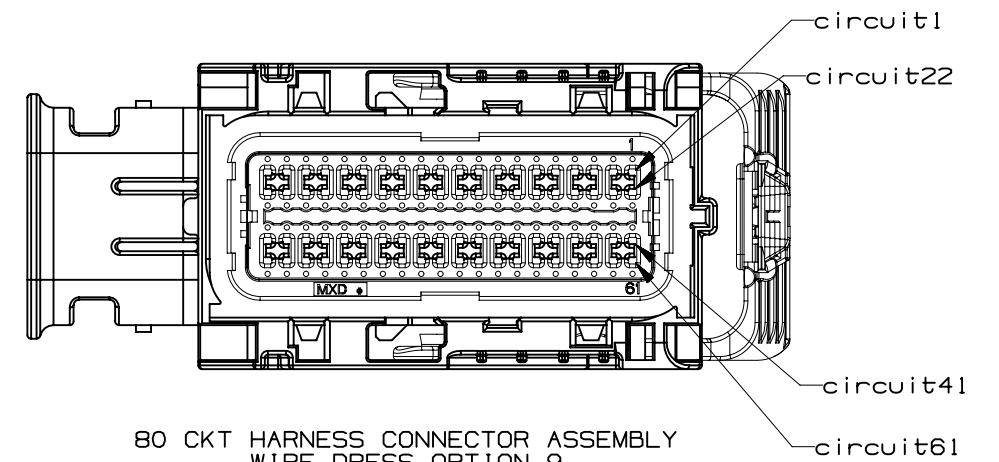


80 CKT HARNESS CONNECTOR ASSEMBLY
WIRE DRESS OPTION 0

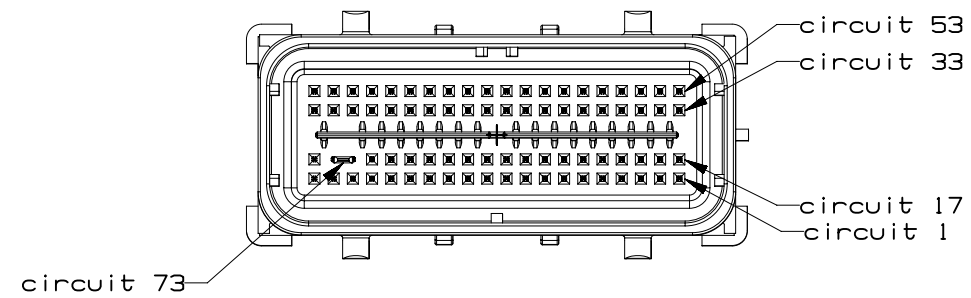
INTERFACE SIDE SHOWN ON ALL VIEWS



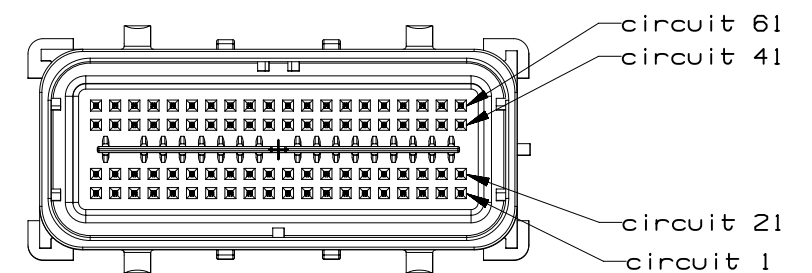
73 CKT HARNESS CONNECTOR ASSEMBLY
WIRE DRESS OPTION 9



80 CKT HARNESS CONNECTOR ASSEMBLY
WIRE DRESS OPTION 9

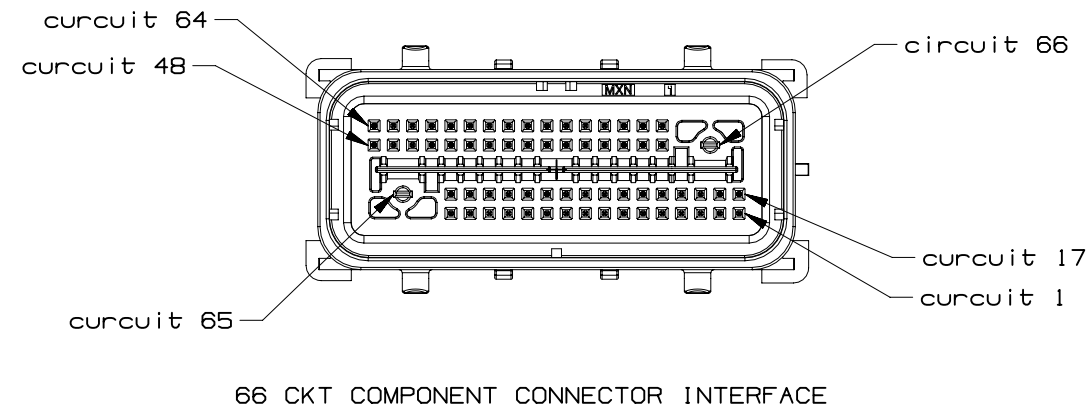
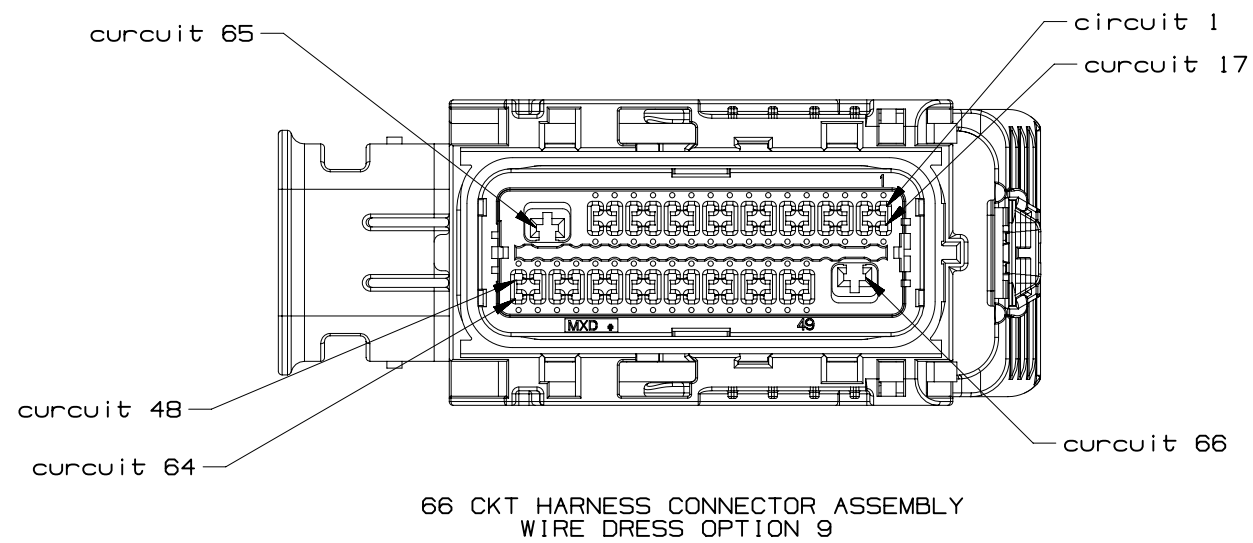
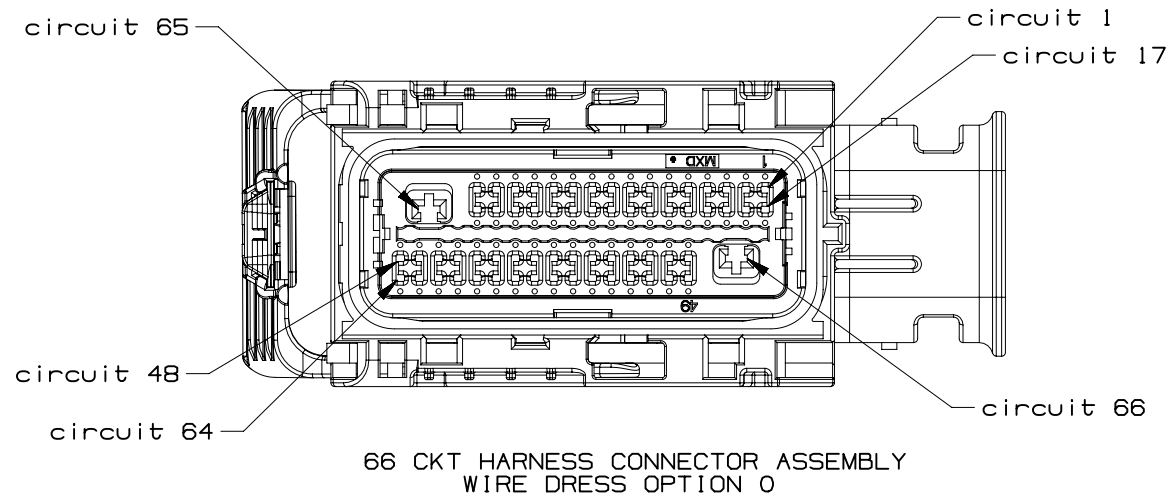


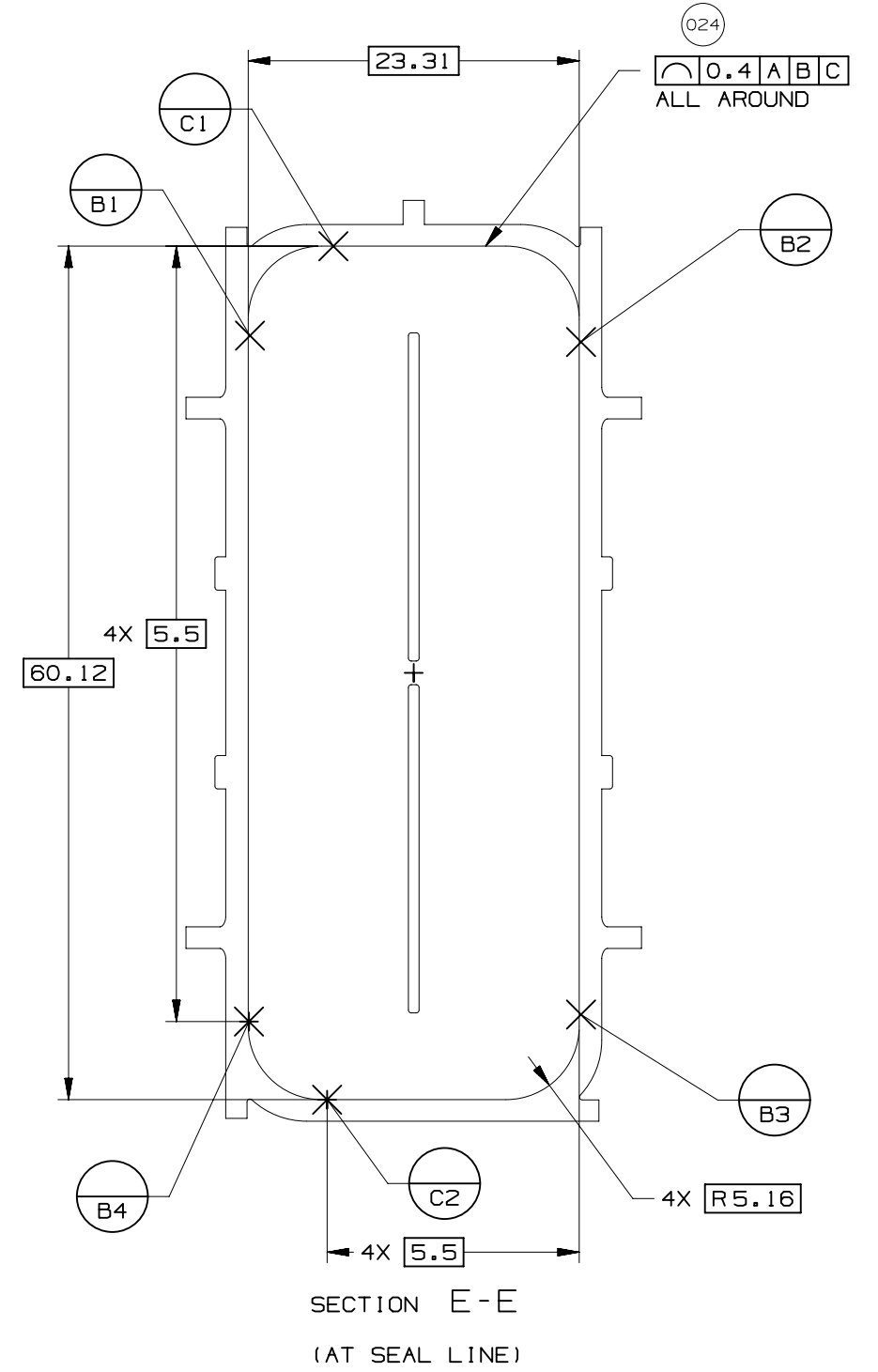
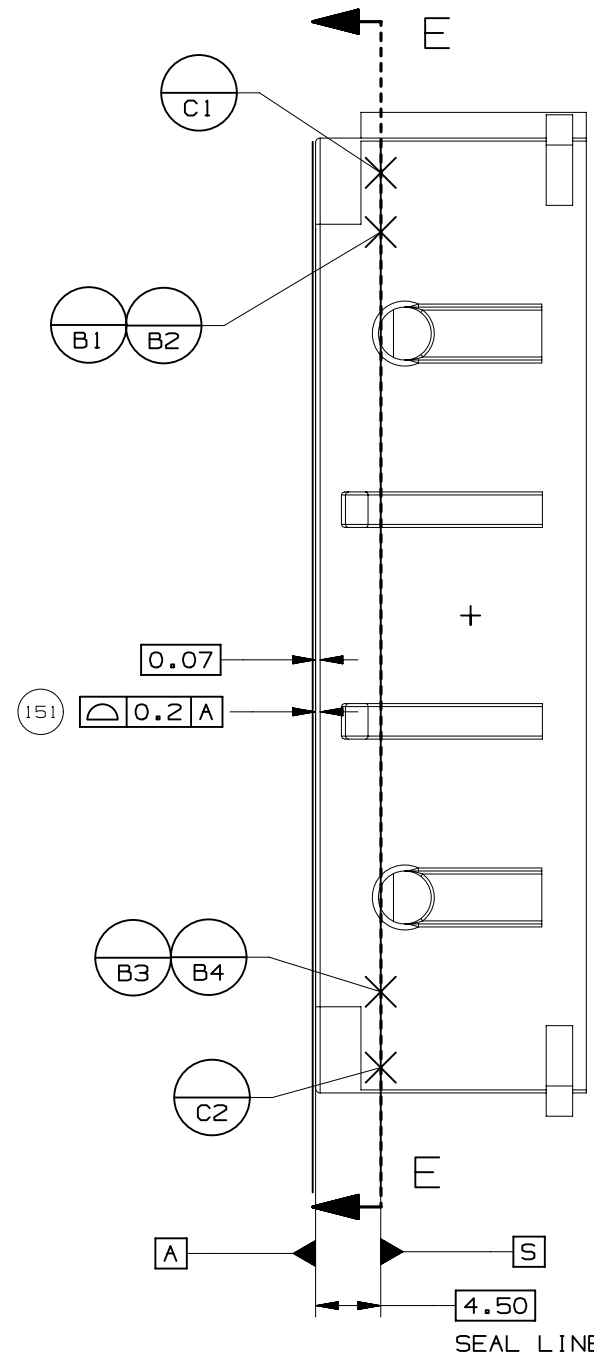
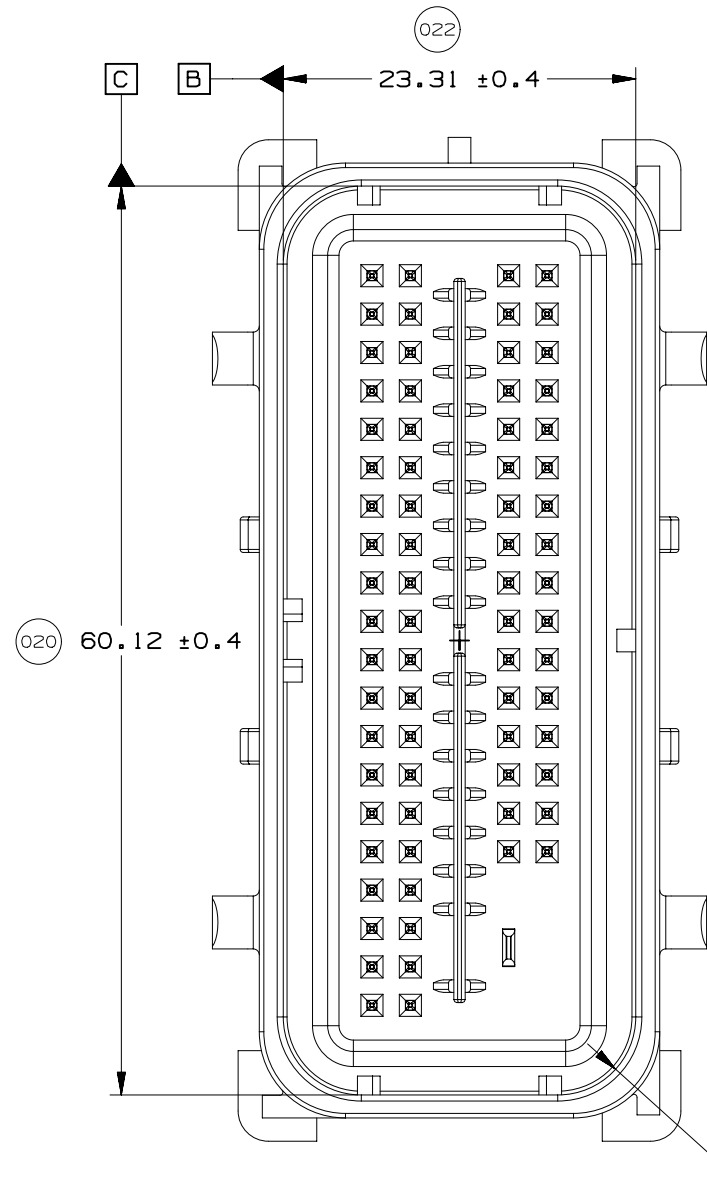
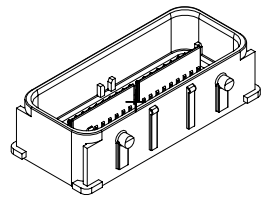
73 CKT COMPONENT CONNECTOR INTERFACE



80 CKT COMPONENT CONNECTOR INTERFACE







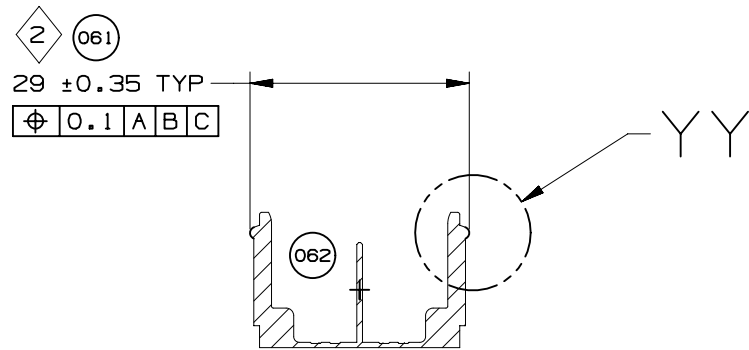
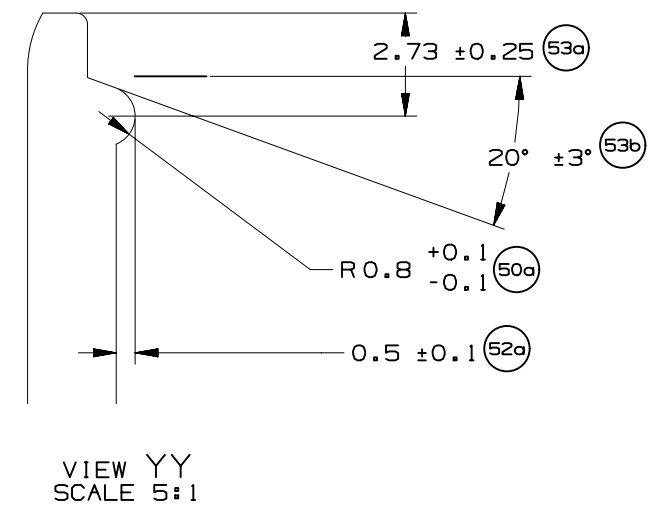
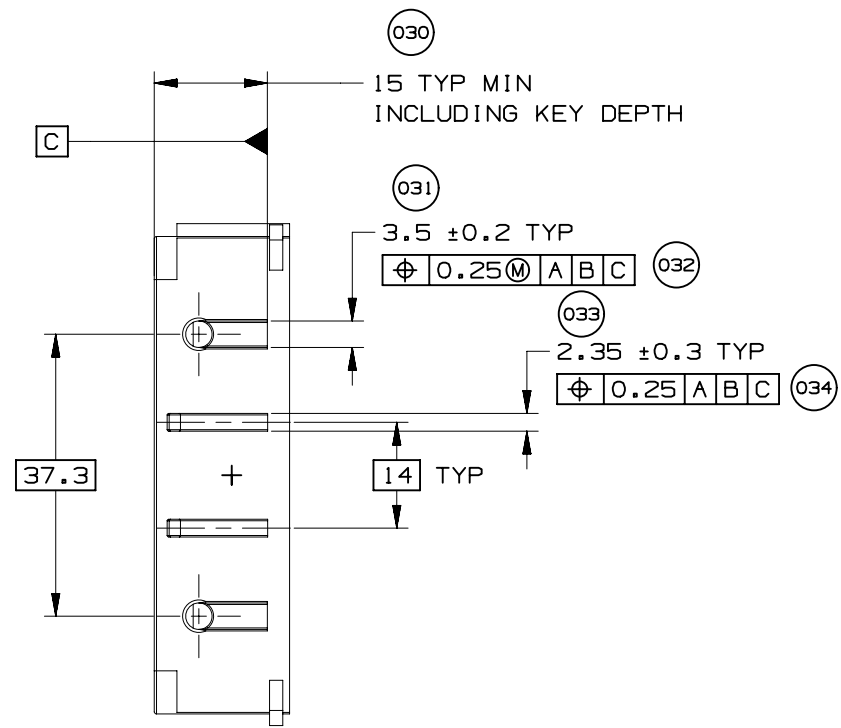
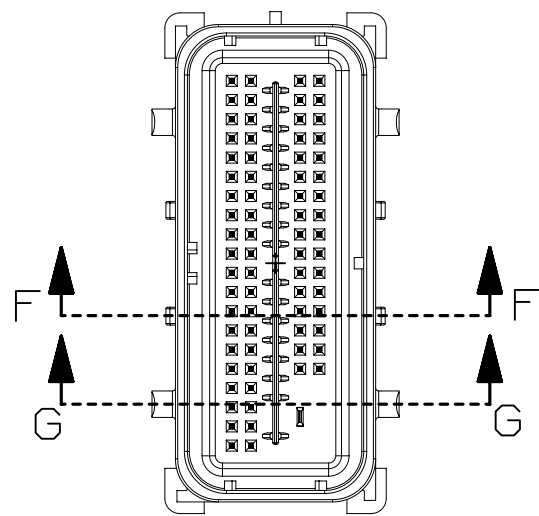
UNLESS SPECIFIED, TOLERANCE OF THE COMPONENT CONNECTOR INTERFACE TO BE $\nabla 0.13 \text{ A B C}$



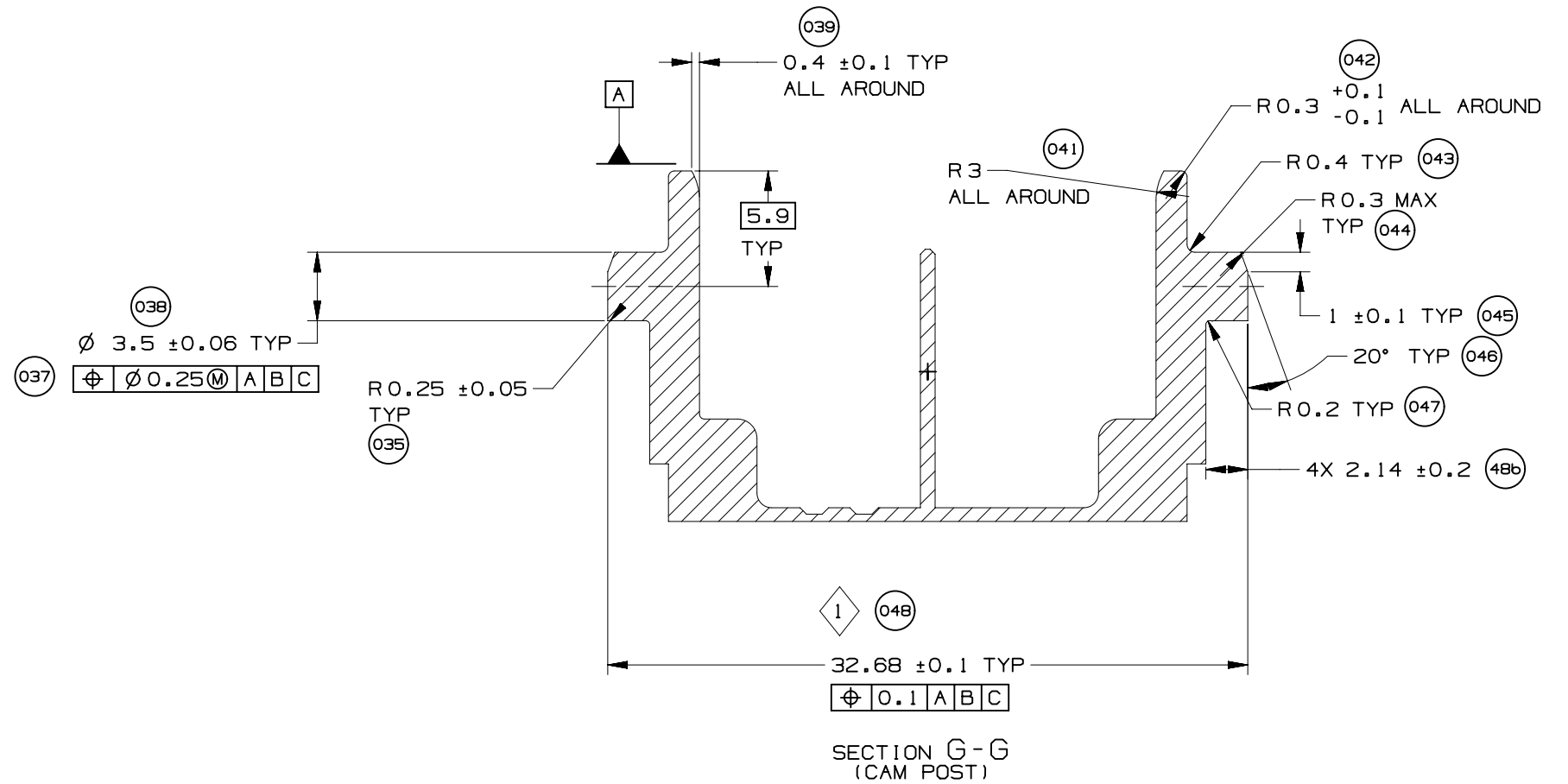
PAGE TITLE
COMPONENT CONNECTOR INTERFACE

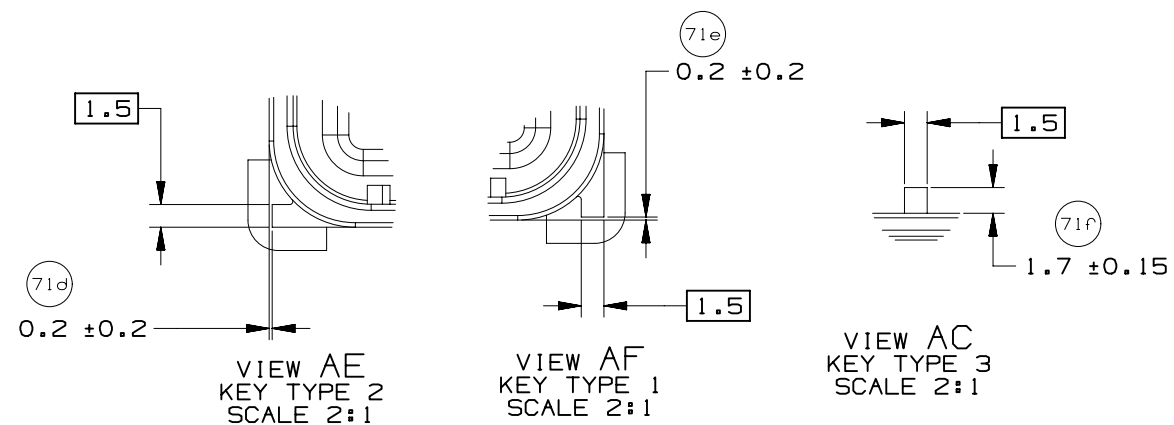
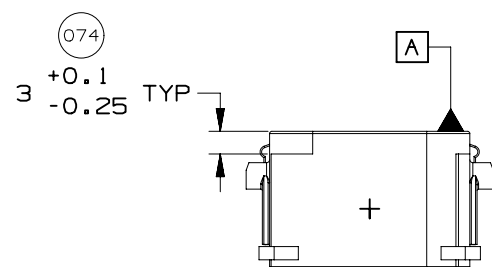
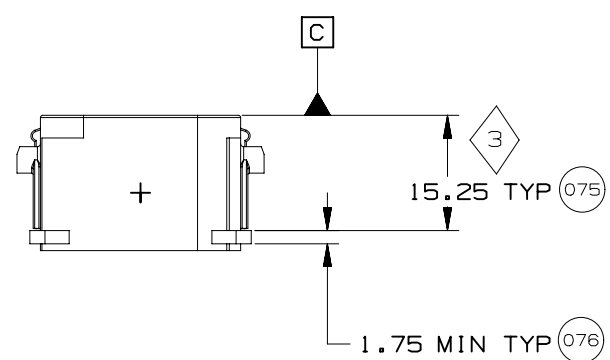
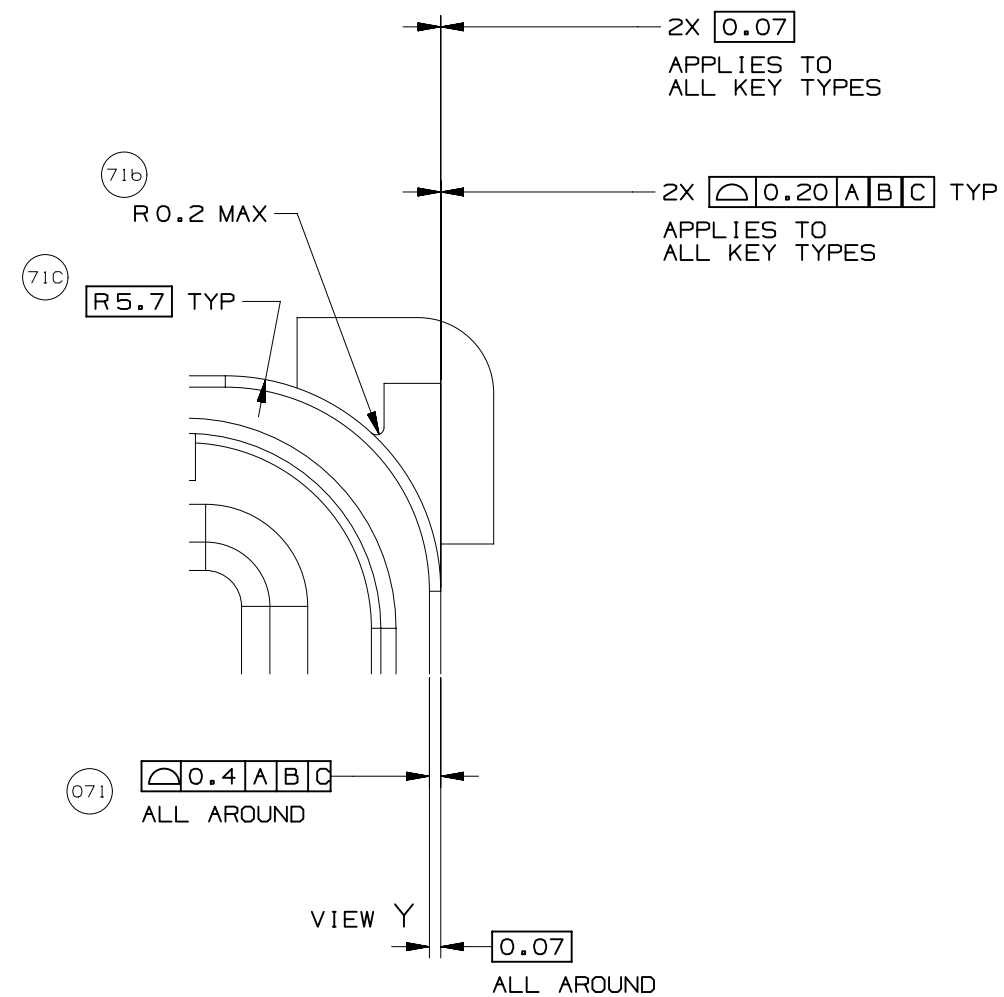
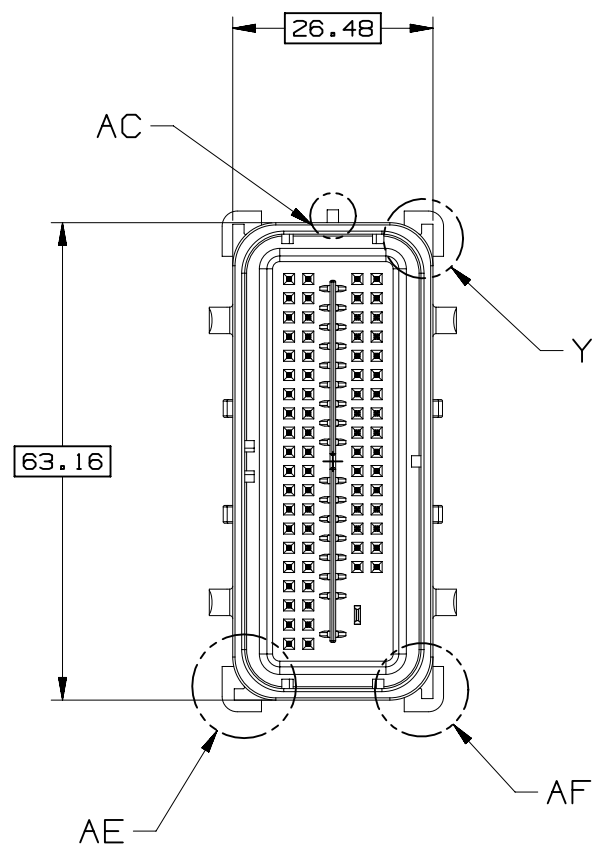
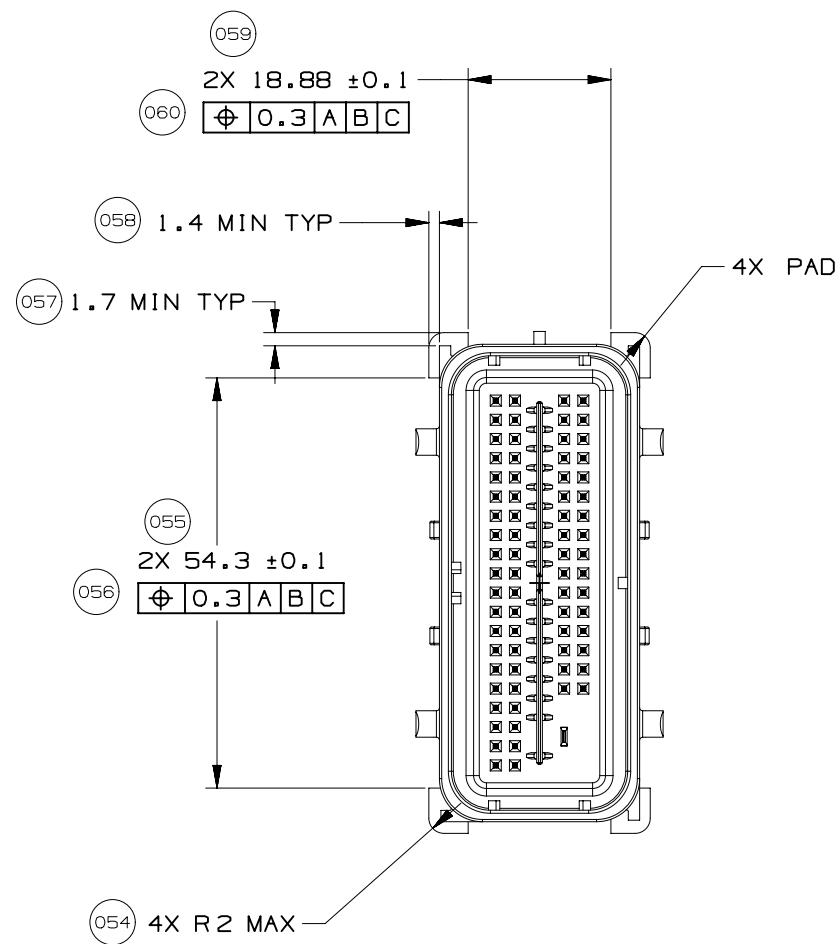
DRAWING NUMBER
12642695

DWG STATUS			PAGE NUMBER
ST	REV	PD1	
R	002		15 OF 21



SECTION F-F

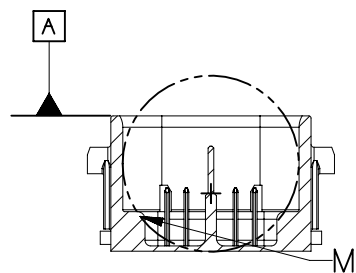
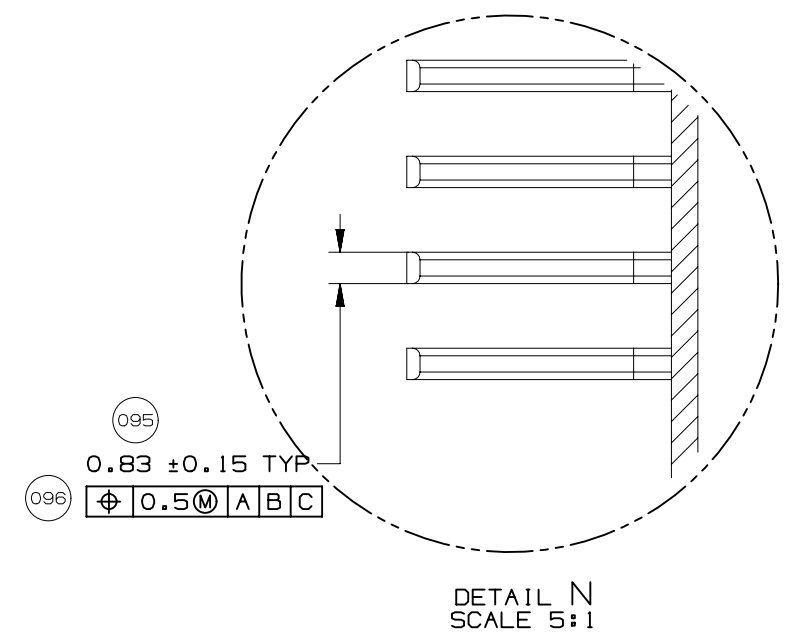
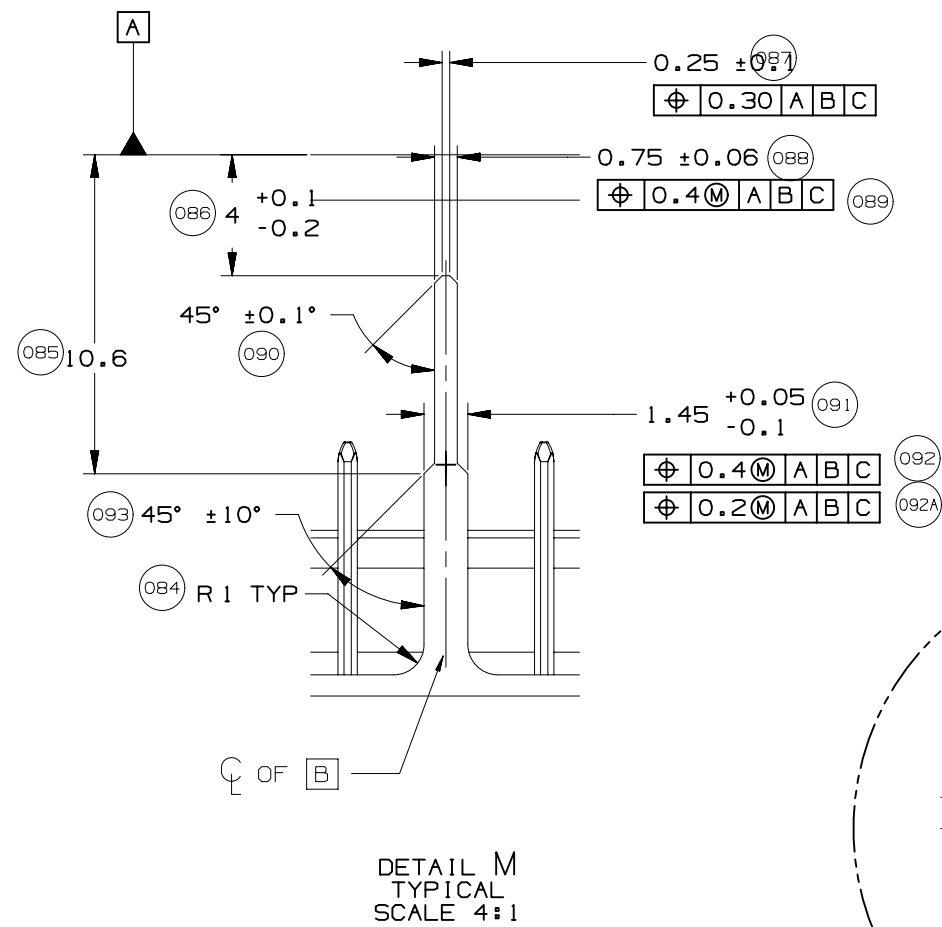
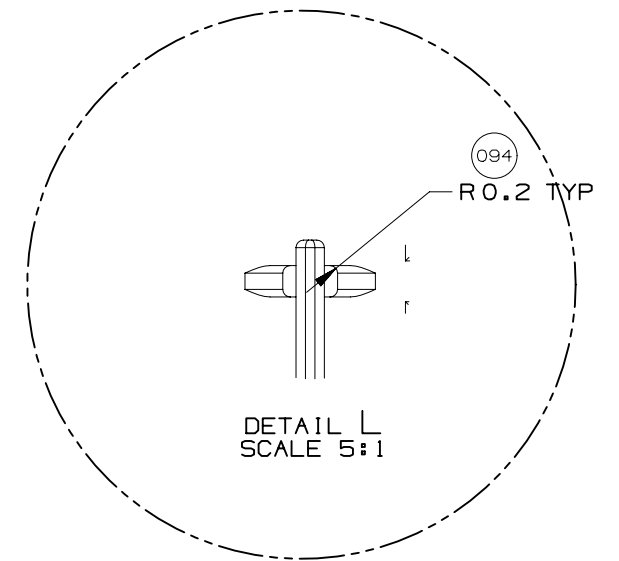
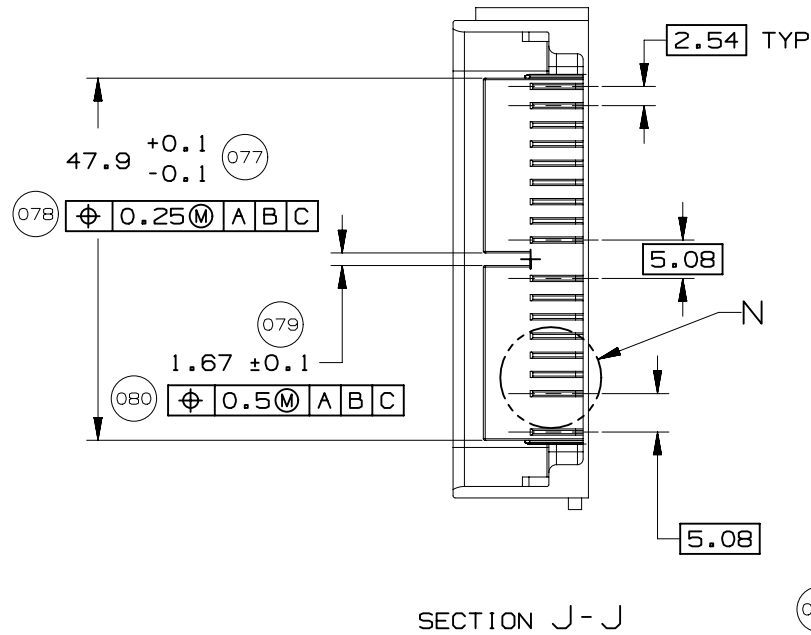
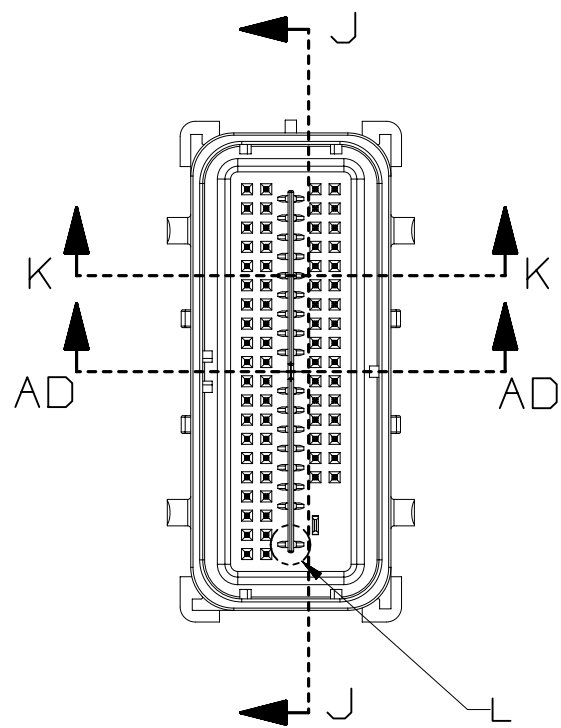




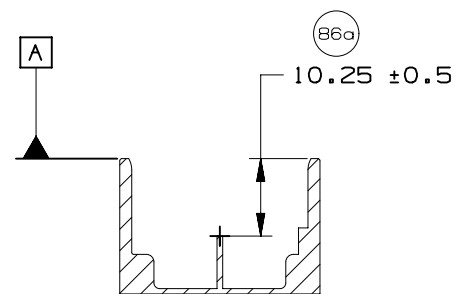
PAGE TITLE
 COMPONENT CONNECTOR INTERFACE

DRAWING NUMBER
 12642695

DWG STATUS			PAGE NUMBER	
ST	REV	PD1		
R	002		17	OF 21

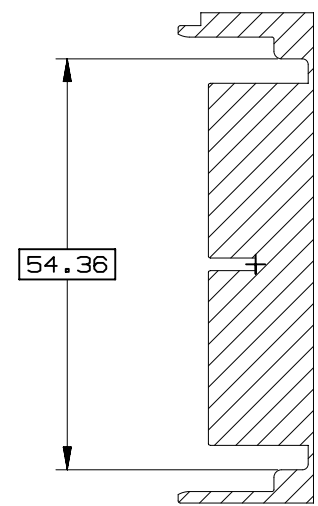
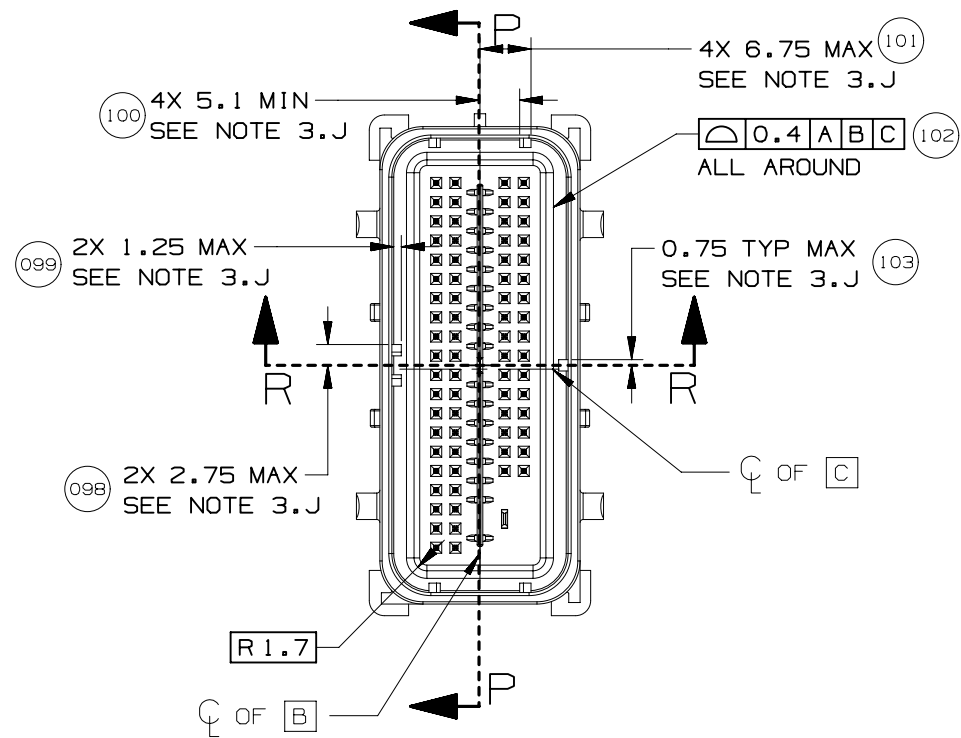


SECTION K-K

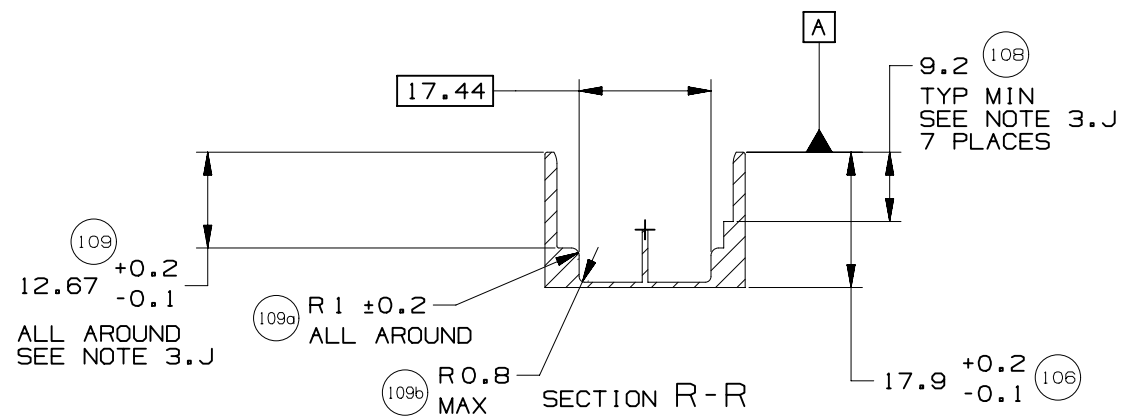


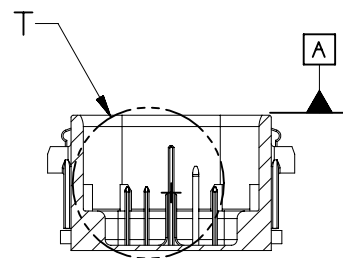
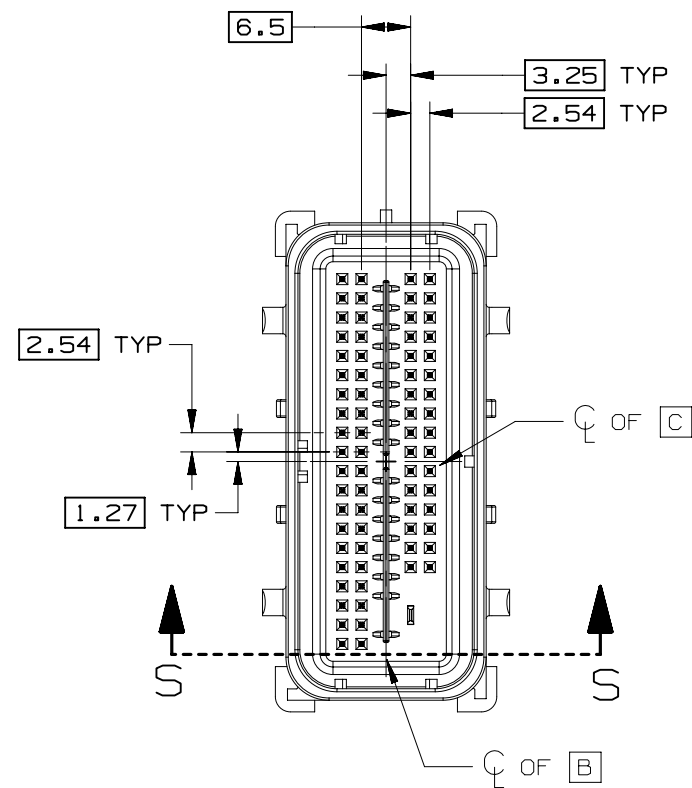
SECTION AD-AD



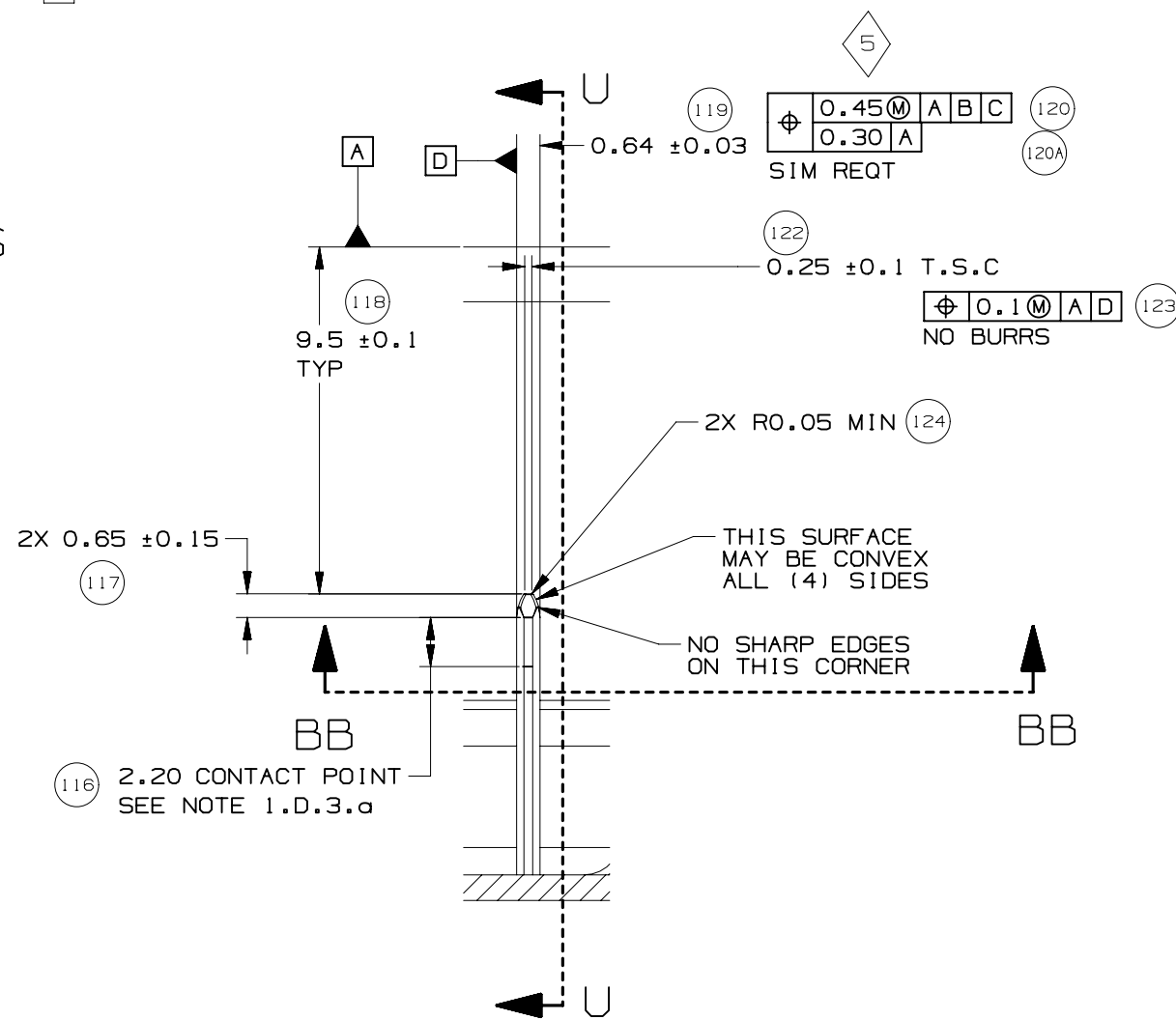


SECTION P-P

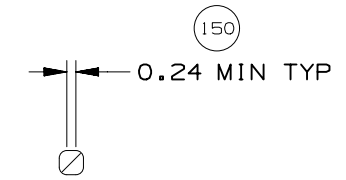




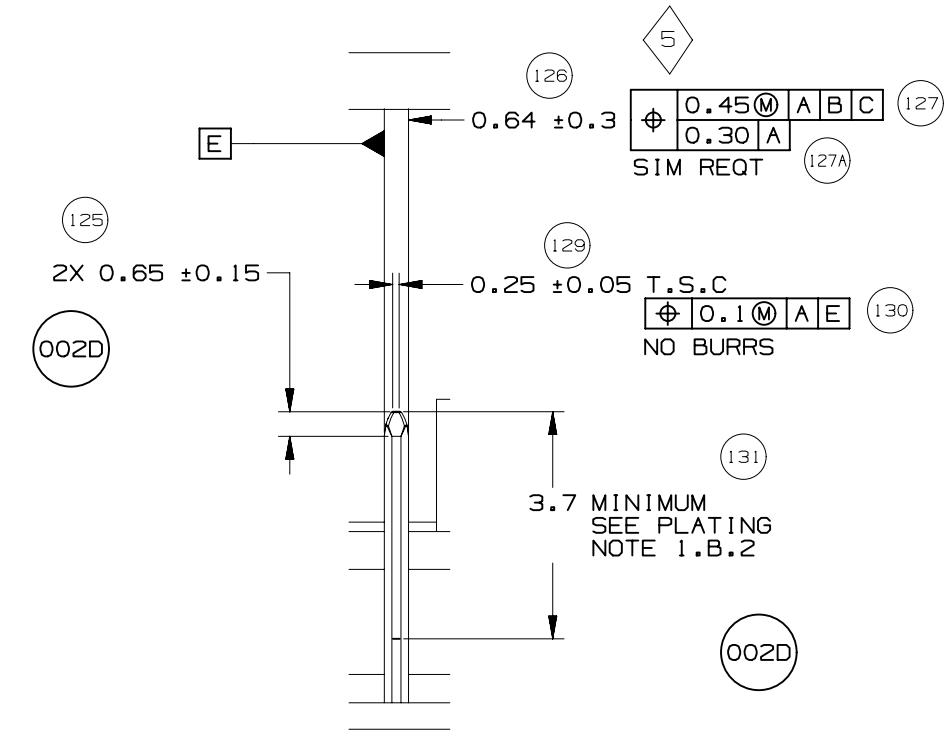
SECTION S-S



DETAIL T
TYPICAL
SCALE 5:1



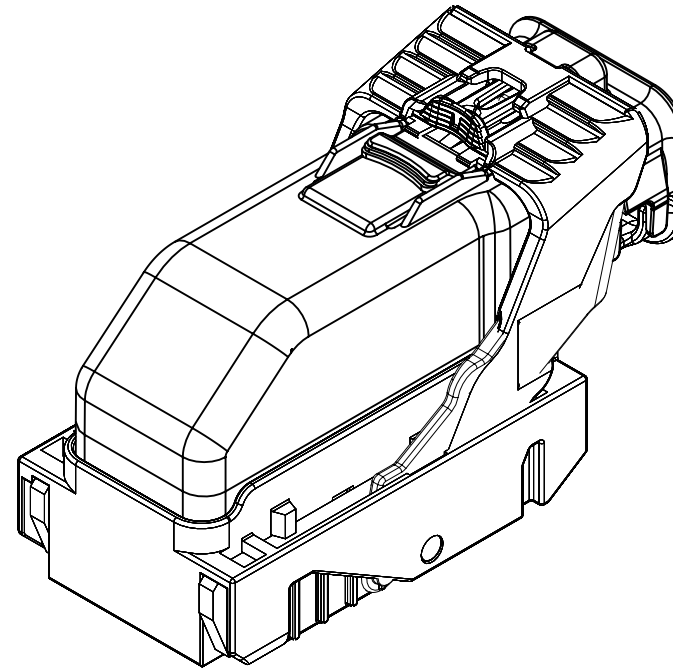
SECTION BB-BB




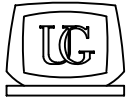
SECTION U-U



INDEX	
PAGE TITLE	PAGE
TITLE BLOCK	1
REVISION BLOCK	2
PART BLOCK	3
KPC BLOCK	4
COMPONENT TABLE	5
NOTES	6
NOTES	7
WIRE DRESS PACKAGING DIMENSIONS	8
LOCATION AND PACKAGING DIMENSIONS REFERENCING INTERFACE DATUMS B & C	9
LOCATION AND PACKAGING DIMENSIONS REFERENCING INTERFACE DATUM A	10
KEY ID REF - WIRE DRESS OPTION 0	11
KEY ID REF - WIRE DRESS OPTION 9	12
CIRCUIT CONFIGURATIONS	13
CIRCUIT CONFIGURATIONS	14
COMPONENT CONNECTOR INTERFACE	15
COMPONENT CONNECTOR INTERFACE	16
COMPONENT CONNECTOR INTERFACE	17
COMPONENT CONNECTOR INTERFACE	18
COMPONENT CONNECTOR INTERFACE	19
COMPONENT CONNECTOR INTERFACE	20
COMPONENT CONNECTOR INTERFACE	21




ISO VIEW

	<p>UNLESS OTHERWISE SPECIFIED: THIS DOCUMENT IS IN ACCORDANCE WITH ASME Y14.5M-1994 AS AMMENDED BY THE GM GLOBAL DIMENSIONING AND TOLERANCING ADDENDUM-1997. ALL GEOMETRIC TOLERANCES AND RELATED DATUMS APPLY RFS. RULE #1 (PERFECT FORM AT MMC) DOES NOT APPLY WHEN A RELATIONSHIP BETWEEN FEATURES IS ESTABLISHED BY ORIENTATION OR LOCATION TOLERANCES. SEPARATE POSITION CALLOUTS MAY BE GAGED SEPARATELY REGARDLESS OF DATUM REFERENCES.</p>			DATE						
	 CHANGE RESTRICTED NO MANUAL CHANGES	REFERENCE 12H (MOLEX AUTOMOTIVE)	DRAFTER J SZYMKOWSKI APVD1 D PFAFFINGER APVD2 B BURT APVD3 APVD4 APVD5	22DE05 22DE05 22DE05 						
DO NOT SCALE	DRAWING NAME HARNESS CONN ASM 66/73/80 CKTS									
METRIC DIMENSIONS SHOWN IN MILLIMETERS UNLESS OTHERWISE SPECIFIED	DRAWING NUMBER 12642695		DWG STATUS <table border="1"> <tr> <th>ST</th> <th>REV</th> <th>PD1</th> </tr> <tr> <td>R</td> <td>002</td> <td></td> </tr> </table>		ST	REV	PD1	R	002	
ST	REV	PD1								
R	002									
			PAGE NUMBER 1 OF 21							

PAGE	DWG STATUS					REVISION HISTORY	AUTH	DR	CK	ENG
	DATE	ST	REV	CHG	PDI					
	19DE11	R	001			RELEASED TO PRODUCTION AT DLS A	CRMRJB	SC	MRO	GF
3	08MY15	R	002	A		REORDERED PART BLOCK AND ADDED MASS CORRECTED P/N TYPO FROM 12562676 TO 12582676				
3, 5		R	002	B		ADDED 12659312, 12659313, 12653574 AND 12653575				
6		R	002	C		REMOVED NOTE 1 . D . 3 . C				
20		R	002	D		DIM 125 WAS 3.25 DIM 131 WAS 5.5	CRMRJD	DFK	MRO	GF

PAGE	DWG STATUS					REVISION HISTORY	AUTH	DR	CK	ENG
	DATE	ST	REV	CHG	PDI					

	PAGE TITLE	DRAWING NUMBER	DWG STATUS			PAGE NUMBER	
	REVISION BLOCK		12642695	ST	REV	PDI	2 OF 21
				R	002		

KEY PRODUCT CHARACTERISTICS
(IN ACCORDANCE WITH QN 1805 OR ON 1050)



SAFETY/COMPLIANCE

TOTAL ON
DRAWING

5



FIT/FUNCTION

LAST NO.
USED

5

NO	TYPE	DESCRIPTION	RATIONALE	PAGE/ZONE
1	F/F	32.68	IMPROVE CONNECTOR SYSTEM MATING	15
2	F/F	29.00	INSURE PROPER RELEASE OF LEVER	15
3	F/F	15.25	INSURE FINAL MATE POSITION	16
5	F/F	POSITIONAL TOLERANCE (2 PLACES)	INSURE CONNECTOR SYSTEM MATEABILITY	19



PAGE TITLE
KPC BLOCK

DRAWING NUMBER

12642695

DWG STATUS

ST	REV	PD1
----	-----	-----

R	002	
---	-----	--

PAGE NUMBER

4 OF 21

LINE	MFG.	MFG. P/N	GM P/N	EFFECTIVE DATE	APPLICABLE COMPONENTS	KEY OPTION	WIRE DRESS OPTION	KEY CONFIG.	COLOR	STATUS
					DESCRIPTION					
-										
1	MOLEX	34565-0003	12582676	02JN03	MX123 DRESS COVER 66/73/80 CKT	N/A	N/A	N/A	BLACK	AVAILABLE
2	MOLEX	34822-0013	12642692	01SP13	MX123 HRNS CONN ASSY 66 CKT	A	0	1458	BLACK	AVAILABLE
3	MOLEX	34822-0033	12659312	01SP13	MX123 HRNS CONN ASSY 66 CKT	C	0	2467	BLUE	AVAILABLE
4	MOLEX	34822-0023	12642693	01SP13	MX123 HRNS CONN ASSY 66 CKT	A	9	1458	BLACK	AVAILABLE
5	MOLEX	34822-0043	12659313	01SP13	MX123 HRNS CONN ASSY 66 CKT	C	9	2467	BLUE	AVAILABLE
6	MOLEX	34566-0103	12582677	11JN04	MX123 HRNS CONN ASSY 73 CKT	A	0	1458	BLACK	AVAILABLE
7	MOLEX	34566-0203	12582678	11JN04	MX123 HRNS CONN ASSY 73 CKT	B	0	1468	ST GRAY	AVAILABLE
8	MOLEX	34566-0303	12615654	09AP08	MX123 HRNS CONN ASSY 73 CKT	C	0	2467	BLUE	AVAILABLE
9	MOLEX	34566-0403	12647268	T.B.D	MX123 HRNS CONN ASSY 73 CKT	D	0	2367	BROWN	NOT ACTIVE
10	MOLEX	34566-0503	AMJ28633	T.B.D	MX123 HRNS CONN ASSY 73 CKT	E	0	2468	GREEN	NOT ACTIVE
11	MOLEX	34566-0603	12653574	05DC14	MX123 HRNS CONN ASSY 73 CKT	F	0	1357	NATURAL	AVAILABLE
12	MOLEX	34566-0703	12588057	09AP08	MX123 HRNS CONN ASSY 80 CKT	G	0	1358	BLUE	AVAILABLE
13	MOLEX	34566-0803	12588058	11JN04	MX123 HRNS CONN ASSY 80 CKT	H	0	2458	ST GRAY	AVAILABLE
14	MOLEX	34566-0903	12615656	T.B.D	MX123 HRNS CONN ASSY 80 CKT	J	0	2457	BLACK	NOT ACTIVE
15	MOLEX	34566-1003	AMJ28595	T.B.D	MX123 HRNS CONN ASSY 80 CKT	K	0	2357	BROWN	NOT ACTIVE
16	MOLEX	34566-1103	AMJ29057	T.B.D	MX123 HRNS CONN ASSY 80 CKT	L	0	2368	GREEN	NOT ACTIVE
17	MOLEX	34566-1203	AMJ28669	T.B.D	MX123 HRNS CONN ASSY 80 CKT	M	0	2358	NATURAL	NOT ACTIVE
18	MOLEX	34566-1303	12603596	11JN04	MX123 HRNS CONN ASSY 73 CKT	A	9	1458	BLACK	AVAILABLE
19	MOLEX	34566-1403	12603597	11JN04	MX123 HRNS CONN ASSY 73 CKT	B	9	1468	ST GRAY	AVAILABLE
20	MOLEX	34566-1503	12615655	09AP08	MX123 HRNS CONN ASSY 73 CKT	C	9	2467	BLUE	AVAILABLE
21	MOLEX	34566-1603	12647269	T.B.D	MX123 HRNS CONN ASSY 73 CKT	D	9	2367	BROWN	NOT ACTIVE
22	MOLEX	34566-1703	AMJ28698	T.B.D	MX123 HRNS CONN ASSY 73 CKT	E	9	2468	GREEN	NOT ACTIVE
23	MOLEX	34566-1803	12653575	05DC14	MX123 HRNS CONN ASSY 73 CKT	F	9	1357	NATURAL	AVAILABLE
24	MOLEX	34566-1903	12603598	09AP08	MX123 HRNS CONN ASSY 80 CKT	G	9	1358	BLUE	AVAILABLE
25	MOLEX	34566-2003	12603599	11JN04	MX123 HRNS CONN ASSY 80 CKT	H	9	2458	ST GRAY	AVAILABLE
26	MOLEX	34566-2103	12615657	T.B.D	MX123 HRNS CONN ASSY 80 CKT	J	9	2457	BLACK	NOT ACTIVE
27	MOLEX	34566-2203	AMJ29117	T.B.D	MX123 HRNS CONN ASSY 80 CKT	K	9	2357	BROWN	NOT ACTIVE
28	MOLEX	34566-2303	AMJ29136	T.B.D	MX123 HRNS CONN ASSY 80 CKT	L	9	2368	GREEN	NOT ACTIVE
29	MOLEX	34566-2403	AMJ29214	T.B.D	MX123 HRNS CONN ASSY 80 CKT	M	9	2358	NATURAL	NOT ACTIVE
30	MOLEX	34736-2002	12642697	01AU10	MX64 RCPT TERM Ag 18/20 GAGE B (RIGHT PAYOFF)	N/A	N/A	N/A	N/A	AVAILABLE
31	MOLEX	34736-2001	12642696	01AU10	MX64 RCPT TERM Ag 22 GAGE B (RIGHT PAYOFF)	N/A	N/A	N/A	N/A	AVAILABLE
32	MOLEX	34586-0001	T.B.D.	11JN04	MX123 0.64MM GROMMET PLUG	N/A	N/A	N/A	NATURAL	AVAILABLE
33	YAZAKI	7116-4150-02	12588066	02JN03	2.8mm YESC SEALED FEMALE TERMINAL TIN 20/22 GAGE (CABLE RANGE 0.30mm-0.60mm)	N/A	N/A	N/A	N/A	NOT ACTIVE
34	YAZAKI	7116-4151-02	12588067	02JN03	2.8mm YESC SEALED FEMALE TERMINAL TIN 16/18 GAGE (CABLE RANGE 0.75mm-1.40mm)	N/A	N/A	N/A	N/A	NOT ACTIVE
35	YAZAKI	7116-4152-02	12582685	02JN03	2.8mm YESC SEALED FEMALE TERMINAL TIN 14 GAGE (CABLE RANGE 1.50mm-2.50mm)	N/A	N/A	N/A	N/A	AVAILABLE
36	YAZAKI	7158-3111-60	12588068	02JN03	2.8mm CABLE SEAL (wire O.D. range 1.20mm-1.90mm)	N/A	N/A	N/A	GREEN	NOT ACTIVE
37	YAZAKI	7158-3112-70	12588069	02JN03	2.8mm CABLE SEAL (wire O.D. range 1.80mm-2.30mm)	N/A	N/A	N/A	YELLOW	NOT ACTIVE
38	YAZAKI	7158-3113-40	12582686	02JN03	2.8mm CABLE SEAL (wire O.D. range 2.18mm-3.00mm)	N/A	N/A	N/A	WHITE	AVAILABLE
39	YAZAKI	7158-3114-90	T.B.D	02JN03	2.8mm YESC CAVITY PLUG	N/A	N/A	N/A	BLUE	AVAILABLE
40	MOLEX	63811-4200	XX019825	02JN03	MX64 TERM HAND CRIMP TOOL	N/A	N/A	N/A	N/A	AVAILABLE
41	MOLEX	63813-1400	XX019826	02JN03	MX64 TERM SERVICE TOOL	N/A	N/A	N/A	N/A	AVAILABLE
42	MOLEX	63865-8000	XX019827	02JN03	MX64 CRIMP APPLICATOR with TOOL KIT 18/20 GAGE PAYOFF DIRECTION D (left payoff) (contact Molex for payoff detail)	N/A	N/A	N/A	N/A	AVAILABLE
43	MOLEX	63865-8070	XX019828	02JN03	MX64 APPLICATOR TOOL KIT 18/20 GAGE	N/A	N/A	N/A	N/A	AVAILABLE
44	MOLEX	63865-8100	XX019829	02JN03	MX64 CRIMP APPLICATOR with TOOL KIT 22 GAGE PAYOFF DIRECTION D (left payoff) (contact Molex for payoff detail)	N/A	N/A	N/A	N/A	AVAILABLE
45	MOLEX	63865-8170	XX019830	02JN03	MX64 APPLICATOR TOOL KIT 22 GAGE	N/A	N/A	N/A	N/A	AVAILABLE
46	SPX	J35616-64	T.B.D.	02JN03	0.64mm PROBE TOOL (for rcpt)	N/A	N/A	N/A	N/A	AVAILABLE
47	SPX	J35616-64A	T.B.D.	02JN03	0.64mm PROBE TOOL WITH EXT (for rcpt)	N/A	N/A	N/A	N/A	AVAILABLE
48	SPX	J35616-65	T.B.D.	02JN03	0.64mm PROBE TOOL WITH EXT (for pin)	N/A	N/A	N/A	N/A	AVAILABLE
49	SPX	J35616-4A	T.B.D.	02JN03	2.8mm PROBE TOOL (for rcpt)	N/A	N/A	N/A	N/A	AVAILABLE
50	YAZAKI	X39899-J374	12094430	02JN03	2.8mm TERM SERVICE TOOL	N/A	N/A	N/A	N/A	AVAILABLE

002B

* - MX123 DRESS COVER 73/80/66 CKT MATES TO ANY MX123 HARN CONN ASSY SHOWN ON TABLE ABOVE



PAGE TITLE
COMPONENT TABLE

DRAWING NUMBER

12642695

DWG STATUS

ST REV PDI

R 002

PAGE NUMBER

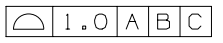
5 OF 21

NOTES: UNLESS OTHERWISE SPECIFIED

1. MATERIAL FOR INTERFACE:

- A. RESIN:
 - 1. 30% G.F. PBT; 20% MAX. (BY WEIGHT) REGRIND.
 - 2. MATING CONNECTOR INTERFACE PART COLOR MUST BE SAME AS MATCHING KEYED HARNESS CONNECTOR ASSEMBLY.
 - 3. MUST BE VALIDATED FOR INDIVIDUAL DEVICE APPLICATION REQUIREMENTS.
- B. 0.64MM PINS:
 - 1. BASE MATERIAL: COPPER ALLOY; CONDUCTIVITY >= 28% IACS AT 20°C; TENSILE STRENGTH >= 635 N/mm²; SURFACE ROUGHNESS R_a 6 MAX.
 - 2. PLATING FINISH: SILVER (Ag). PLATING TO BE 1.9-3.3 μm ELECTRODEPOSITED SEMI-BRIGHT SILVER OVER 1.25-2.25 μm DUCTILE SULPHAMATE NICKEL PER NOTE 1(D).
 - 3. ANTI-TARNISH: SYNTHETIC HYDROCARBON CONTACT SURFACE FINISH OR EQUIVALENT APPLIED WITHOUT VOID TO CONTACT AREA (MIN 3.7mm FROM PIN TIP).
- C. 2.8MM BLADE:
 - 1. BASE MATERIAL: COPPER ALLOY; CONDUCTIVITY >= 28% IACS AT 20°C; TENSILE STRENGTH >= 350 N/mm²; SURFACE ROUGHNESS R_a 6 MAX.
 - 2. PLATING FINISH: TIN. PLATING TO BE 2.5-5.0 μm ELECTRODEPOSITED TIN, MATTE FINISH OVER 1.25-2.5 μm DUCTILE SULPHAMATE NICKEL PER NOTE 1(D).
- D. PLATING REQUIREMENTS:
 - 1. SILVER PLATING
 - a. 99.5% PURE SEMI-BRIGHT WITH NO ORGANIC BRIGHTNERS OR CHROMATES.
 - 2. NICKEL PLATING
 - a. ELECTRODEPOSITED DUCTILE SULFAMATE NICKEL WITH A NON-BRIGHTENED FINISH. NO ORGANIC OR BRIGHTENING AGENTS SHALL BE ALLOWED.
 - b. SHALL ONLY BE USED AS AN UNDERLYING PLATING AND MAY NOT BE USED AS AN ELECTRICAL CONTACT SURFACE PLATING.
 - c. SHALL BE NODULE FREE WHEN VIEWED AT 10X MAGNIFICATION IN MEASURED IN CONTACT SURFACE AREA PLUS 0.5MM PERIMETER AROUND THE CONTACT SURFACE AREA.
 - d. ALL PLATINGS SHALL HAVE A 1.0% MAXIMUM BY WEIGHT IMPURITIES. IMPURITIES ARE DEFINED AS ALL ELEMENTS NOT THE PRIMARY PLATING OR HARDENING AGENT IF APPLICABLE, AS DETERMINED BY WET CHEMICAL ANALYSIS OR AUGER METHOD. NO SINGLE IMPURITY SHALL EXCEED 0.1% MAXIMUM BY WEIGHT.
 - 3. TESTING
 - a. THICKNESS TO BE MEASURED IN CONTACT SURFACE AREA PLUS 0.5MM PERIMETER AROUND THE CONTACT SURFACE AREA AS DESIGNATED IN THE DRAWING. THICKNESS SHALL BE DETERMINED BY METHOD OF X-RAY (XRF).
 - b. PLATING ADHESION SHALL BE TESTED BY A BEND TEST FOR ALL METALS. THE TEST SAMPLE SHALL BE BENT 90 DEGREES TO DETERMINE DEPOSIT ADHESION. TESTING SHALL BE COMPLETED IN ACCORDANCE WITH ASTM SPEC B571.


2. DESIGN - GENERAL:

- A. THIS IS A 100% CAD GENERATED PART. THE CAD MATHEMATICAL DATA IS THE MASTER FOR THIS PART. FOR DIMENSIONAL OR ANY INFORMATION NOT SHOWN ON THIS DRAWING, ANALYZE THE CAD MODEL.
- B. TOLERANCES:
 - 1. LINEAR
 - 0.X ± 0.30
 - 0.XX ± 0.10
 - 0.XXX ± 0.10
 - 2. ANGULAR X° ± 3°
 - 3. 
- C. MINIMUM WALL THICKNESS REQUIRED: 1.3mm.
- D. CORNERS SHOWN AS SHARP TO BE R 0.2 MAX.
- E. LETTERING SHALL BE 0.15 MAX RAISED IN 0.20 MAX RECESS PAD. THIS INCLUDES MATERIAL CODE, RECYCLING CODE, CAVITY ID AND DATE CODE.
- F-1. PARTS MUST BE FREE OF DISCOLORATION, SALT RESIDUE AND OTHER IMPERFECTIONS THAT AFFECT FIT OR FUNCTION.
- F-2. SCRATCHES OR DENTS NOT TO EXCEED 0.013mm IN DEPTH.
- G. FOLLOWING PRODUCTION CODES TO BE PERMANENTLY MARKED & HUMAN READABLE TO A LETTER HEIGHT OF 1.5 ± 0.5MM X 0.3 MAX DEEP
 - 1. MATERIAL #: XXXXX-XXXX
 - 2. DATE CODE: JJYY (JULIAN DAY, LAST DIGIT OF YEAR)
 - 3. INSPECTION MACHINE CODE + SERIAL #: X_XXXXX

3. DESIGN - MANUFACTURING:

- A. DRAFT TO BE WITHIN TOLERANCE.
- B. ALLOWABLE FLASH MAX 0.2 HIGH X MAX 0.13 THICK.
- C. ALLOWABLE PARTING LINE MISMATCH 0.2 MAX.
- D. EJECTOR PINS MARK TO BE FLUSH TO 0.25 MAX DEPRESSED.
- E. ALLOWABLE GATE VESTIGE FLUSH TO 0.25 MAX PROTRUSION.
- F. NO EXTERNAL MOLD RELEASE AGENT ALLOWED DURING MANUFACTURING.
- G. STEEL THAT FORMS THE INDICATED SURFACE MUST BE POLISHED WITH A DIAMOND FINISH (SPI A-2) OVER THE FULL PERIPHERY OF THE TOOL. SURFACE MUST HAVE NO MISMATCH.
- H. ANY PROCESS LUBRICANT REMAINING ON THE TERMINAL MUST NOT VARNISH OR DEGRADE IT'S ELECTRICAL PERFORMANCE UP TO A MAXIMUM CLASS AMBIENT TEMPERATURE PER SAE USCAR-2 FOR 1008 HOURS. PROCESS LUBRICANTS SHOULD BE APPROVED BY THE RESPONSIBLE ENGINEER.
- J. OPTIONAL FEATURES PROVIDED FOR AUTOMATION.
- K. PART MUST BE FREE FROM BURRS AND SHARP EDGES, WHICH MIGHT BE DETRIMENTAL TO SATISFACTORY ASSEMBLY, SAFE HANDLING OR FUNCTION OF PART.
- L. PARTS AS DELIVERED TO ASSEMBLY SHALL BE CLEAN AND FREE OF DEBRIS, RESIDUAL ABRASIVE MATERIAL AND CORROSION PRODUCTS ADVERESLY AFFECTING FUNCTION OR APPEARANCE.
- M. RESTRICTED AND REPORTABLE SUBSTANCES FOR PARTS PER GMW3059.

002C

	PAGE TITLE	DRAWING NUMBER	DWG STATUS			PAGE NUMBER	
	NOTES		12642695	ST	REV	PDI	6 OF 21
				R	002		

NOTES: UNLESS OTHERWISE SPECIFIED

4. SYSTEM REQUIREMENTS:

A. HARNESS CONNECTOR IS COMPATIBLE WITH THE FOLLOWING SAE WIRE SIZE NO'S:

- 14, MEETING SAE J1128
- 18, MEETING SAE J1128, MAX O.D. OF 2.06 MM
- 20, MEETING SAE J1128
- 22, MEETING SAE J1128, MIN O.D. OF 1.47 MM

B. CABLE TIE SPECIFICATIONS:

- 1. CABLE TIE:
 - TENSILE RATING: 220N / (50lbs) MIN
 - TIE LENGTH: 186mm MIN
 - TIE WIDTH: 4.75mm MAX
 - MATERIAL: NYLON
- 2. INSTALLATION:
 - CABLE TIE TENSION: 190N MIN
- 3. DRESSED WIRE BUNDLE PACKAGING: SEE FIG. 1

C. WHEN MATED WITH COMPONENT CONNECTOR INTERFACE AND/OR DRESS COVER, HARNESS CONNECTOR SYSTEM CONFORMS TO THE FOLLOWING:

- 1. SAE/USCAR-2, REV: 3 APRIL, 2001; CLASS 3
- 2. FIELD CORRELATED LIFE TEST, SAE/USCAR-20, NOV. 2001
- 3. GMW #3191 AUGUST 22, 2000 (DRAFT); TEMPERATURE CLASS 3, SEALING CLASS 1, VIBRATION CLASS 2
- 4. RESTRICTED AND REPORTABLE CHEMICALS PER GMW #3059, REV: D AUGUST 2002
- 5. TPA USER FORCES (FULLY POPULATED WITH TERMINALS)
 - a. REMOVAL FROM LOCK TO PRE-SET: <=120N

D. WIRE SPECIFICATIONS:

- 1. WIRE SURFACE MUST BE FREE OF SCRATCHES, GROOVES OR DENTS WHERE FUNCTIONAL

5. TERMINAL CURRENT RATINGS:

ALL TESTING DONE IN ACCORDANCE WITH USCAR-2 REV5 SECTION 5.3

A. MX64 RCPT TERM

- 1. MX64 RCPT TERM Ag 18/20 GAGE CRIMPED TO SAE WIRE SIZE NO.18 AND MATED TO MX123 0.64MM PIN: 11.3 AMPS
- 2. MX64 RCPT TERM Ag 22 GAGE CRIMPED TO SAE WIRE SIZE NO.22 AND MATED TO MX123 0.64MM PIN:8.5 AMPS

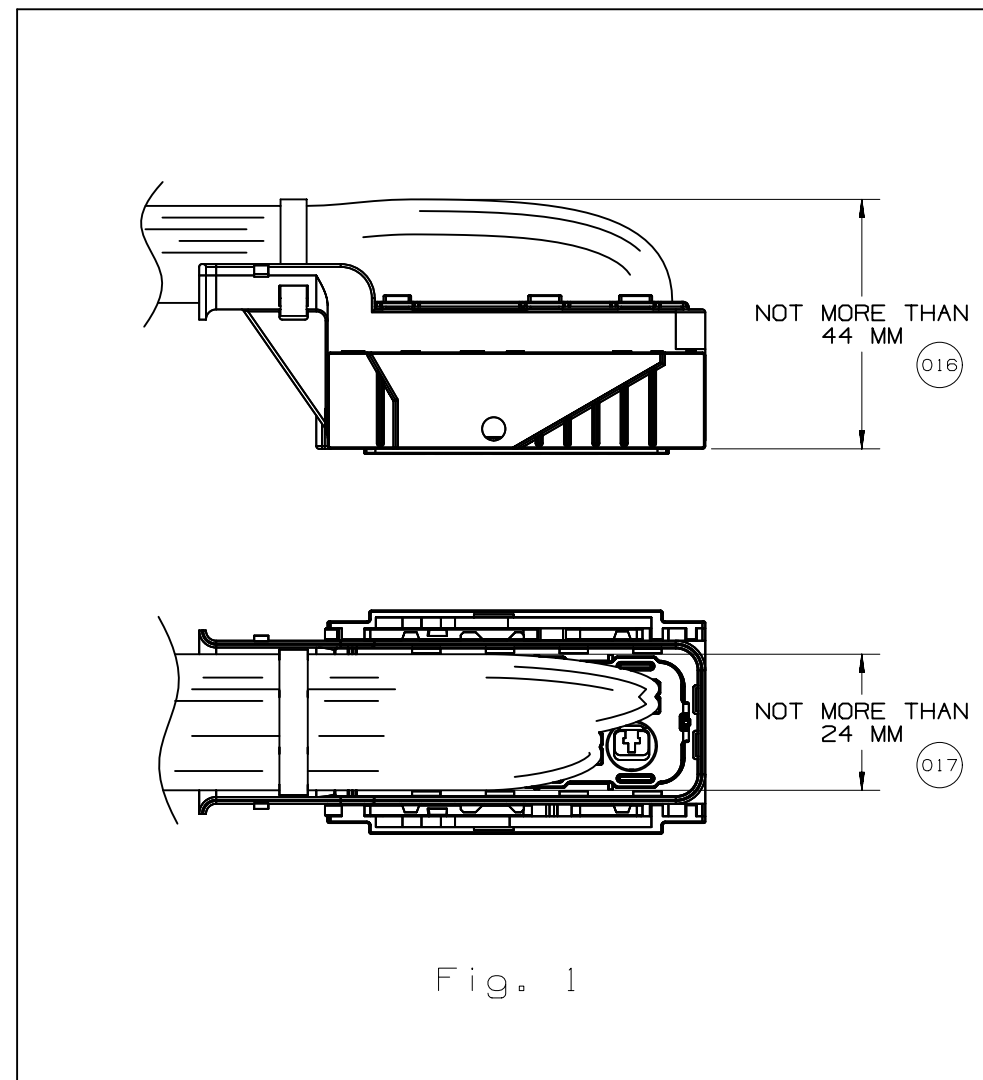
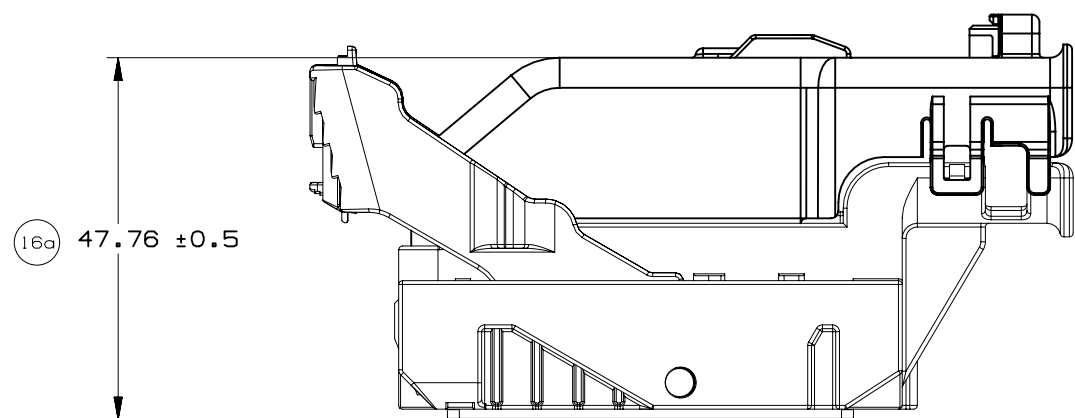
WIRE	CURRENT RATING			
	23°C	85°C	105°C	125°C
18AWG	11.3A	11.3A	9.5A	6.6A
20AWG	10.0A	10.0A	8.3A	5.7A
22AWG	8.6A	8.6A	7.1A	5.0A

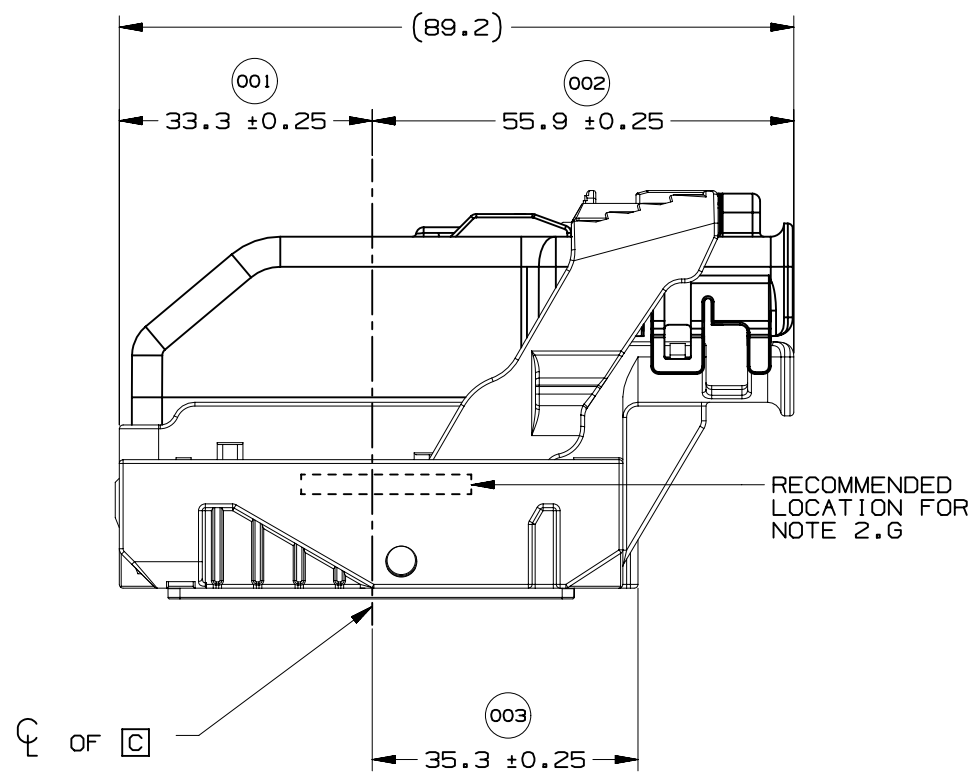
B. 2.8MM RCPT TERM

- 1. 2.8MM RCPT TERM TIN 14 GAGE CRIMPED TO SAE WIRE SIZE NO.14 AND MATED TO MX123 2.8MM BLADE: 25.6 AMPS

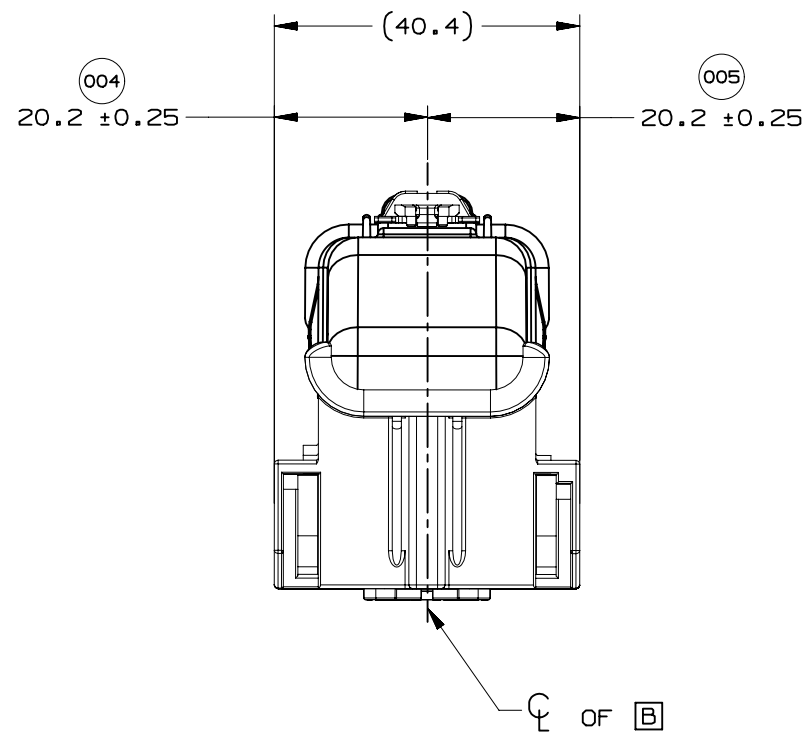
6. CONTACT MOLEX AUTOMOTIVE FOR AVAILABLE CUSTOM PATTERNS OF CAVITIES OPEN FOR CIRCUITS



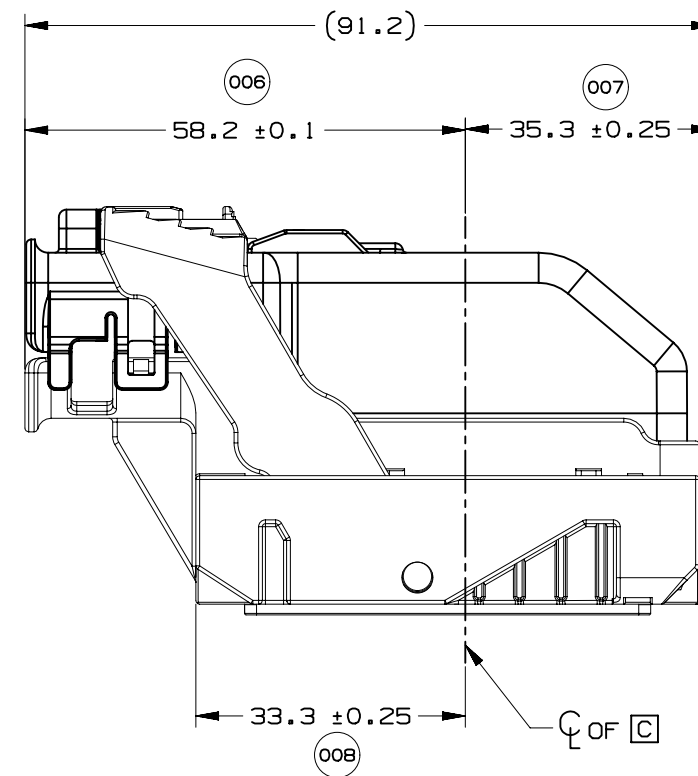




WIRE DRESS OPTION 0 SHOWN

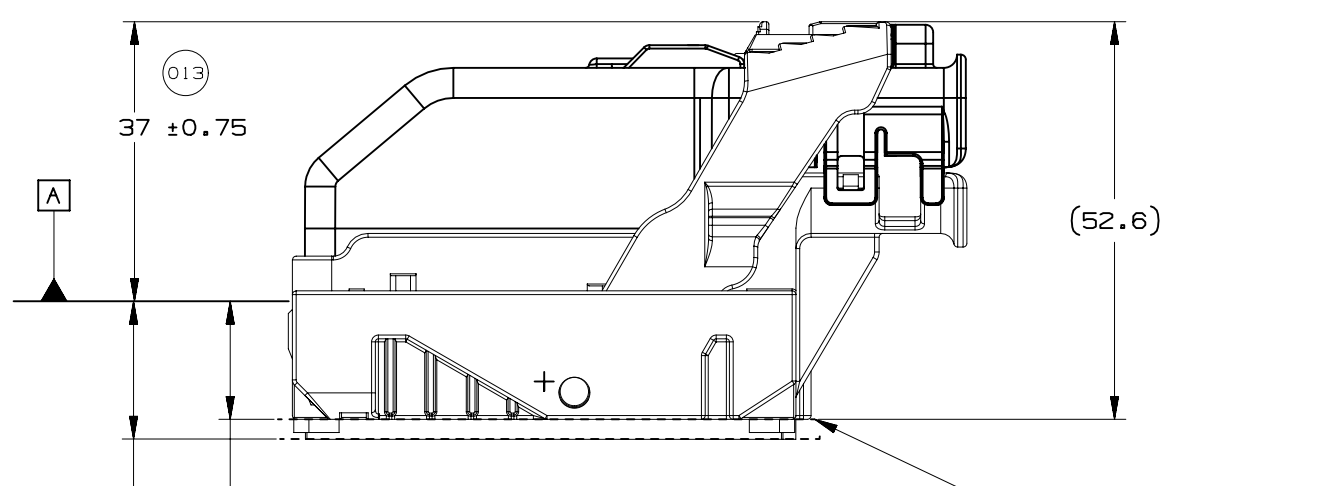
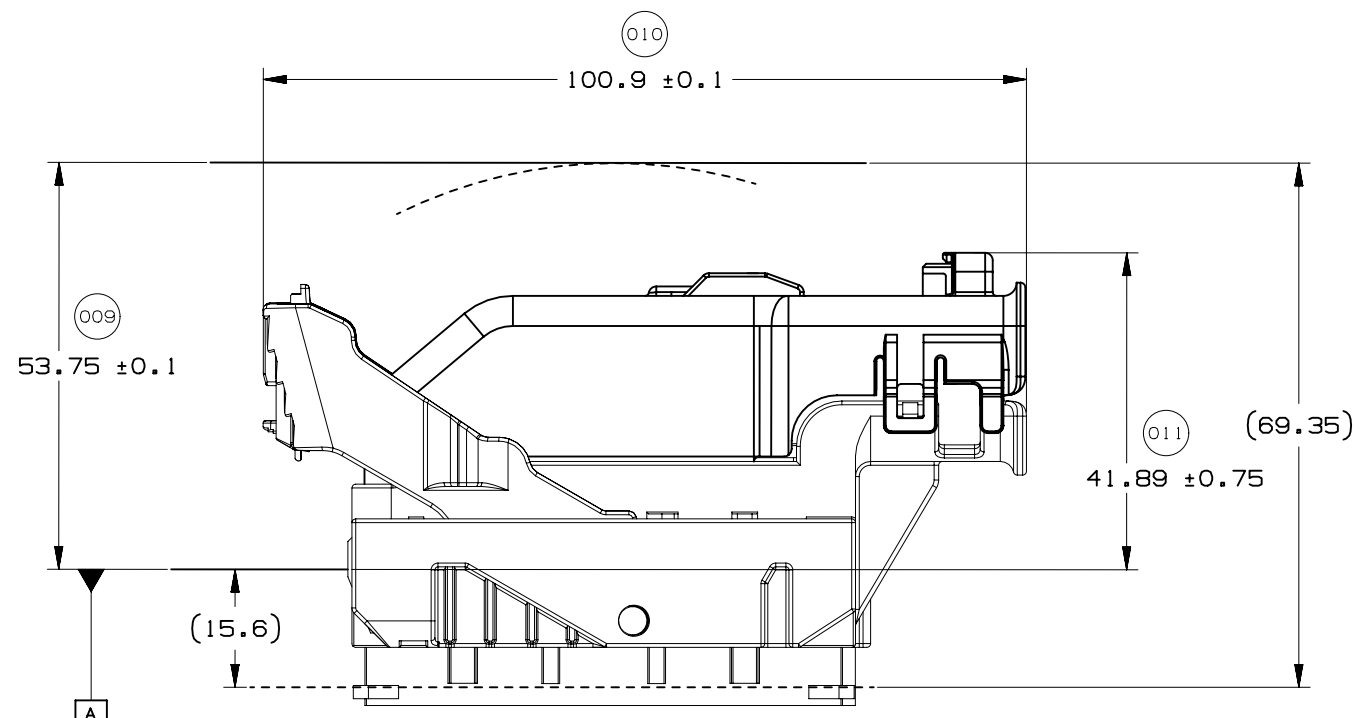
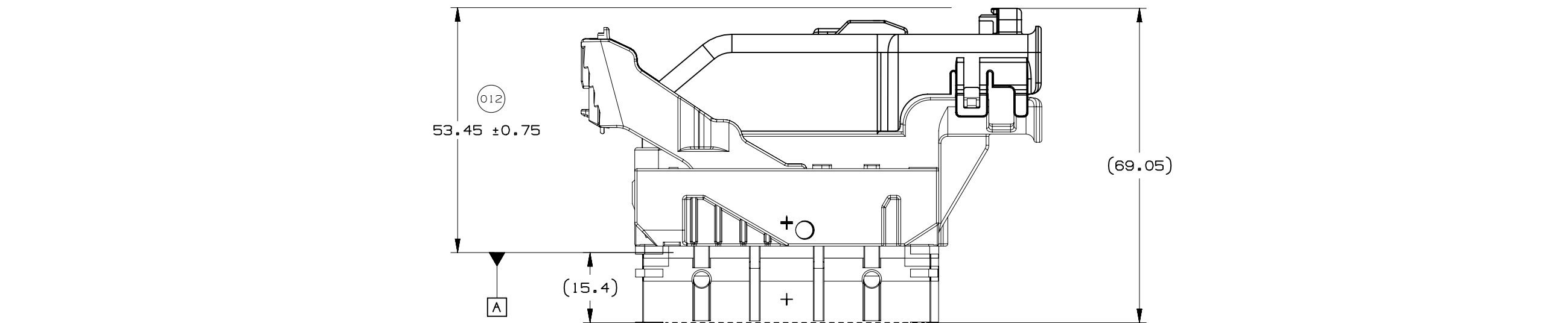


WIRE DRESS OPTION 0 SHOWN



WIRE DRESS OPTION 9 SHOWN



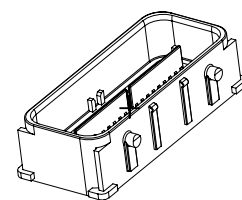
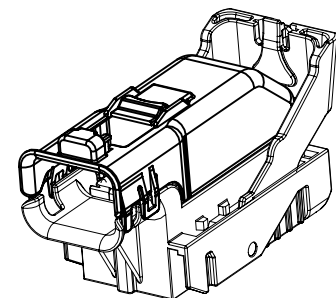
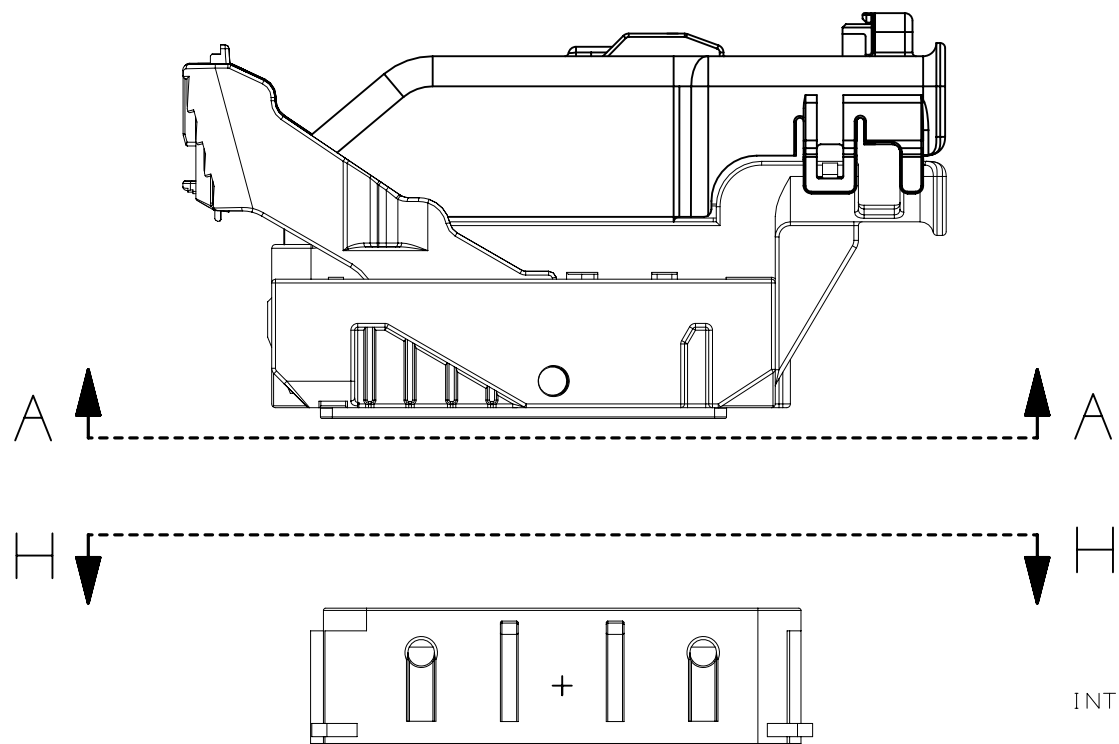


15.6 MIN. ALL AROUND CLEARANCE REQUIRED FOR HARNESS CONNECTOR

014

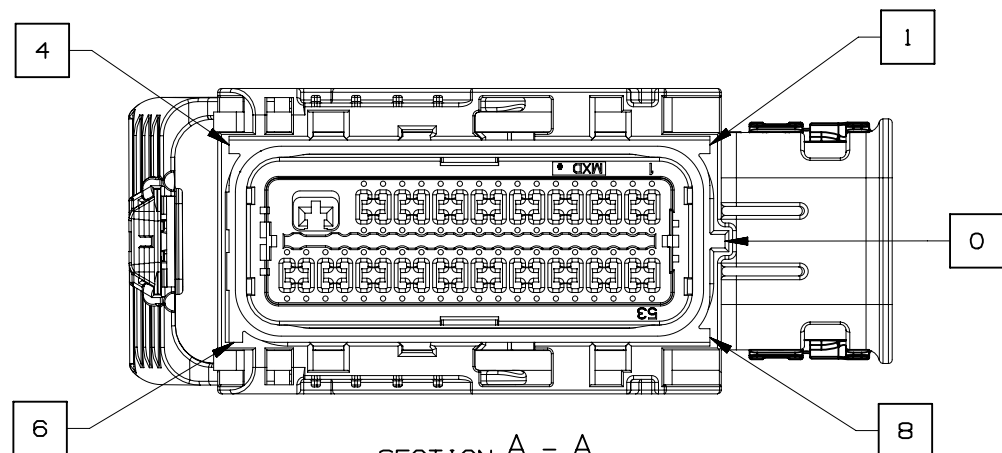
17.9 MIN. AT PAD LOCATION CLEARANCE REQUIRED FOR HARNESS CONNECTOR CONSTRUCTION BELOW THIS PLANE IS NOT CONTROLLED

015

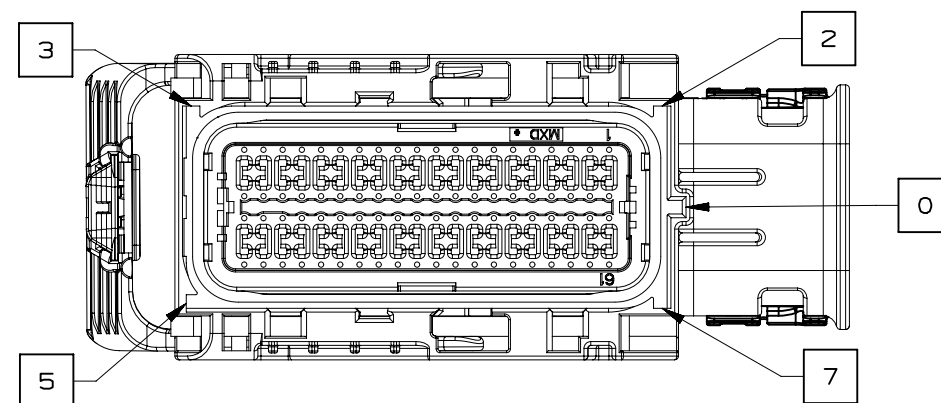


NOTE: REFERENCE THE COMPONENT TABLE FOR KEY OPTIONS AND CONFIGURATIONS

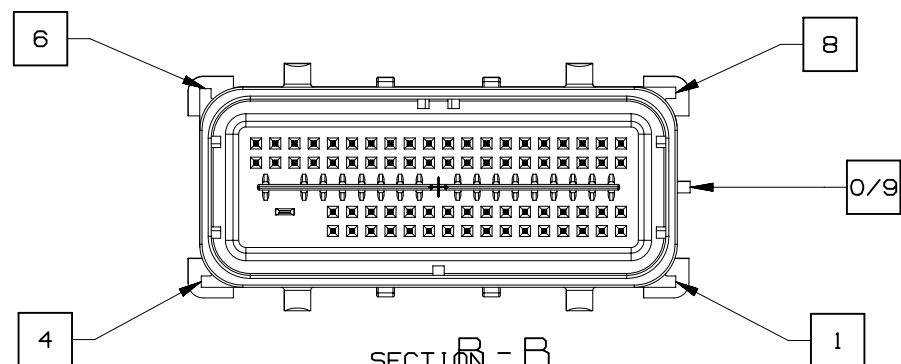
INTERFACE SIDE SHOWN ON ALL SECTION VIEWS



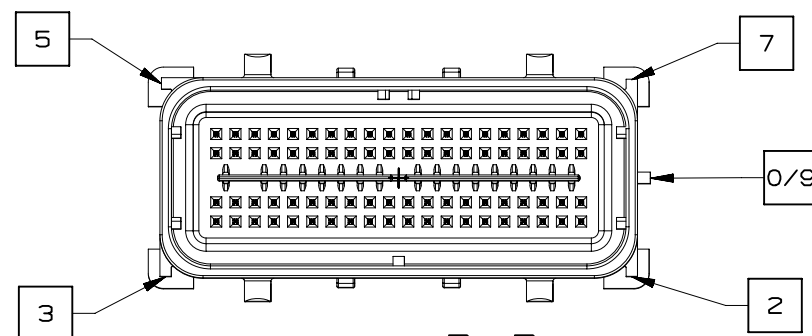
SECTION A - A
KEY OPTION B SHOWN



SECTION A - A
KEY OPTION K SHOWN



SECTION B - B
KEY OPTION B SHOWN



SECTION B - B
KEY OPTION K SHOWN

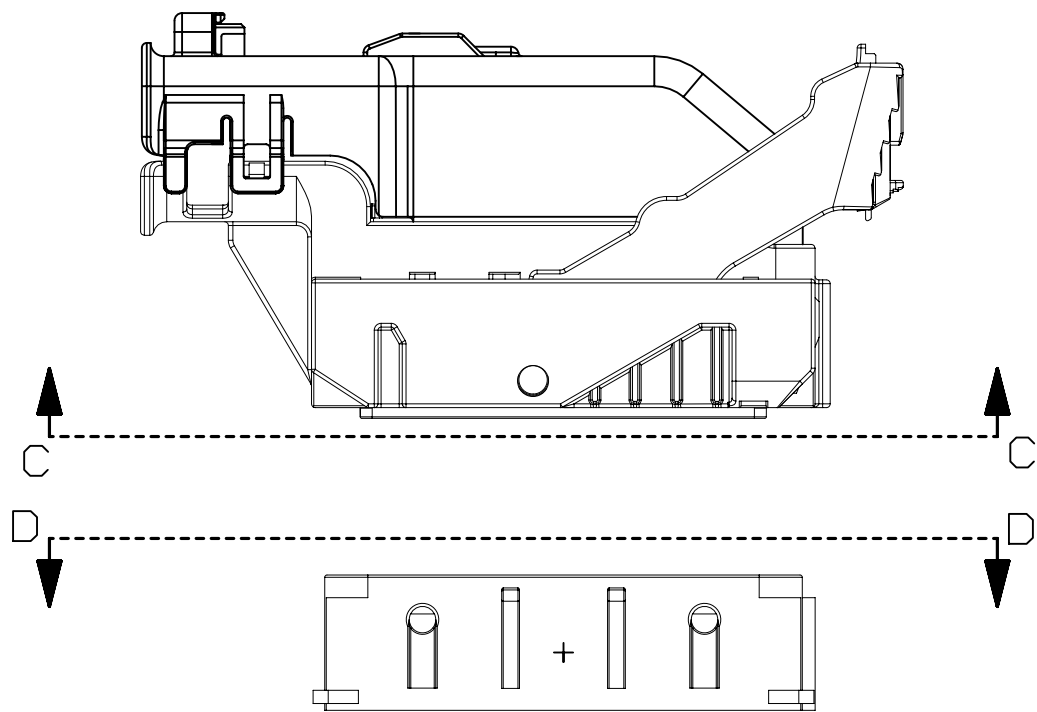


PAGE TITLE
KEY ID REF - WIRE DRESS OPTION 0

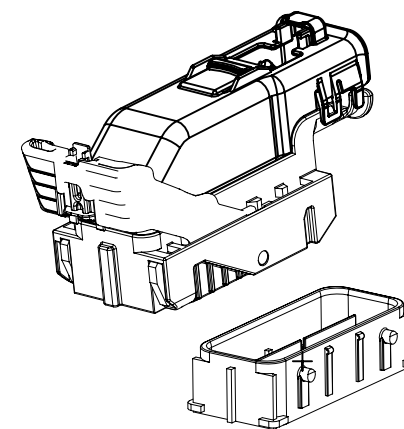
DRAWING NUMBER
12642695

DWG STATUS		
ST	REV	PD1
R	002	

PAGE NUMBER
11 OF 21

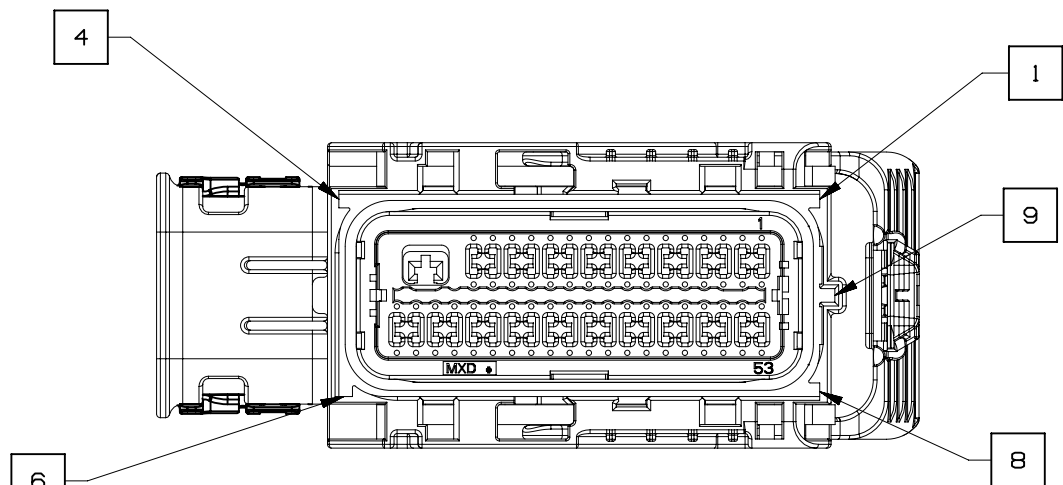


INTERFACE SIDE SHOWN ON ALL SECTION VIEWS

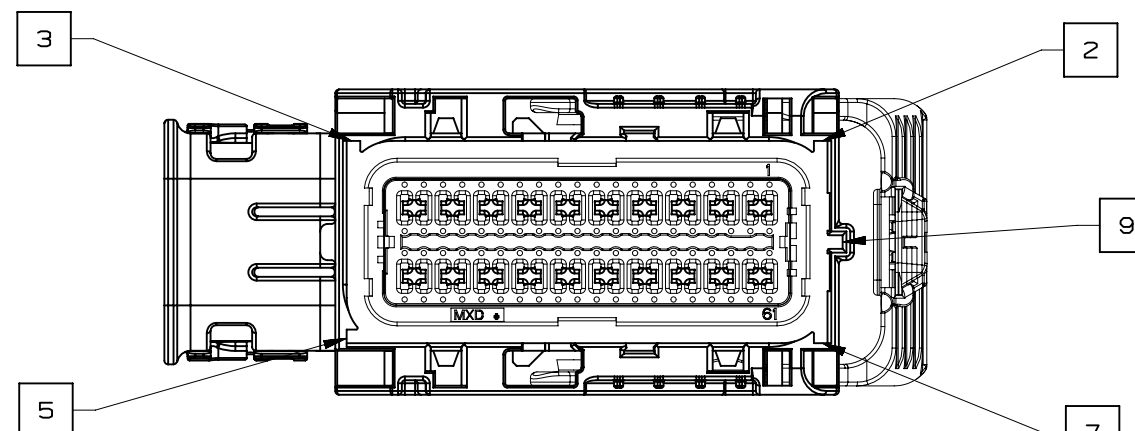


NOTE: REFERENCE THE COMPONENT TABLE FOR KEY OPTIONS AND CONFIGURATIONS

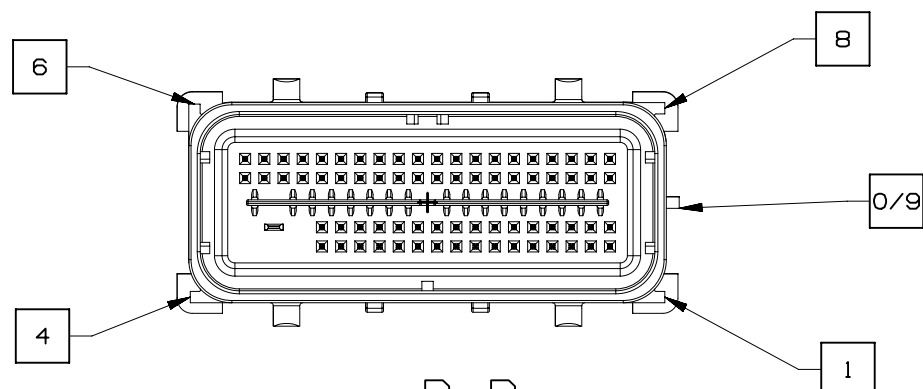
VIEW V



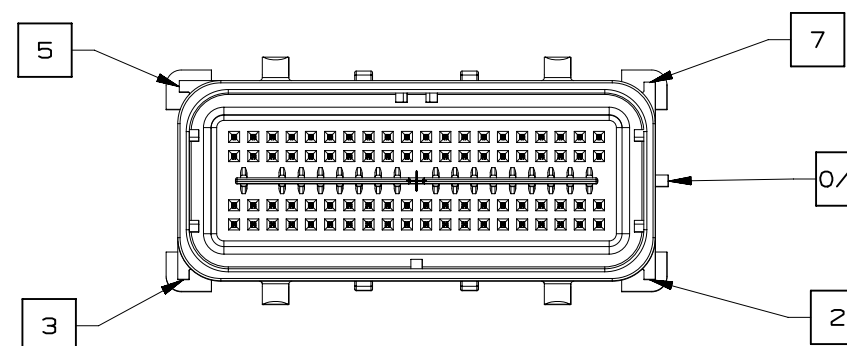
SECTION C-C
KEY OPTION B SHOWN



SECTION C-C
KEY OPTION K SHOWN



SECTION D-D
KEY OPTION B SHOWN



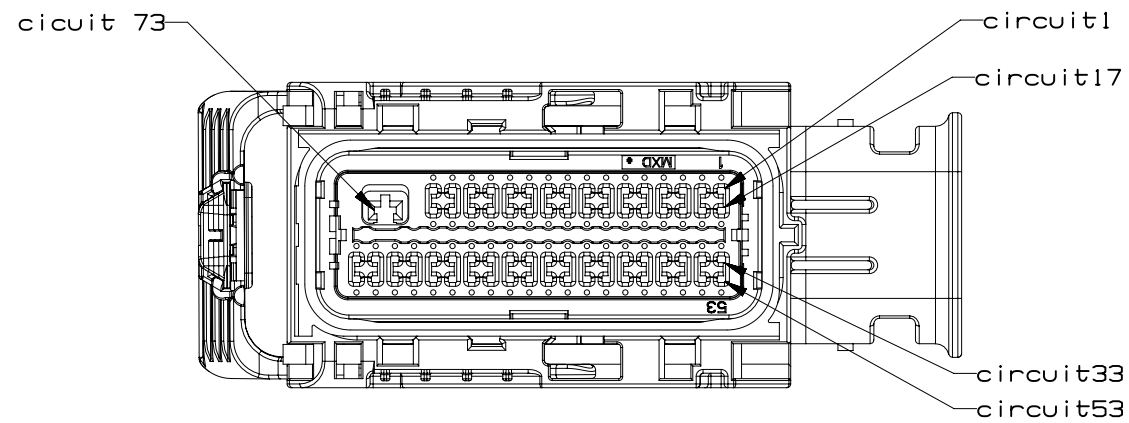
SECTION D-D
KEY OPTION K SHOWN



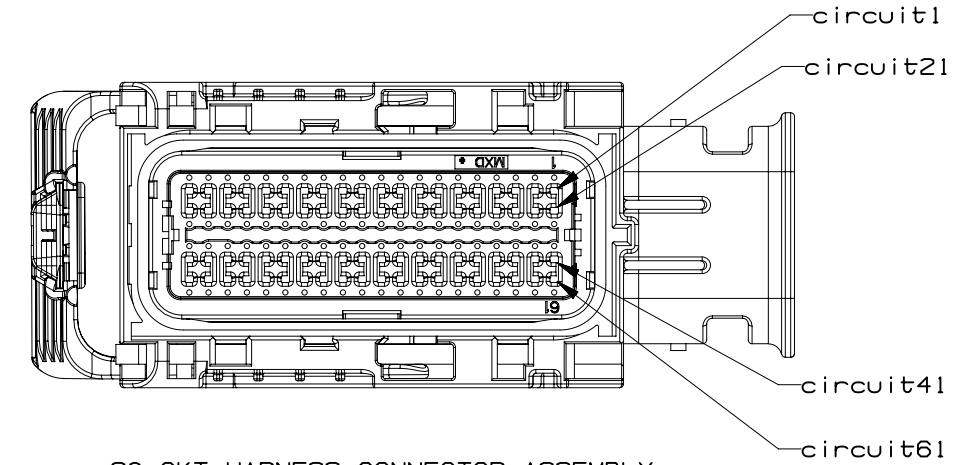
PAGE TITLE
KEY ID REF - WIRE DRESS OPTION 9

DRAWING NUMBER
12642695

DWG STATUS			PAGE NUMBER
ST	REV	PD1	
R	002		12 OF 21

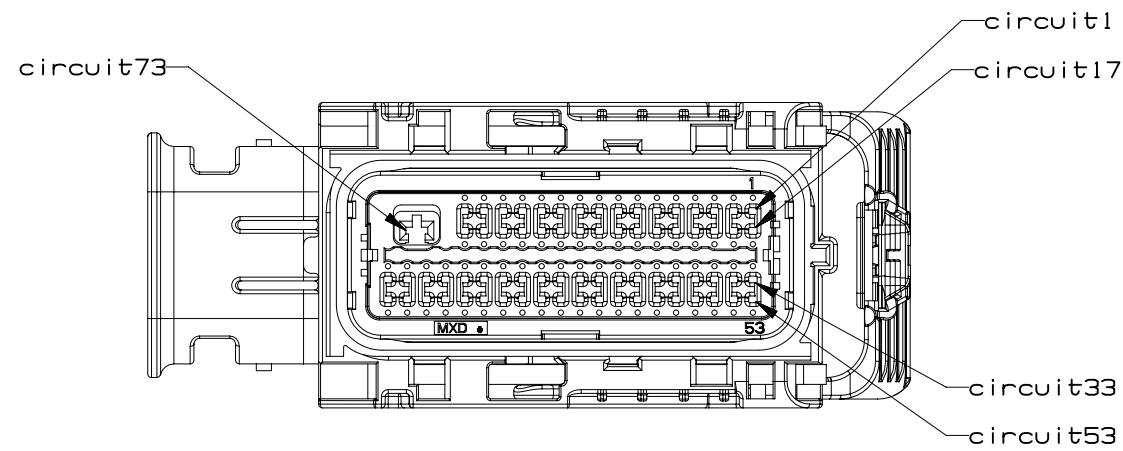


73 CKT HARNESS CONNECTOR ASSEMBLY
WIRE DRESS OPTION 0

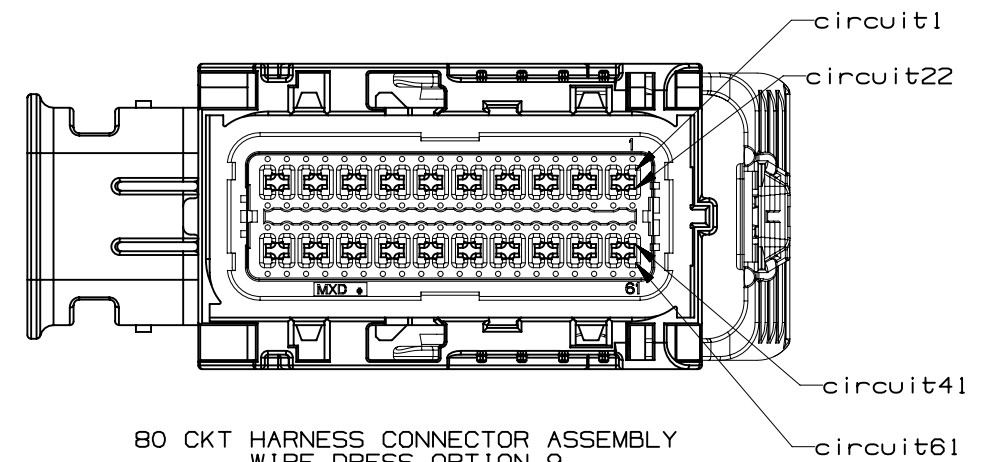


80 CKT HARNESS CONNECTOR ASSEMBLY
WIRE DRESS OPTION 0

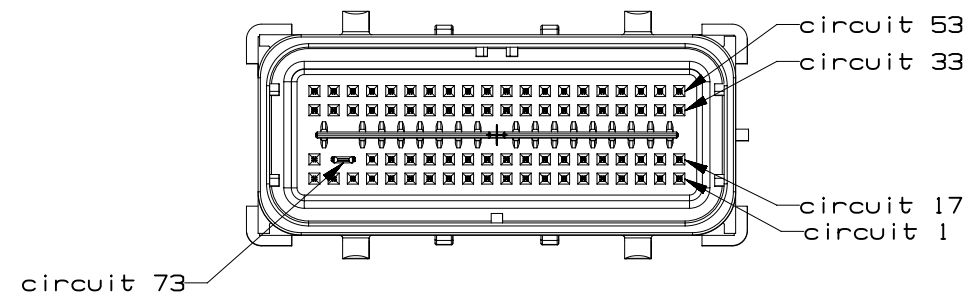
INTERFACE SIDE SHOWN ON ALL VIEWS



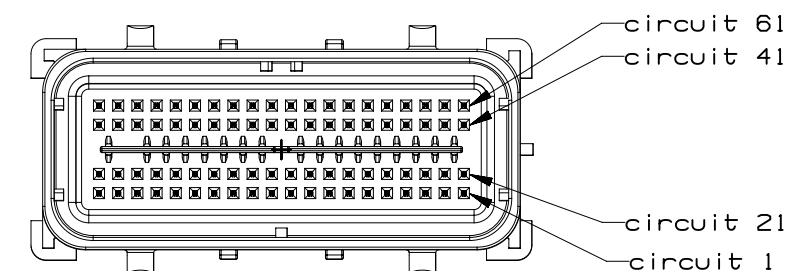
73 CKT HARNESS CONNECTOR ASSEMBLY
WIRE DRESS OPTION 9



80 CKT HARNESS CONNECTOR ASSEMBLY
WIRE DRESS OPTION 9

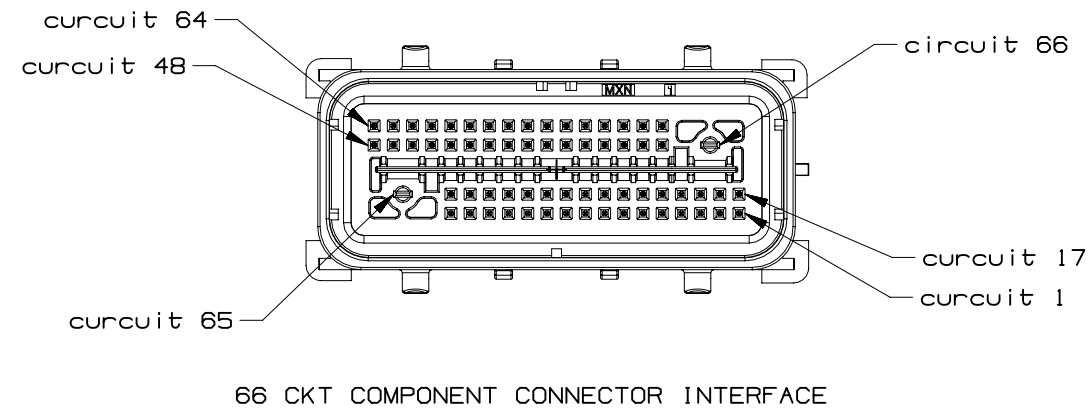
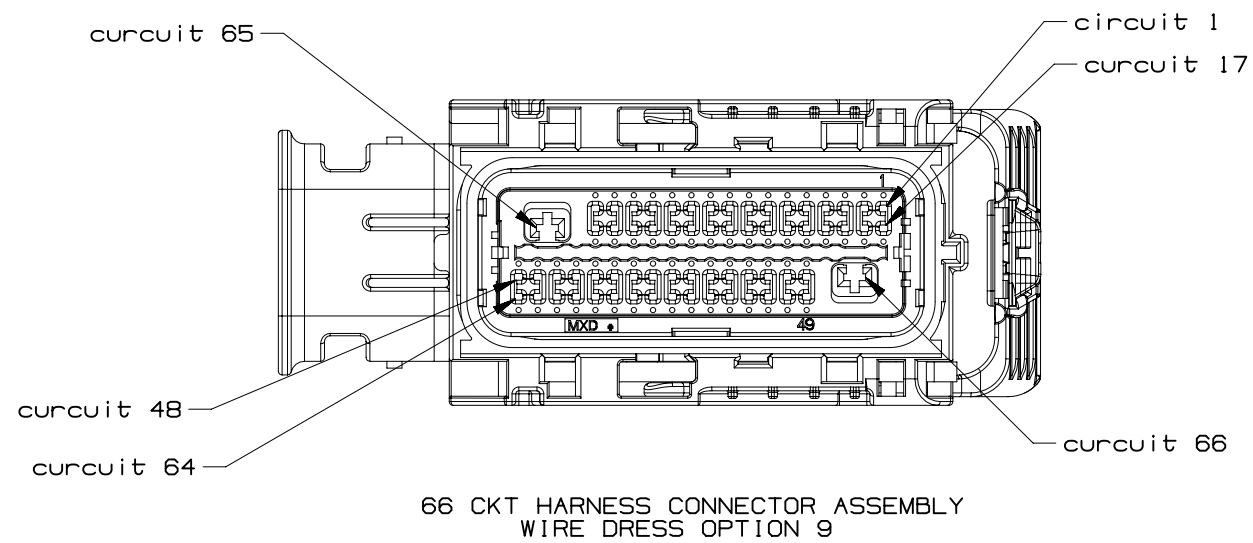
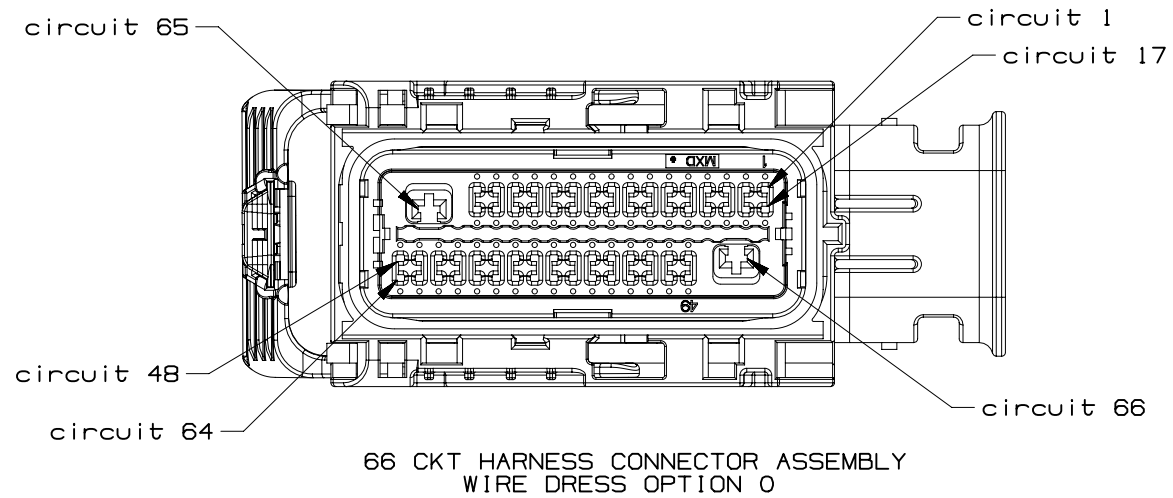


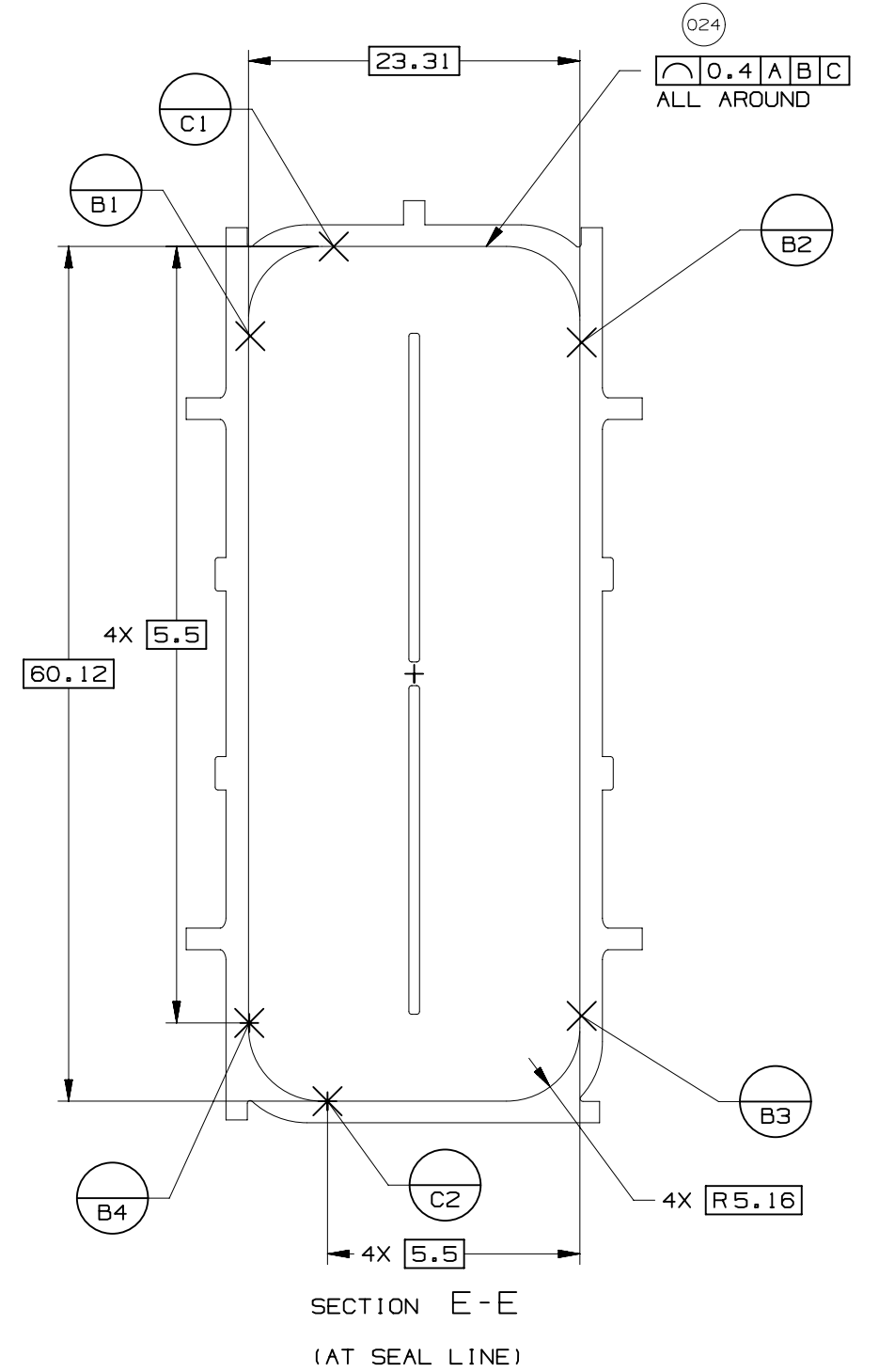
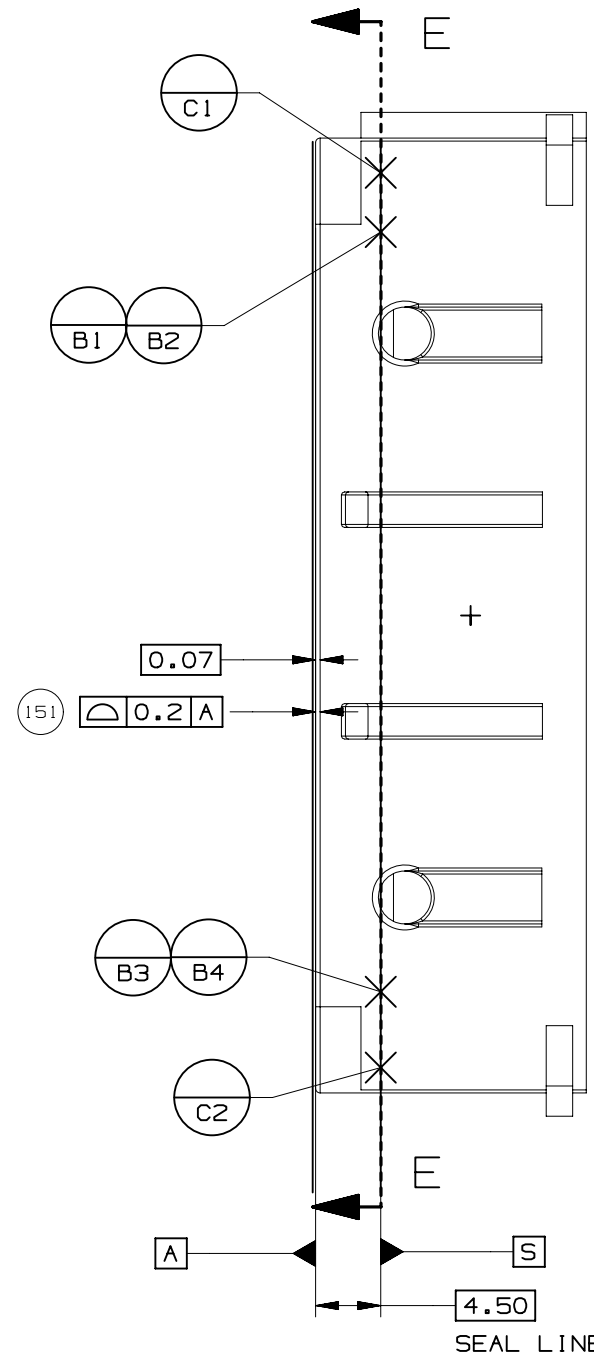
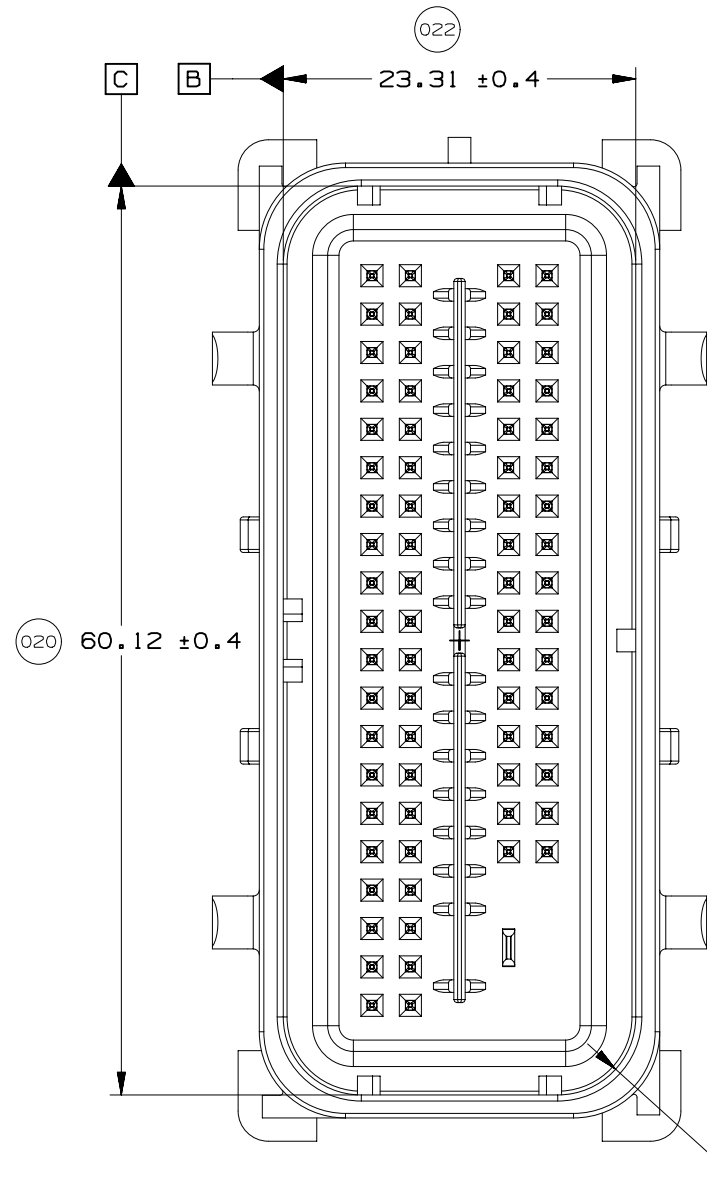
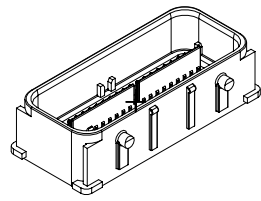
73 CKT COMPONENT CONNECTOR INTERFACE



80 CKT COMPONENT CONNECTOR INTERFACE







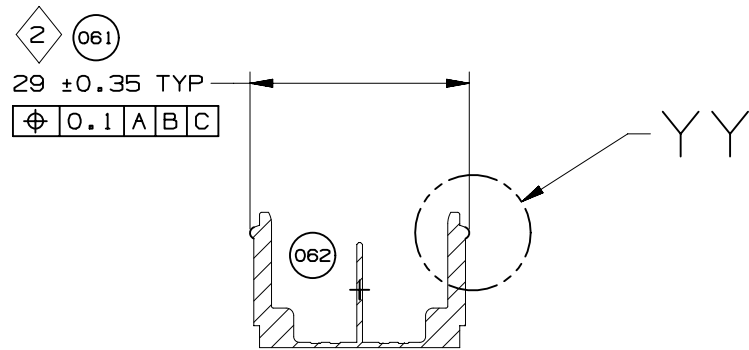
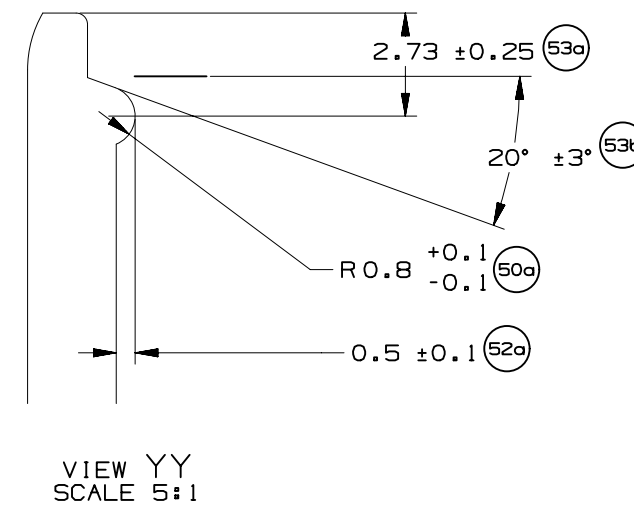
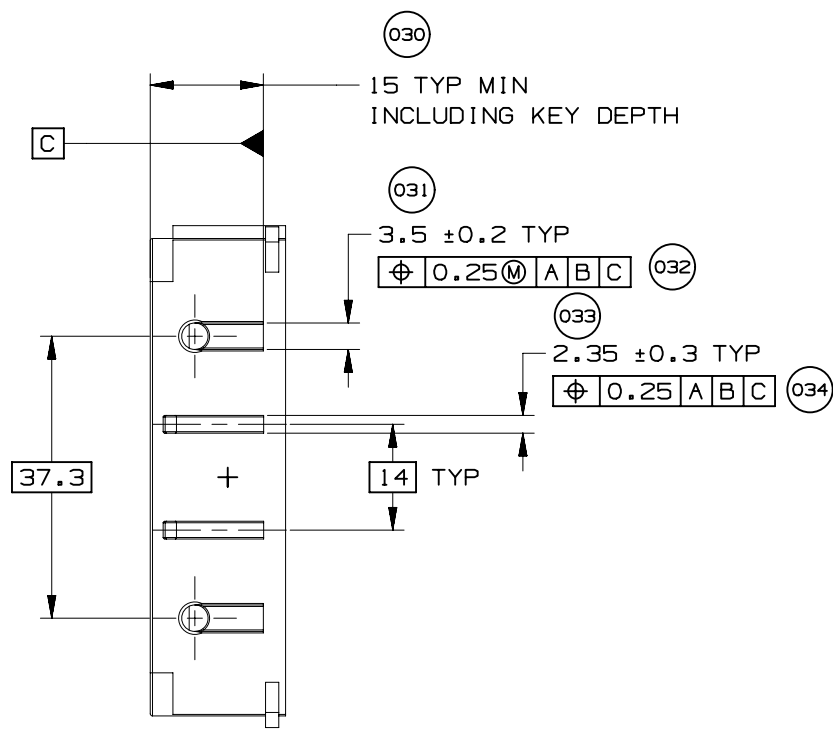
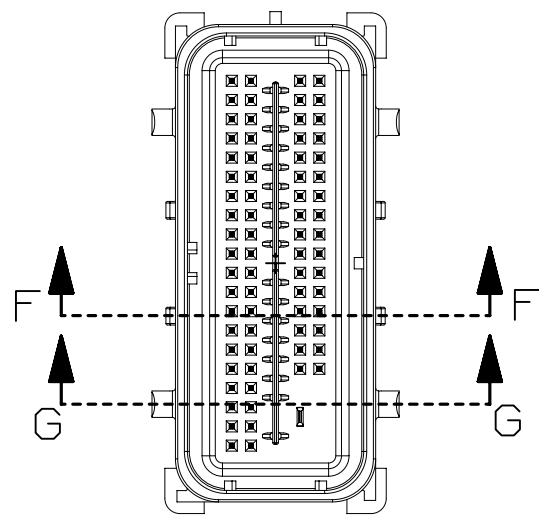
UNLESS SPECIFIED, TOLERANCE OF THE COMPONENT CONNECTOR INTERFACE TO BE $\nabla 0.13 \text{ A B C}$



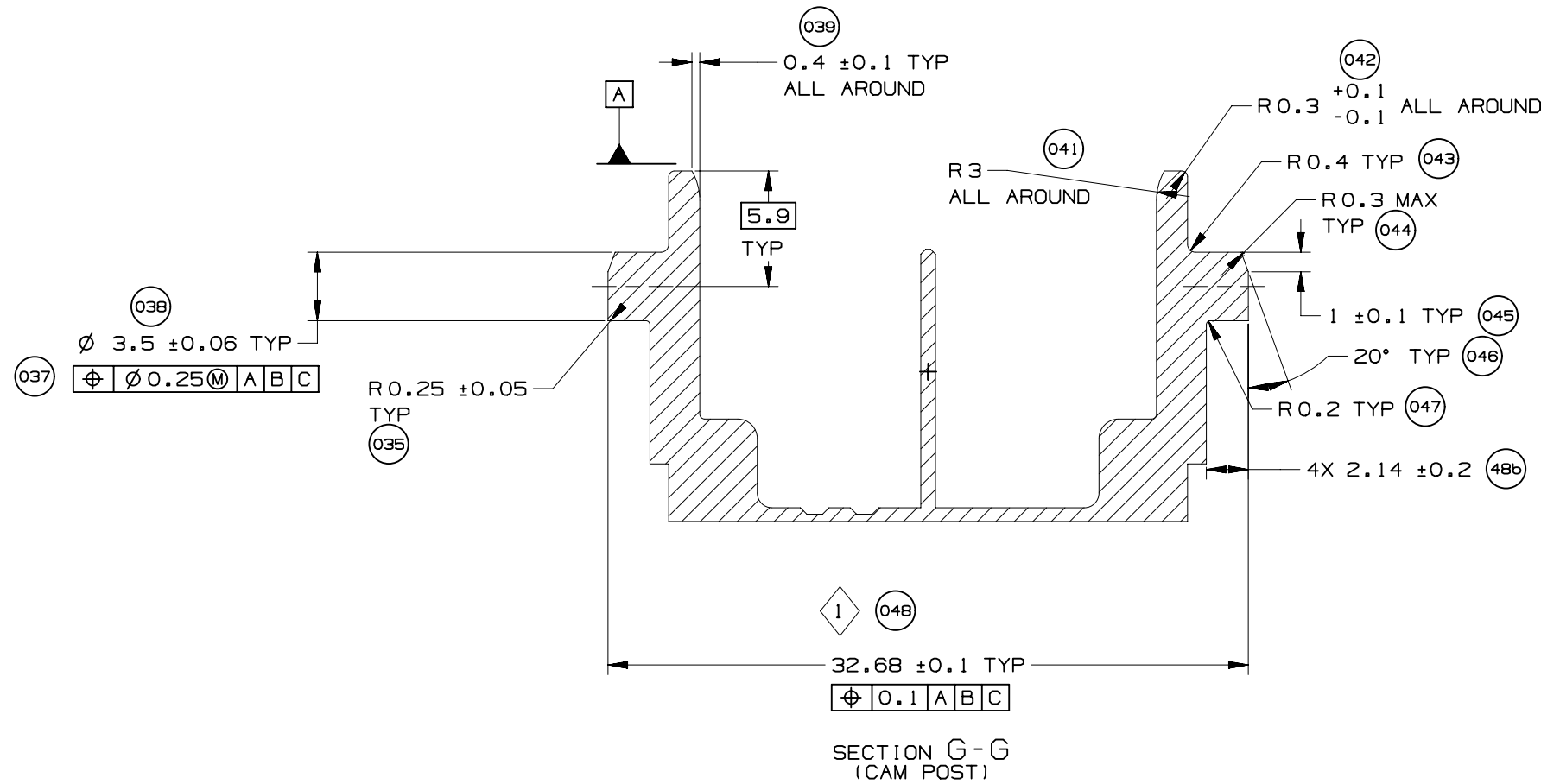
PAGE TITLE
COMPONENT CONNECTOR INTERFACE

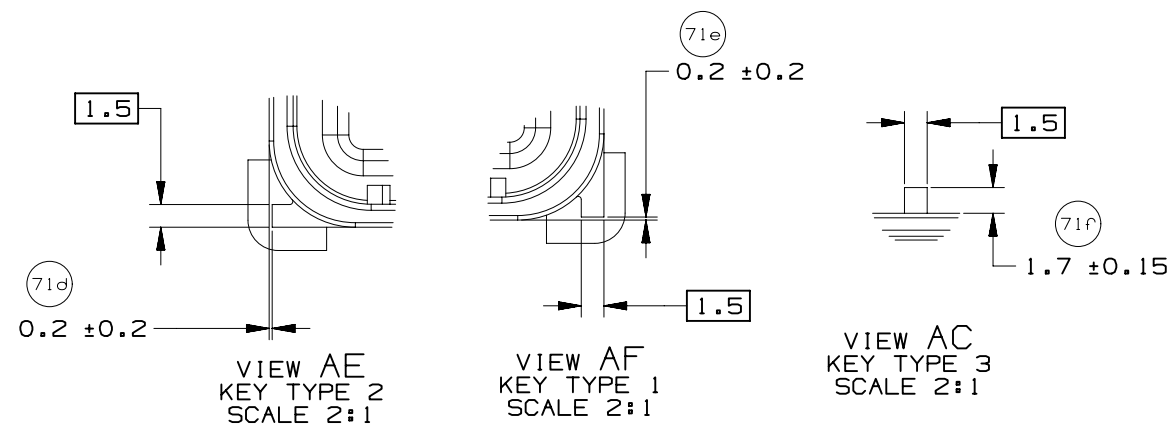
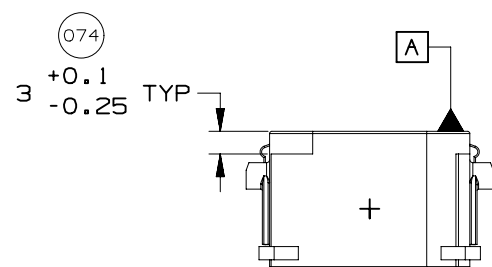
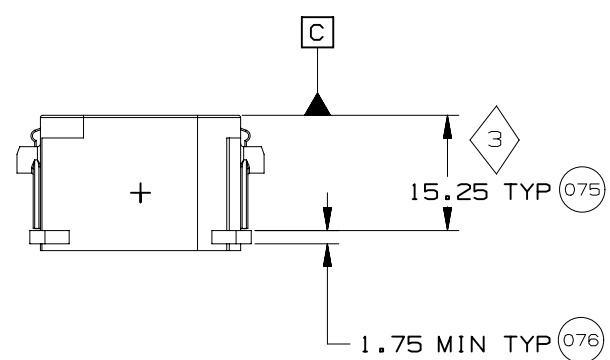
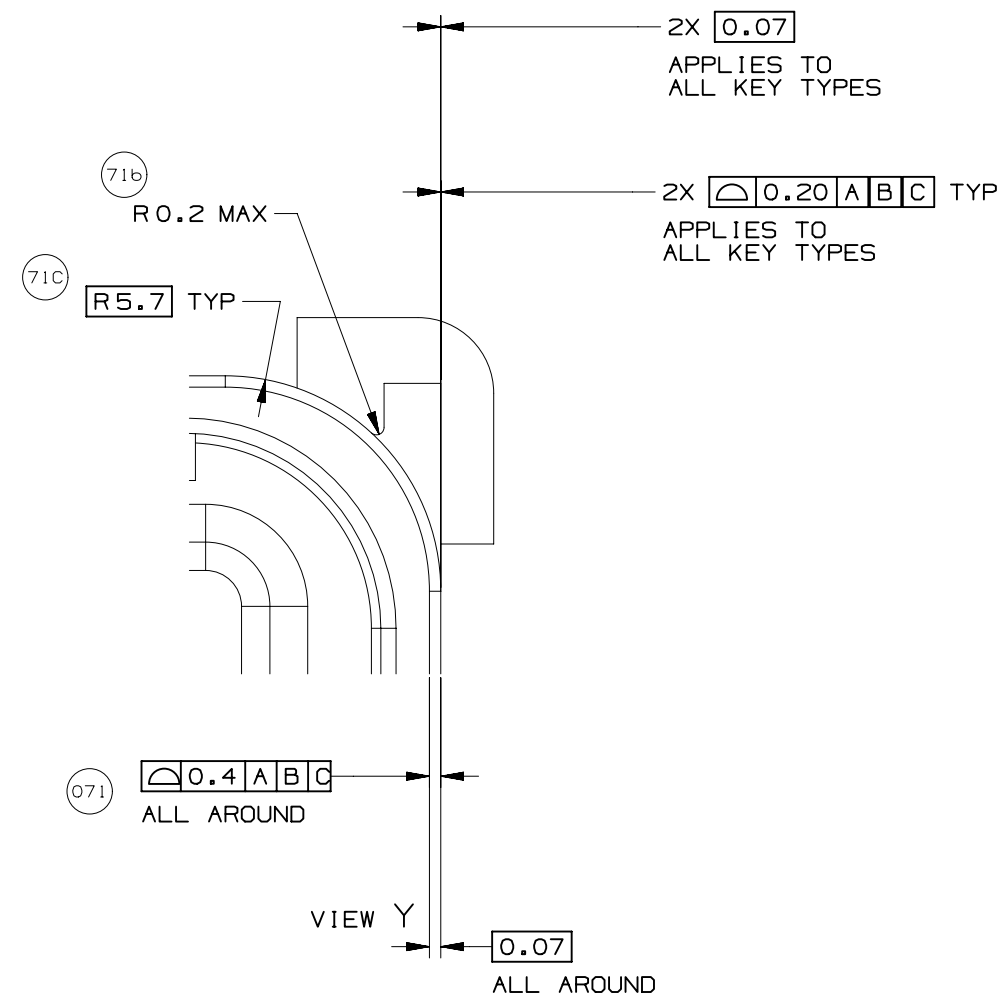
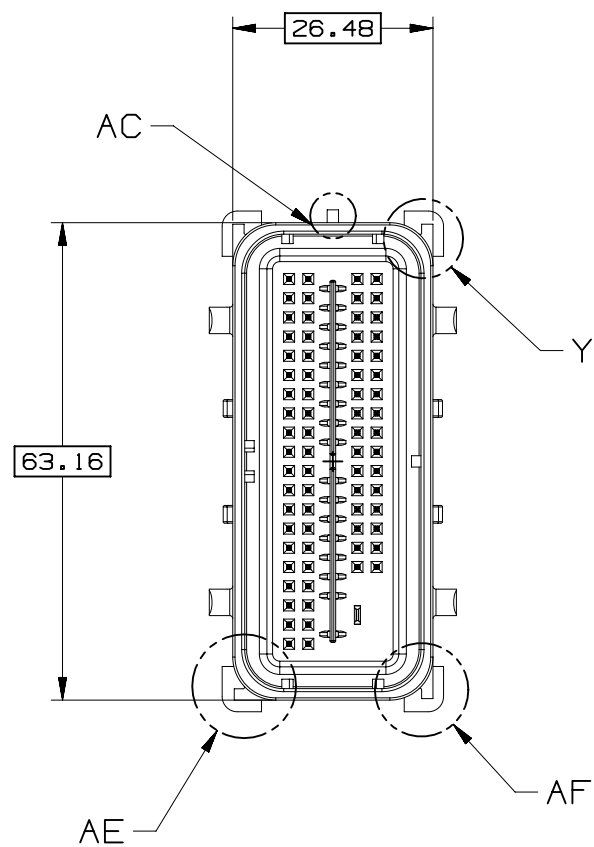
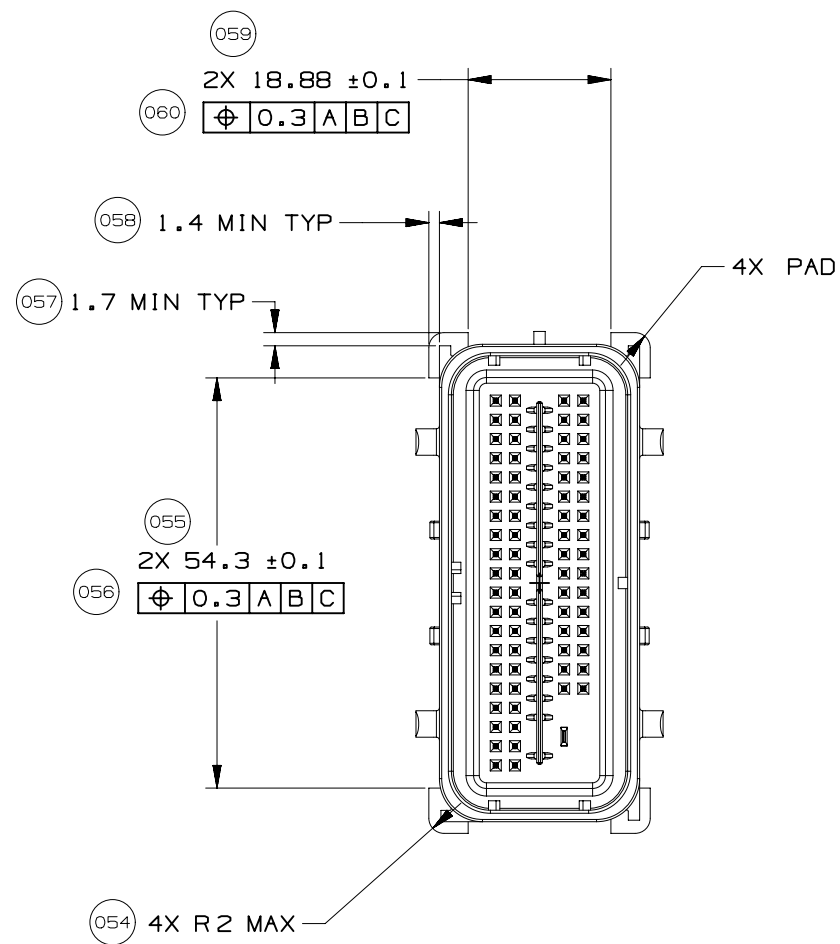
DRAWING NUMBER
12642695

DWG STATUS			PAGE NUMBER
ST	REV	PD1	
R	002		15 OF 21



SECTION F-F

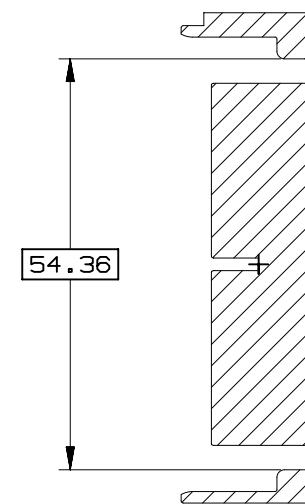
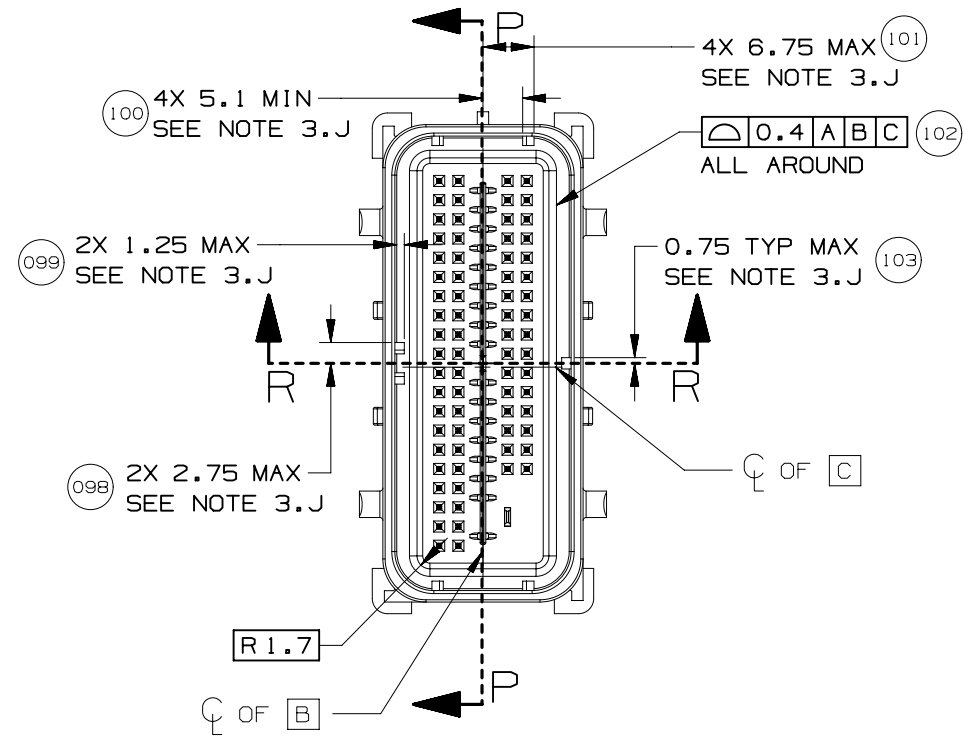




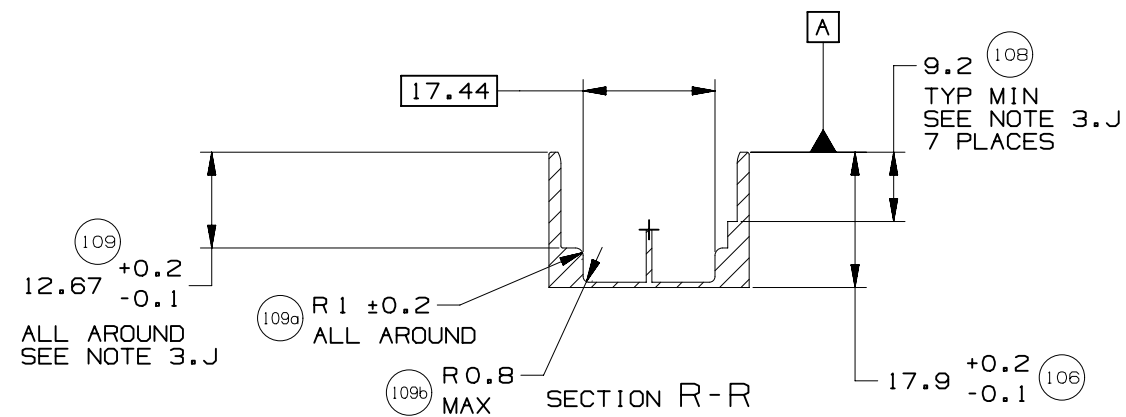
PAGE TITLE
 COMPONENT CONNECTOR INTERFACE

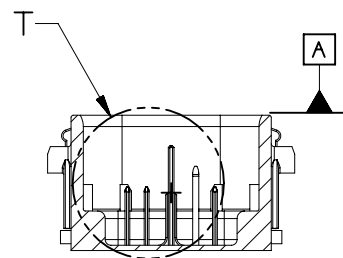
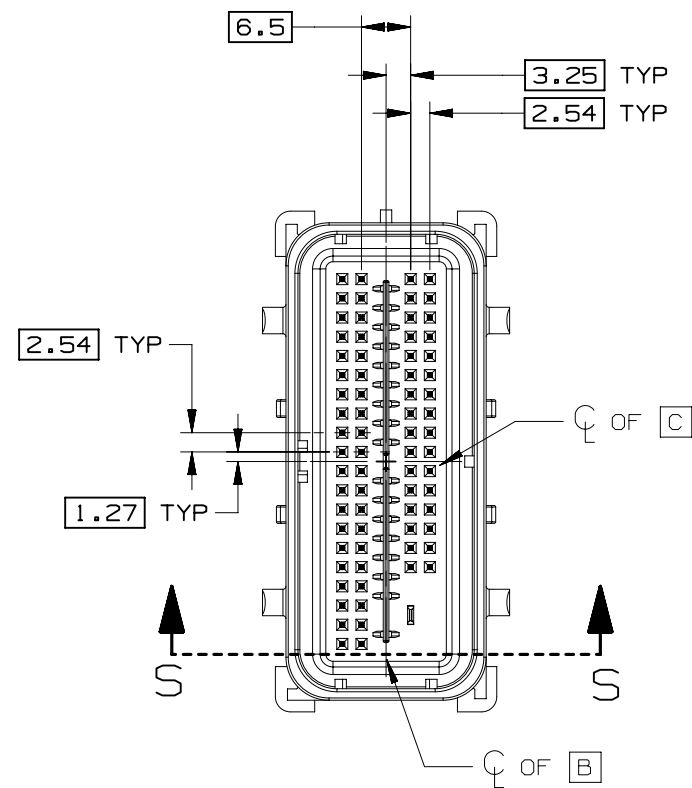
DRAWING NUMBER
 12642695

DWG STATUS			PAGE NUMBER
ST	REV	PD1	
R	002		17 OF 21

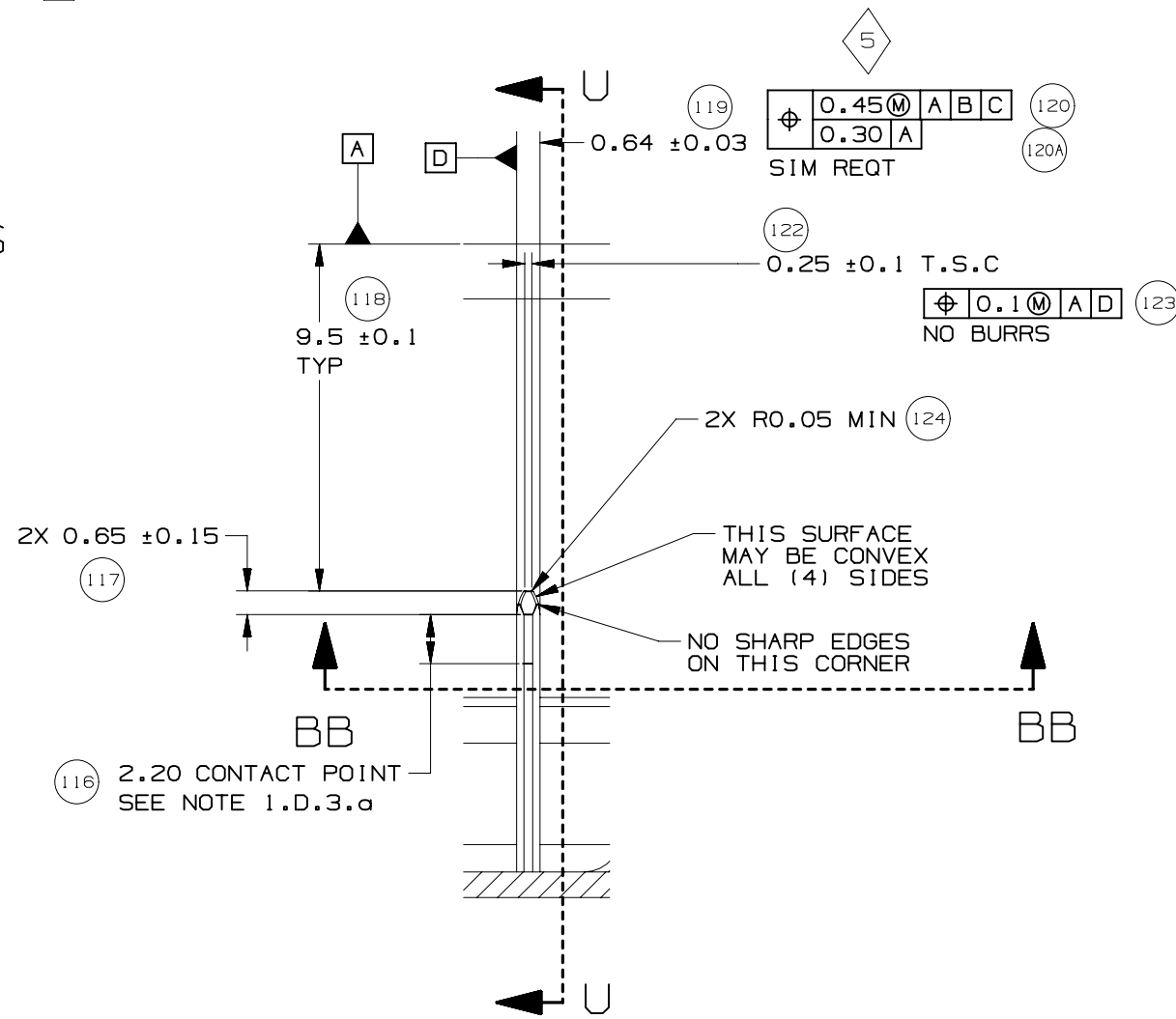


SECTION P-P

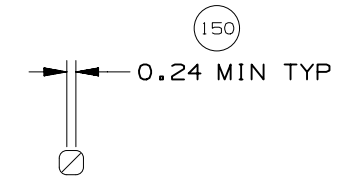




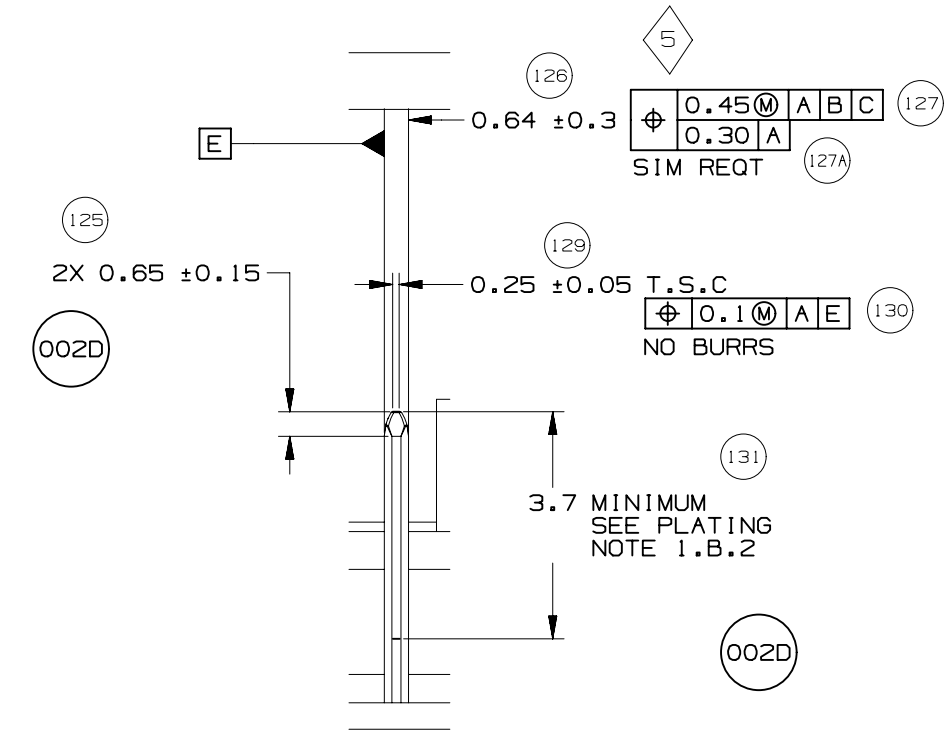
SECTION S-S



DETAIL T
TYPICAL
SCALE 5:1

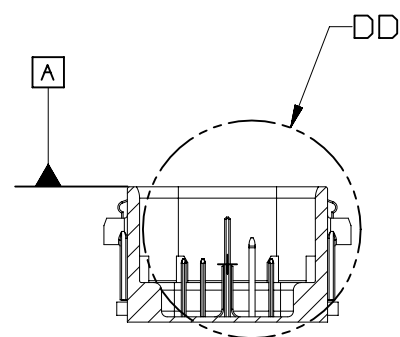
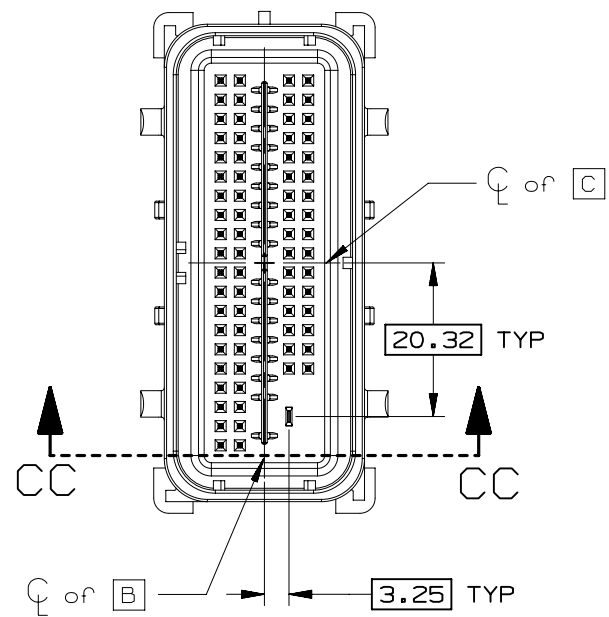


SECTION BB-BB

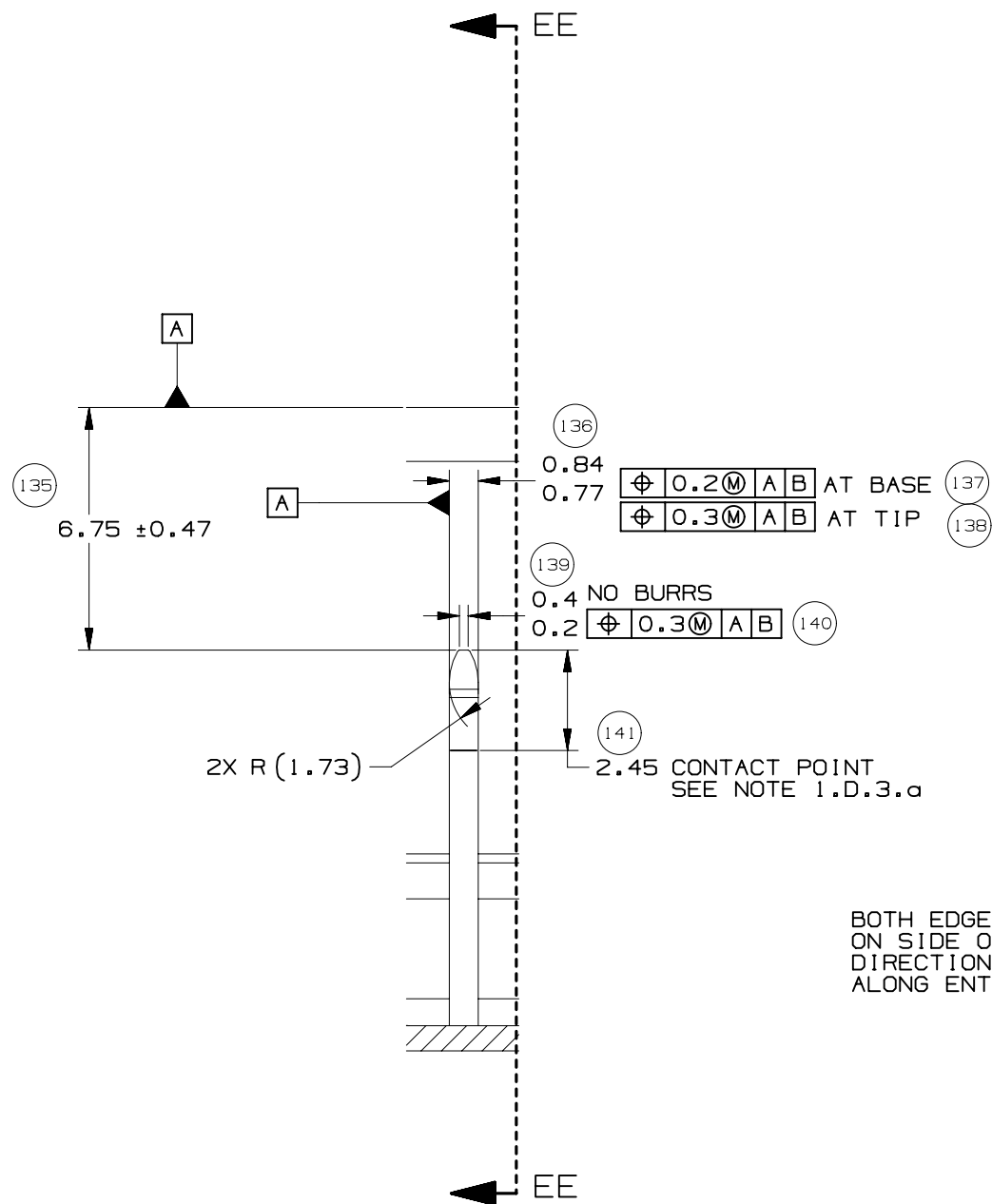


SECTION U-U

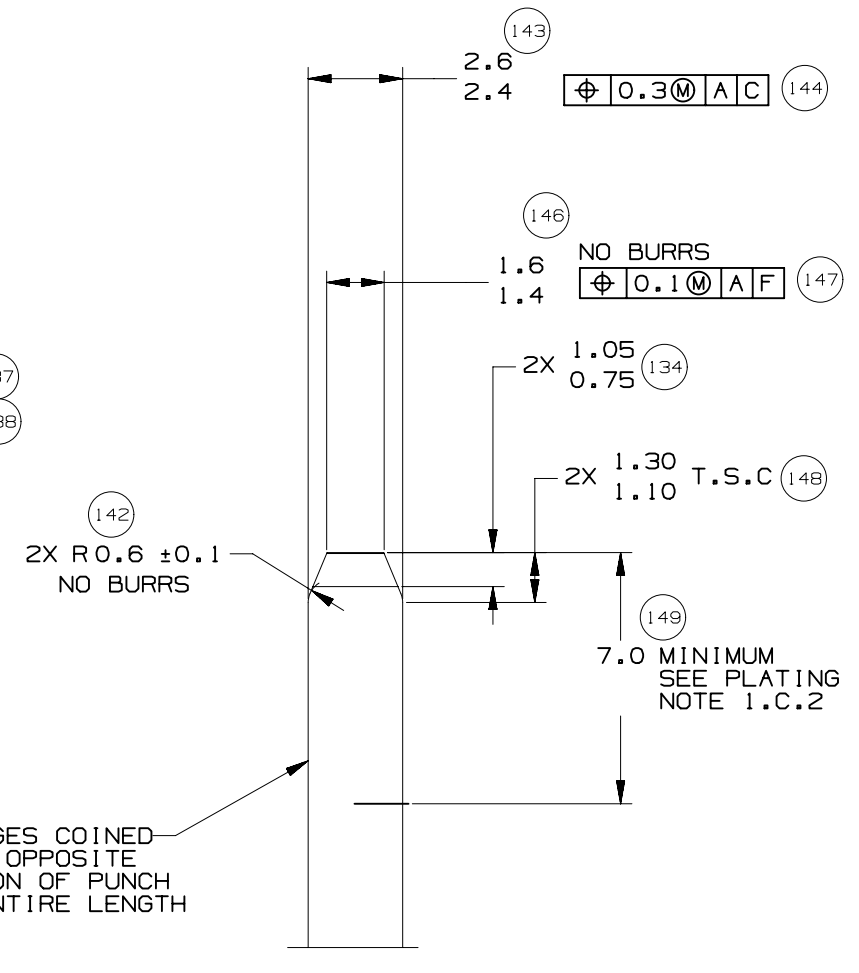




SECTION CC-CC



DETAIL DD
TYPICAL
SCALE 5:1

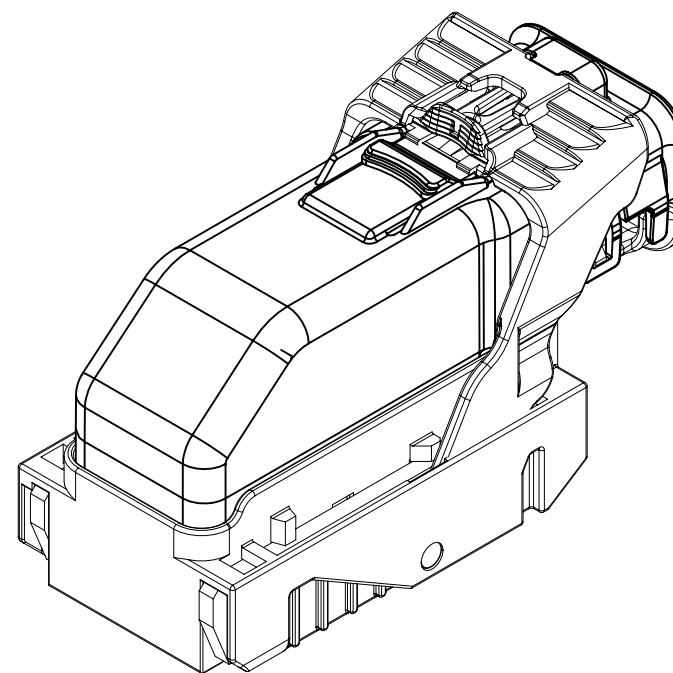


SECTION EE-EE
TYPICAL


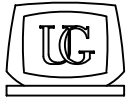
BOTH EDGES COINED
ON SIDE OPPOSITE
DIRECTION OF PUNCH
ALONG ENTIRE LENGTH



INDEX	
PAGE TITLE	PAGE
TITLE BLOCK	1
REVISION BLOCK	2
PART BLOCK	3
KPC BLOCK	4
COMPONENT TABLE	5
NOTES	6
NOTES	7
WIRE DRESS PACKAGING DIMENSIONS	8
LOCATION AND PACKAGING DIMENSIONS REFERENCING INTERFACE DATUMS B & C	9
LOCATION AND PACKAGING DIMENSIONS REFERENCING INTERFACE DATUM A	10
KEY ID REF - WIRE DRESS OPTION 0	11
KEY ID REF - WIRE DRESS OPTION 9	12
CIRCUIT CONFIGURATIONS	13
CIRCUIT CONFIGURATIONS	14
COMPONENT CONNECTOR INTERFACE	15
COMPONENT CONNECTOR INTERFACE	16
COMPONENT CONNECTOR INTERFACE	17
COMPONENT CONNECTOR INTERFACE	18
COMPONENT CONNECTOR INTERFACE	19
COMPONENT CONNECTOR INTERFACE	20
COMPONENT CONNECTOR INTERFACE	21
ADDITIONAL COMPONENTS REQUIRED	22




ISO VIEW

	<p>UNLESS OTHERWISE SPECIFIED: THIS DOCUMENT IS IN ACCORDANCE WITH ASME Y14.5M-1994 AS AMMENDED BY THE GM GLOBAL DIMENSIONING AND TOLERANCING ADDENDUM-1997. ALL GEOMETRIC TOLERANCES AND RELATED DATUMS APPLY RFS. RULE #1 (PERFECT FORM AT MMC) DOES NOT APPLY WHEN A RELATIONSHIP BETWEEN FEATURES IS ESTABLISHED BY ORIENTATION OR LOCATION TOLERANCES. SEPARATE POSITION CALLOUTS MAY BE GAGED SEPARATELY REGARDLESS OF DATUM REFERENCES.</p>			DATE
	 CHANGE RESTRICTED NO MANUAL CHANGES	REFERENCE 12H (MOLEX AUTOMOTIVE)	DRAFTER APVD1 APVD2 APVD3 APVD4 APVD5	05JN15
DO NOT SCALE				
METRIC DIMENSIONS SHOWN IN MILLIMETERS UNLESS OTHERWISE SPECIFIED		DRAWING NAME HARNESS CONN ASM-SEALED 52/66/73/80 CKTS, MX123		
		DRAWING NUMBER 12672833	DWG STATUS ST REV PDI R 001	PAGE NUMBER 1 OF 22

PAGE	DWG STATUS					REVISION HISTORY	AUTH	DR	CK	ENG
	DATE	ST	REV	CHG	PDI					
	05JN15	R	001			RELEASED TO PRODUCTION AT DLS A	CRMRJE	DFK		

PAGE	DWG STATUS					REVISION HISTORY	AUTH	DR	CK	ENG
	DATE	ST	REV	CHG	PDI					

	PAGE TITLE	DRAWING NUMBER	DWG STATUS			PAGE NUMBER	
	REVISION BLOCK		12672833	ST	REV	PDI	2 OF 22
				R	001		

KEY PRODUCT CHARACTERISTICS
(IN ACCORDANCE WITH QN 1805 OR ON 1050)



SAFETY/COMPLIANCE

TOTAL ON
DRAWING

4



FIT/FUNCTION

LAST NO.
USED

4

NO	TYPE	DESCRIPTION	RATIONALE	PAGE/ZONE
1	F/F	32.68	IMPROVE CONNECTOR SYSTEM MATING	16
2	F/F	29.00	INSURE PROPER RELEASE OF LEVER	16
3	F/F	15.25	INSURE FINAL MATE POSITION	17
4	F/F	POSITIONAL TOLERANCE (2 PLACES)	INSURE CONNECTOR SYSTEM MATEABILITY	20



PAGE TITLE
KPC BLOCK

DRAWING NUMBER

12672833

DWG STATUS

ST	REV	PD1
----	-----	-----

R	001	
---	-----	--

PAGE NUMBER

4 OF 22

LINE	MFG.	MFG. P/N	GM P/N	EFFECTIVE DATE	APPLICABLE COMPONENTS	KEY OPTION	WIRE DRESS OPTION	KEY CONFIG.	COLOR	STATUS
					DESCRIPTION					
-										
1	MOLEX	34565-0003	12582676	02JN03	MX123 DRESS COVER 52/66/73/80 CKT	N/A	N/A	N/A	BLACK	AVAILABLE
2	MOLEX	160094-0001	12672852	01SP13	MX123 HRNS CONN ASSY 52 CKT	A	0	1458	BLACK	AVAILABLE
3	MOLEX	160094-0003	12672854	01SP13	MX123 HRNS CONN ASSY 52 CKT	C	0	2467	BLUE	AVAILABLE
4	MOLEX	160094-0013	12672853	01SP13	MX123 HRNS CONN ASSY 52 CKT	A	9	1458	BLACK	AVAILABLE
5	MOLEX	160094-0015	12672855	01SP13	MX123 HRNS CONN ASSY 52 CKT	C	9	2467	BLUE	AVAILABLE
6	MOLEX	34822-0013	12672856	01SP13	MX123 HRNS CONN ASSY 66 CKT	A	0	1458	BLACK	AVAILABLE
7	MOLEX	34822-0033	12672858	01SP13	MX123 HRNS CONN ASSY 66 CKT	C	0	2467	BLUE	AVAILABLE
8	MOLEX	34822-0023	12672857	01SP13	MX123 HRNS CONN ASSY 66 CKT	A	9	1458	BLACK	AVAILABLE
9	MOLEX	34822-0043	12672859	01SP13	MX123 HRNS CONN ASSY 66 CKT	C	9	2467	BLUE	AVAILABLE
10	MOLEX	34566-0103	12672860	11JN04	MX123 HRNS CONN ASSY 73 CKT	A	0	1458	BLACK	AVAILABLE
11	MOLEX	34566-0203	12672862	11JN04	MX123 HRNS CONN ASSY 73 CKT	B	0	1468	ST GRAY	AVAILABLE
12	MOLEX	34566-0303	12672864	09AP08	MX123 HRNS CONN ASSY 73 CKT	C	0	2467	BLUE	AVAILABLE
13	MOLEX	34566-0603	12672866	05DC14	MX123 HRNS CONN ASSY 73 CKT	F	0	1357	NATURAL	AVAILABLE
14	MOLEX	34566-1303	12672861	11JN04	MX123 HRNS CONN ASSY 73 CKT	A	9	1458	BLACK	AVAILABLE
15	MOLEX	34566-1403	12672863	11JN04	MX123 HRNS CONN ASSY 73 CKT	B	9	1468	ST GRAY	AVAILABLE
16	MOLEX	34566-1503	12672865	09AP08	MX123 HRNS CONN ASSY 73 CKT	C	9	2467	BLUE	AVAILABLE
17	MOLEX	34566-1803	12672867	05DC14	MX123 HRNS CONN ASSY 73 CKT	F	9	1357	NATURAL	AVAILABLE
18	MOLEX	34566-0703	12672872	09AP08	MX123 HRNS CONN ASSY 80 CKT	G	0	1358	BLUE	AVAILABLE
19	MOLEX	34566-0803	12672870	11JN04	MX123 HRNS CONN ASSY 80 CKT	H	0	2458	ST GRAY	AVAILABLE
20	MOLEX	34566-0903	12672868	T.B.D	MX123 HRNS CONN ASSY 80 CKT	J	0	2457	BLACK	NOT ACTIVE
21	MOLEX	34566-1903	12672873	09AP08	MX123 HRNS CONN ASSY 80 CKT	G	9	1358	BLUE	AVAILABLE
22	MOLEX	34566-2003	12672871	11JN04	MX123 HRNS CONN ASSY 80 CKT	H	9	2458	ST GRAY	AVAILABLE
23	MOLEX	34566-2103	12672869	T.B.D	MX123 HRNS CONN ASSY 80 CKT	J	9	2457	BLACK	NOT ACTIVE
24	MOLEX	34736-0028	12672851	01AU10	MX64 RCPT TERM Ag 0.5mm/0.75mm ISO GAGE B (RIGHT PAYOFF)	N/A	N/A	N/A	N/A	AVAILABLE
25	MOLEX	34736-0026	12672850	01AU10	MX64 RCPT TERM Ag 0.35mm ISO GAGE B (RIGHT PAYOFF)	N/A	N/A	N/A	N/A	AVAILABLE
26	MOLEX	34586-0001	12674820	11JN04	MX123 0.64mm GROMMET PLUG	N/A	N/A	N/A	NATURAL	AVAILABLE
27	YAZAKI	7116-4150-02	12588066	02JN03	2.8mm YESC SEALED FEMALE TERMINAL TIN 0.35mm2-0.50mm2	N/A	N/A	N/A	N/A	NOT ACTIVE
28	YAZAKI	7116-4151-02	12588067	02JN03	2.8mm YESC SEALED FEMALE TERMINAL TIN 0.75mm2-1.0mm2	N/A	N/A	N/A	N/A	NOT ACTIVE
29	YAZAKI	7116-4152-02	12582685	02JN03	2.8mm YESC SEALED FEMALE TERMINAL TIN 1.5mm2-2.5mm2	N/A	N/A	N/A	N/A	AVAILABLE
30	YAZAKI	7158-3111-60	12588068	02JN03	2.8mm CABLE SEAL (wire O.D. range 1.2mm-1.9mm)	N/A	N/A	N/A	GREEN	NOT ACTIVE
31	YAZAKI	7158-3112-70	12588069	02JN03	2.8mm CABLE SEAL (wire O.D. range 1.8mm-2.3mm)	N/A	N/A	N/A	YELLOW	NOT ACTIVE
32	YAZAKI	7158-3113-40	12582686	02JN03	2.8mm CABLE SEAL (wire O.D. range 2.1mm-3.0mm)	N/A	N/A	N/A	WHITE	AVAILABLE
33	YAZAKI	7158-3114-90	12674821	02JN03	2.8mm YESC CAVITY PLUG	N/A	N/A	N/A	BLUE	AVAILABLE
34	MOLEX	63825-8400	N/A	02JN03	MX64 TERM HAND CRIMP TOOL	N/A	N/A	N/A	N/A	AVAILABLE
35	MOLEX	63813-1400	XX019826	02JN03	MX64 TERM SERVICE TOOL	N/A	N/A	N/A	N/A	AVAILABLE
36	MOLEX	63902-5300	N/A	02JN03	MX64 CRIMP APPLICATOR with TOOL KIT 0.5/0.75mm2 PAYOFF DIRECTION D (left payoff) (contact Molex for payoff detail)	N/A	N/A	N/A	N/A	AVAILABLE
37	MOLEX	63902-5370	N/A	02JN03	MX64 APPLICATOR TOOL KIT 0.5/0.75mm2	N/A	N/A	N/A	N/A	AVAILABLE
38	MOLEX	63902-5100	N/A	02JN03	MX64 CRIMP APPLICATOR with TOOL KIT 0.35mm2 PAYOFF DIRECTION D (left payoff) (contact Molex for payoff detail)	N/A	N/A	N/A	N/A	AVAILABLE
39	MOLEX	63902-5170	N/A	02JN03	MX64 APPLICATOR TOOL KIT 0.35mm2	N/A	N/A	N/A	N/A	AVAILABLE
40	SPX	J35616-64	T.B.D.	02JN03	0.64mm PROBE TOOL (for rcpt)	N/A	N/A	N/A	N/A	AVAILABLE
41	SPX	J35616-64A	T.B.D.	02JN03	0.64mm PROBE TOOL WITH EXT (for rcpt)	N/A	N/A	N/A	N/A	AVAILABLE
42	SPX	J35616-65	T.B.D.	02JN03	0.64mm PROBE TOOL WITH EXT (for pin)	N/A	N/A	N/A	N/A	AVAILABLE
43	SPX	J35616-4A	T.B.D.	02JN03	2.8mm PROBE TOOL (for rcpt)	N/A	N/A	N/A	N/A	AVAILABLE
44	YAZAKI	X39899-J374	12094430	02JN03	2.8mm TERM SERVICE TOOL	N/A	N/A	N/A	N/A	AVAILABLE
45	TQI	7000-1006	N/A	15JN15	52 CKT PASS THROUGH ADAPTERS	N/A	N/A	N/A	BLACK	AVAILABLE
46	TQI	7000-1002	N/A	15JN15	66 CKT PASS THROUGH ADAPTERS	N/A	N/A	N/A	BLACK	AVAILABLE
47	TQI	79917-0061	N/A	15JN15	73 CKT PASS THROUGH ADAPTERS	N/A	N/A	N/A	BLACK	AVAILABLE
48	TQI	79917-0066	N/A	15JN15	80 CKT PASS THROUGH ADAPTERS	N/A	N/A	N/A	BLACK	AVAILABLE

* - MX123 DRESS COVER 52/66/73/80 CKT MATES TO ANY MX123 HARN CONN ASSY SHOWN ON TABLE ABOVE



PAGE TITLE
COMPONENT TABLE

DRAWING NUMBER

12672833

DWG STATUS

ST	REV	PD1
R	001	

PAGE NUMBER

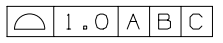
5 OF 22

NOTES: UNLESS OTHERWISE SPECIFIED

1. MATERIAL FOR INTERFACE:


- A. RESIN:
 - 1. 30% G.F. PBT; 20% MAX. (BY WEIGHT) REGRIND.
 - 2. MATING CONNECTOR INTERFACE PART COLOR MUST BE SAME AS MATCHING KEYED HARNESS CONNECTOR ASSEMBLY.
 - 3. MUST BE VALIDATED FOR INDIVIDUAL DEVICE APPLICATION REQUIREMENTS.
- B. 0.64MM PINS:
 - 1. BASE MATERIAL: COPPER ALLOY; CONDUCTIVITY >= 28% IACS AT 20°C; TENSILE STRENGTH >= 635 N/mm²; SURFACE ROUGHNESS R_a 6 MAX.
 - 2. PLATING FINISH: SILVER (Ag). PLATING TO BE 1.9-3.3 μm ELECTRODEPOSITED SEMI-BRIGHT SILVER OVER 1.25-2.25 μm DUCTILE SULPHAMATE NICKEL PER NOTE 1(D).
 - 3. ANTI-TARNISH: SYNTHETIC HYDROCARBON CONTACT SURFACE FINISH OR EQUIVALENT APPLIED WITHOUT VOID TO CONTACT AREA (MIN 3.7mm FROM PIN TIP).
- C. 2.8MM BLADE:
 - 1. BASE MATERIAL: COPPER ALLOY; CONDUCTIVITY >= 28% IACS AT 20°C; TENSILE STRENGTH >= 350 N/mm²; SURFACE ROUGHNESS R_a 6 MAX.
 - 2. PLATING FINISH: TIN. PLATING TO BE 2.5-5.0 μm ELECTRODEPOSITED TIN, MATTE FINISH OVER 1.25-2.5 μm DUCTILE SULPHAMATE NICKEL PER NOTE 1(D).
- D. PLATING REQUIREMENTS:
 - 1. SILVER PLATING
 - a. 99.5% PURE SEMI-BRIGHT WITH NO ORGANIC BRIGHTNERS OR CHROMATES.
 - 2. NICKEL PLATING
 - a. ELECTRODEPOSITED DUCTILE SULFAMATE NICKEL WITH A NON-BRIGHTENED FINISH. NO ORGANIC OR BRIGHTENING AGENTS SHALL BE ALLOWED.
 - b. SHALL ONLY BE USED AS AN UNDERLYING PLATING AND MAY NOT BE USED AS AN ELECTRICAL CONTACT SURFACE PLATING.
 - c. SHALL BE NODULE FREE WHEN VIEWED AT 10X MAGNIFICATION IN MEASURED IN CONTACT SURFACE AREA PLUS 0.5MM PERIMETER AROUND THE CONTACT SURFACE AREA.
 - d. ALL PLATINGS SHALL HAVE A 1.0% MAXIMUM BY WEIGHT IMPURITIES. IMPURITIES ARE DEFINED AS ALL ELEMENTS NOT THE PRIMARY PLATING OR HARDENING AGENT IF APPLICABLE, AS DETERMINED BY WET CHEMICAL ANALYSIS OR AUGER METHOD. NO SINGLE IMPURITY SHALL EXCEED 0.1% MAXIMUM BY WEIGHT.
 - 3. TESTING
 - a. THICKNESS TO BE MEASURED IN CONTACT SURFACE AREA PLUS 0.5MM PERIMETER AROUND THE CONTACT SURFACE AREA AS DESIGNATED IN THE DRAWING. THICKNESS SHALL BE DETERMINED BY METHOD OF X-RAY (XRF).
 - b. PLATING ADHESION SHALL BE TESTED BY A BEND TEST FOR ALL METALS. THE TEST SAMPLE SHALL BE BENT 90 DEGREES TO DETERMINE DEPOSIT ADHESION. TESTING SHALL BE COMPLETED IN ACCORDANCE WITH ASTM SPEC B571.

2. DESIGN - GENERAL:

- A. THIS IS A 100% CAD GENERATED PART. THE CAD MATHEMATICAL DATA IS THE MASTER FOR THIS PART. FOR DIMENSIONAL OR ANY INFORMATION NOT SHOWN ON THIS DRAWING, ANALYZE THE CAD MODEL.
- B. TOLERANCES:
 - 1. LINEAR
 - 0.X ± 0.30
 - 0.XX ± 0.10
 - 0.XXX ± 0.10
 - 2. ANGULAR X° ± 3°
 - 3. 
- C. MINIMUM WALL THICKNESS REQUIRED: 1.3mm.
- D. CORNERS SHOWN AS SHARP TO BE R 0.2 MAX.
- E. LETTERING SHALL BE 0.15 MAX RAISED IN 0.20 MAX RECESS PAD. THIS INCLUDES MATERIAL CODE, RECYCLING CODE, CAVITY ID AND DATE CODE.
- F-1. PARTS MUST BE FREE OF DISCOLORATION, SALT RESIDUE AND OTHER IMPERFECTIONS THAT AFFECT FIT OR FUNCTION.
- F-2. SCRATCHES OR DENTS NOT TO EXCEED 0.013mm IN DEPTH.
- G. FOLLOWING PRODUCTION CODES TO BE PERMANENTLY MARKED & HUMAN READABLE TO A LETTER HEIGHT OF 1.5 ± 0.5MM X 0.3 MAX DEEP
 - 1. MATERIAL #: XXXXX-XXXX
 - 2. DATE CODE: JJYY (JULIAN DAY, LAST DIGIT OF YEAR)
 - 3. INSPECTION MACHINE CODE + SERIAL #: X_XXXXX

3. DESIGN - MANUFACTURING:

- A. DRAFT TO BE WITHIN TOLERANCE.
- B. ALLOWABLE FLASH MAX 0.2 HIGH X MAX 0.13 THICK.
- C. ALLOWABLE PARTING LINE MISMATCH 0.2 MAX.
- D. EJECTOR PINS MARK TO BE FLUSH TO 0.25 MAX DEPRESSED.
- E. ALLOWABLE GATE VESTIGE FLUSH TO 0.25 MAX PROTRUSION.
- F. NO EXTERNAL MOLD RELEASE AGENT ALLOWED DURING MANUFACTURING.
- G. STEEL THAT FORMS THE INDICATED SURFACE MUST BE POLISHED WITH A DIAMOND FINISH (SPI A-2) OVER THE FULL PERIPHERY OF THE TOOL. SURFACE MUST HAVE NO MISMATCH.
- H. ANY PROCESS LUBRICANT REMAINING ON THE TERMINAL MUST NOT VARNISH OR DEGRADE IT'S ELECTRICAL PERFORMANCE UP TO A MAXIMUM CLASS AMBIENT TEMPERATURE PER SAE USCAR-2 FOR 1008 HOURS. PROCESS LUBRICANTS SHOULD BE APPROVED BY THE RESPONSIBLE ENGINEER.
- J. OPTIONAL FEATURES PROVIDED FOR AUTOMATION.
- K. PART MUST BE FREE FROM BURRS AND SHARP EDGES, WHICH MIGHT BE DETRIMENTAL TO SATISFACTORY ASSEMBLY, SAFE HANDLING OR FUNCTION OF PART.
- L. PARTS AS DELIVERED TO ASSEMBLY SHALL BE CLEAN AND FREE OF DEBRIS, RESIDUAL ABRASIVE MATERIAL AND CORROSION PRODUCTS ADVERESLY AFFECTING FUNCTION OR APPEARANCE.
- M. RESTRICTED AND REPORTABLE SUBSTANCES FOR PARTS PER GMW3059.

	PAGE TITLE	DRAWING NUMBER	DWG STATUS			PAGE NUMBER	
	NOTES		12672833	ST	REV	PDI	6 OF 22
				R	001		

NOTES: UNLESS OTHERWISE SPECIFIED

4. SYSTEM REQUIREMENTS:

- A. HARNESS CONNECTOR IS COMPATIBLE WITH THE FOLLOWING ISO WIRE SIZE NO'S:
 0.35mm², MEETING GMW15626 - MIN OD OF 1.30MM
 0.50mm², MEETING GMW15626
 0.75mm², MEETING GMW15626 - MAX OD OF 2.06MM

B. CABLE TIE SPECIFICATIONS:

1. CABLE TIE:
 - TENSILE RATING: 220N / (50lbs) MIN
 - TIE LENGTH: 186mm MIN
 - TIE WIDTH: 4.75mm MAX
 - MATERIAL: NYLON
2. INSTALLATION:
 - CABLE TIE TENSION: 190N MIN
3. DRESSED WIRE BUNDLE PACKAGING: SEE FIG. 1

C. WHEN MATED WITH COMPONENT CONNECTOR INTERFACE AND/OR DRESS COVER, HARNESS CONNECTOR SYSTEM CONFORMS TO THE FOLLOWING:

1. SAE/USCAR-2, REV: 3 APRIL, 2001; CLASS 3
2. FIELD CORRELATED LIFE TEST, SAE/USCAR-20, NOV. 2001
3. GMW #3191 AUGUST 22, 2000 (DRAFT); TEMPERATURE CLASS 3, SEALING CLASS 1, VIBRATION CLASS 2
4. RESTRICTED AND REPORTABLE CHEMICALS PER GMW #3059, REV: D AUGUST 2002
5. TPA USER FORCES (FULLY POPULATED WITH TERMINALS)
 - a. REMOVAL FROM LOCK TO PRE-SET: <=120N

D. WIRE SPECIFICATIONS:

1. WIRE SURFACE MUST BE FREE OF SCRATCHES, GROOVES OR DENTS WHERE FUNCTIONAL

5. TERMINAL CURRENT RATINGS:

A. MX64 RCPT TERM

ALL TESTING DONE IN ACCORDANCE WITH USCAR-2 REV5 SECTION 5.3

1. MX64 RCPT TERM Ag 0.50/0.75mm² CRIMPED TO 0.75mm² ISO WIRE AND MATED TO MX123 0.64MM PIN: SEE TABLE BELOW
2. MX64 RCPT TERM Ag 0.35mm² CRIMPED TO 0.35mm² ISO WIRE AND MATED TO MX123 0.64MM PIN: SEE TABLE BELOW

WIRE	CURRENT RATING			
	23°C	85°C	105°C	125°C
0.75mm ²	11.3A	11.3A	9.5A	6.6A
0.50mm ²	10.0A	10.0A	8.3A	5.7A
0.35mm ²	8.5A	8.5A	7.1A	5.0A

B. 2.8MM RCPT TERM

ALL TESTING DONE IN ACCORDANCE WITH MOLEX DVP&R 0279 (TR # 7125)

1. 2.8MM RCPT TERM TIN 2.0mm² CRIMPED TO 2.0mm² ISO WIRE AND MATED TO MX123 2.8MM BLADE: 25.6 AMPS AT 125°C

6. CONTACT MOLEX AUTOMOTIVE FOR AVAILABLE CUSTOM PATTERNS OF CAVITIES OPEN FOR CIRCUITS - SEE GM DRAWING 13507496



PAGE TITLE
NOTES

DRAWING NUMBER

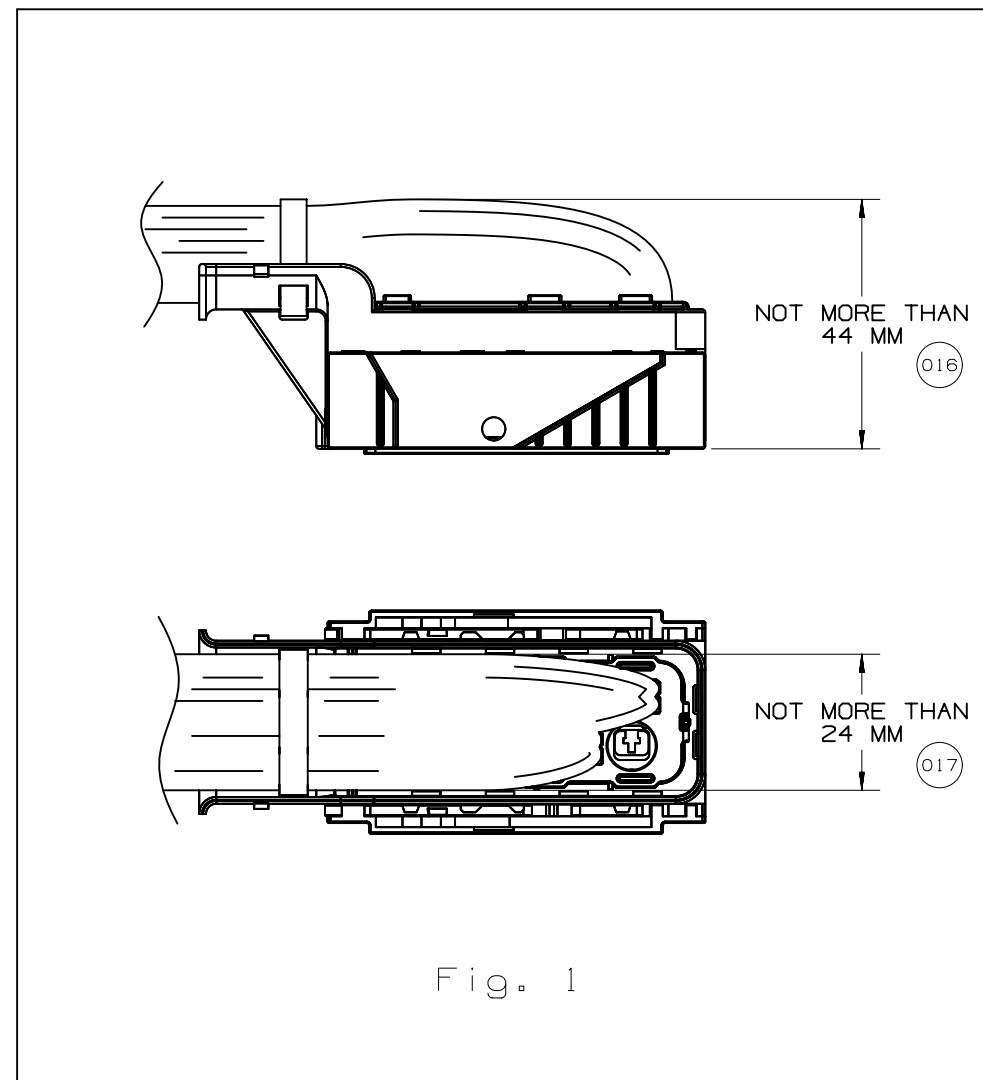
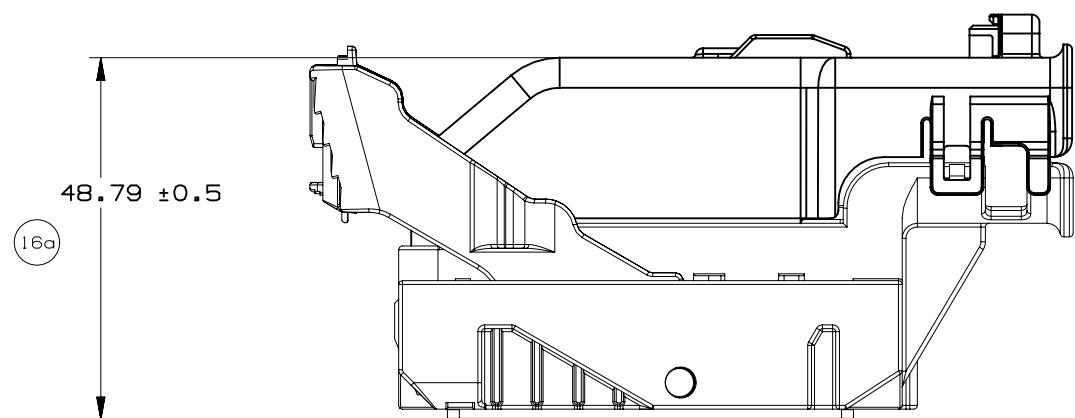
12672833

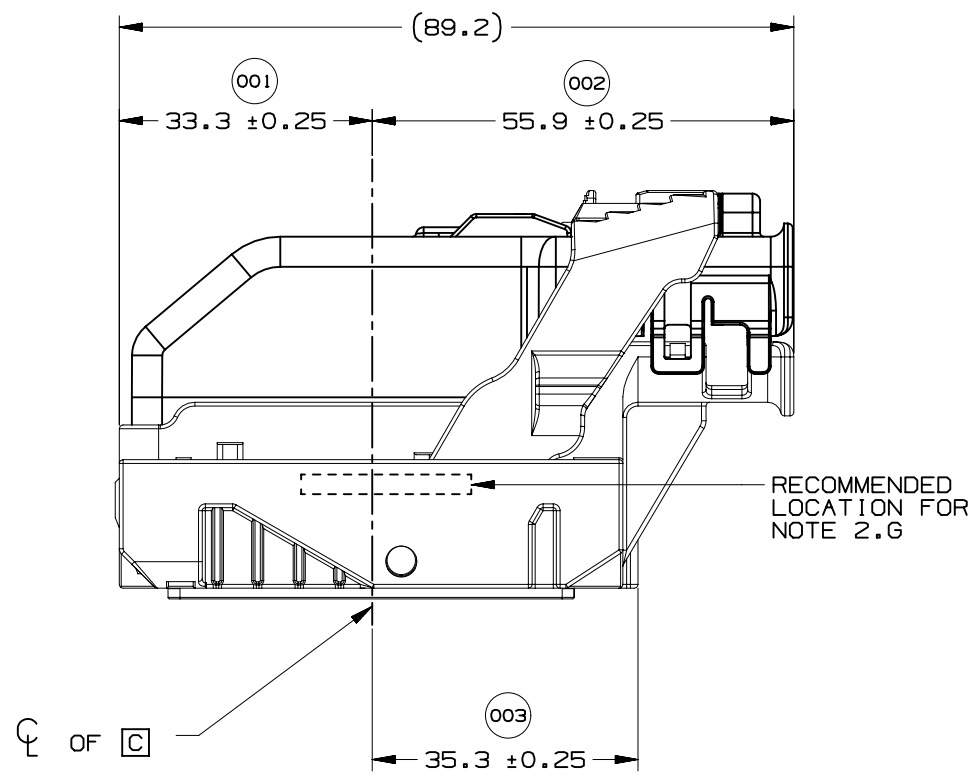
DWG STATUS

ST	REV	PDI
R	001	

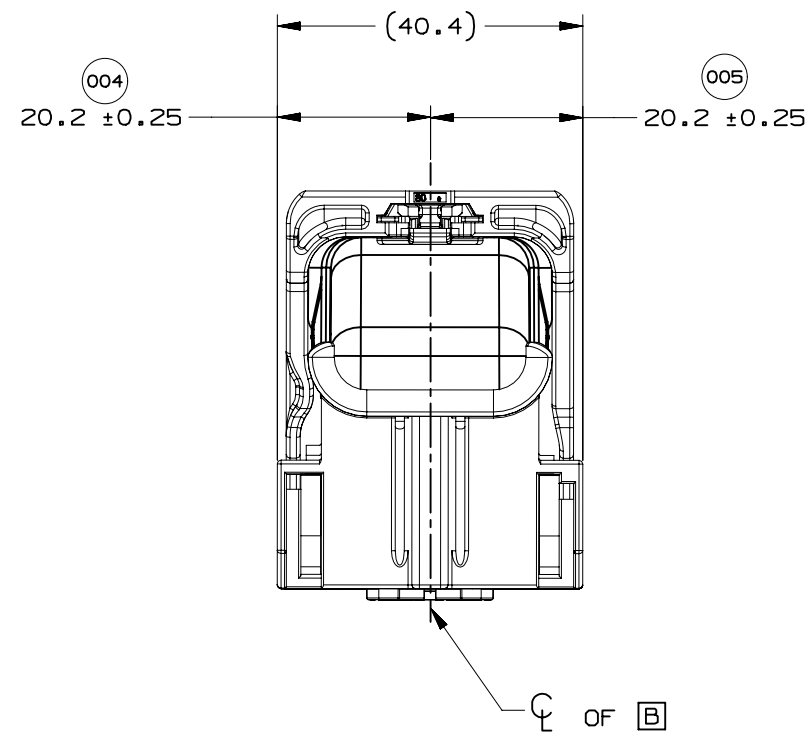
PAGE NUMBER

7 OF 22

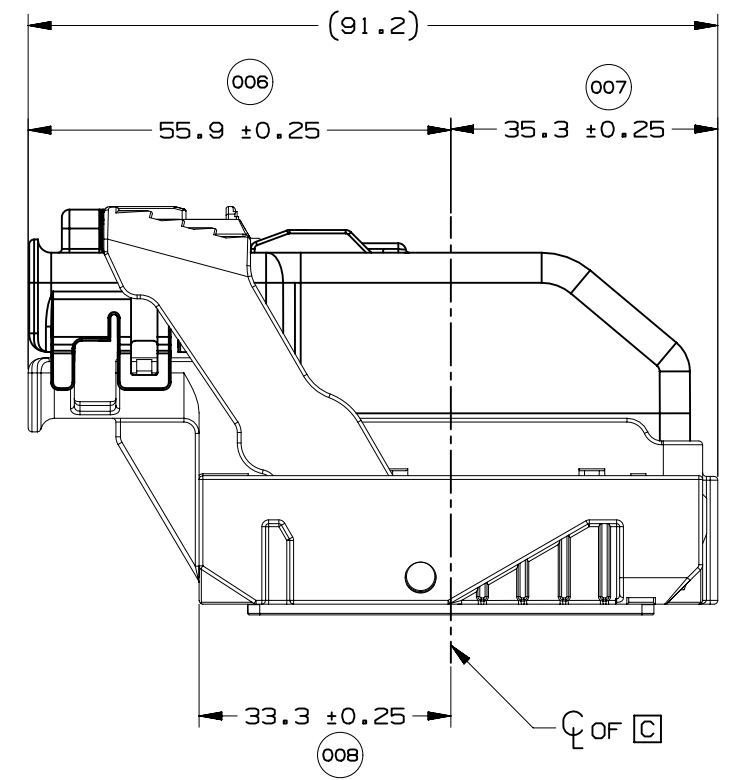




WIRE DRESS OPTION 0 SHOWN

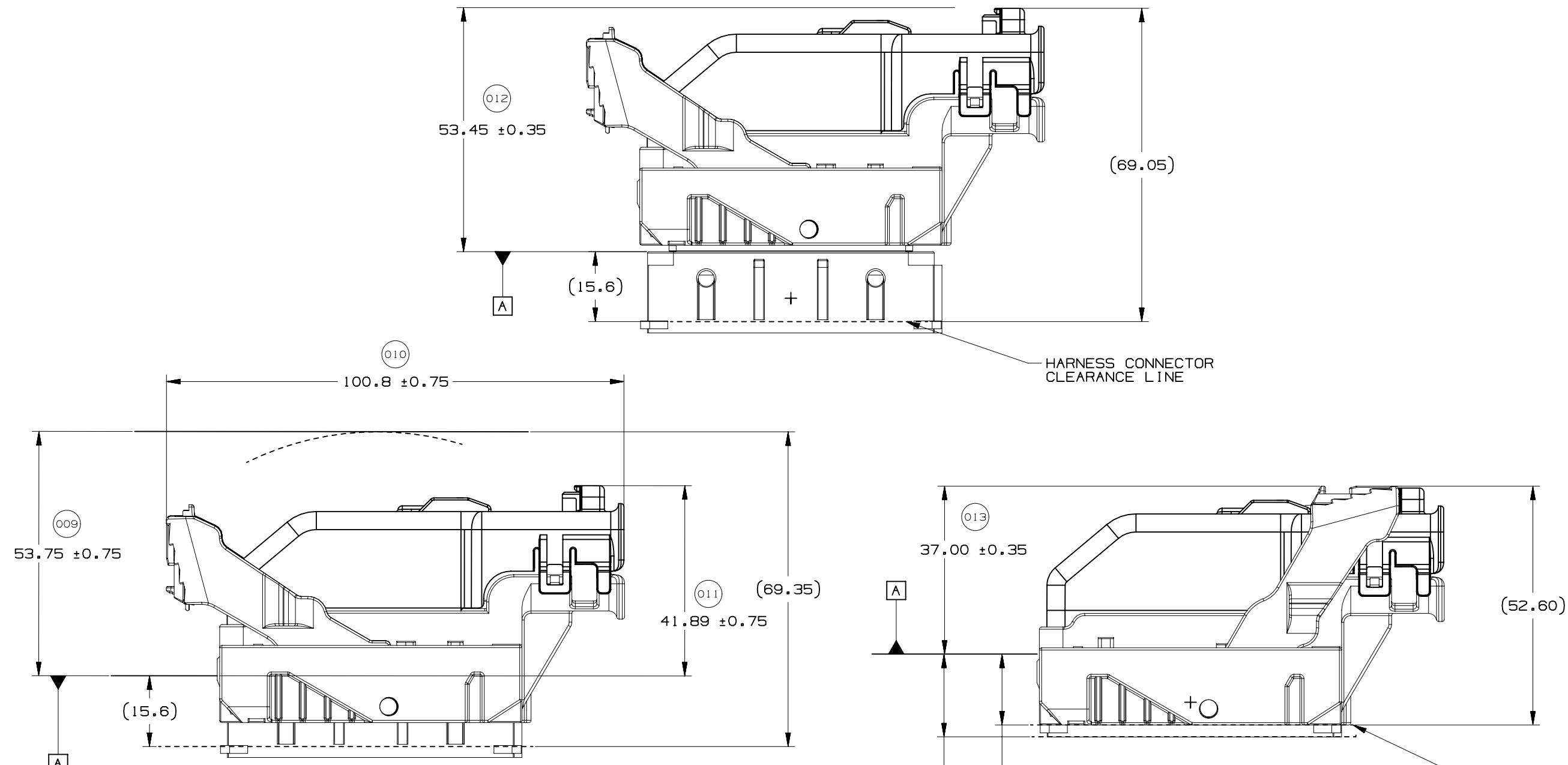


WIRE DRESS OPTION 0 SHOWN



WIRE DRESS OPTION 9 SHOWN





HARNESS CONNECTOR CLEARANCE LINE

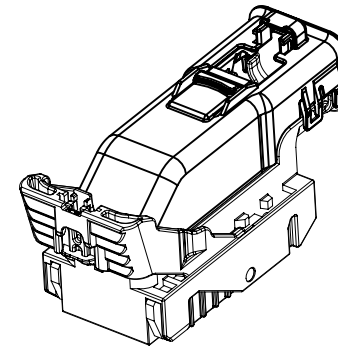
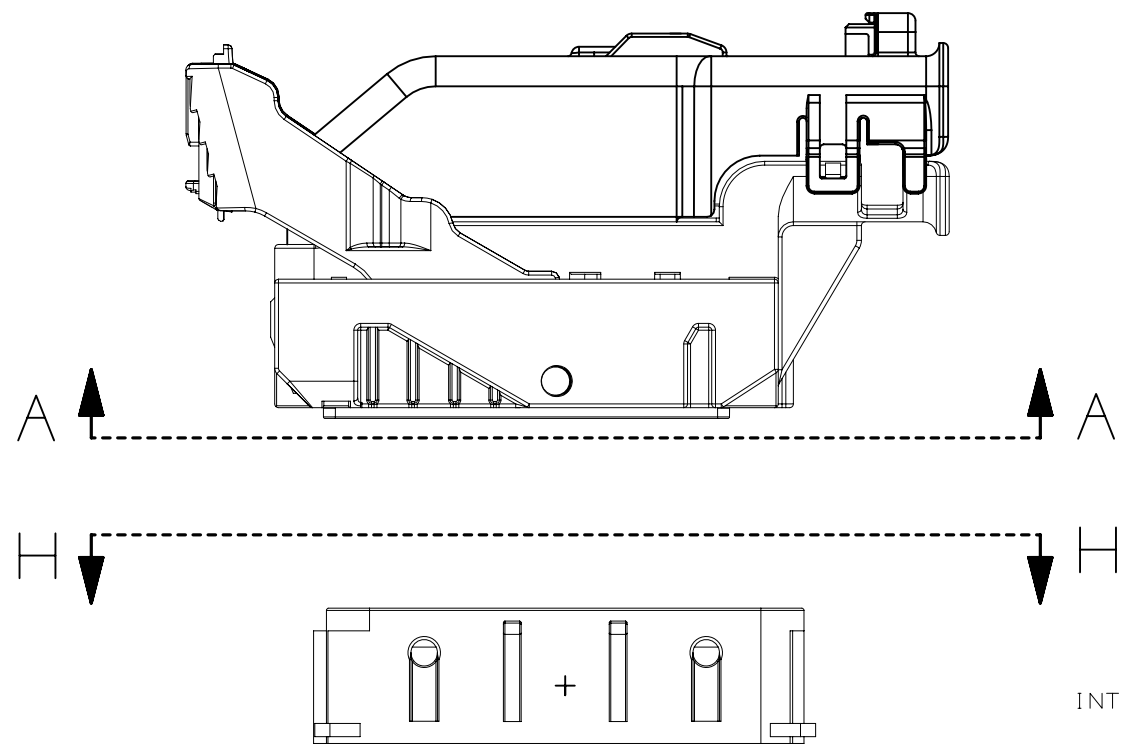
HARNESS CONNECTOR ASSEMBLY IN FULLY-MATED POSITION

HARNESS CONNECTOR CLEARANCE LINE

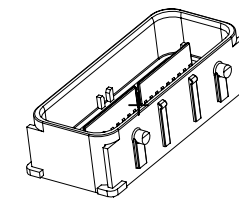
15.6 MIN. ALL AROUND CLEARANCE REQUIRED FOR HARNESS CONNECTOR (014)

17.9 MIN. AT PAD LOCATION CLEARANCE REQUIRED FOR HARNESS CONNECTOR CONSTRUCTION BELOW THIS PLANE IS NOT CONTROLLED (015)

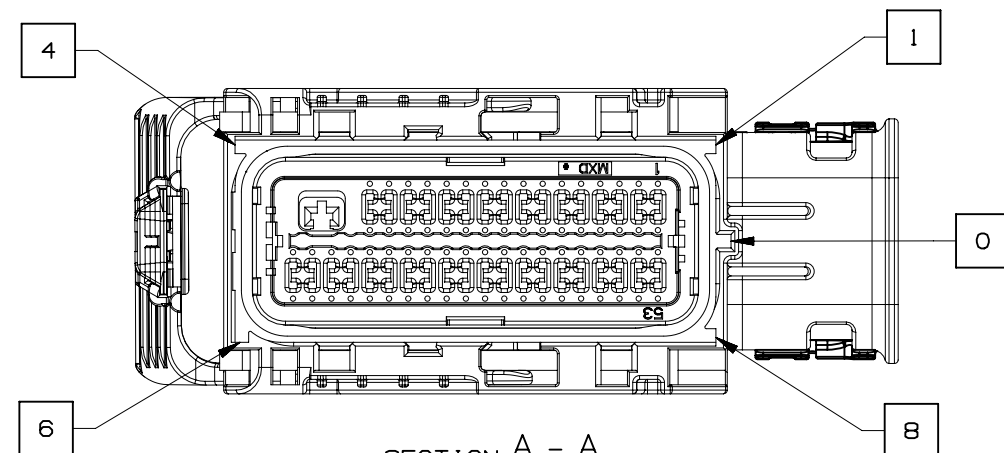
	PAGE TITLE LOCATION AND PACKAGING DIMENSIONS REFERENCING INTERFACE DATUM A	DRAWING NUMBER 12672833	DWG STATUS			PAGE NUMBER	
			ST	REV	PD1	10	OF 22
			R	001			



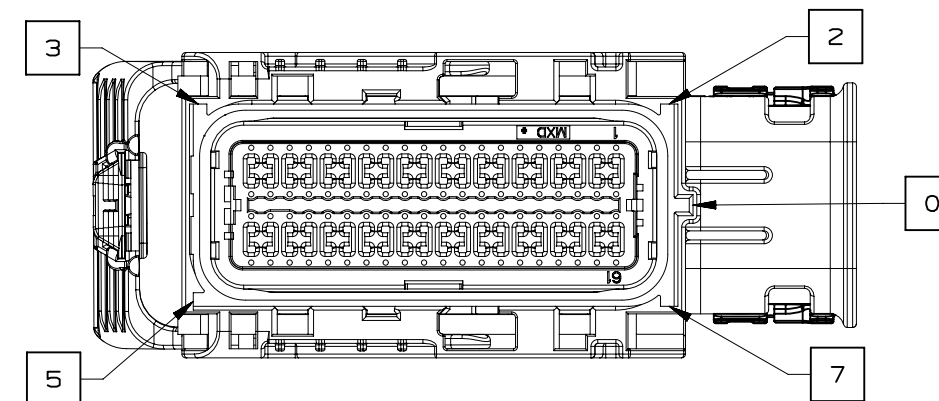
NOTE: REFERENCE THE COMPONENT TABLE FOR KEY OPTIONS AND CONFIGURATIONS



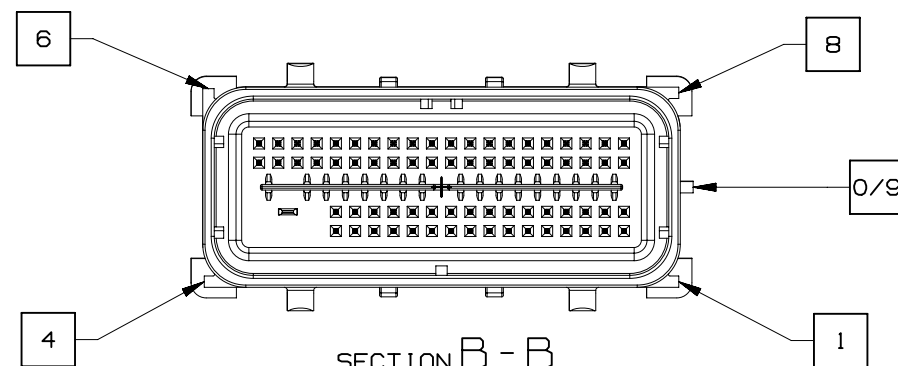
INTERFACE SIDE SHOWN ON ALL SECTION VIEWS



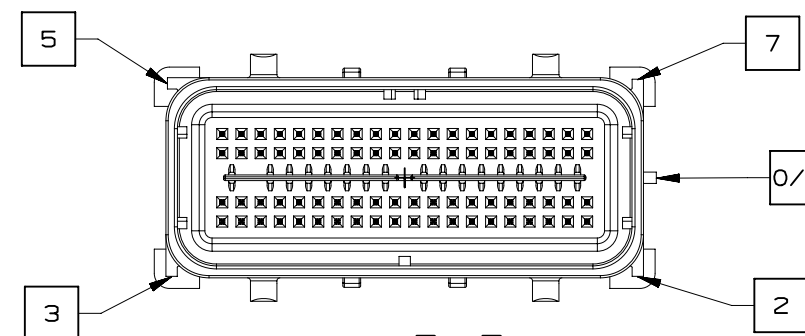
SECTION A - A
73 CKT HARNESS CONNECTOR ASSEMBLY
KEY OPTION B SHOWN



SECTION A - A
80 CKT HARNESS CONNECTOR ASSEMBLY
KEY OPTION K SHOWN



SECTION B - B
73 CKT HARNESS CONNECTOR ASSEMBLY
KEY OPTION B SHOWN



SECTION B - B
80 CKT HARNESS CONNECTOR ASSEMBLY
KEY OPTION K SHOWN

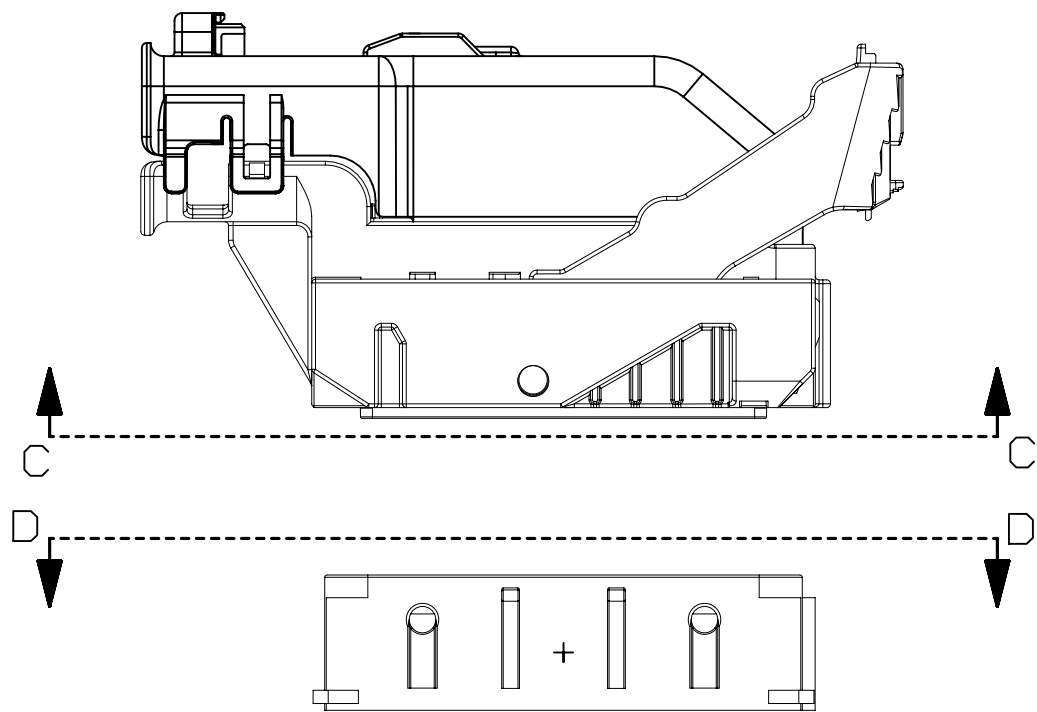


PAGE TITLE
KEY ID REF - WIRE DRESS OPTION 0

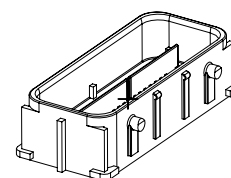
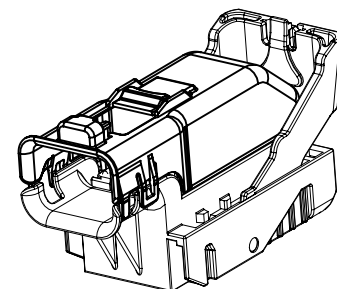
DRAWING NUMBER
12672833

DWG STATUS		
ST	REV	PD1
R	001	

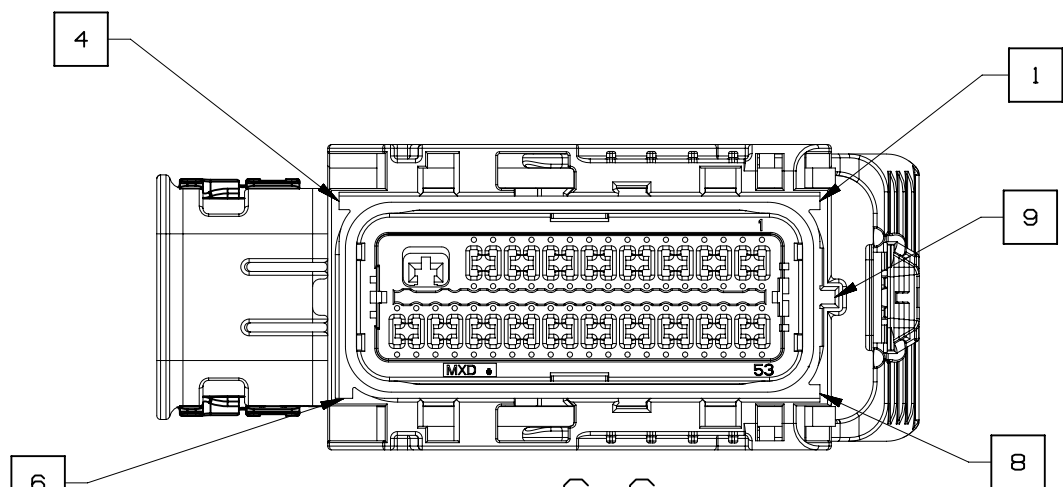
PAGE NUMBER
11 OF 22



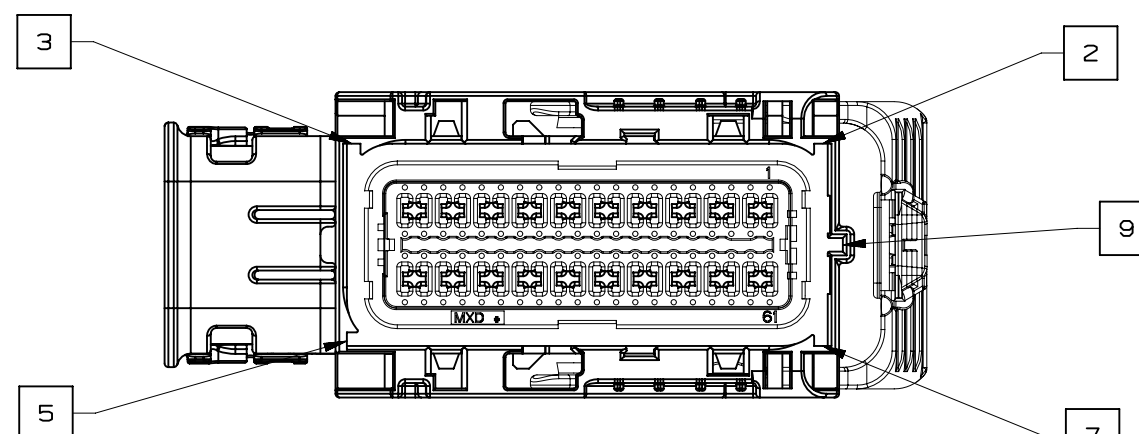
INTERFACE SIDE SHOWN ON ALL SECTION VIEWS



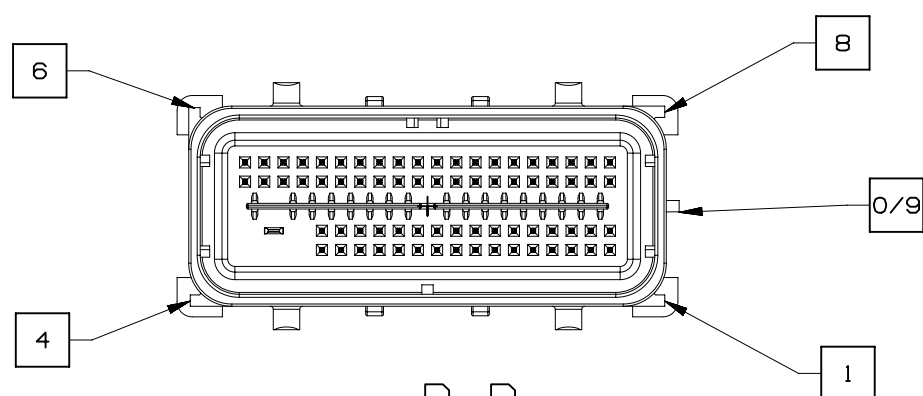
NOTE: REFERENCE THE COMPONENT TABLE FOR KEY OPTIONS AND CONFIGURATIONS



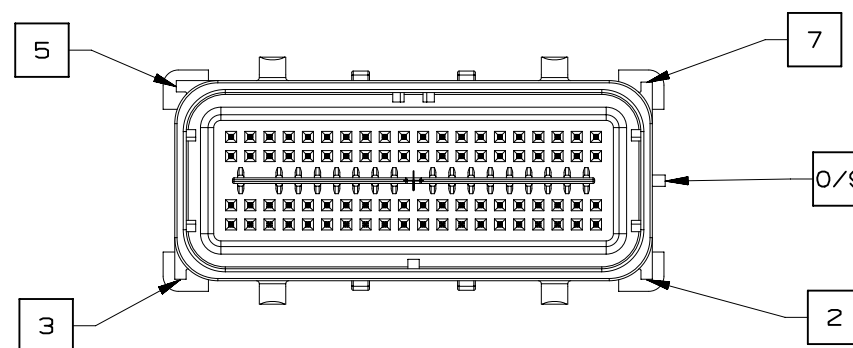
SECTION C - C
73 CKT HARNESS CONNECTOR ASSEMBLY
KEY OPTION B SHOWN



SECTION C - C
80 CKT HARNESS CONNECTOR ASSEMBLY
KEY OPTION K SHOWN



SECTION D - D
73 CKT HARNESS CONNECTOR ASSEMBLY
KEY OPTION B SHOWN



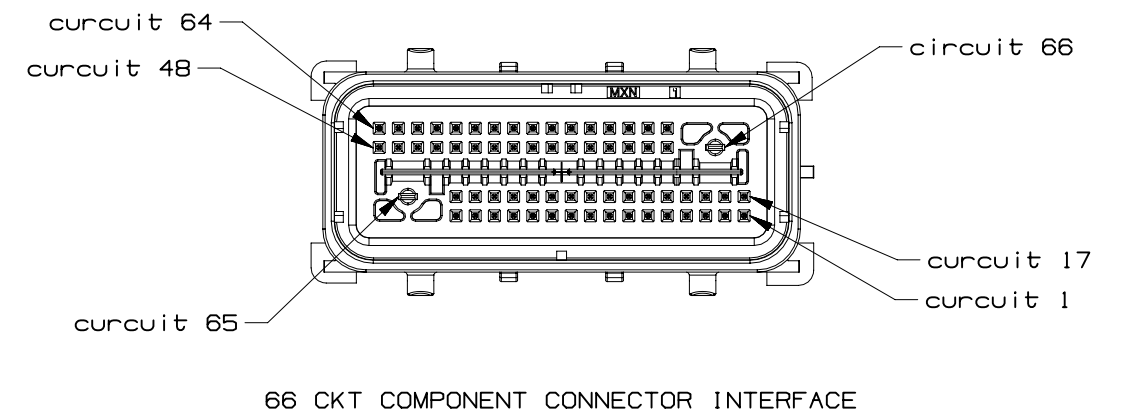
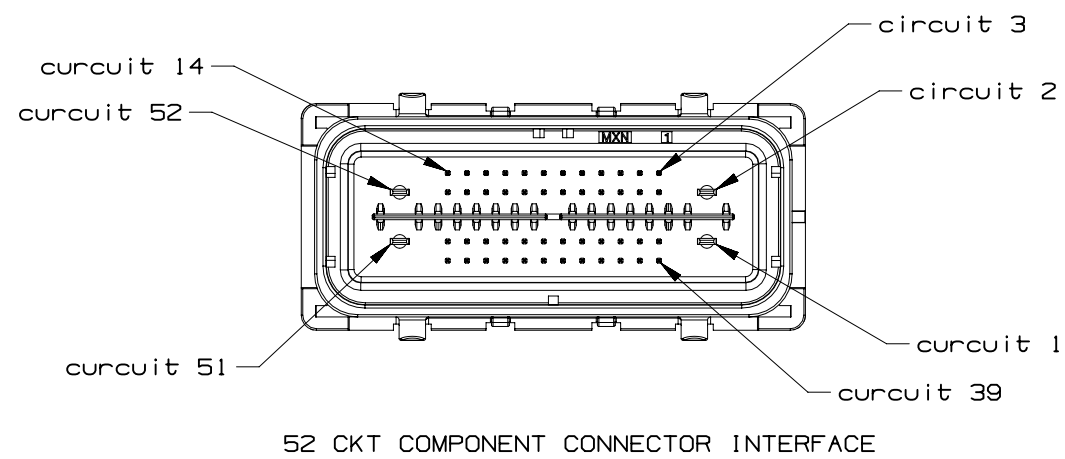
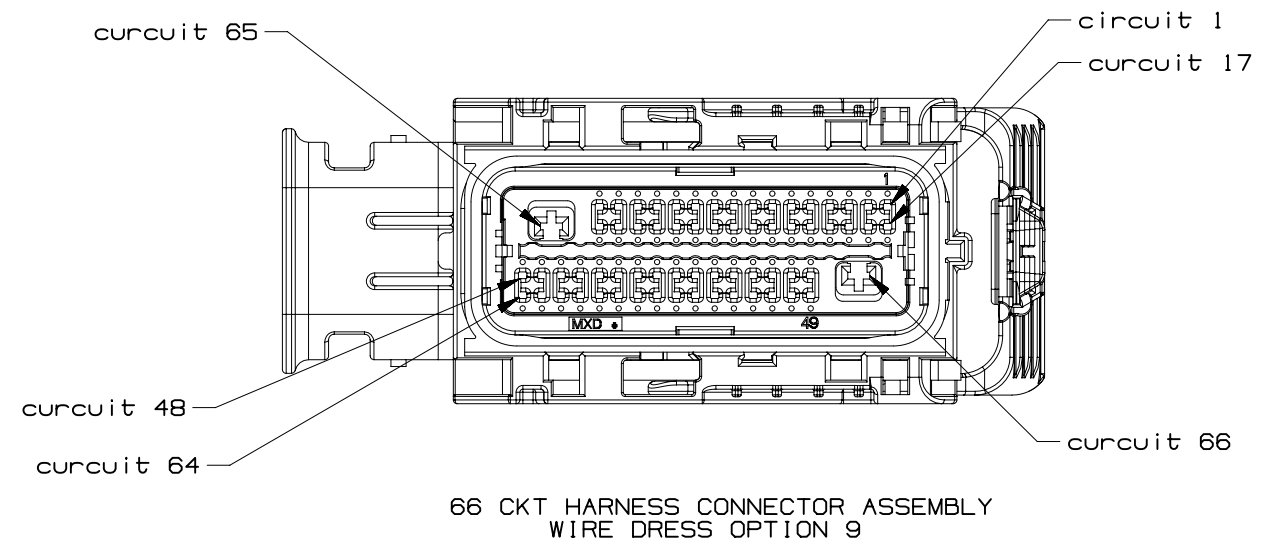
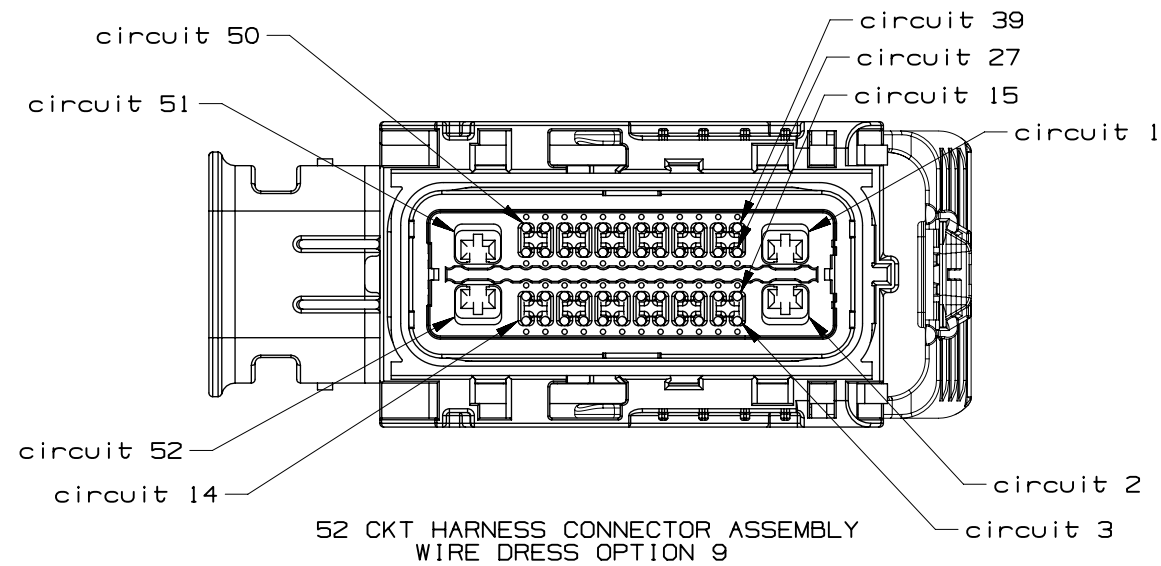
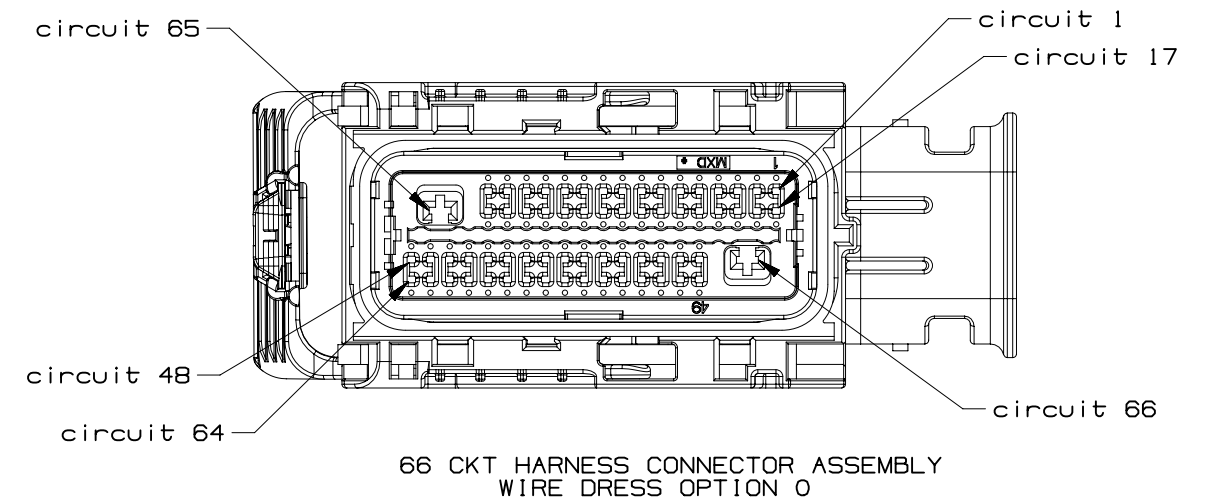
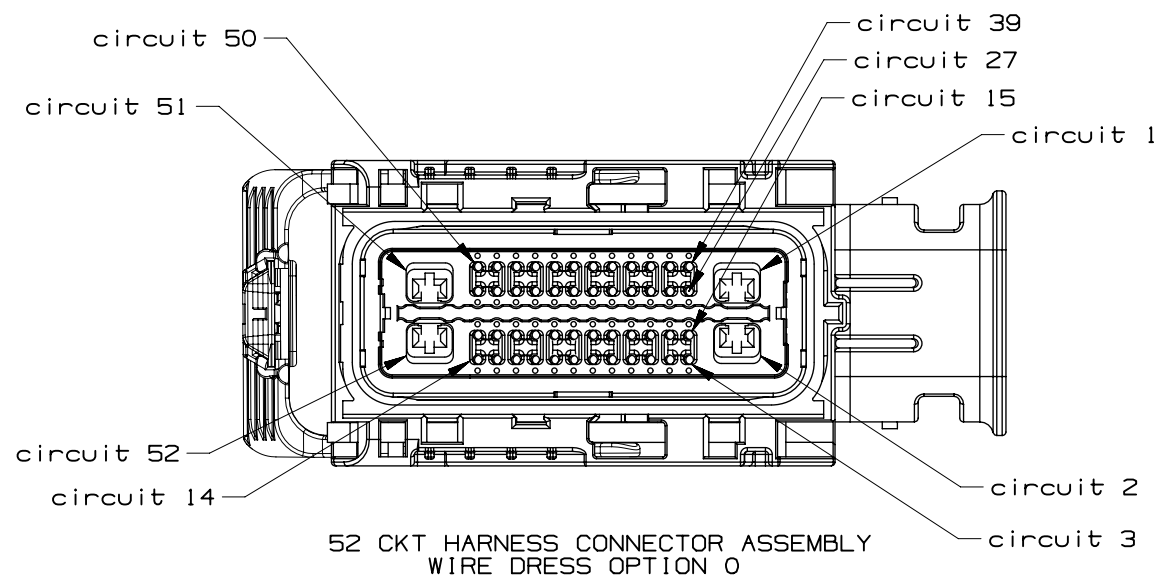
SECTION D - D
80 CKT HARNESS CONNECTOR ASSEMBLY
KEY OPTION K SHOWN

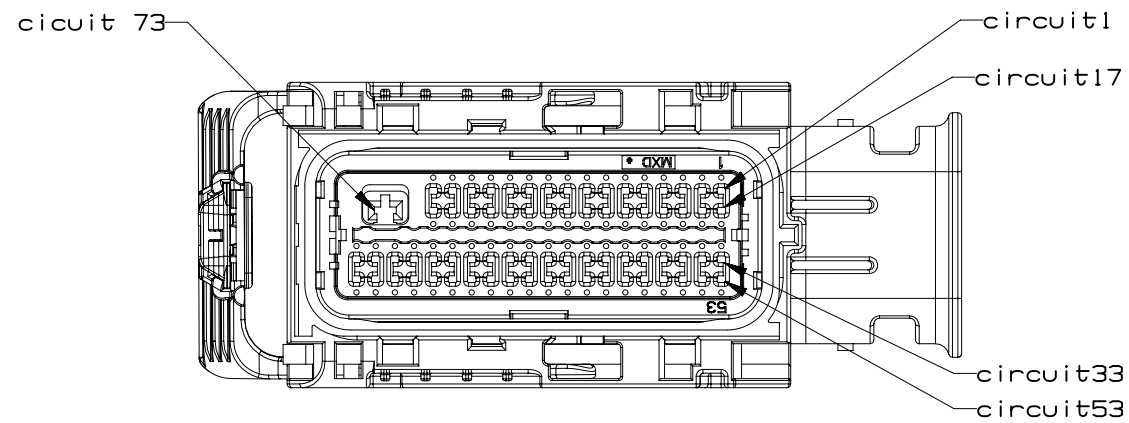


PAGE TITLE
KEY ID REF - WIRE DRESS OPTION 9

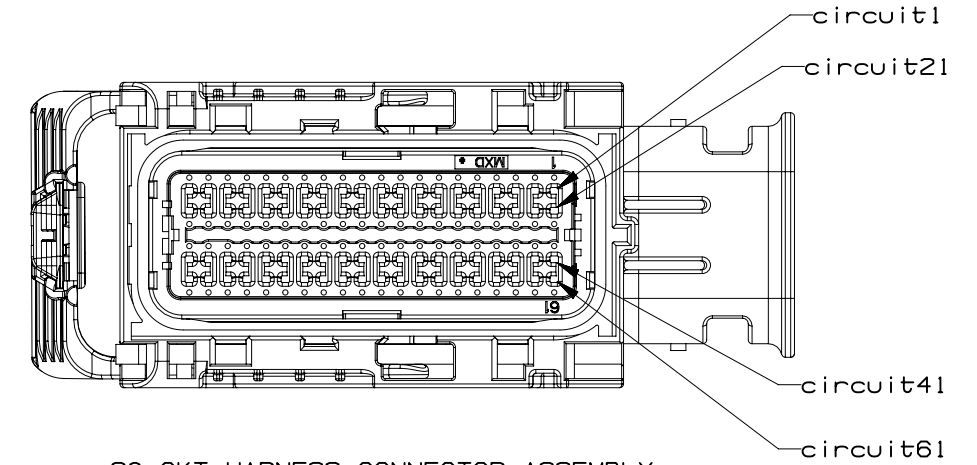
DRAWING NUMBER
12672833

DWG STATUS			PAGE NUMBER
ST	REV	PD1	
R	001		12 OF 22



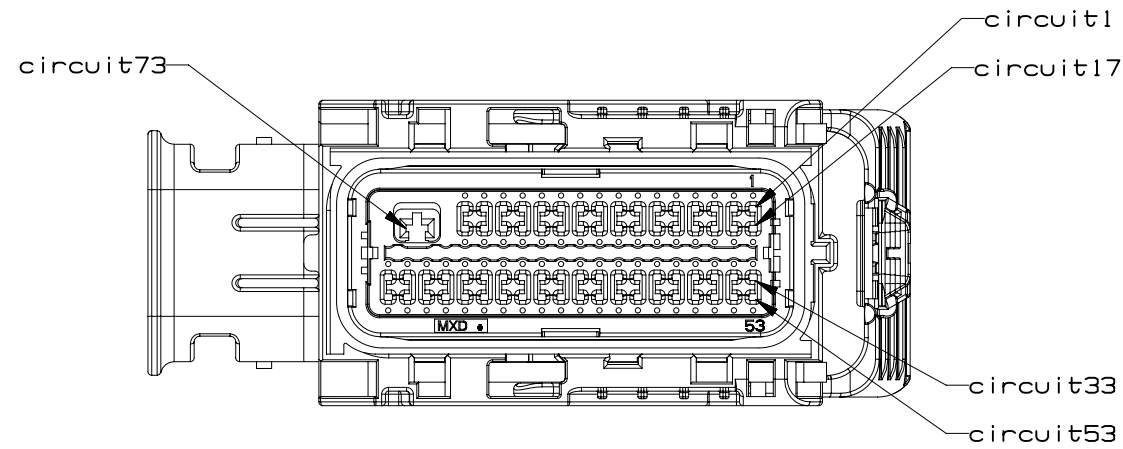


73 CKT HARNESS CONNECTOR ASSEMBLY
WIRE DRESS OPTION 0

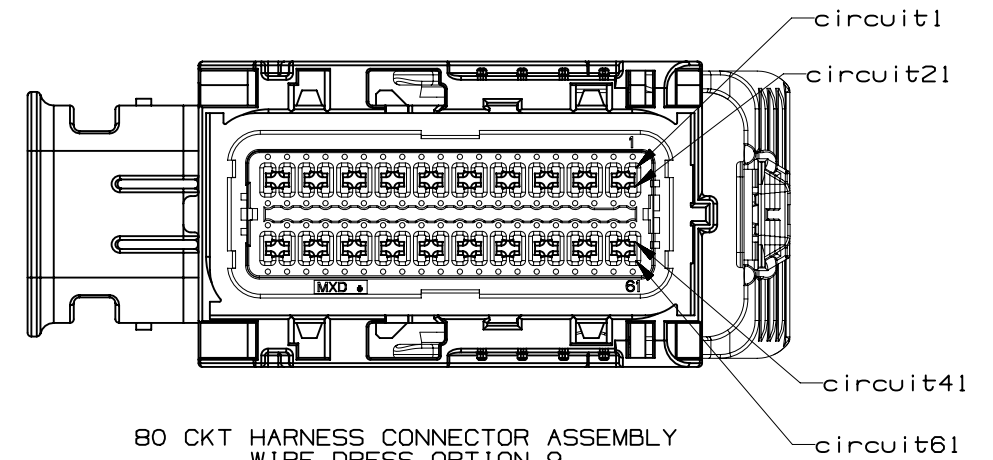


80 CKT HARNESS CONNECTOR ASSEMBLY
WIRE DRESS OPTION 0

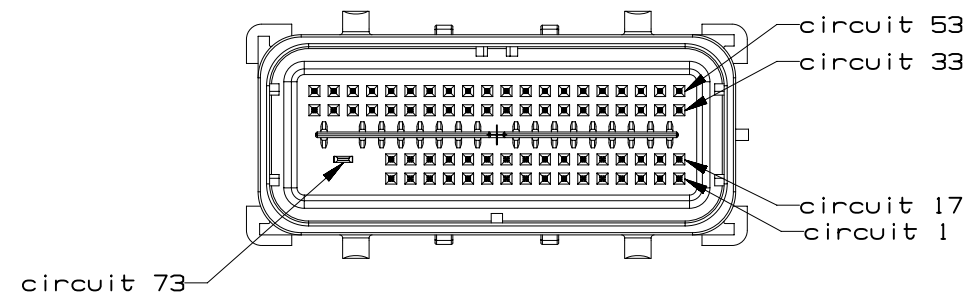
INTERFACE SIDE SHOWN ON ALL VIEWS



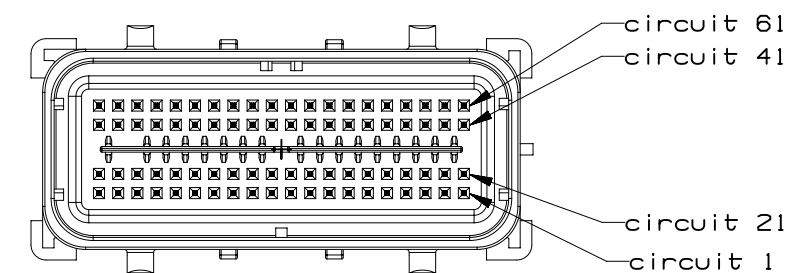
73 CKT HARNESS CONNECTOR ASSEMBLY
WIRE DRESS OPTION 9



80 CKT HARNESS CONNECTOR ASSEMBLY
WIRE DRESS OPTION 9

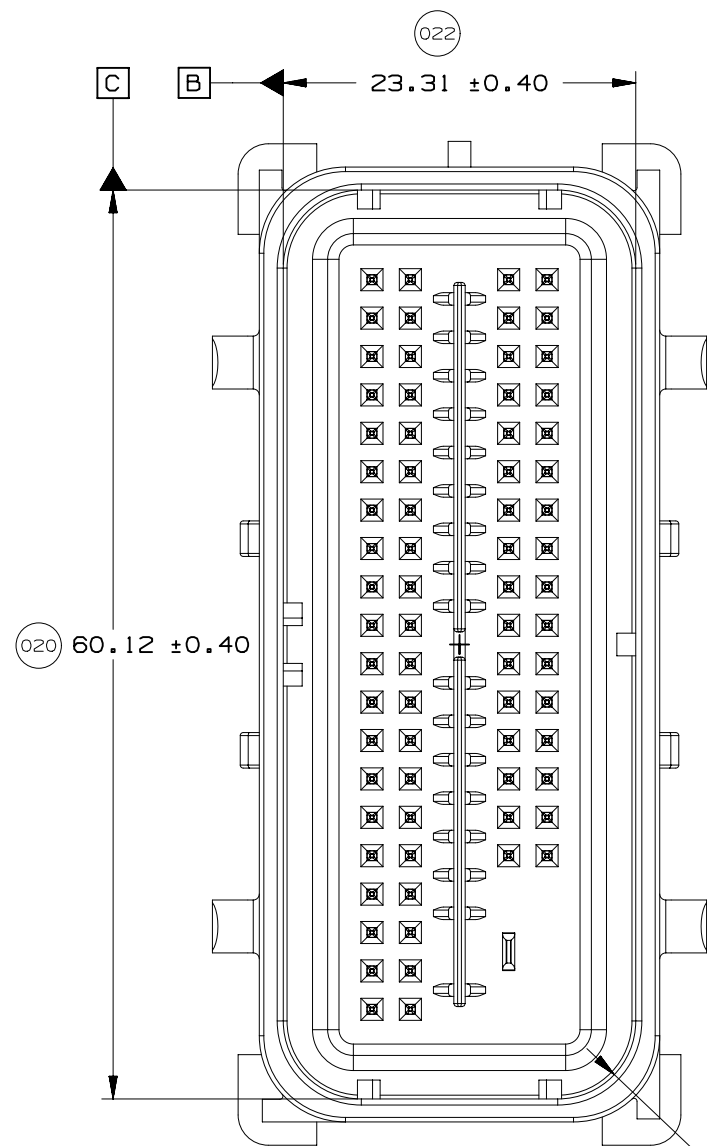
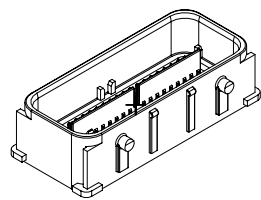


73 CKT COMPONENT CONNECTOR INTERFACE

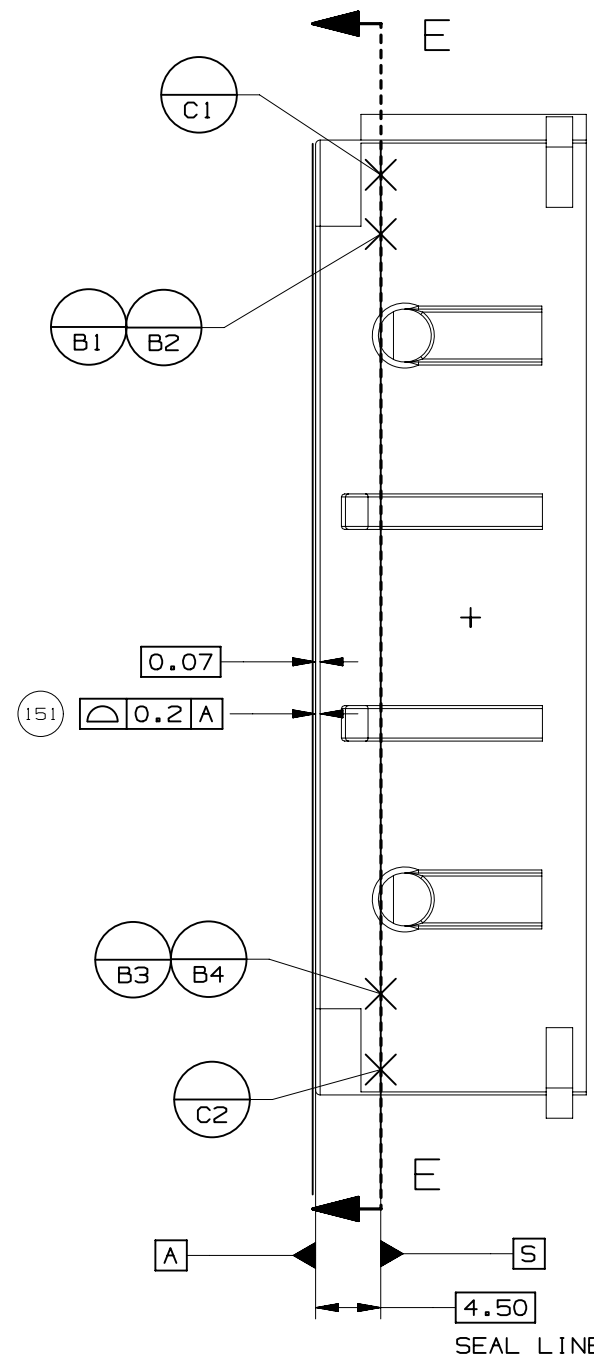


80 CKT COMPONENT CONNECTOR INTERFACE

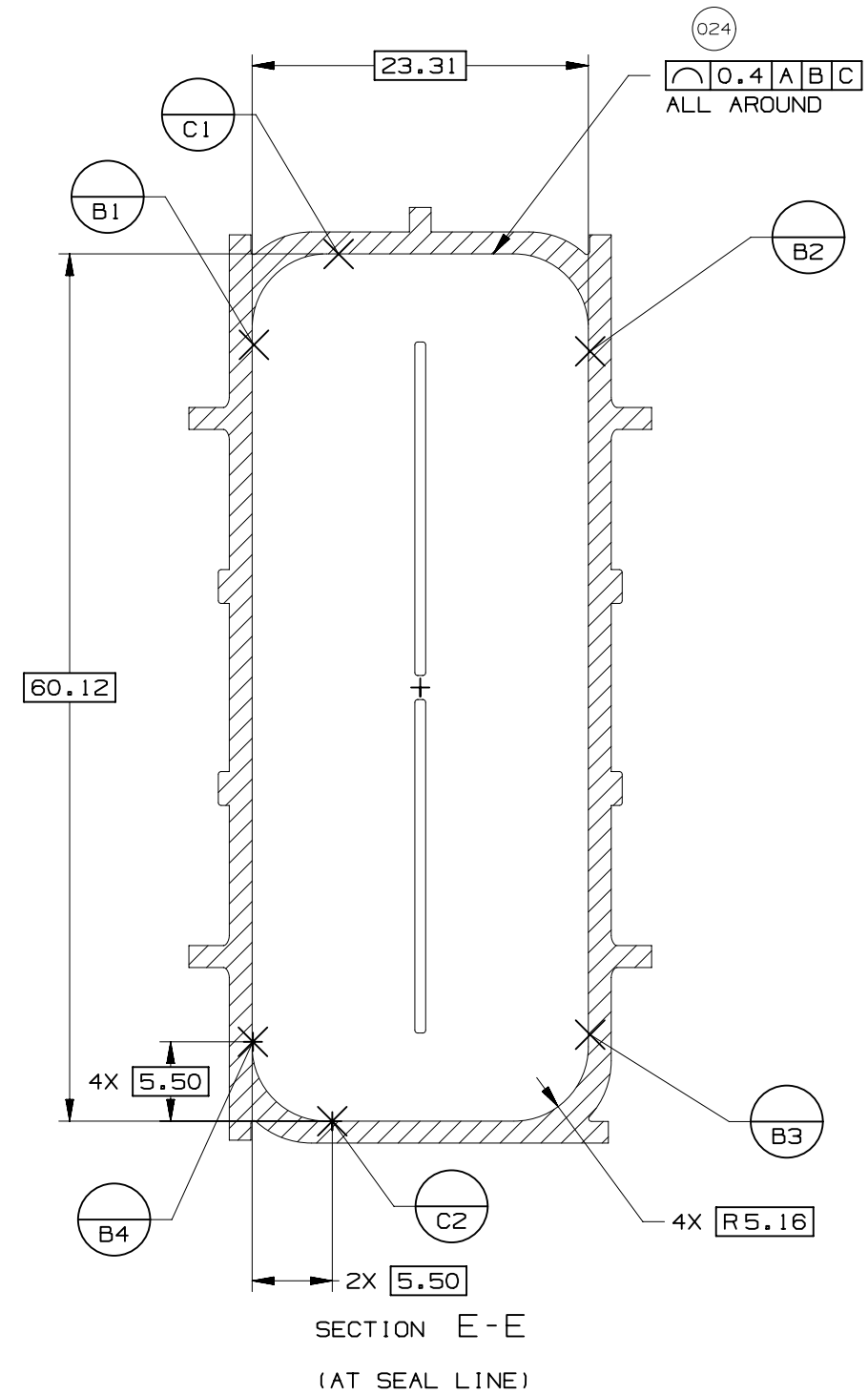




4X R5.16 ± 0.30



SEAL LINE



SECTION E-E
(AT SEAL LINE)

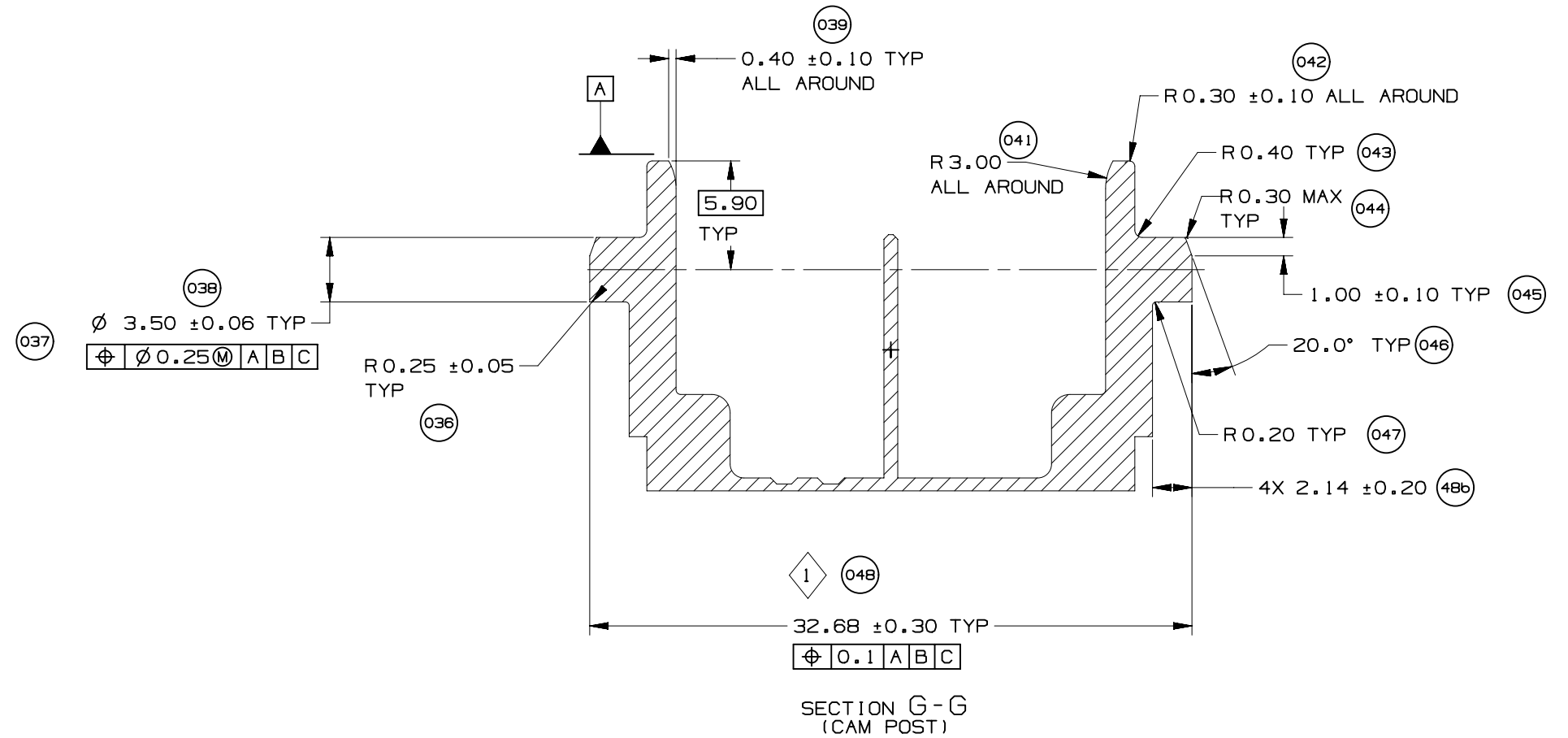
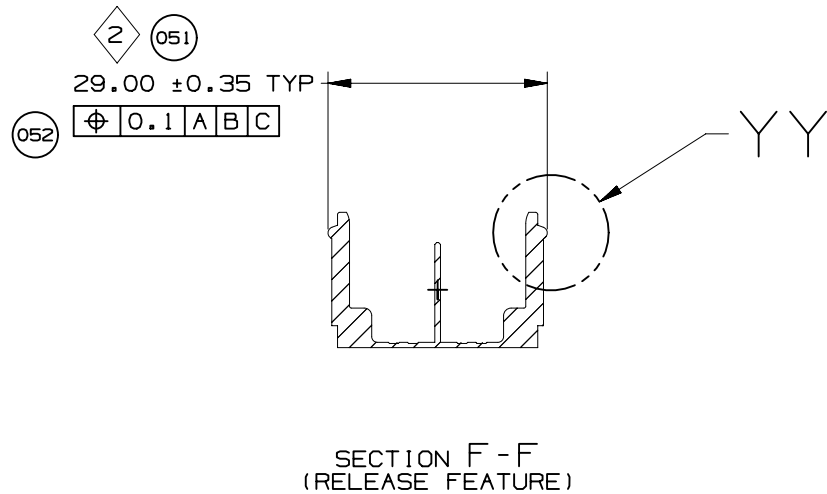
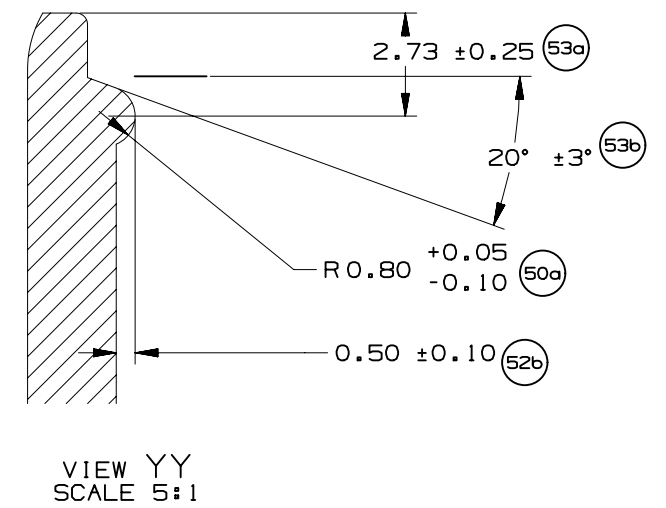
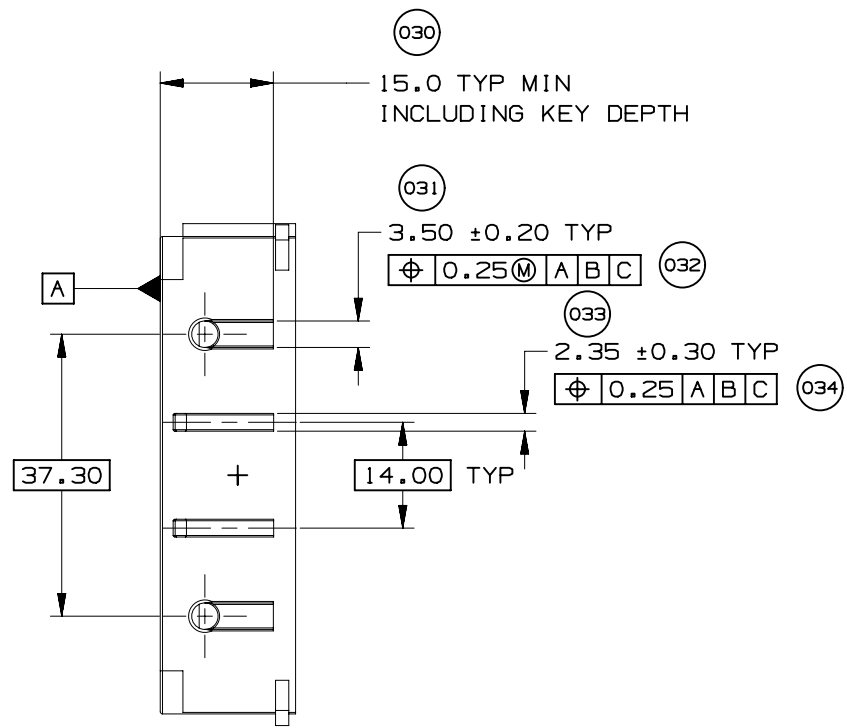
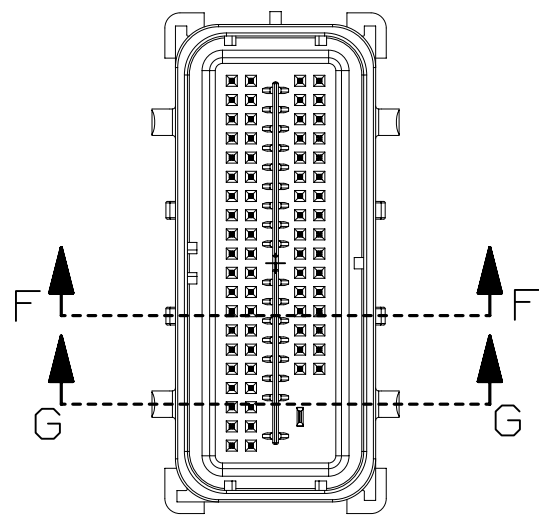
UNLESS SPECIFIED, TOLERANCE OF THE COMPONENT CONNECTOR INTERFACE TO BE $\sqrt[0.13]{A B C}$



PAGE TITLE
COMPONENT CONNECTOR INTERFACE

DRAWING NUMBER
12672833

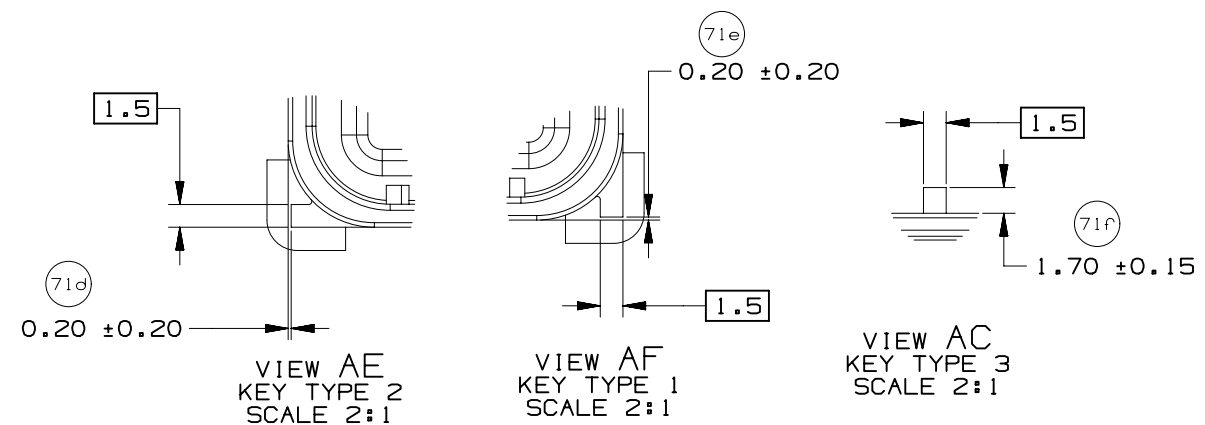
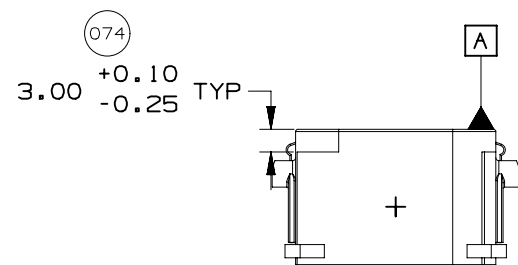
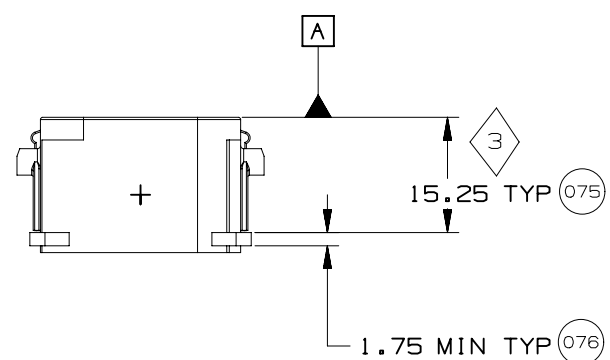
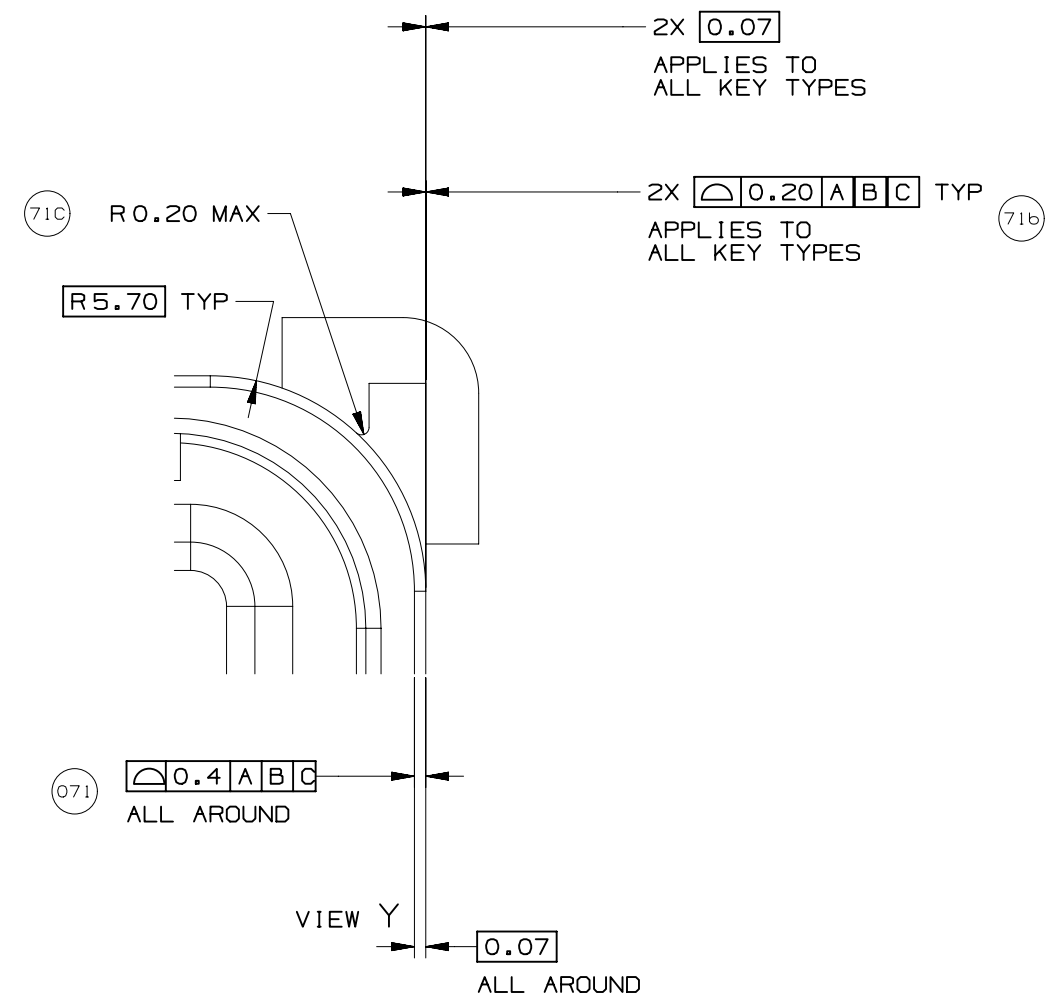
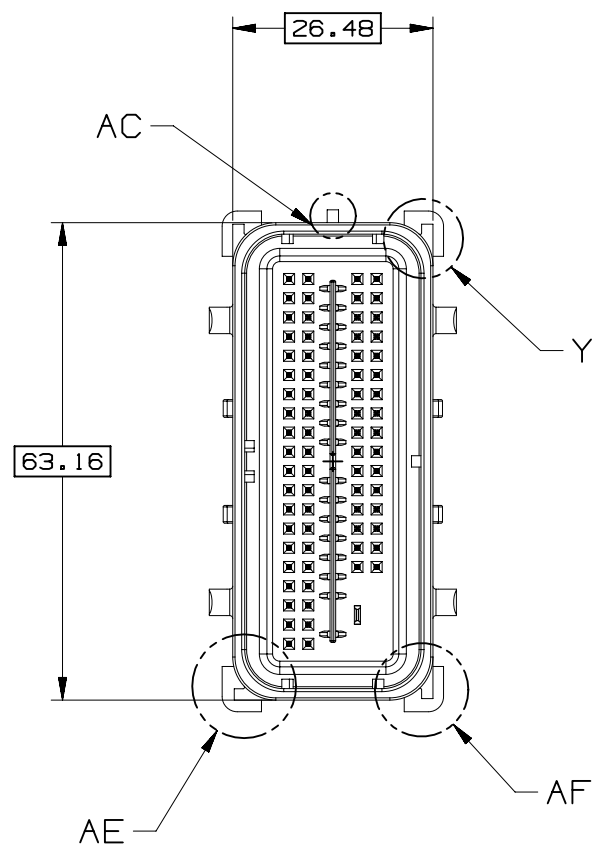
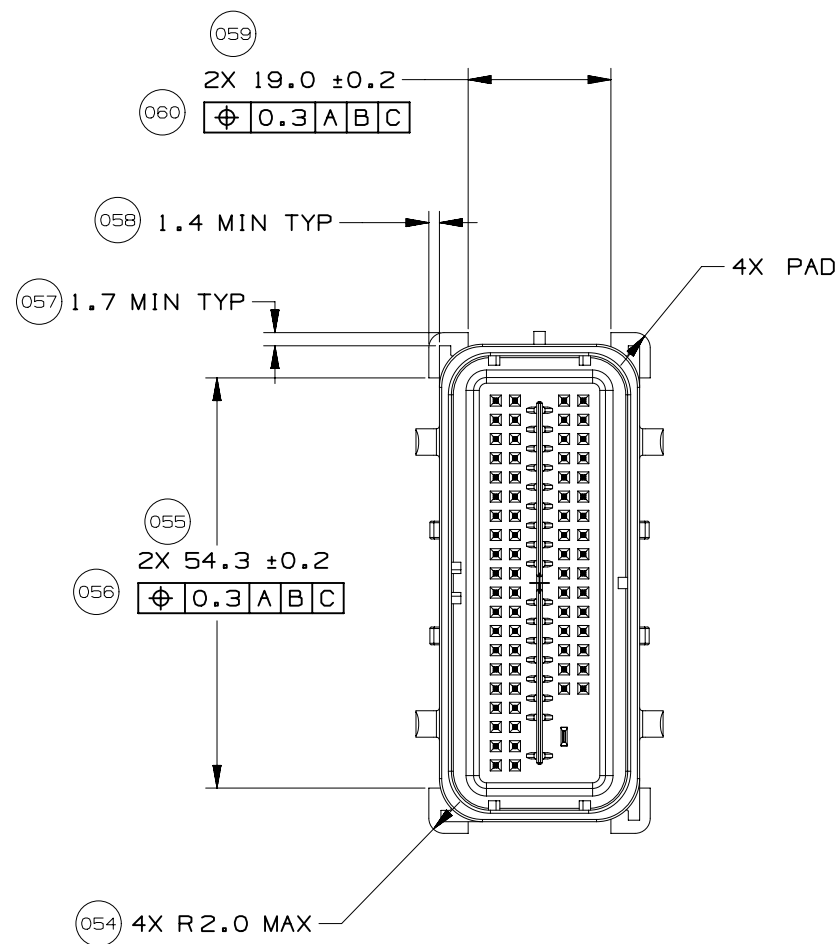
DWG STATUS			PAGE NUMBER
ST	REV	PD1	
R	001		15 OF 22



PAGE TITLE
COMPONENT CONNECTOR INTERFACE

DRAWING NUMBER
12672833

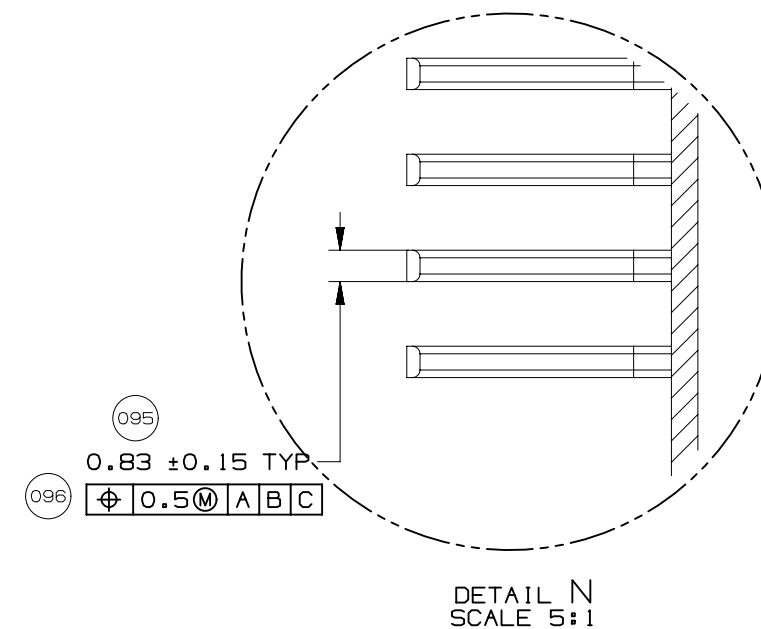
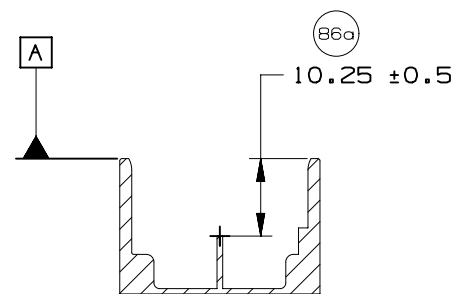
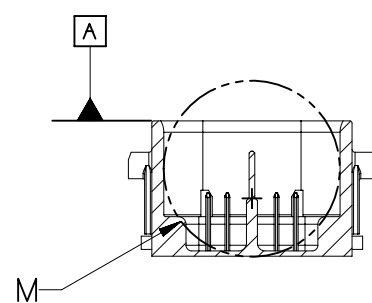
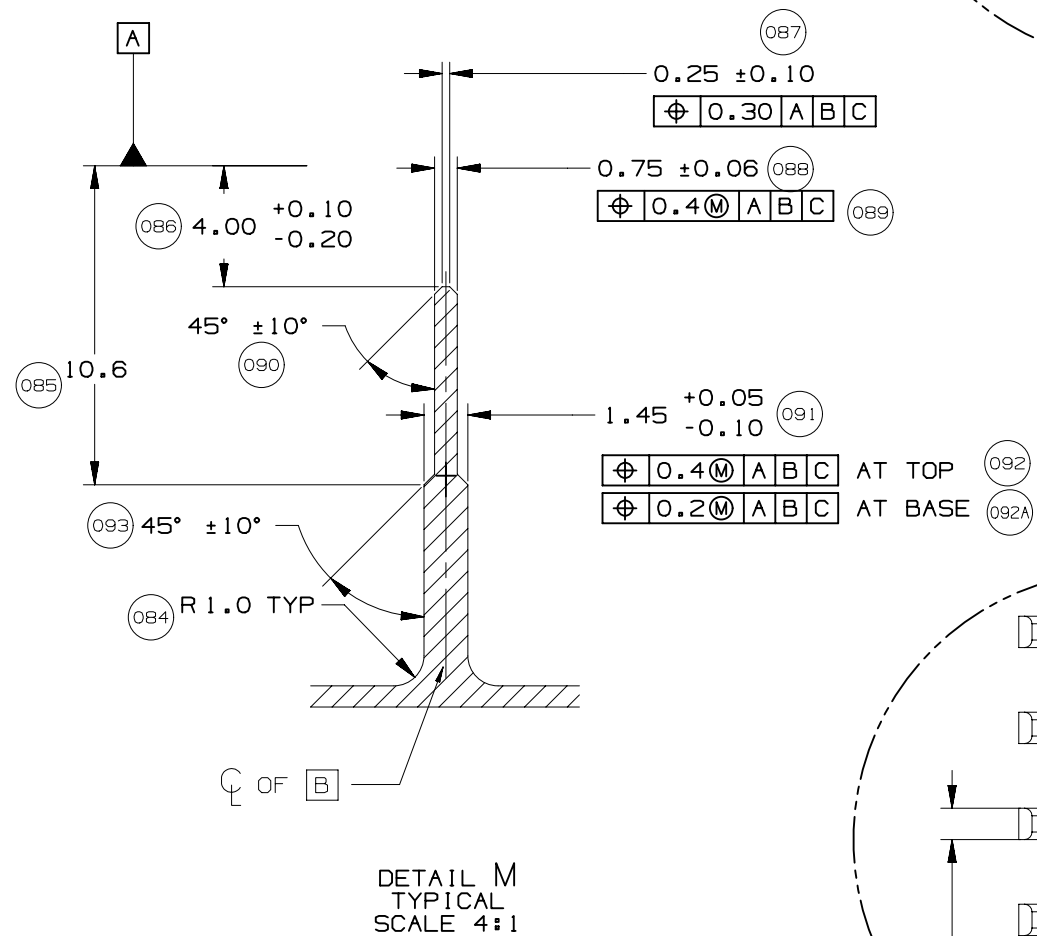
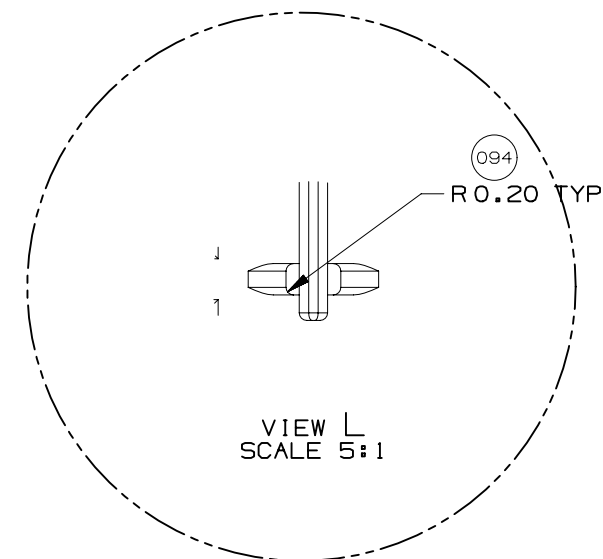
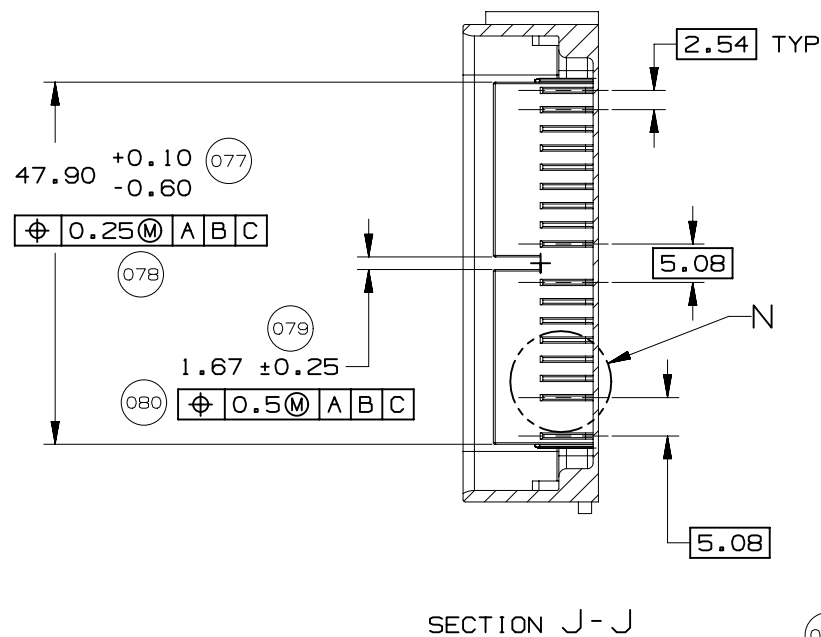
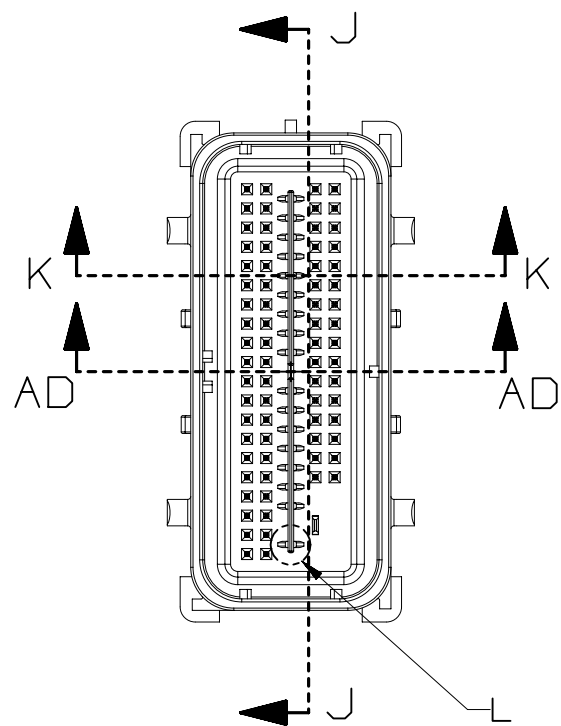
DWG STATUS			PAGE NUMBER
ST	REV	PDI	
R	001		16 OF 22

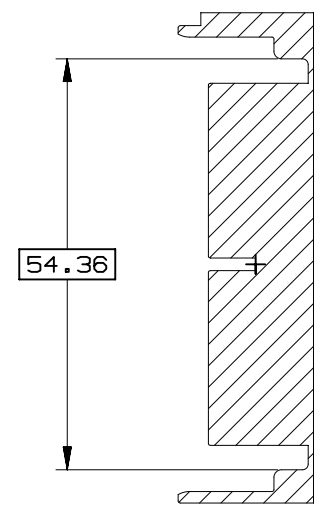
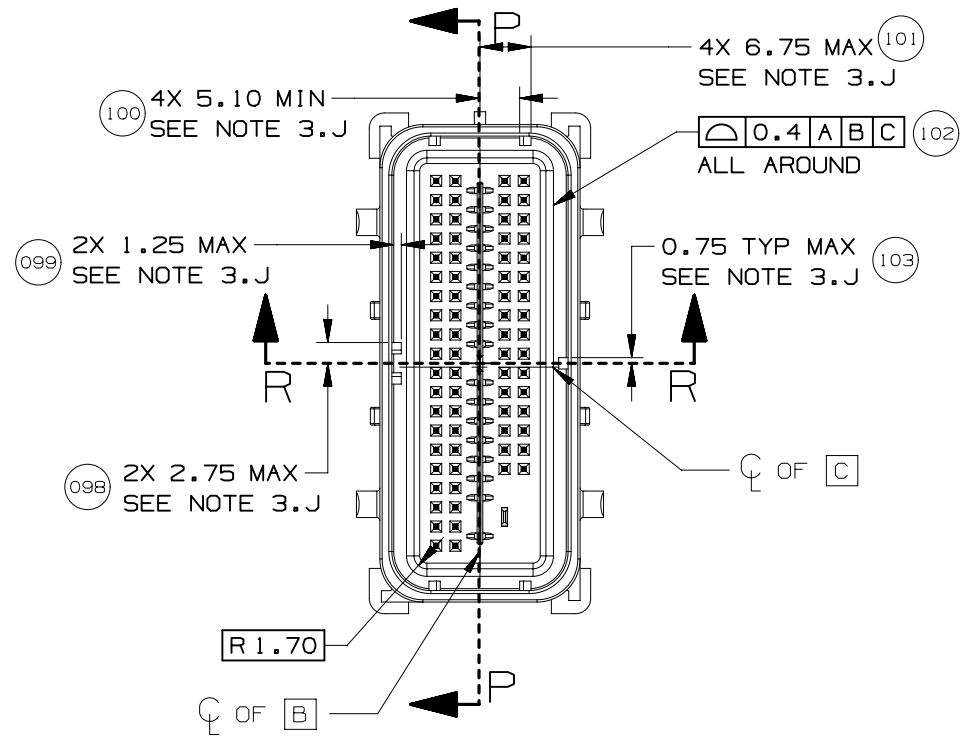


PAGE TITLE
 COMPONENT CONNECTOR INTERFACE

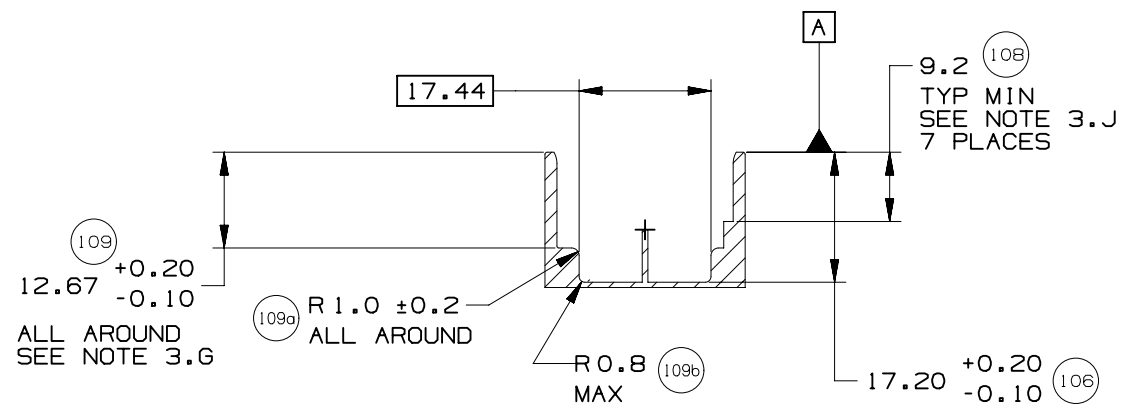
DRAWING NUMBER
 12672833

DWG STATUS			PAGE NUMBER	
ST	REV	PD1		
R	001		17	OF 22





SECTION P-P



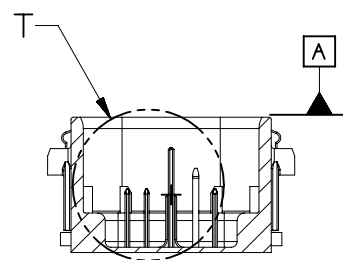
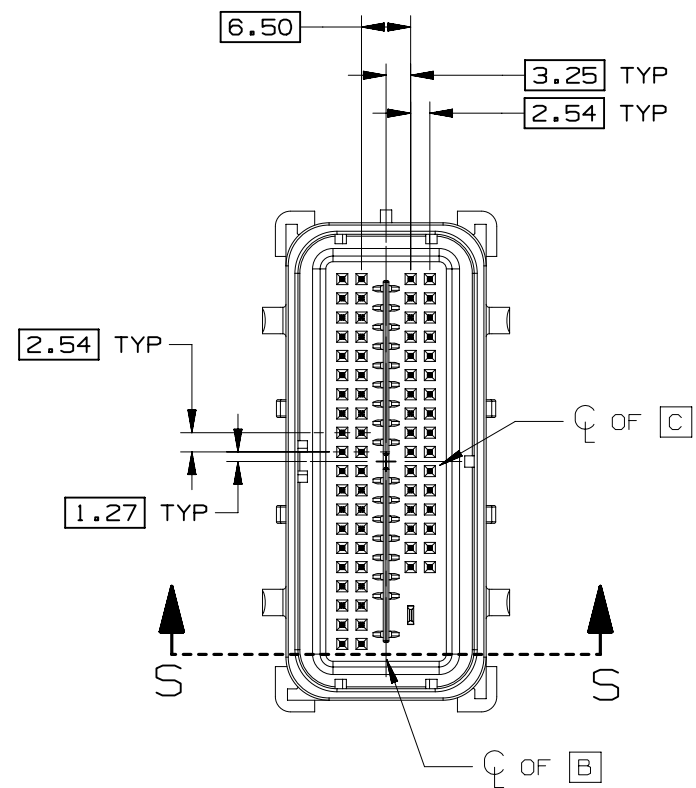
SECTION R-R



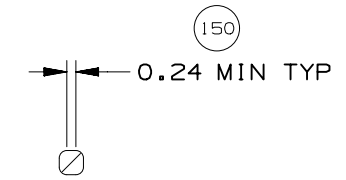
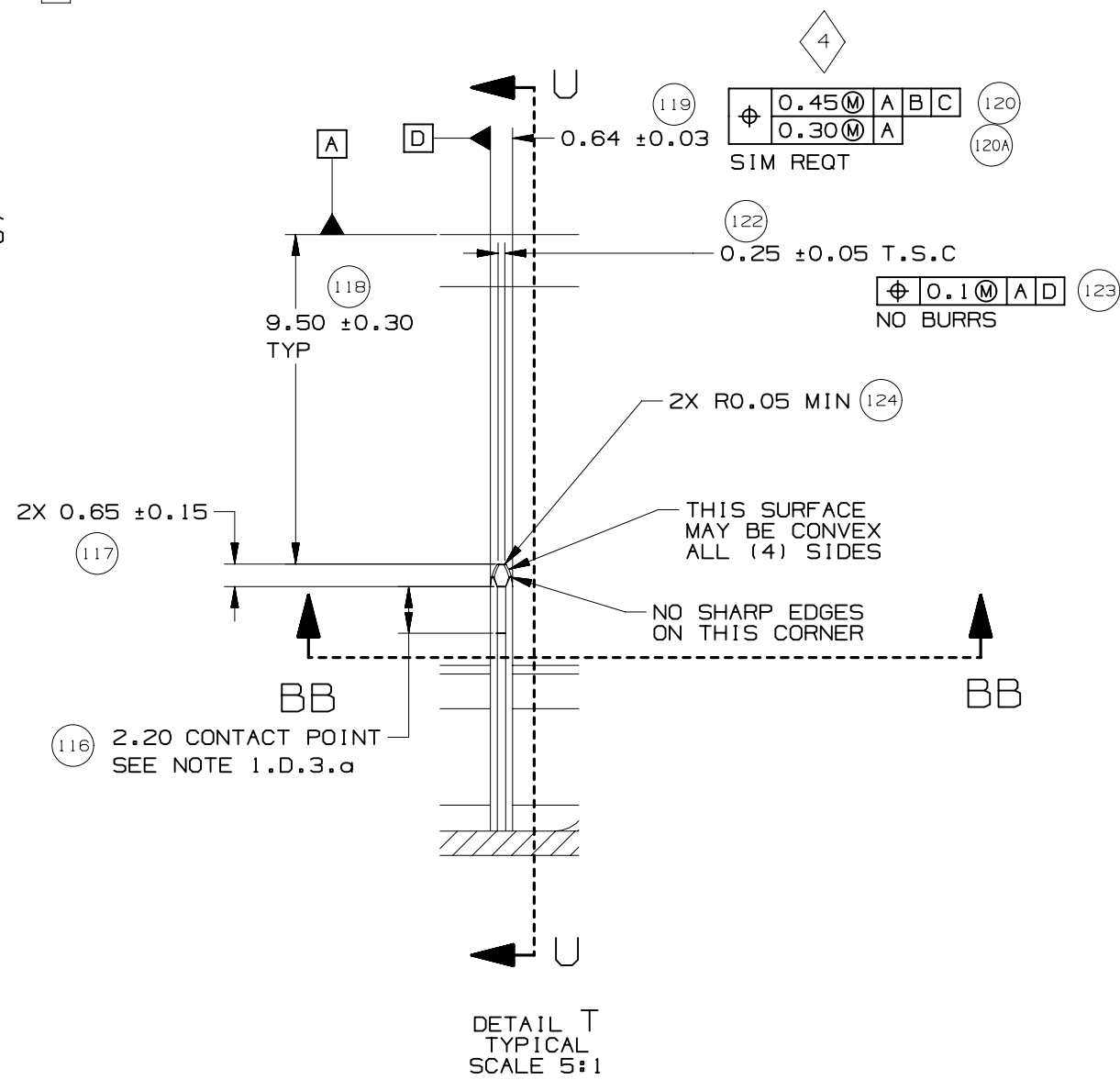
PAGE TITLE
COMPONENT CONNECTOR INTERFACE

DRAWING NUMBER
12672833

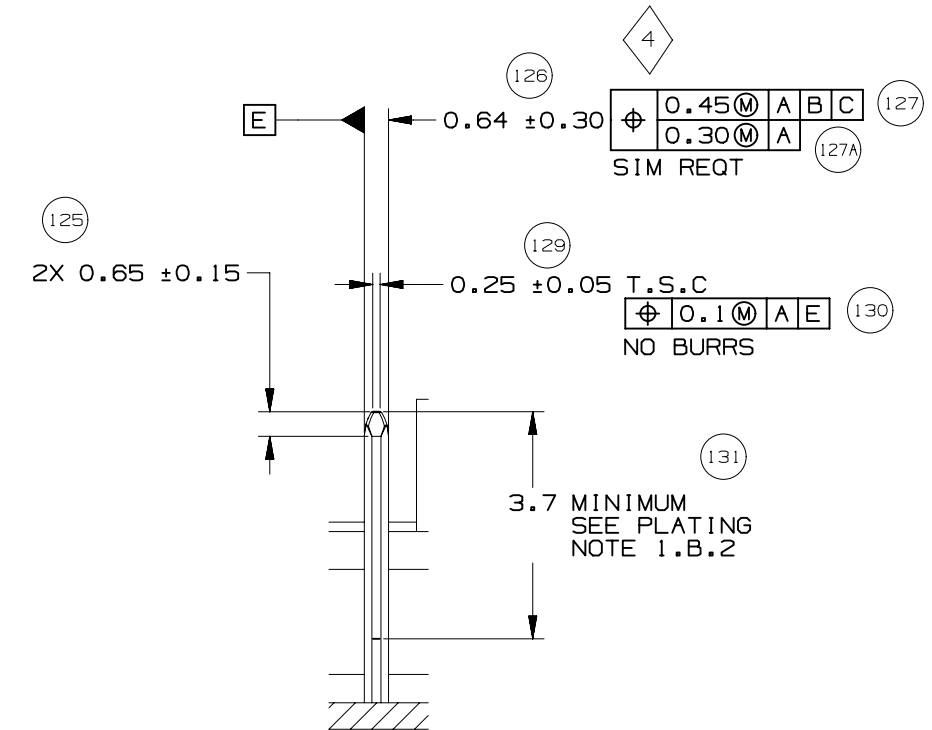
DWG STATUS			PAGE NUMBER	
ST	REV	PD1	19	OF 22
R	001			



SECTION S-S

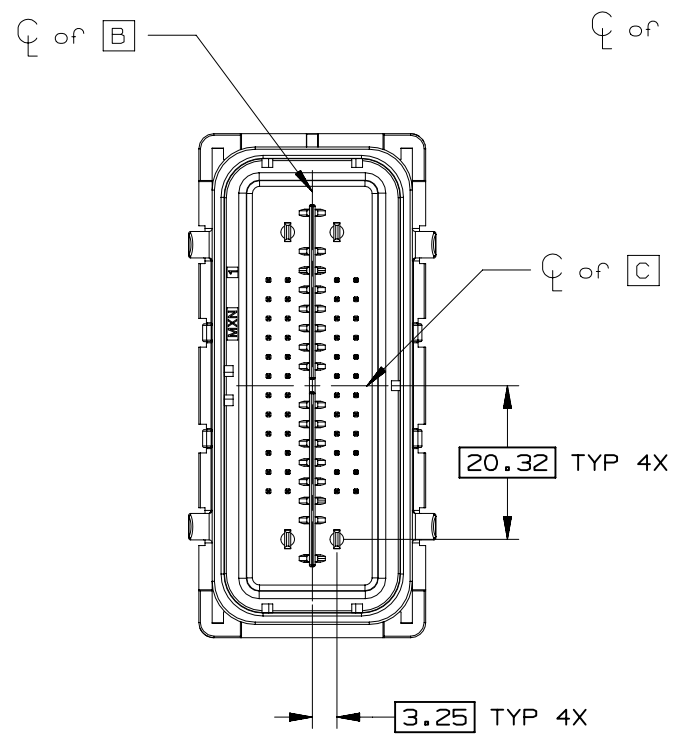


SECTION BB-BB

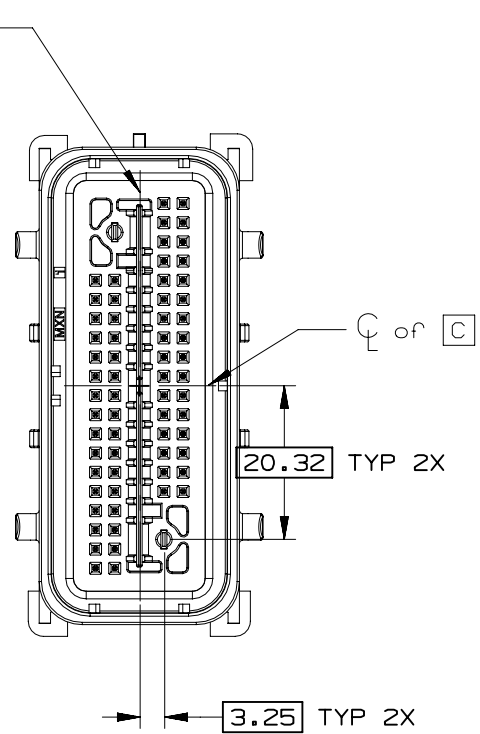


SECTION U-U
TYPICAL

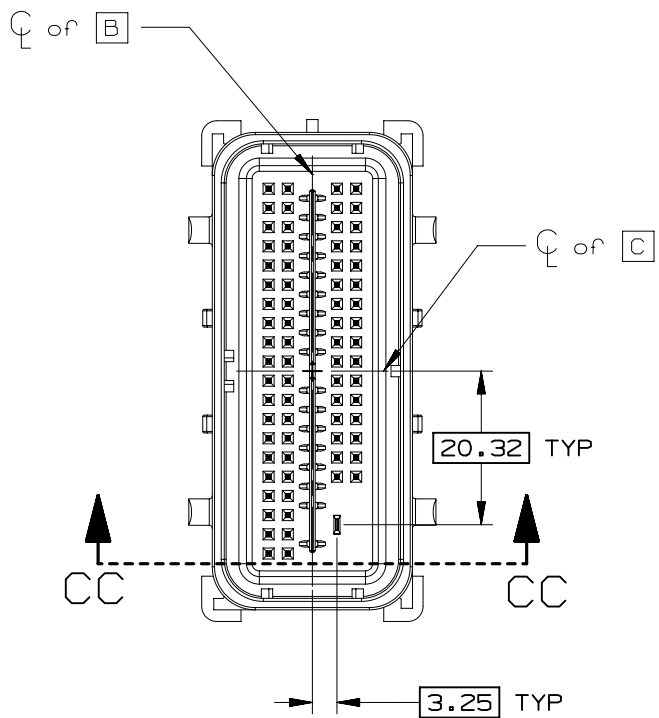




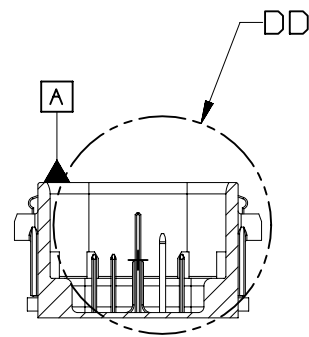
52 CKT COMPONENT
CONNECTOR INTERFACE



66 CKT COMPONENT
CONNECTOR INTERFACE

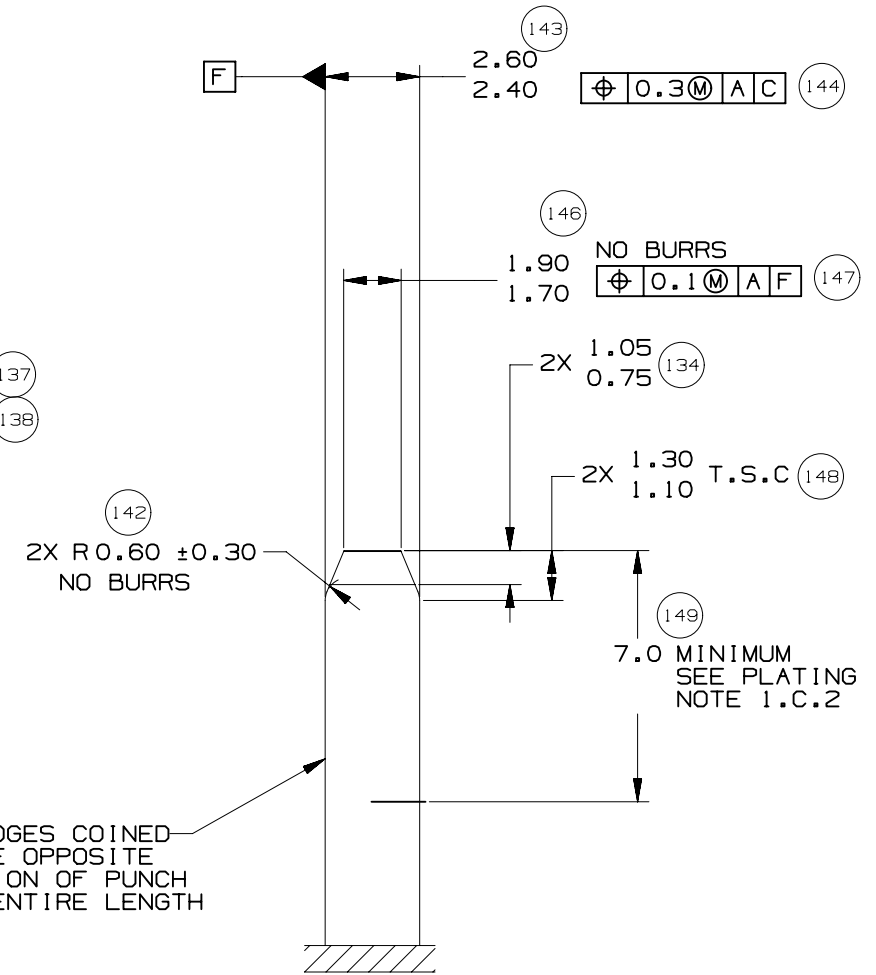
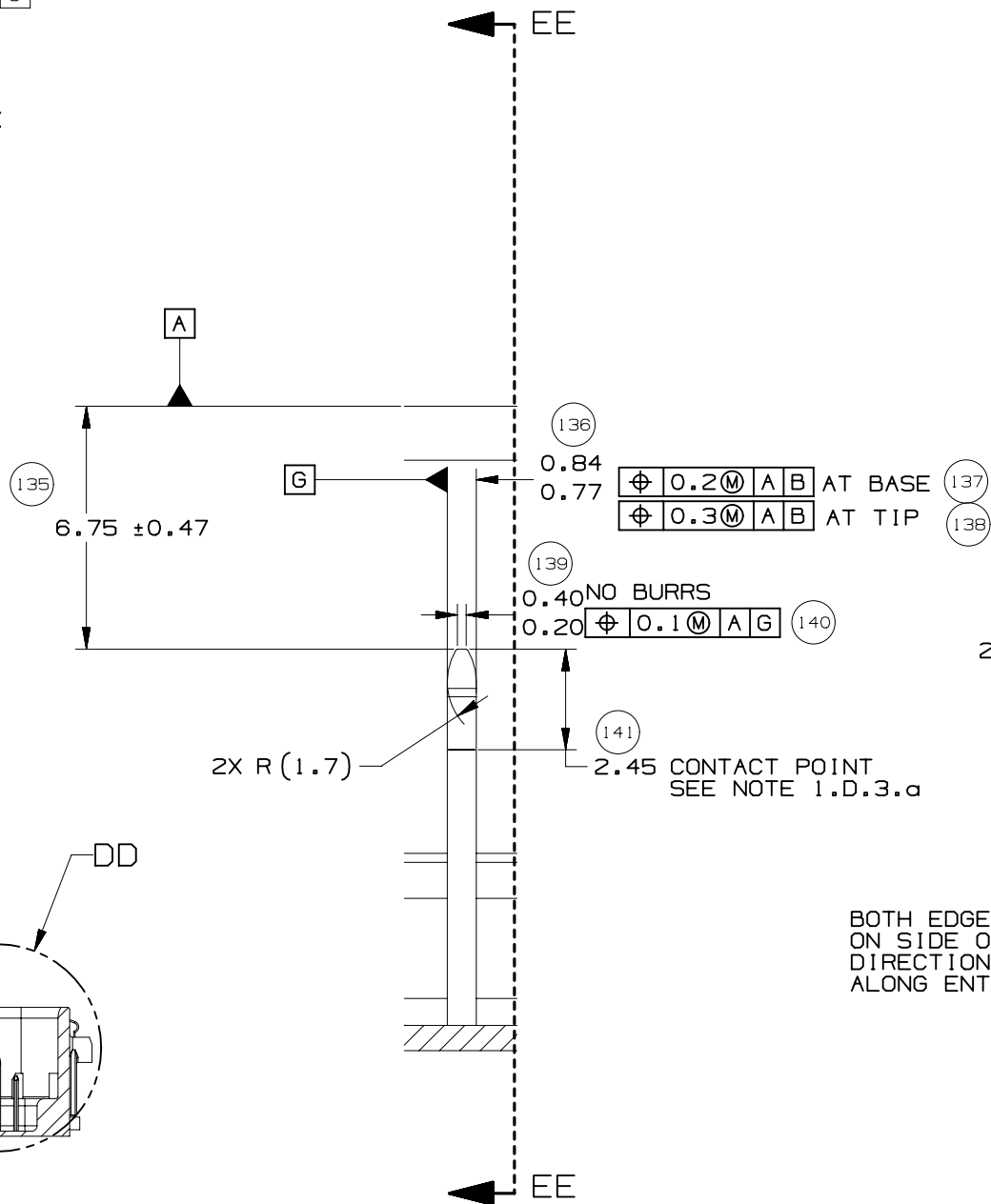


73 CKT COMPONENT
CONNECTOR INTERFACE



SECTION CC-CC

DETAIL DD
TYPICAL
SCALE 5:1



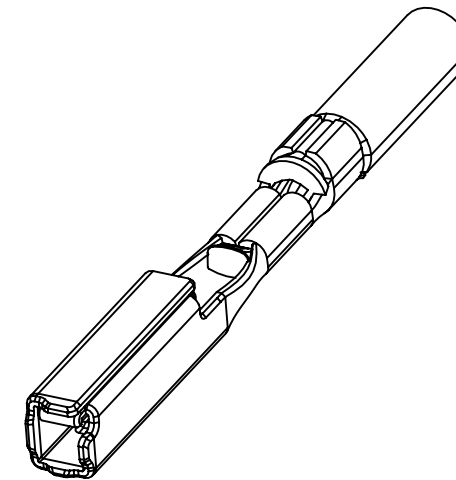
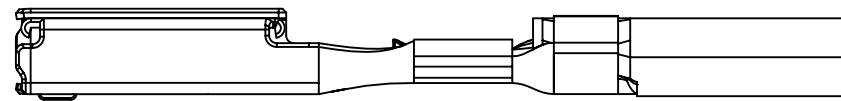
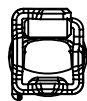
SECTION EE-EE
TYPICAL

BOTH EDGES COINED
ON SIDE OPPOSITE
DIRECTION OF PUNCH
ALONG ENTIRE LENGTH



MOLEX MX64 RECEPTACLE TERMINAL INFORMATION

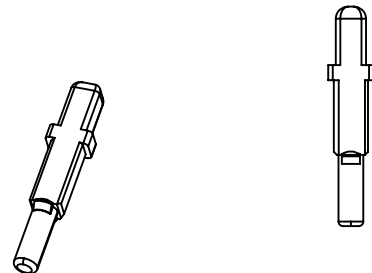
ITEM	MOLEX P/N	GM P/N	WIRE SIZE MM2	TYPE	PLATING	REEL WIND DIRECTION	COMMENTS
1	34736-0025		0.35	ISO	SILVER	LEFT	
2	34736-0026	12672850	0.35	ISO	SILVER	RIGHT	
3	34736-0027		0.5 / 0.75	ISO	SILVER	LEFT	
4	34736-0028	12672851	0.5 / 0.75	ISO	SILVER	RIGHT	



CAVITY PLUGS

ITEM	MFG	MFG P/N	GM P/N RD	SIZE	COLOR	MFG DRAWING	PROD SPEC	APP SPEC	COMMENTS
1	MOLEX	34586-0001	12674820	0.64	NATURAL	SD-34586-001	PS-34566-0000	AS-34566-001	
2	YAZAKI	7158-3114-90	12674821	2.8	BLUE	7158-3114-90	YPES-11-04-062	YPES-15-299	

ITEM 1



ITEM 2



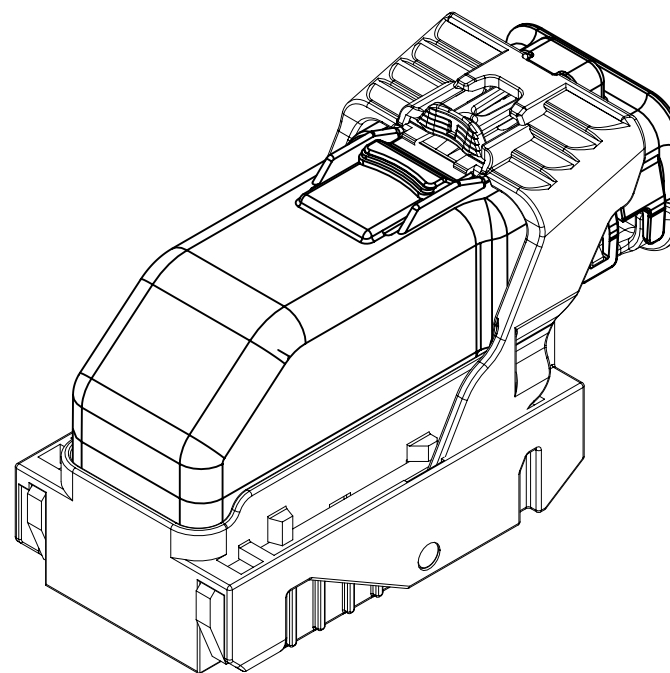
PAGE TITLE
ADDITIONAL COMPONENTS REQUIRED

DRAWING NUMBER
12672833


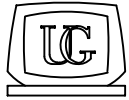
DWG STATUS		
ST	REV	PD1
R	001	

PAGE NUMBER
22 OF 22

INDEX	
PAGE TITLE	PAGE
TITLE BLOCK	1
REVISION BLOCK	2
PART BLOCK	3
KPC BLOCK	4
COMPONENT TABLE	5
NOTES	6
NOTES	7
WIRE DRESS PACKAGING DIMENSIONS	8
LOCATION AND PACKAGING DIMENSIONS REFERENCING INTERFACE DATUMS B & C	9
LOCATION AND PACKAGING DIMENSIONS REFERENCING INTERFACE DATUM A	10
KEY ID REF - WIRE DRESS OPTION 0	11
KEY ID REF - WIRE DRESS OPTION 9	12
CIRCUIT CONFIGURATIONS	13
CIRCUIT CONFIGURATIONS	14
COMPONENT CONNECTOR INTERFACE	15
COMPONENT CONNECTOR INTERFACE	16
COMPONENT CONNECTOR INTERFACE	17
COMPONENT CONNECTOR INTERFACE	18
COMPONENT CONNECTOR INTERFACE	19
COMPONENT CONNECTOR INTERFACE	20
COMPONENT CONNECTOR INTERFACE	21
ADDITIONAL COMPONENTS REQUIRED	22




ISO VIEW

	<p>UNLESS OTHERWISE SPECIFIED: THIS DOCUMENT IS IN ACCORDANCE WITH ASME Y14.5M-1994 AS AMMENDED BY THE GM GLOBAL DIMENSIONING AND TOLERANCING ADDENDUM-1997. ALL GEOMETRIC TOLERANCES AND RELATED DATUMS APPLY RFS. RULE #1 (PERFECT FORM AT MMC) DOES NOT APPLY WHEN A RELATIONSHIP BETWEEN FEATURES IS ESTABLISHED BY ORIENTATION OR LOCATION TOLERANCES. SEPARATE POSITION CALLOUTS MAY BE GAGED SEPARATELY REGARDLESS OF DATUM REFERENCES.</p>			DATE
	 CHANGE RESTRICTED NO MANUAL CHANGES	REFERENCE 12H (MOLEX AUTOMOTIVE)	DRAFTER APVD1	05JN15
DO NOT SCALE		APVD2		
METRIC DIMENSIONS SHOWN IN MILLIMETERS UNLESS OTHERWISE SPECIFIED		APVD3		
	DRAWING NAME	APVD4		
	HARNESS CONN ASM-SEALED 52/66/73/80 CKTS,MX123	APVD5		
	DRAWING NUMBER	DWG STATUS		
	12672833	ST	REV	
		R	001	
		PAGE NUMBER		
		1	OF 22	

PAGE	DWG STATUS					REVISION HISTORY	AUTH	DR	CK	ENG
	DATE	ST	REV	CHG	PDI					
	05JN15	R	001			RELEASED TO PRODUCTION AT DLS A	CRMRJE	DFK		

PAGE	DWG STATUS					REVISION HISTORY	AUTH	DR	CK	ENG
	DATE	ST	REV	CHG	PDI					

	PAGE TITLE	DRAWING NUMBER	DWG STATUS			PAGE NUMBER	
	REVISION BLOCK		12672833	ST	REV	PDI	2 OF 22
				R	001		

KEY PRODUCT CHARACTERISTICS
(IN ACCORDANCE WITH QN 1805 OR ON 1050)



SAFETY/COMPLIANCE

TOTAL ON
DRAWING

4



FIT/FUNCTION

LAST NO.
USED

4

NO	TYPE	DESCRIPTION	RATIONALE	PAGE/ZONE
1	F/F	32.68	IMPROVE CONNECTOR SYSTEM MATING	16
2	F/F	29.00	INSURE PROPER RELEASE OF LEVER	16
3	F/F	15.25	INSURE FINAL MATE POSITION	17
4	F/F	POSITIONAL TOLERANCE (2 PLACES)	INSURE CONNECTOR SYSTEM MATEABILITY	20



PAGE TITLE
KPC BLOCK

DRAWING NUMBER

12672833

DWG STATUS

ST	REV	PDI
----	-----	-----

R	001	
---	-----	--

PAGE NUMBER

4 OF 22

LINE	MFG.	MFG. P/N	GM P/N	EFFECTIVE DATE	APPLICABLE COMPONENTS	KEY OPTION	WIRE DRESS OPTION	KEY CONFIG.	COLOR	STATUS
					DESCRIPTION					
-										
1	MOLEX	34565-0003	12582676	02JN03	MX123 DRESS COVER 52/66/73/80 CKT	N/A	N/A	N/A	BLACK	AVAILABLE
2	MOLEX	160094-0001	12672852	01SP13	MX123 HRNS CONN ASSY 52 CKT	A	0	1458	BLACK	AVAILABLE
3	MOLEX	160094-0003	12672854	01SP13	MX123 HRNS CONN ASSY 52 CKT	C	0	2467	BLUE	AVAILABLE
4	MOLEX	160094-0013	12672853	01SP13	MX123 HRNS CONN ASSY 52 CKT	A	9	1458	BLACK	AVAILABLE
5	MOLEX	160094-0015	12672855	01SP13	MX123 HRNS CONN ASSY 52 CKT	C	9	2467	BLUE	AVAILABLE
6	MOLEX	34822-0013	12672856	01SP13	MX123 HRNS CONN ASSY 66 CKT	A	0	1458	BLACK	AVAILABLE
7	MOLEX	34822-0033	12672858	01SP13	MX123 HRNS CONN ASSY 66 CKT	C	0	2467	BLUE	AVAILABLE
8	MOLEX	34822-0023	12672857	01SP13	MX123 HRNS CONN ASSY 66 CKT	A	9	1458	BLACK	AVAILABLE
9	MOLEX	34822-0043	12672859	01SP13	MX123 HRNS CONN ASSY 66 CKT	C	9	2467	BLUE	AVAILABLE
10	MOLEX	34566-0103	12672860	11JN04	MX123 HRNS CONN ASSY 73 CKT	A	0	1458	BLACK	AVAILABLE
11	MOLEX	34566-0203	12672862	11JN04	MX123 HRNS CONN ASSY 73 CKT	B	0	1468	ST GRAY	AVAILABLE
12	MOLEX	34566-0303	12672864	09AP08	MX123 HRNS CONN ASSY 73 CKT	C	0	2467	BLUE	AVAILABLE
13	MOLEX	34566-0603	12672866	05DC14	MX123 HRNS CONN ASSY 73 CKT	F	0	1357	NATURAL	AVAILABLE
14	MOLEX	34566-1303	12672861	11JN04	MX123 HRNS CONN ASSY 73 CKT	A	9	1458	BLACK	AVAILABLE
15	MOLEX	34566-1403	12672863	11JN04	MX123 HRNS CONN ASSY 73 CKT	B	9	1468	ST GRAY	AVAILABLE
16	MOLEX	34566-1503	12672865	09AP08	MX123 HRNS CONN ASSY 73 CKT	C	9	2467	BLUE	AVAILABLE
17	MOLEX	34566-1803	12672867	05DC14	MX123 HRNS CONN ASSY 73 CKT	F	9	1357	NATURAL	AVAILABLE
18	MOLEX	34566-0703	12672872	09AP08	MX123 HRNS CONN ASSY 80 CKT	G	0	1358	BLUE	AVAILABLE
19	MOLEX	34566-0803	12672870	11JN04	MX123 HRNS CONN ASSY 80 CKT	H	0	2458	ST GRAY	AVAILABLE
20	MOLEX	34566-0903	12672868	T.B.D	MX123 HRNS CONN ASSY 80 CKT	J	0	2457	BLACK	NOT ACTIVE
21	MOLEX	34566-1903	12672873	09AP08	MX123 HRNS CONN ASSY 80 CKT	G	9	1358	BLUE	AVAILABLE
22	MOLEX	34566-2003	12672871	11JN04	MX123 HRNS CONN ASSY 80 CKT	H	9	2458	ST GRAY	AVAILABLE
23	MOLEX	34566-2103	12672869	T.B.D	MX123 HRNS CONN ASSY 80 CKT	J	9	2457	BLACK	NOT ACTIVE
24	MOLEX	34736-0028	12672851	01AU10	MX64 RCPT TERM Ag 0.5mm/0.75mm ISO GAGE B (RIGHT PAYOFF)	N/A	N/A	N/A	N/A	AVAILABLE
25	MOLEX	34736-0026	12672850	01AU10	MX64 RCPT TERM Ag 0.35mm ISO GAGE B (RIGHT PAYOFF)	N/A	N/A	N/A	N/A	AVAILABLE
26	MOLEX	34586-0001	12674820	11JN04	MX123 0.64mm GROMMET PLUG	N/A	N/A	N/A	NATURAL	AVAILABLE
27	YAZAKI	7116-4150-02	12588066	02JN03	2.8mm YESC SEALED FEMALE TERMINAL TIN 0.35mm2-0.50mm2	N/A	N/A	N/A	N/A	NOT ACTIVE
28	YAZAKI	7116-4151-02	12588067	02JN03	2.8mm YESC SEALED FEMALE TERMINAL TIN 0.75mm2-1.0mm2	N/A	N/A	N/A	N/A	NOT ACTIVE
29	YAZAKI	7116-4152-02	12582685	02JN03	2.8mm YESC SEALED FEMALE TERMINAL TIN 1.5mm2-2.5mm2	N/A	N/A	N/A	N/A	AVAILABLE
30	YAZAKI	7158-3111-60	12588068	02JN03	2.8mm CABLE SEAL (wire O.D. range 1.2mm-1.9mm)	N/A	N/A	N/A	GREEN	NOT ACTIVE
31	YAZAKI	7158-3112-70	12588069	02JN03	2.8mm CABLE SEAL (wire O.D. range 1.8mm-2.3mm)	N/A	N/A	N/A	YELLOW	NOT ACTIVE
32	YAZAKI	7158-3113-40	12582686	02JN03	2.8mm CABLE SEAL (wire O.D. range 2.1mm-3.0mm)	N/A	N/A	N/A	WHITE	AVAILABLE
33	YAZAKI	7158-3114-90	12674821	02JN03	2.8mm YESC CAVITY PLUG	N/A	N/A	N/A	BLUE	AVAILABLE
34	MOLEX	63825-8400	N/A	02JN03	MX64 TERM HAND CRIMP TOOL	N/A	N/A	N/A	N/A	AVAILABLE
35	MOLEX	63813-1400	XX019826	02JN03	MX64 TERM SERVICE TOOL	N/A	N/A	N/A	N/A	AVAILABLE
36	MOLEX	63902-5300	N/A	02JN03	MX64 CRIMP APPLICATOR with TOOL KIT 0.5/0.75mm2 PAYOFF DIRECTION D (left payoff) (contact Molex for payoff detail)	N/A	N/A	N/A	N/A	AVAILABLE
37	MOLEX	63902-5370	N/A	02JN03	MX64 APPLICATOR TOOL KIT 0.5/0.75mm2	N/A	N/A	N/A	N/A	AVAILABLE
38	MOLEX	63902-5100	N/A	02JN03	MX64 CRIMP APPLICATOR with TOOL KIT 0.35mm2 PAYOFF DIRECTION D (left payoff) (contact Molex for payoff detail)	N/A	N/A	N/A	N/A	AVAILABLE
39	MOLEX	63902-5170	N/A	02JN03	MX64 APPLICATOR TOOL KIT 0.35mm2	N/A	N/A	N/A	N/A	AVAILABLE
40	SPX	J35616-64	T.B.D.	02JN03	0.64mm PROBE TOOL (for rcpt)	N/A	N/A	N/A	N/A	AVAILABLE
41	SPX	J35616-64A	T.B.D.	02JN03	0.64mm PROBE TOOL WITH EXT (for rcpt)	N/A	N/A	N/A	N/A	AVAILABLE
42	SPX	J35616-65	T.B.D.	02JN03	0.64mm PROBE TOOL WITH EXT (for pin)	N/A	N/A	N/A	N/A	AVAILABLE
43	SPX	J35616-4A	T.B.D.	02JN03	2.8mm PROBE TOOL (for rcpt)	N/A	N/A	N/A	N/A	AVAILABLE
44	YAZAKI	X39899-J374	12094430	02JN03	2.8mm TERM SERVICE TOOL	N/A	N/A	N/A	N/A	AVAILABLE
45	TQI	7000-1006	N/A	15JN15	52 CKT PASS THROUGH ADAPTERS	N/A	N/A	N/A	BLACK	AVAILABLE
46	TQI	7000-1002	N/A	15JN15	66 CKT PASS THROUGH ADAPTERS	N/A	N/A	N/A	BLACK	AVAILABLE
47	TQI	79917-0061	N/A	15JN15	73 CKT PASS THROUGH ADAPTERS	N/A	N/A	N/A	BLACK	AVAILABLE
48	TQI	79917-0066	N/A	15JN15	80 CKT PASS THROUGH ADAPTERS	N/A	N/A	N/A	BLACK	AVAILABLE

* - MX123 DRESS COVER 52/66/73/80 CKT MATES TO ANY MX123 HARN CONN ASSY SHOWN ON TABLE ABOVE



PAGE TITLE
COMPONENT TABLE

DRAWING NUMBER

12672833

DWG STATUS

ST	REV	PD1
R	001	

PAGE NUMBER

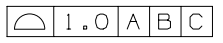
5 OF 22

NOTES: UNLESS OTHERWISE SPECIFIED

1. MATERIAL FOR INTERFACE:


- A. RESIN:
 - 1. 30% G.F. PBT; 20% MAX. (BY WEIGHT) REGRIND.
 - 2. MATING CONNECTOR INTERFACE PART COLOR MUST BE SAME AS MATCHING KEYED HARNESS CONNECTOR ASSEMBLY.
 - 3. MUST BE VALIDATED FOR INDIVIDUAL DEVICE APPLICATION REQUIREMENTS.
- B. 0.64MM PINS:
 - 1. BASE MATERIAL: COPPER ALLOY; CONDUCTIVITY >= 28% IACS AT 20°C; TENSILE STRENGTH >= 635 N/mm²; SURFACE ROUGHNESS R_a 6 MAX.
 - 2. PLATING FINISH: SILVER (Ag). PLATING TO BE 1.9-3.3 μm ELECTRODEPOSITED SEMI-BRIGHT SILVER OVER 1.25-2.25 μm DUCTILE SULPHAMATE NICKEL PER NOTE 1(D).
 - 3. ANTI-TARNISH: SYNTHETIC HYDROCARBON CONTACT SURFACE FINISH OR EQUIVALENT APPLIED WITHOUT VOID TO CONTACT AREA (MIN 3.7mm FROM PIN TIP).
- C. 2.8MM BLADE:
 - 1. BASE MATERIAL: COPPER ALLOY; CONDUCTIVITY >= 28% IACS AT 20°C; TENSILE STRENGTH >= 350 N/mm²; SURFACE ROUGHNESS R_a 6 MAX.
 - 2. PLATING FINISH: TIN. PLATING TO BE 2.5-5.0 μm ELECTRODEPOSITED TIN, MATTE FINISH OVER 1.25-2.5 μm DUCTILE SULPHAMATE NICKEL PER NOTE 1(D).
- D. PLATING REQUIREMENTS:
 - 1. SILVER PLATING
 - a. 99.5% PURE SEMI-BRIGHT WITH NO ORGANIC BRIGHTNERS OR CHROMATES.
 - 2. NICKEL PLATING
 - a. ELECTRODEPOSITED DUCTILE SULFAMATE NICKEL WITH A NON-BRIGHTENED FINISH. NO ORGANIC OR BRIGHTENING AGENTS SHALL BE ALLOWED.
 - b. SHALL ONLY BE USED AS AN UNDERLYING PLATING AND MAY NOT BE USED AS AN ELECTRICAL CONTACT SURFACE PLATING.
 - c. SHALL BE NODULE FREE WHEN VIEWED AT 10X MAGNIFICATION IN MEASURED IN CONTACT SURFACE AREA PLUS 0.5MM PERIMETER AROUND THE CONTACT SURFACE AREA.
 - d. ALL PLATINGS SHALL HAVE A 1.0% MAXIMUM BY WEIGHT IMPURITIES. IMPURITIES ARE DEFINED AS ALL ELEMENTS NOT THE PRIMARY PLATING OR HARDENING AGENT IF APPLICABLE, AS DETERMINED BY WET CHEMICAL ANALYSIS OR AUGER METHOD. NO SINGLE IMPURITY SHALL EXCEED 0.1% MAXIMUM BY WEIGHT.
 - 3. TESTING
 - a. THICKNESS TO BE MEASURED IN CONTACT SURFACE AREA PLUS 0.5MM PERIMETER AROUND THE CONTACT SURFACE AREA AS DESIGNATED IN THE DRAWING. THICKNESS SHALL BE DETERMINED BY METHOD OF X-RAY (XRF).
 - b. PLATING ADHESION SHALL BE TESTED BY A BEND TEST FOR ALL METALS. THE TEST SAMPLE SHALL BE BENT 90 DEGREES TO DETERMINE DEPOSIT ADHESION. TESTING SHALL BE COMPLETED IN ACCORDANCE WITH ASTM SPEC B571.

2. DESIGN - GENERAL:

- A. THIS IS A 100% CAD GENERATED PART. THE CAD MATHEMATICAL DATA IS THE MASTER FOR THIS PART. FOR DIMENSIONAL OR ANY INFORMATION NOT SHOWN ON THIS DRAWING, ANALYZE THE CAD MODEL.
- B. TOLERANCES:
 - 1. LINEAR
 - 0.X ± 0.30
 - 0.XX ± 0.10
 - 0.XXX ± 0.10
 - 2. ANGULAR X° ± 3°
 - 3. 
- C. MINIMUM WALL THICKNESS REQUIRED: 1.3mm.
- D. CORNERS SHOWN AS SHARP TO BE R 0.2 MAX.
- E. LETTERING SHALL BE 0.15 MAX RAISED IN 0.20 MAX RECESS PAD. THIS INCLUDES MATERIAL CODE, RECYCLING CODE, CAVITY ID AND DATE CODE.
- F-1. PARTS MUST BE FREE OF DISCOLORATION, SALT RESIDUE AND OTHER IMPERFECTIONS THAT AFFECT FIT OR FUNCTION.
- F-2. SCRATCHES OR DENTS NOT TO EXCEED 0.013mm IN DEPTH.
- G. FOLLOWING PRODUCTION CODES TO BE PERMANENTLY MARKED & HUMAN READABLE TO A LETTER HEIGHT OF 1.5 ± 0.5MM X 0.3 MAX DEEP
 - 1. MATERIAL #: XXXXX-XXXX
 - 2. DATE CODE: JJYY (JULIAN DAY, LAST DIGIT OF YEAR)
 - 3. INSPECTION MACHINE CODE + SERIAL #: X_XXXXX

3. DESIGN - MANUFACTURING:

- A. DRAFT TO BE WITHIN TOLERANCE.
- B. ALLOWABLE FLASH MAX 0.2 HIGH X MAX 0.13 THICK.
- C. ALLOWABLE PARTING LINE MISMATCH 0.2 MAX.
- D. EJECTOR PINS MARK TO BE FLUSH TO 0.25 MAX DEPRESSED.
- E. ALLOWABLE GATE VESTIGE FLUSH TO 0.25 MAX PROTRUSION.
- F. NO EXTERNAL MOLD RELEASE AGENT ALLOWED DURING MANUFACTURING.
- G. STEEL THAT FORMS THE INDICATED SURFACE MUST BE POLISHED WITH A DIAMOND FINISH (SPI A-2) OVER THE FULL PERIPHERY OF THE TOOL. SURFACE MUST HAVE NO MISMATCH.
- H. ANY PROCESS LUBRICANT REMAINING ON THE TERMINAL MUST NOT VARNISH OR DEGRADE IT'S ELECTRICAL PERFORMANCE UP TO A MAXIMUM CLASS AMBIENT TEMPERATURE PER SAE USCAR-2 FOR 1008 HOURS. PROCESS LUBRICANTS SHOULD BE APPROVED BY THE RESPONSIBLE ENGINEER.
- J. OPTIONAL FEATURES PROVIDED FOR AUTOMATION.
- K. PART MUST BE FREE FROM BURRS AND SHARP EDGES, WHICH MIGHT BE DETRIMENTAL TO SATISFACTORY ASSEMBLY, SAFE HANDLING OR FUNCTION OF PART.
- L. PARTS AS DELIVERED TO ASSEMBLY SHALL BE CLEAN AND FREE OF DEBRIS, RESIDUAL ABRASIVE MATERIAL AND CORROSION PRODUCTS ADVERESLY AFFECTING FUNCTION OR APPEARENCE.
- M. RESTRICTED AND REPORTABLE SUBSTANCES FOR PARTS PER GMW3059.

	PAGE TITLE	DRAWING NUMBER	DWG STATUS			PAGE NUMBER	
	NOTES		12672833	ST	REV	PDI	6 OF 22
				R	001		

NOTES: UNLESS OTHERWISE SPECIFIED

4. SYSTEM REQUIREMENTS:

- A. HARNESS CONNECTOR IS COMPATIBLE WITH THE FOLLOWING ISO WIRE SIZE NO'S:
 0.35mm², MEETING GMW15626 - MIN OD OF 1.30MM
 0.50mm², MEETING GMW15626
 0.75mm², MEETING GMW15626 - MAX OD OF 2.06MM

B. CABLE TIE SPECIFICATIONS:

1. CABLE TIE:
 - TENSILE RATING: 220N / (50lbs) MIN
 - TIE LENGTH: 186mm MIN
 - TIE WIDTH: 4.75mm MAX
 - MATERIAL: NYLON
2. INSTALLATION:
 - CABLE TIE TENSION: 190N MIN
3. DRESSED WIRE BUNDLE PACKAGING: SEE FIG. 1

C. WHEN MATED WITH COMPONENT CONNECTOR INTERFACE AND/OR DRESS COVER, HARNESS CONNECTOR SYSTEM CONFORMS TO THE FOLLOWING:

1. SAE/USCAR-2, REV: 3 APRIL, 2001; CLASS 3
2. FIELD CORRELATED LIFE TEST, SAE/USCAR-20, NOV. 2001
3. GMW #3191 AUGUST 22, 2000 (DRAFT); TEMPERATURE CLASS 3, SEALING CLASS 1, VIBRATION CLASS 2
4. RESTRICTED AND REPORTABLE CHEMICALS PER GMW #3059, REV: D AUGUST 2002
5. TPA USER FORCES (FULLY POPULATED WITH TERMINALS)
 - a. REMOVAL FROM LOCK TO PRE-SET: <=120N

D. WIRE SPECIFICATIONS:

1. WIRE SURFACE MUST BE FREE OF SCRATCHES, GROOVES OR DENTS WHERE FUNCTIONAL

5. TERMINAL CURRENT RATINGS:

A. MX64 RCPT TERM

ALL TESTING DONE IN ACCORDANCE WITH USCAR-2 REV5 SECTION 5.3

1. MX64 RCPT TERM Ag 0.50/0.75mm² CRIMPED TO 0.75mm² ISO WIRE AND MATED TO MX123 0.64MM PIN: SEE TABLE BELOW
2. MX64 RCPT TERM Ag 0.35mm² CRIMPED TO 0.35mm² ISO WIRE AND MATED TO MX123 0.64MM PIN: SEE TABLE BELOW

WIRE	CURRENT RATING			
	23°C	85°C	105°C	125°C
0.75mm ²	11.3A	11.3A	9.5A	6.6A
0.50mm ²	10.0A	10.0A	8.3A	5.7A
0.35mm ²	8.5A	8.5A	7.1A	5.0A

B. 2.8MM RCPT TERM

ALL TESTING DONE IN ACCORDANCE WITH MOLEX DVP&R 0279 (TR # 7125)

1. 2.8MM RCPT TERM TIN 2.0mm² CRIMPED TO 2.0mm² ISO WIRE AND MATED TO MX123 2.8MM BLADE: 25.6 AMPS AT 125°C

6. CONTACT MOLEX AUTOMOTIVE FOR AVAILABLE CUSTOM PATTERNS OF CAVITIES OPEN FOR CIRCUITS - SEE GM DRAWING 13507496



PAGE TITLE
NOTES

DRAWING NUMBER

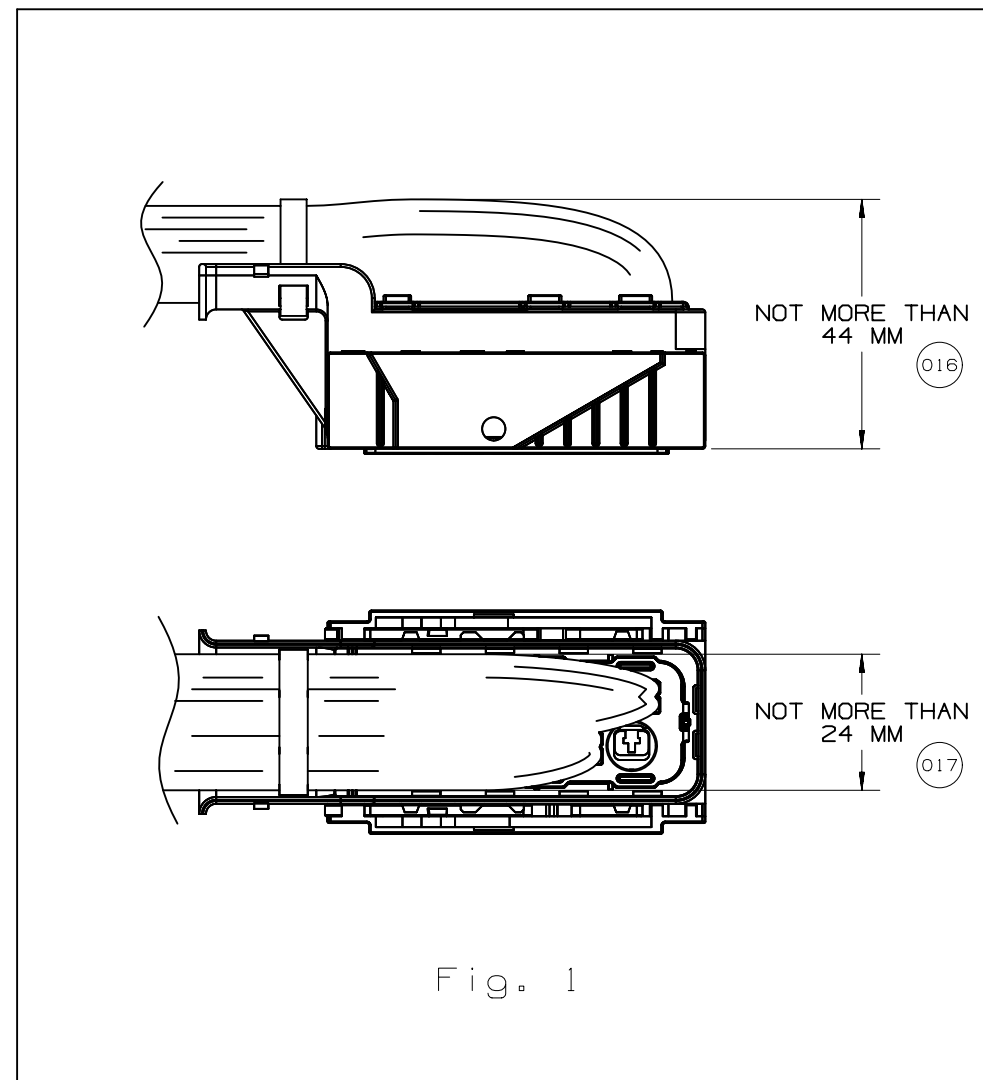
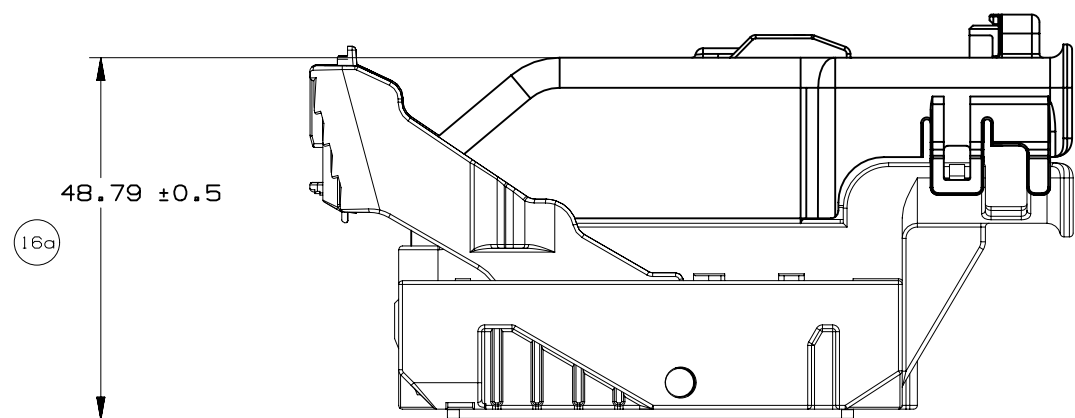
12672833

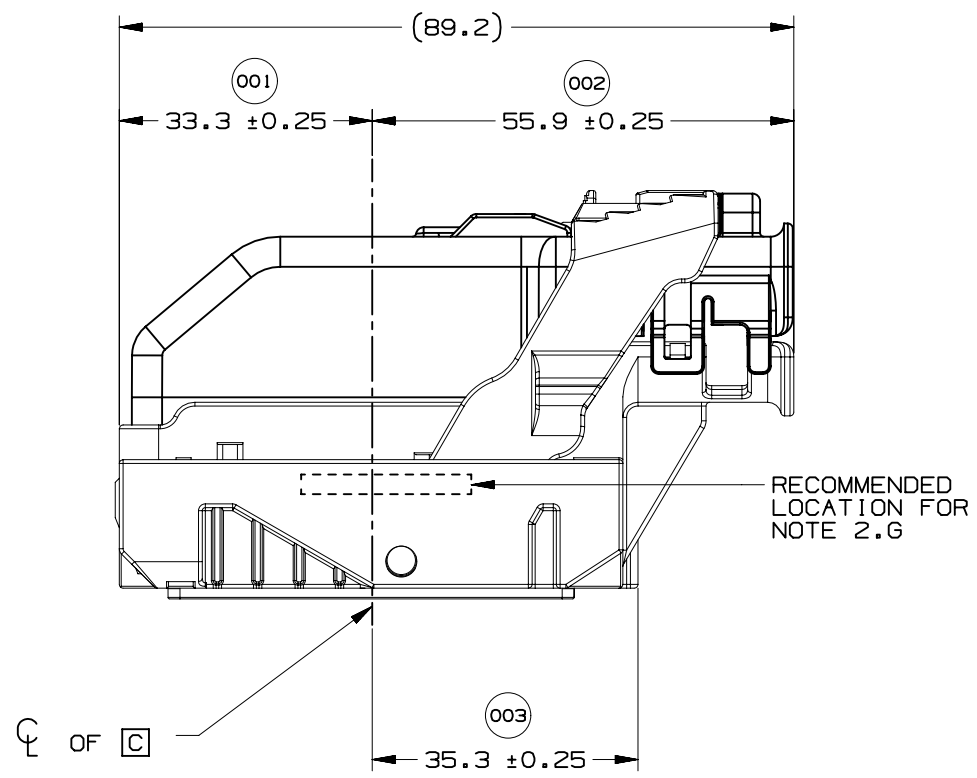
DWG STATUS

ST	REV	PDI
R	001	

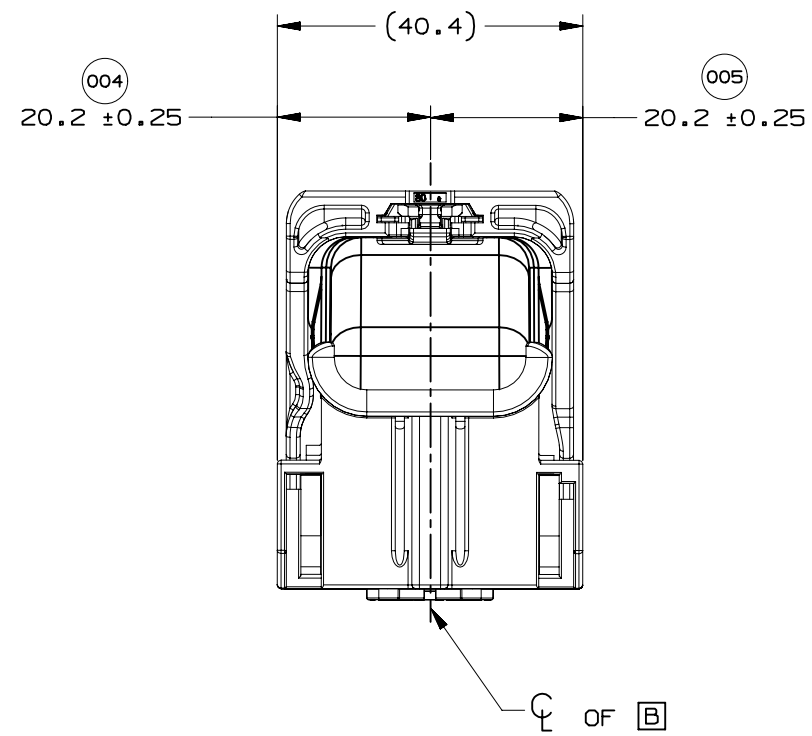
PAGE NUMBER

7 OF 22

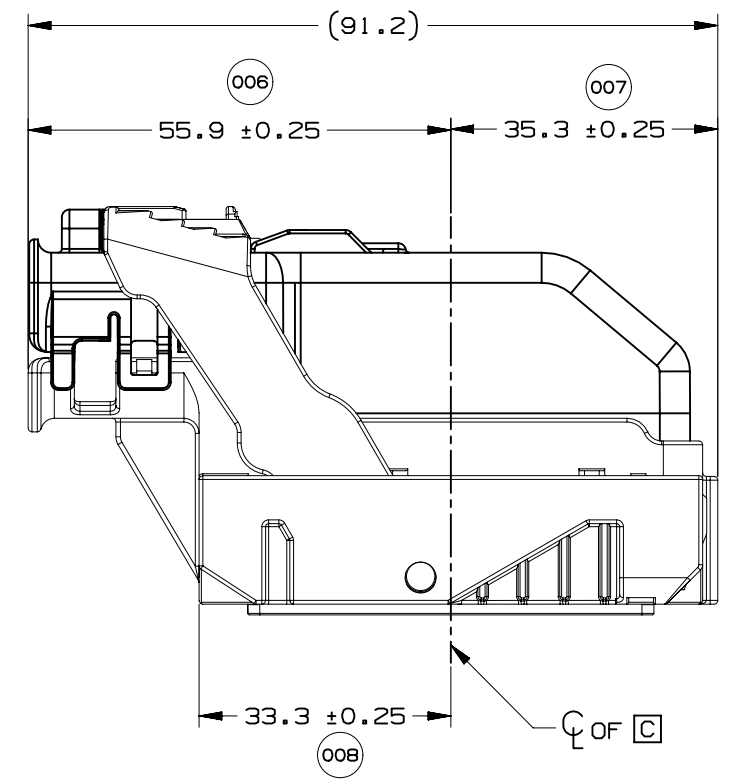




WIRE DRESS OPTION 0 SHOWN

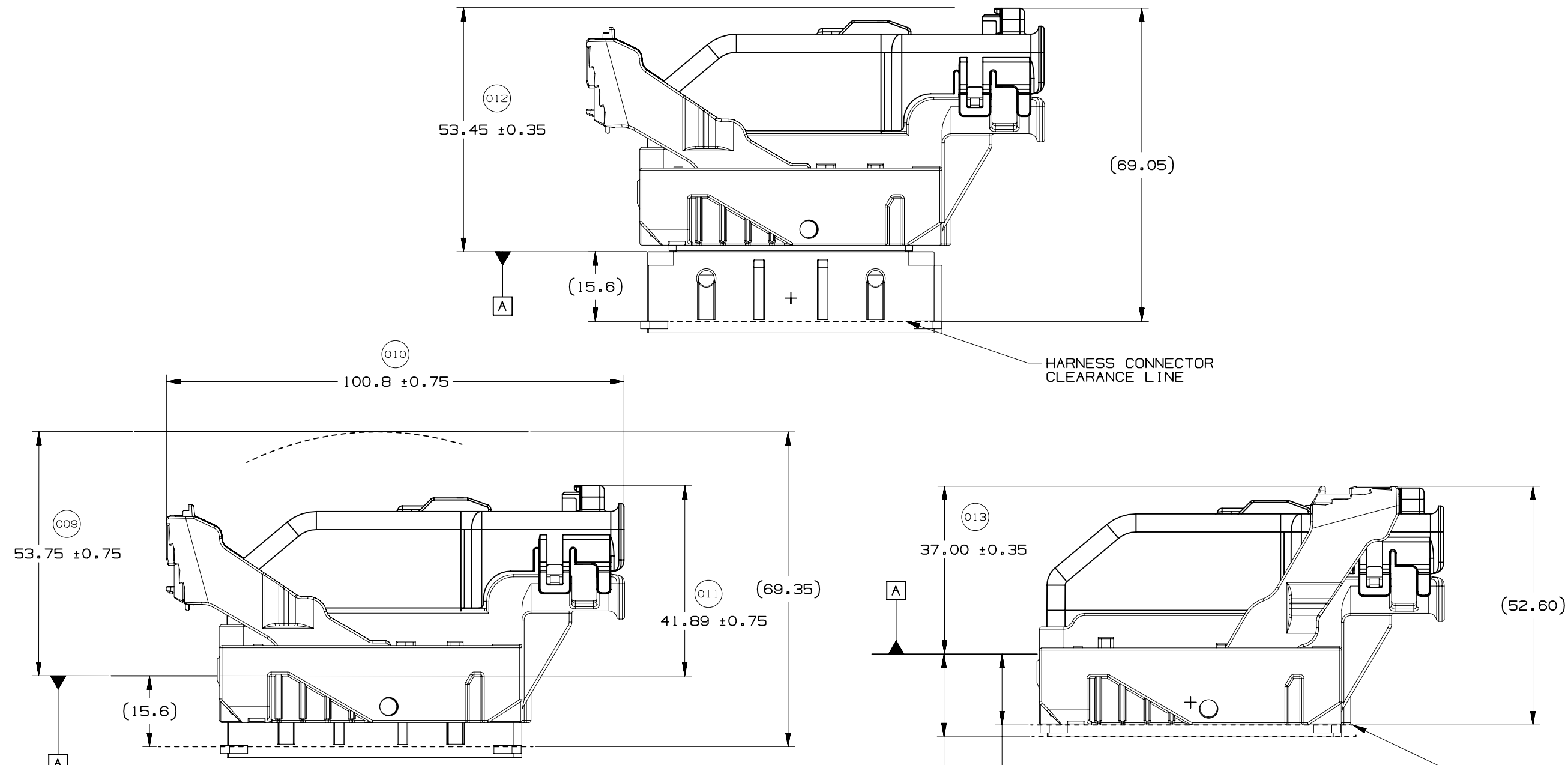


WIRE DRESS OPTION 0 SHOWN



WIRE DRESS OPTION 9 SHOWN





HARNESS CONNECTOR CLEARANCE LINE

HARNESS CONNECTOR ASSEMBLY IN FULLY-MATED POSITION

HARNESS CONNECTOR CLEARANCE LINE

15.6 MIN. ALL AROUND CLEARANCE REQUIRED FOR HARNESS CONNECTOR (014)

17.9 MIN. AT PAD LOCATION CLEARANCE REQUIRED FOR HARNESS CONNECTOR CONSTRUCTION BELOW THIS PLANE IS NOT CONTROLLED (015)

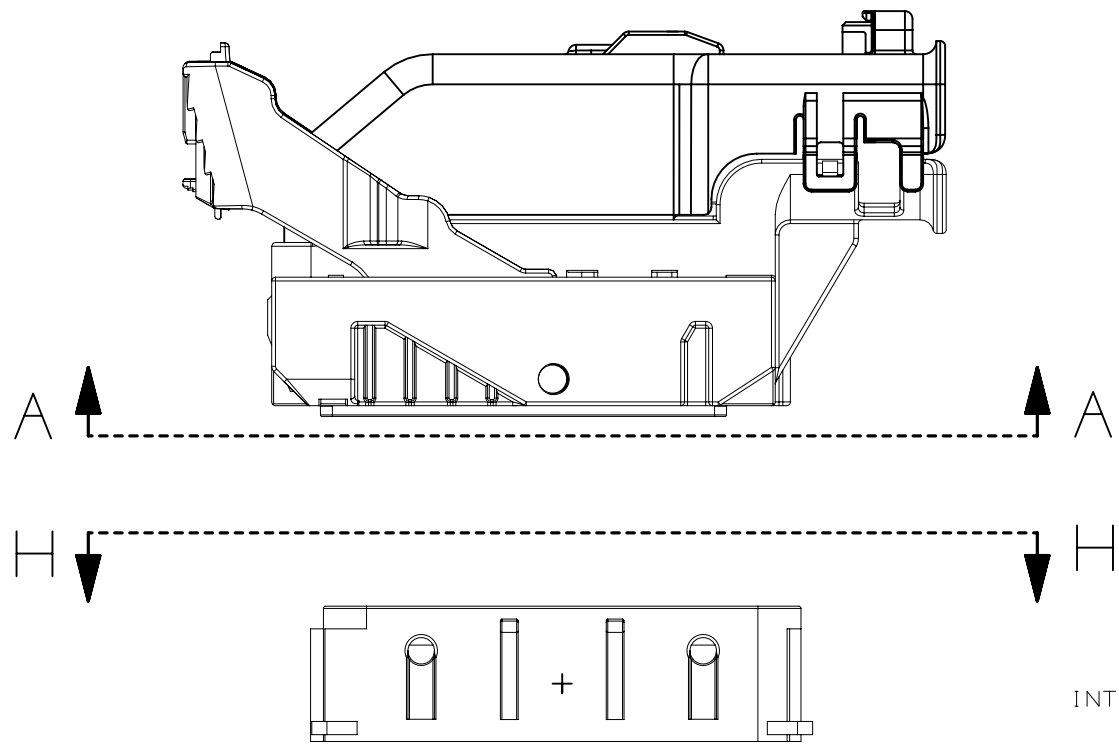


PAGE TITLE
LOCATION AND PACKAGING DIMENSIONS
REFERENCING INTERFACE DATUM A

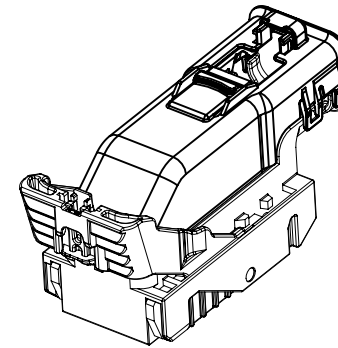
DRAWING NUMBER
12672833

DWG STATUS		
ST	REV	PD1
R	001	

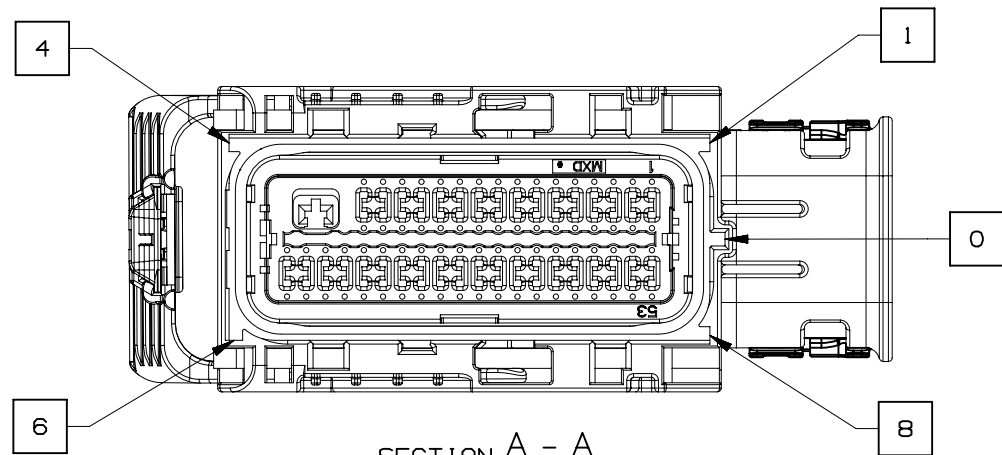
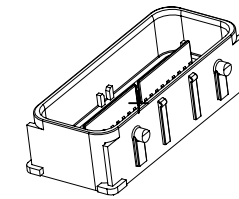
PAGE NUMBER
10 OF 22



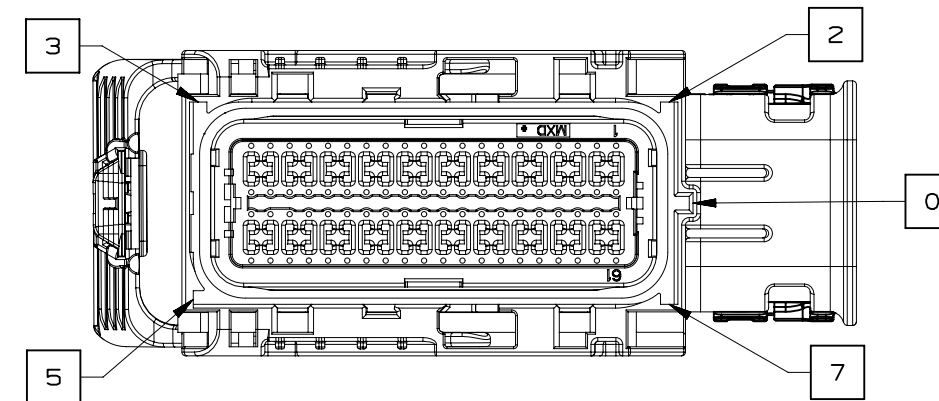
INTERFACE SIDE SHOWN ON ALL SECTION VIEWS



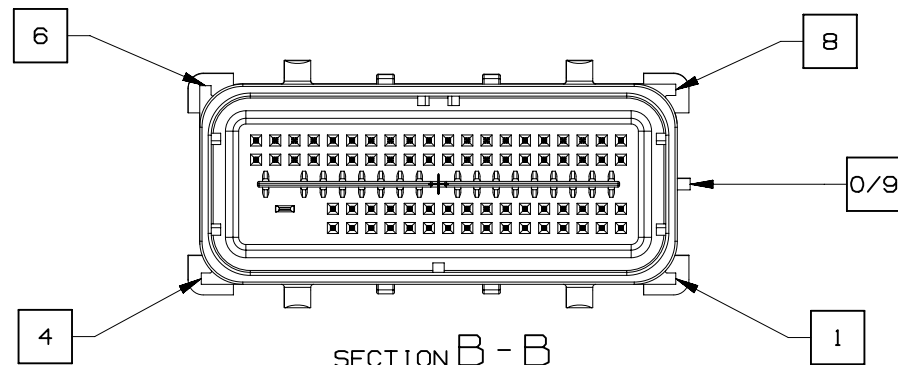
NOTE: REFERENCE THE COMPONENT TABLE FOR KEY OPTIONS AND CONFIGURATIONS



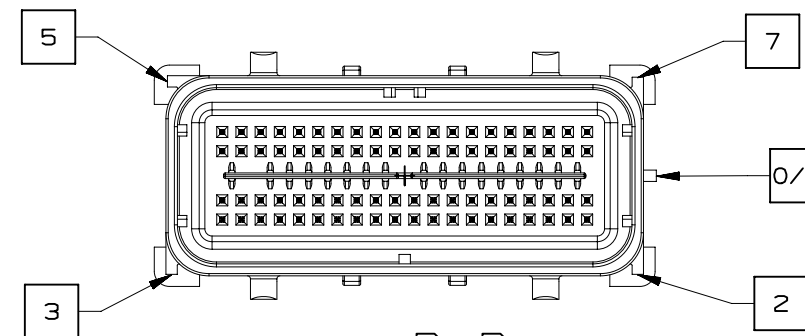
SECTION A - A
73 CKT HARNESS CONNECTOR ASSEMBLY
KEY OPTION B SHOWN



SECTION A - A
80 CKT HARNESS CONNECTOR ASSEMBLY
KEY OPTION K SHOWN



SECTION B - B
73 CKT HARNESS CONNECTOR ASSEMBLY
KEY OPTION B SHOWN



SECTION B - B
80 CKT HARNESS CONNECTOR ASSEMBLY
KEY OPTION K SHOWN

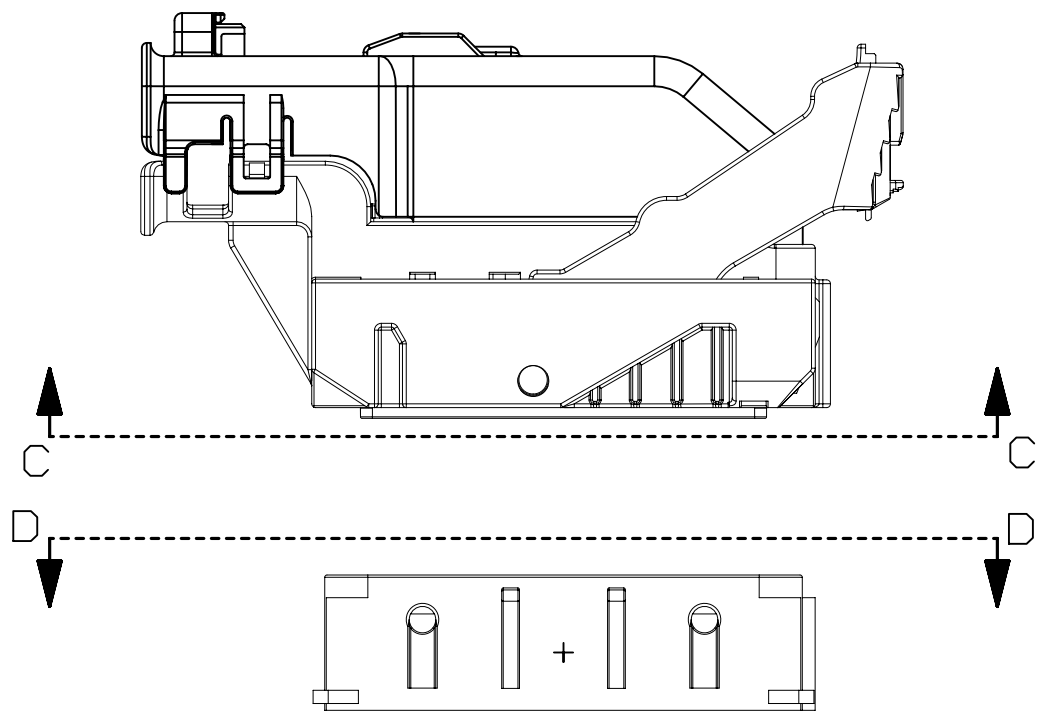


PAGE TITLE
KEY ID REF - WIRE DRESS OPTION 0

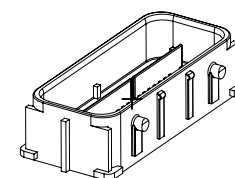
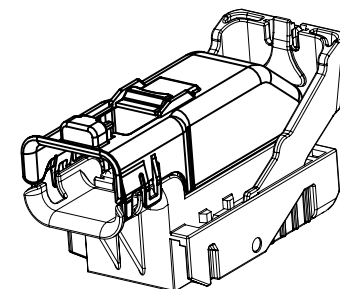
DRAWING NUMBER
12672833

DWG STATUS		
ST	REV	PD1
R	001	

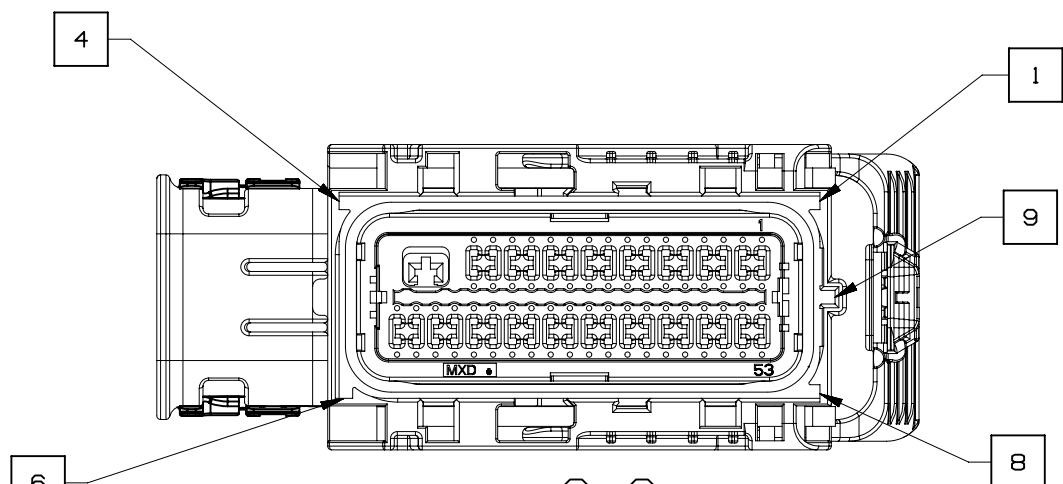
PAGE NUMBER
11 OF 22



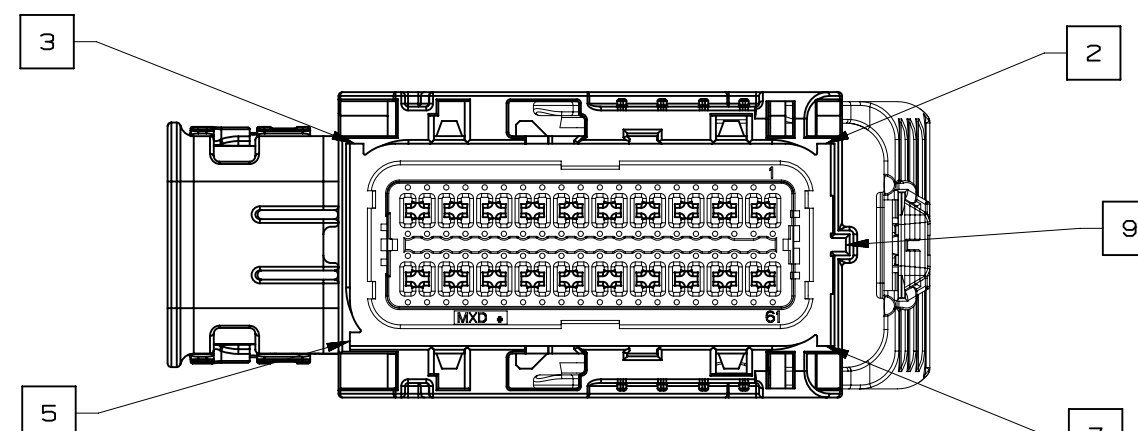
INTERFACE SIDE SHOWN ON ALL SECTION VIEWS



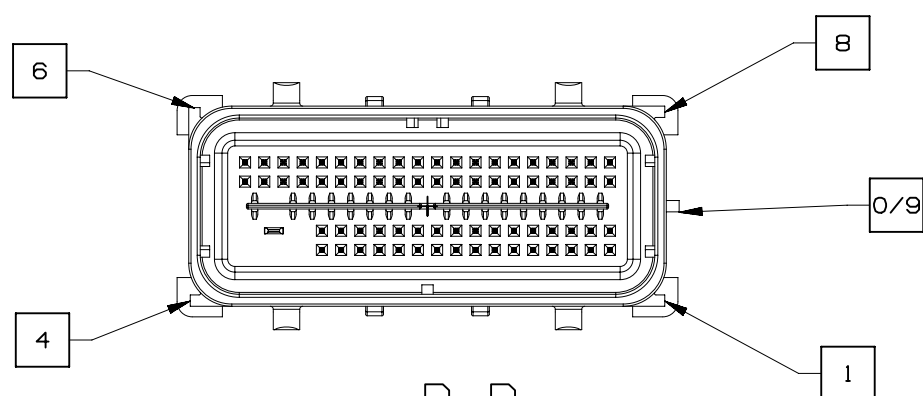
NOTE: REFERENCE THE COMPONENT TABLE FOR KEY OPTIONS AND CONFIGURATIONS



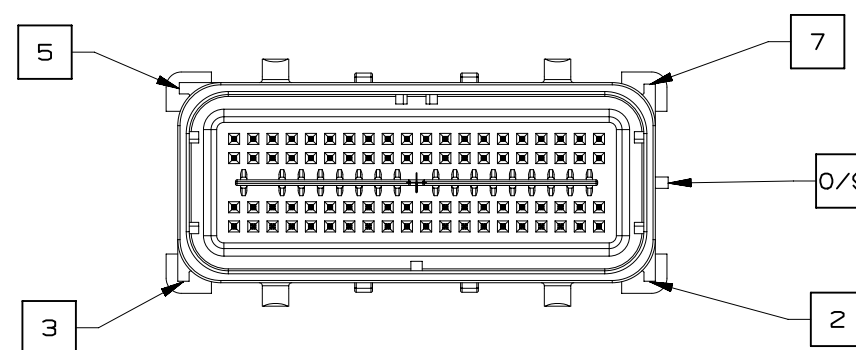
SECTION C - C
73 CKT HARNESS CONNECTOR ASSEMBLY
KEY OPTION B SHOWN



SECTION C - C
80 CKT HARNESS CONNECTOR ASSEMBLY
KEY OPTION K SHOWN



SECTION D - D
73 CKT HARNESS CONNECTOR ASSEMBLY
KEY OPTION B SHOWN



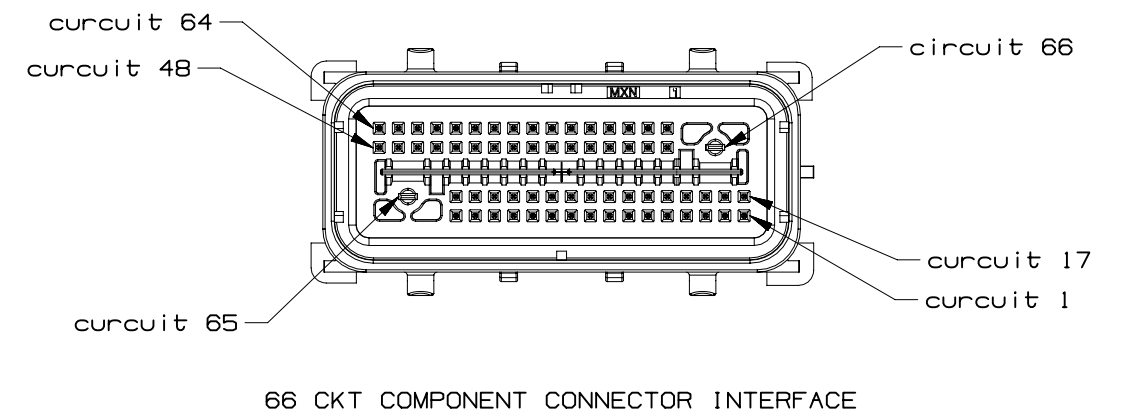
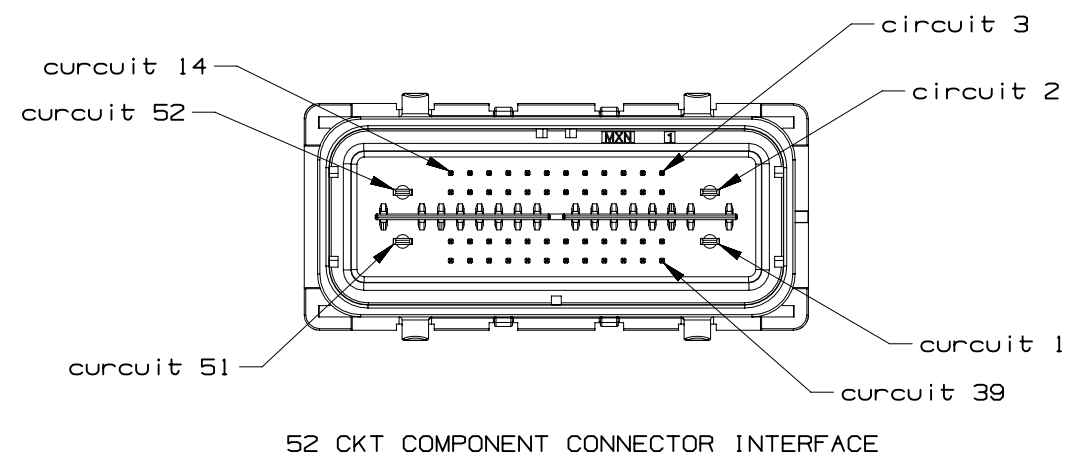
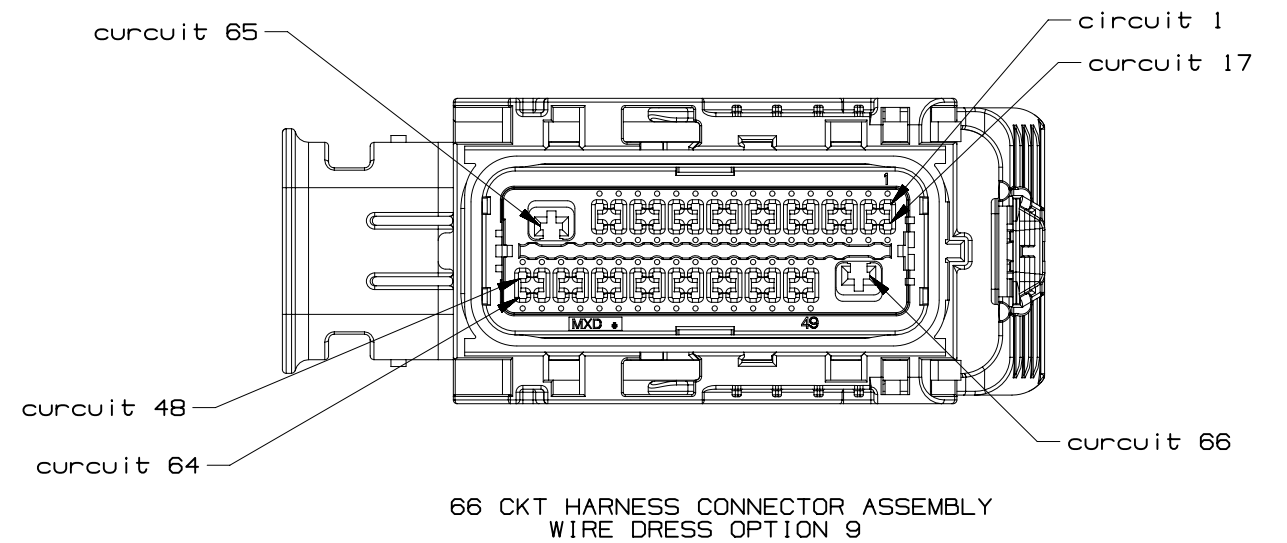
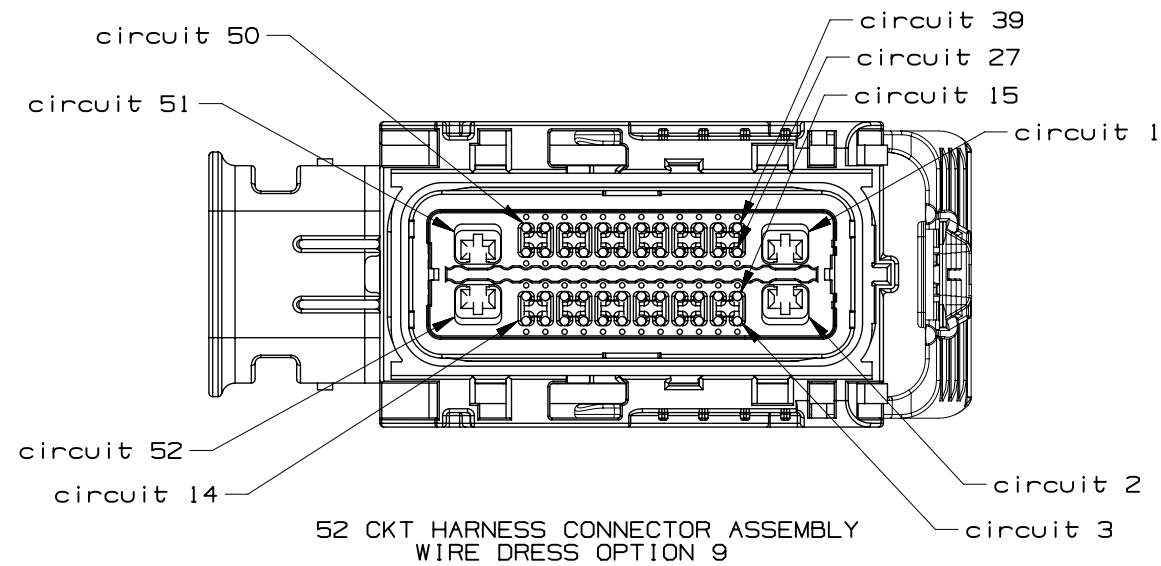
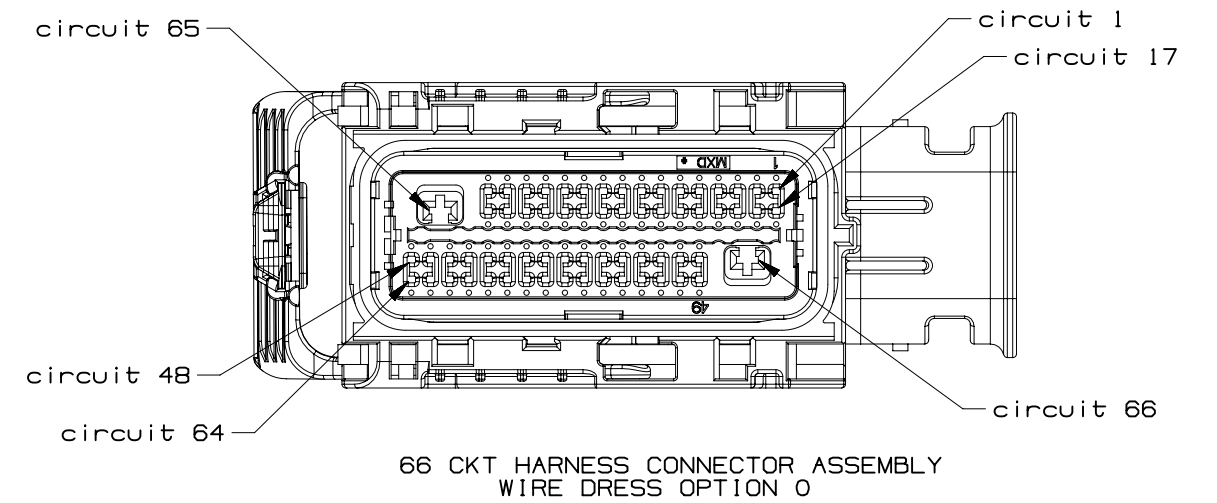
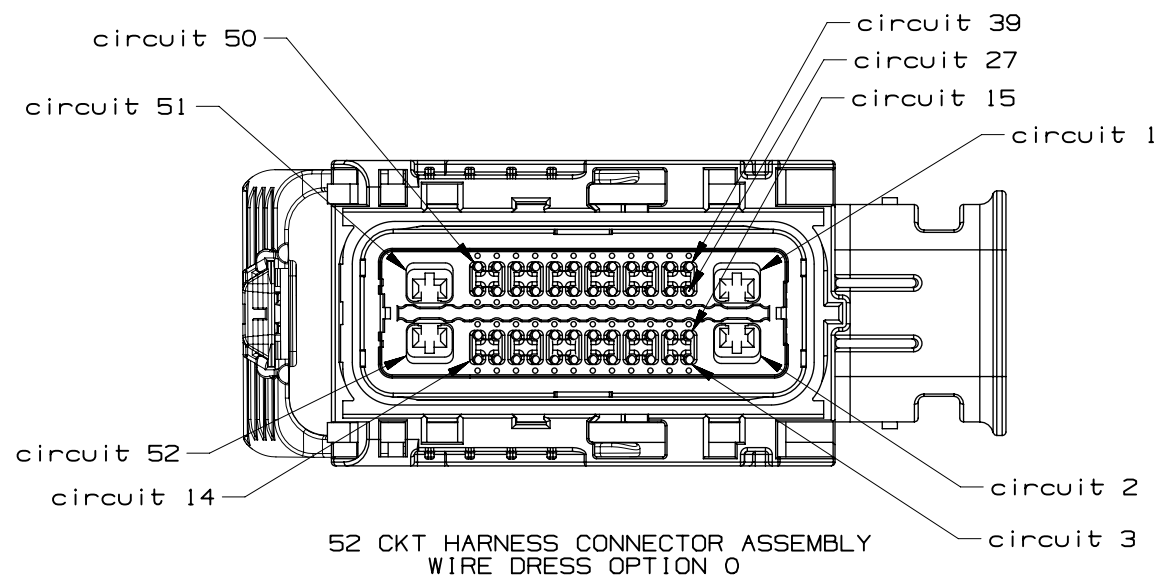
SECTION D - D
80 CKT HARNESS CONNECTOR ASSEMBLY
KEY OPTION K SHOWN

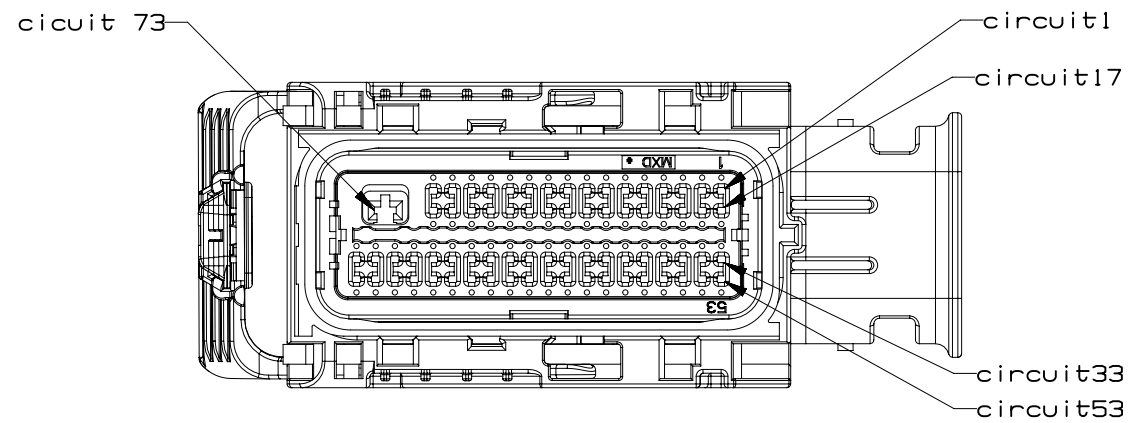


PAGE TITLE
KEY ID REF - WIRE DRESS OPTION 9

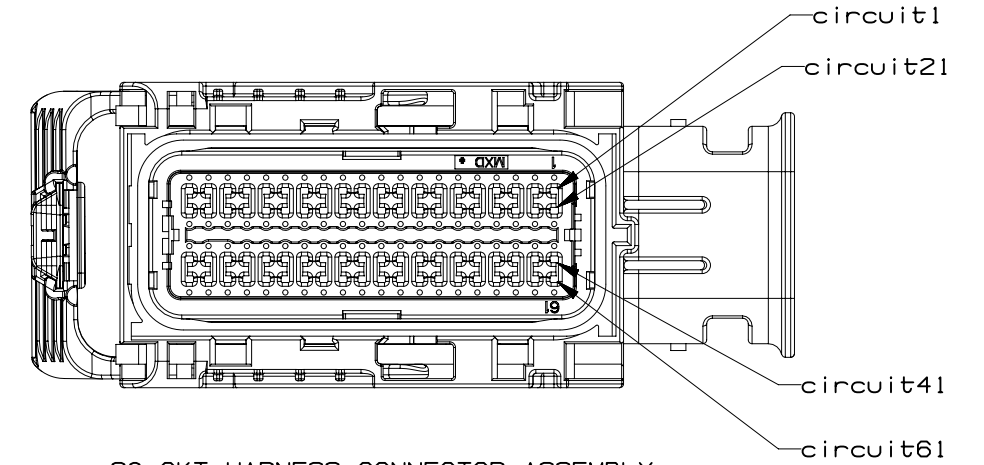
DRAWING NUMBER
12672833

DWG STATUS			PAGE NUMBER
ST	REV	PD1	
R	001		12 OF 22



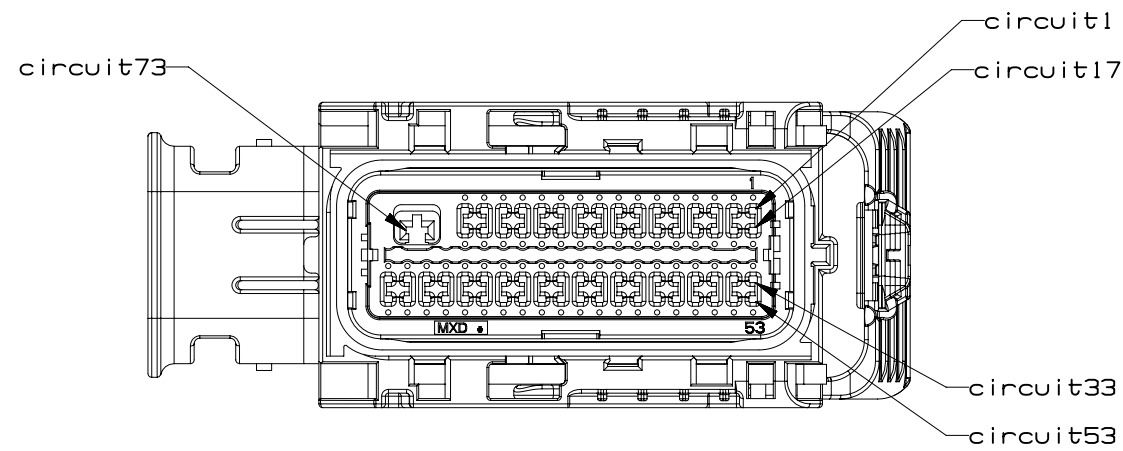


73 CKT HARNESS CONNECTOR ASSEMBLY
WIRE DRESS OPTION 0

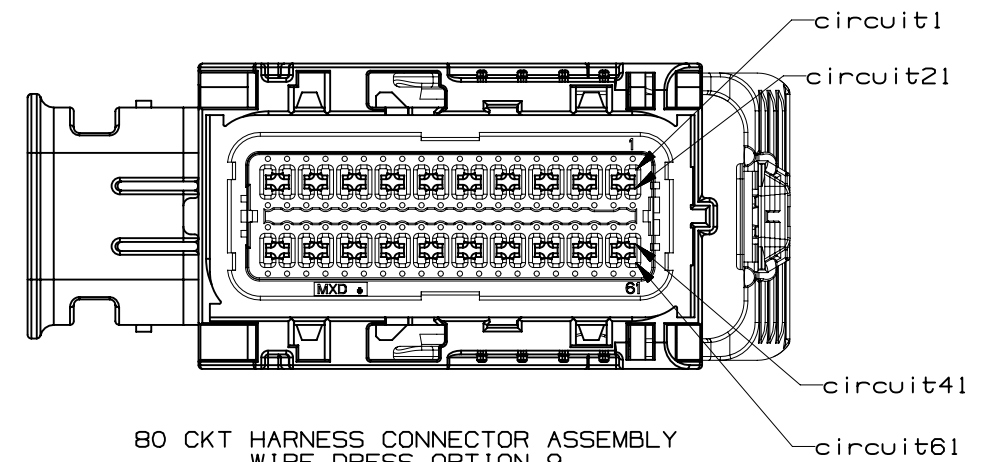


80 CKT HARNESS CONNECTOR ASSEMBLY
WIRE DRESS OPTION 0

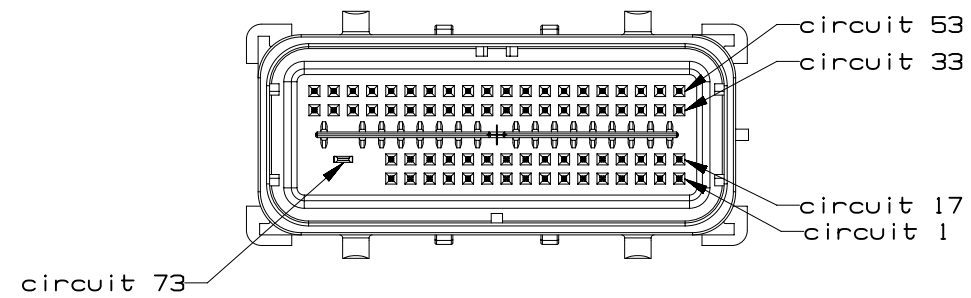
INTERFACE SIDE SHOWN ON ALL VIEWS



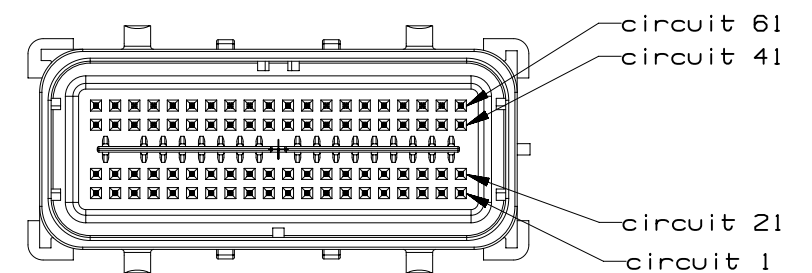
73 CKT HARNESS CONNECTOR ASSEMBLY
WIRE DRESS OPTION 9



80 CKT HARNESS CONNECTOR ASSEMBLY
WIRE DRESS OPTION 9

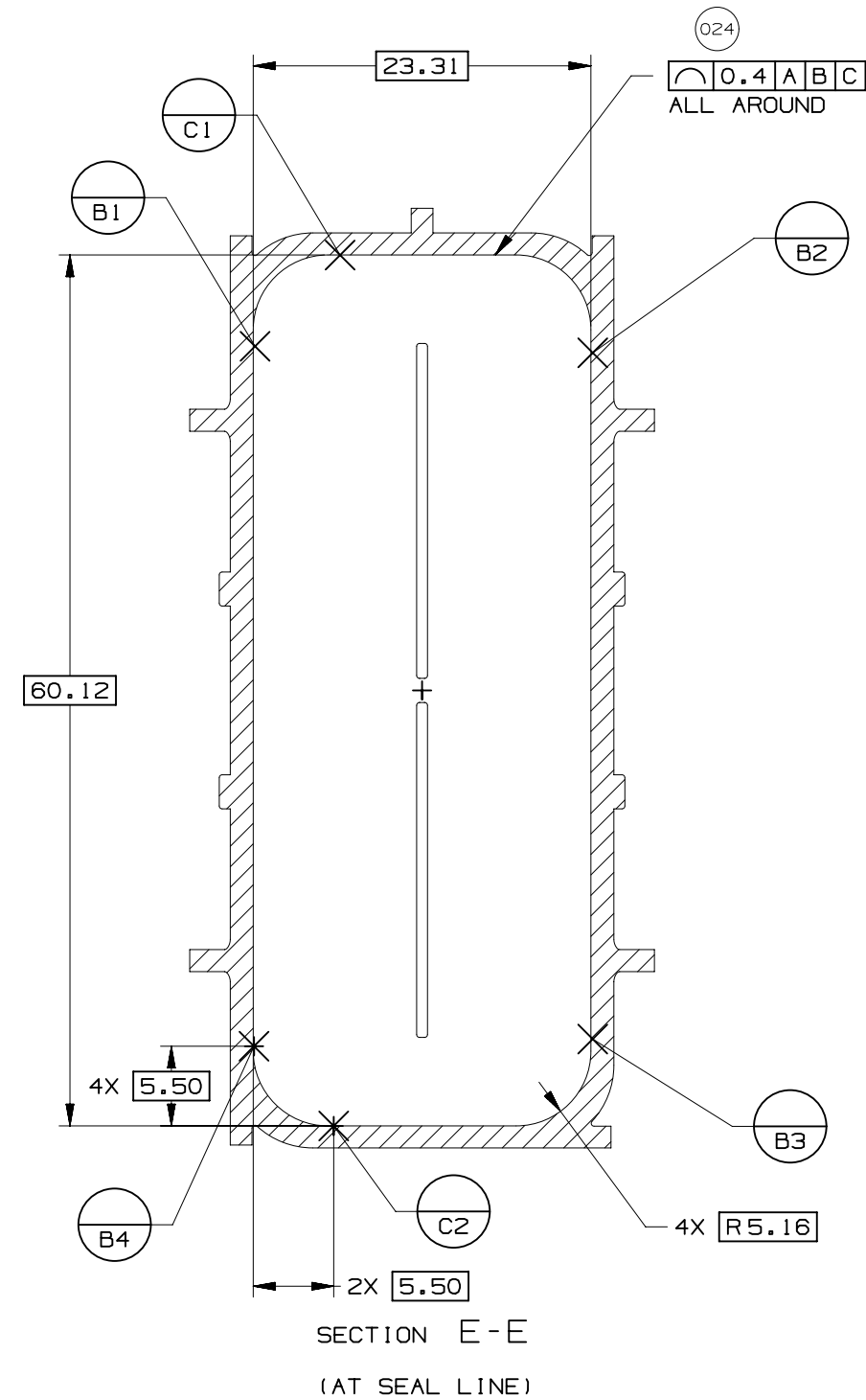
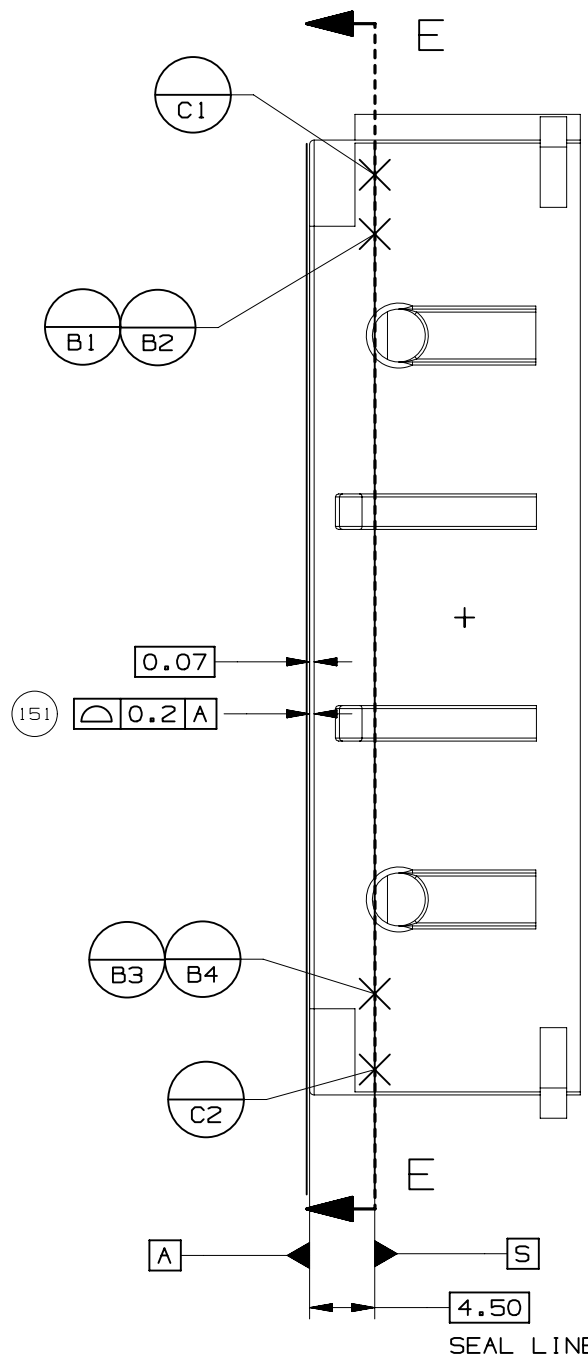
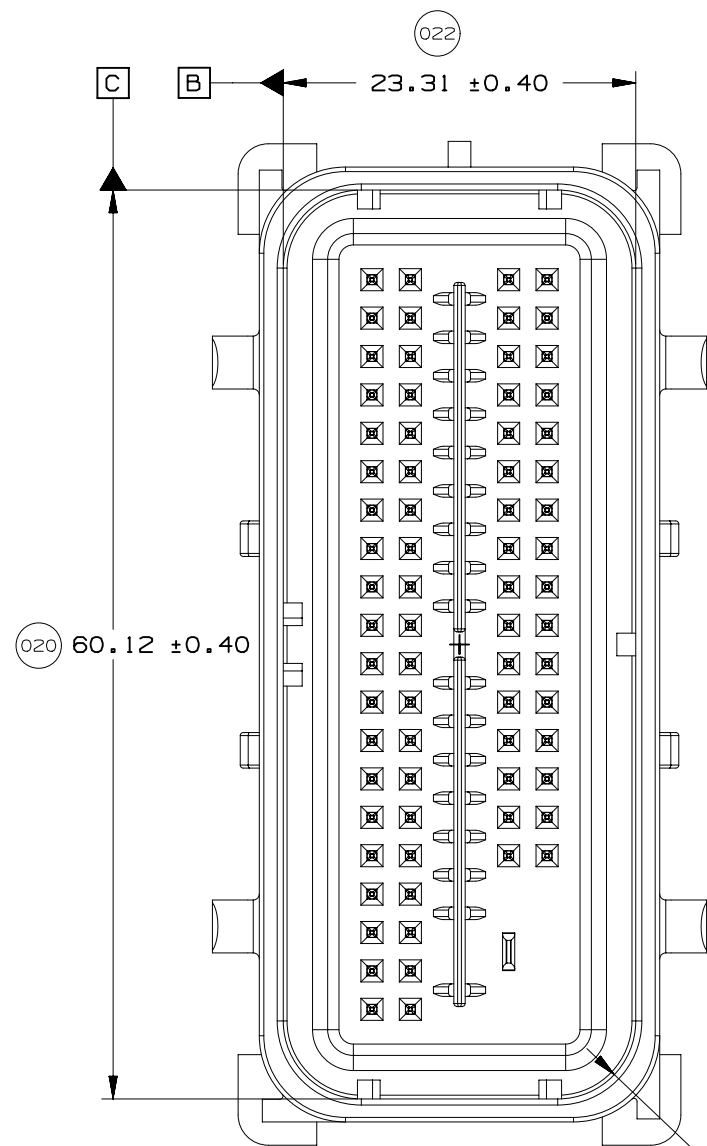
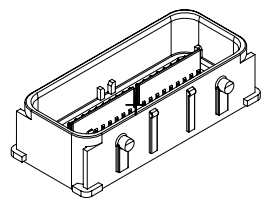


73 CKT COMPONENT CONNECTOR INTERFACE



80 CKT COMPONENT CONNECTOR INTERFACE





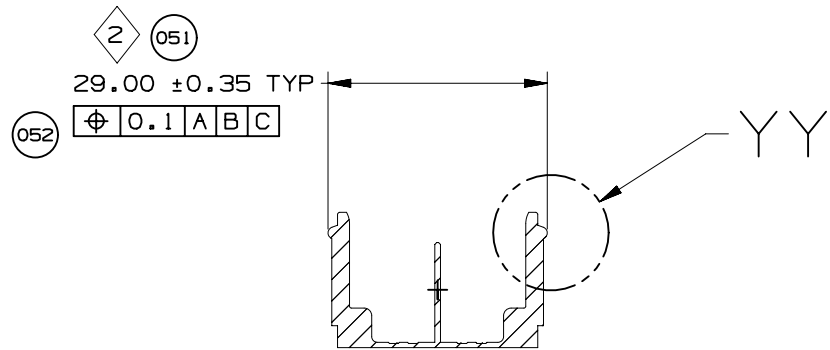
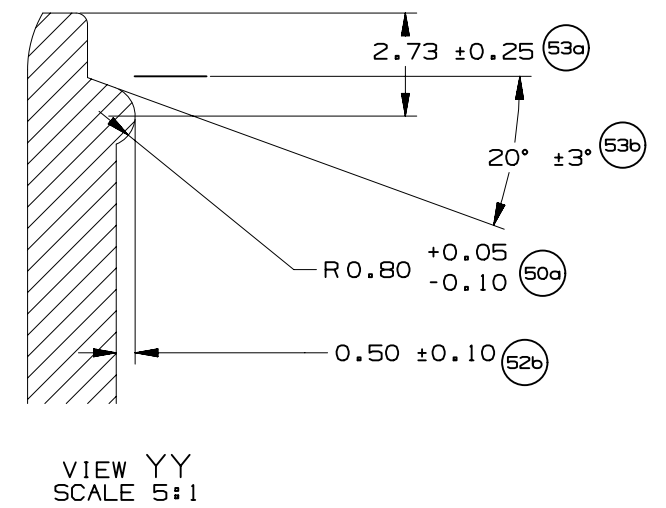
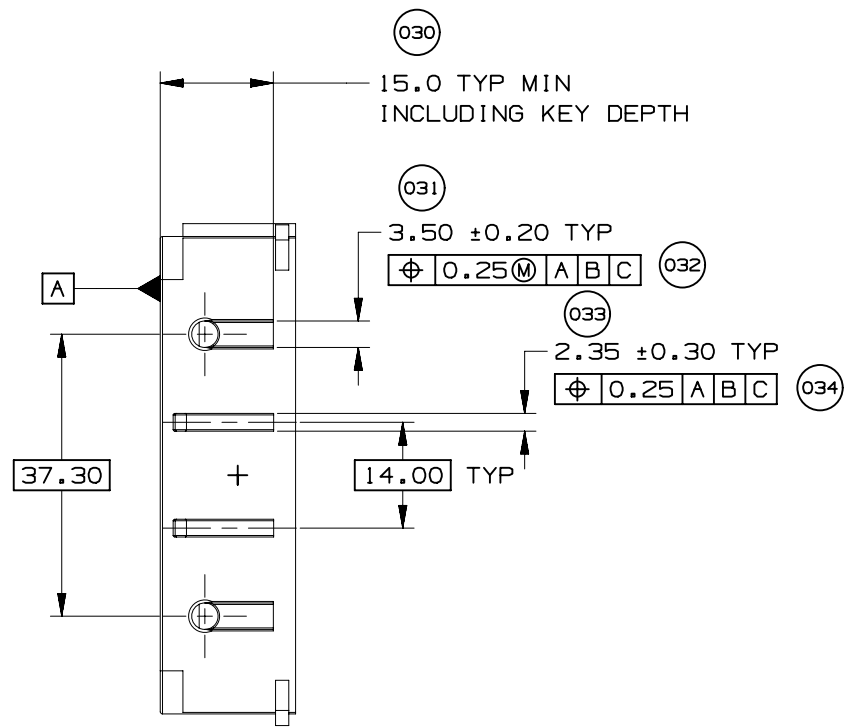
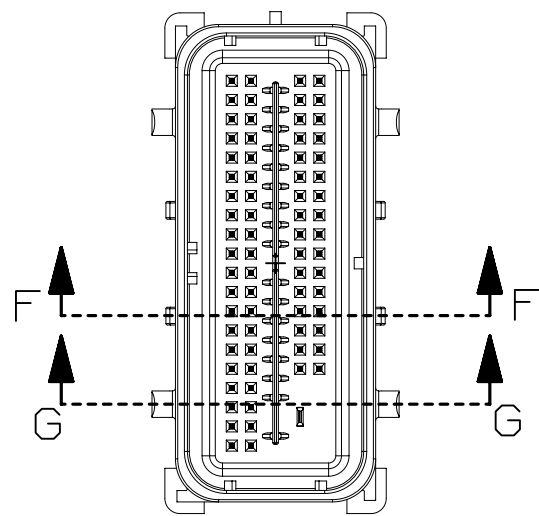
UNLESS SPECIFIED, TOLERANCE OF THE COMPONENT CONNECTOR INTERFACE TO BE $\sqrt[0.13]{A B C}$



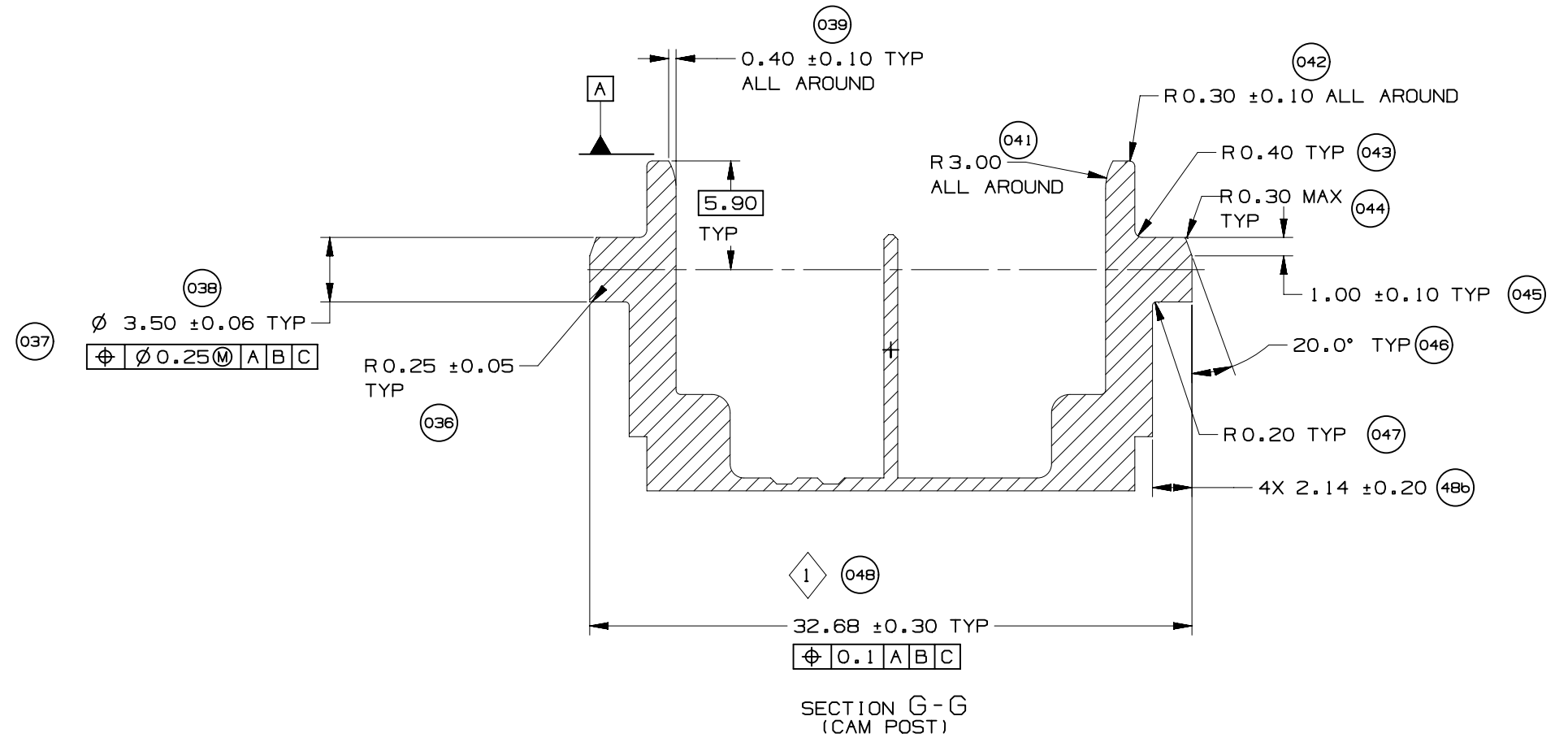
PAGE TITLE
COMPONENT CONNECTOR INTERFACE

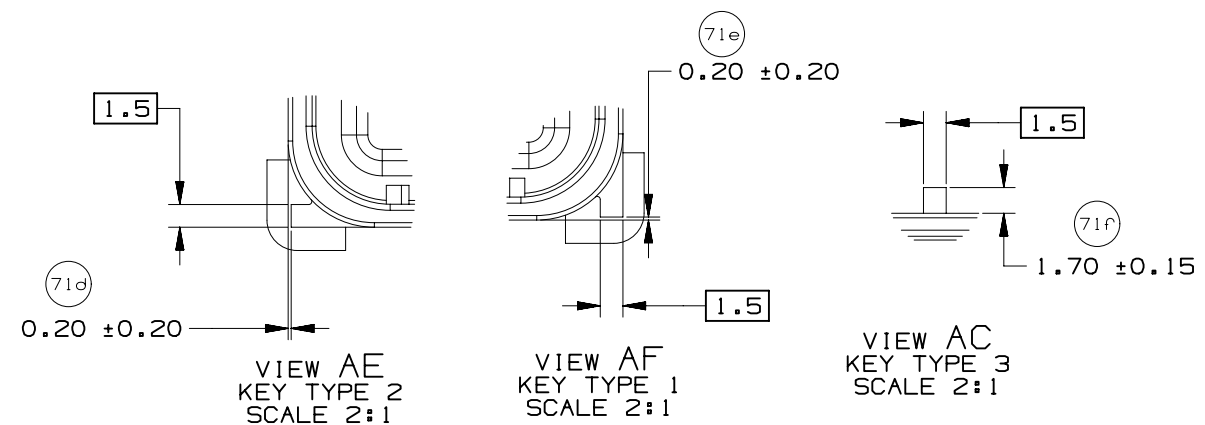
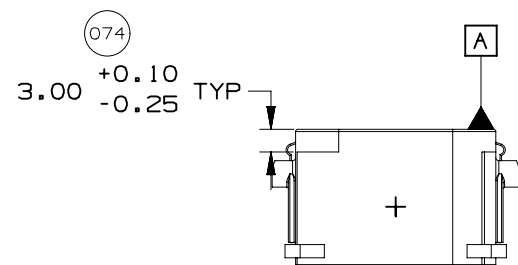
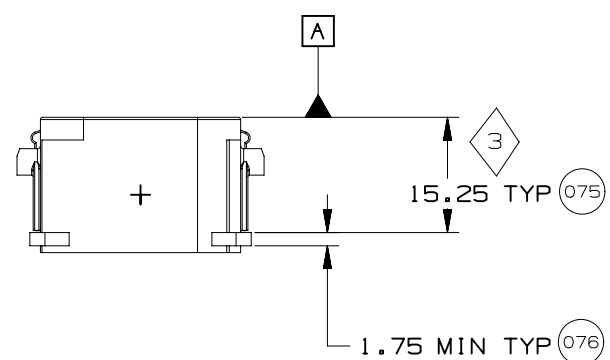
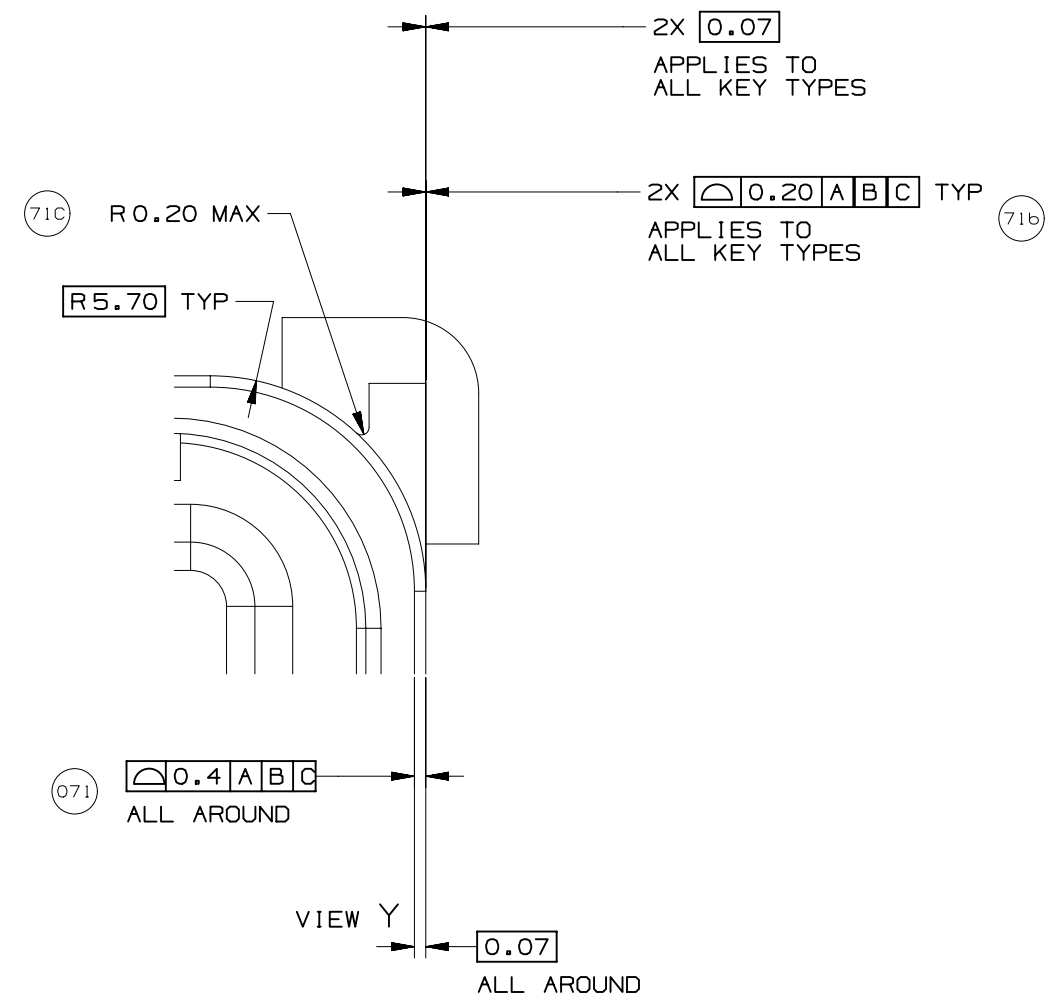
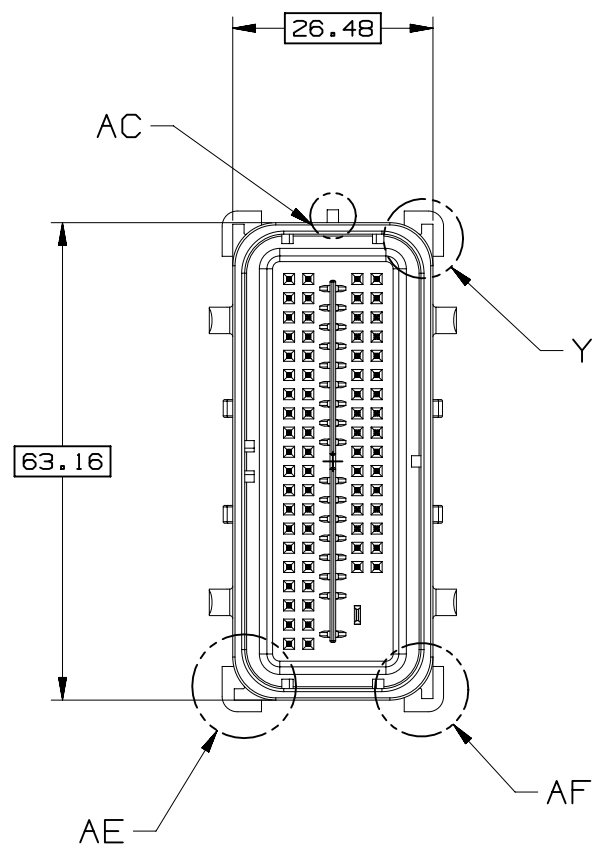
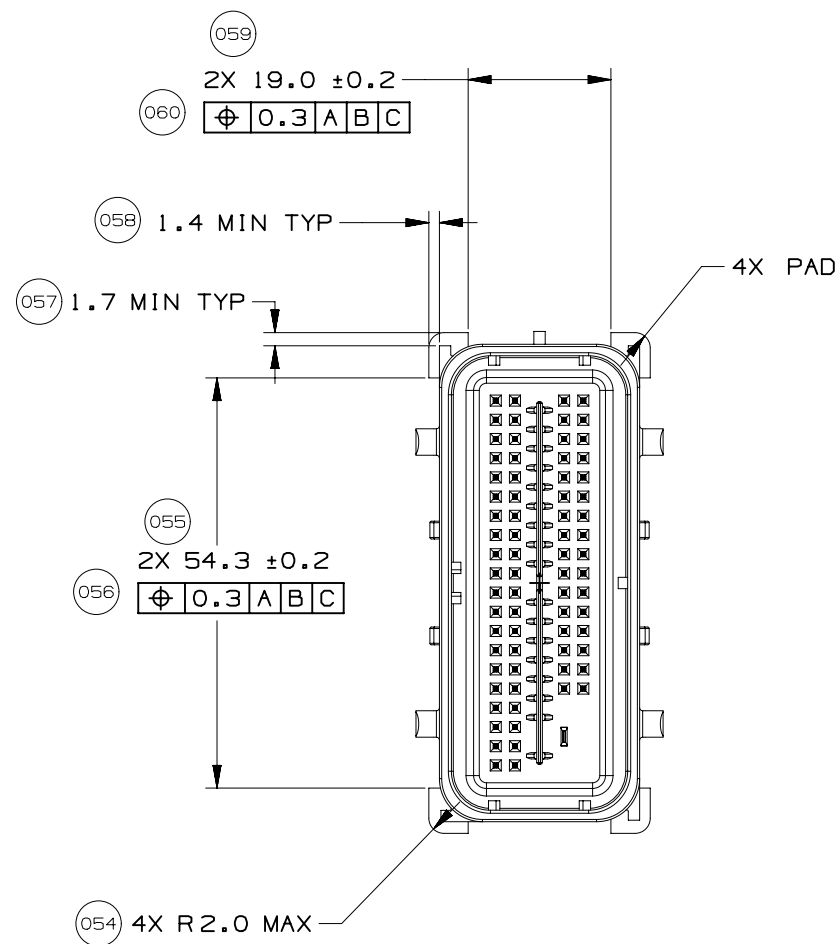
DRAWING NUMBER
12672833

DWG STATUS			PAGE NUMBER
ST	REV	PD1	
R	001		15 OF 22



SECTION F-F
(RELEASE FEATURE)

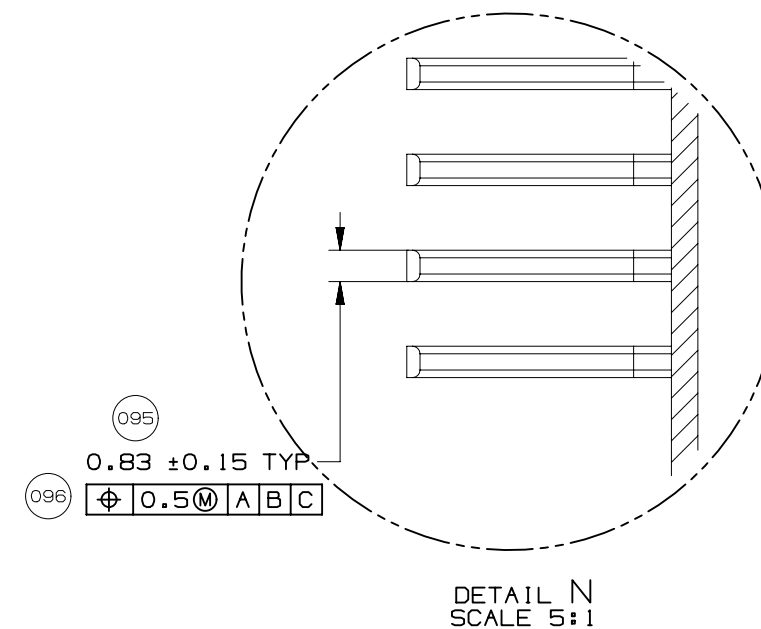
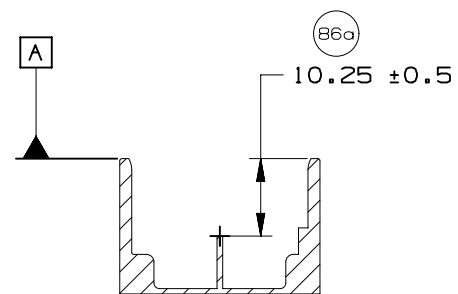
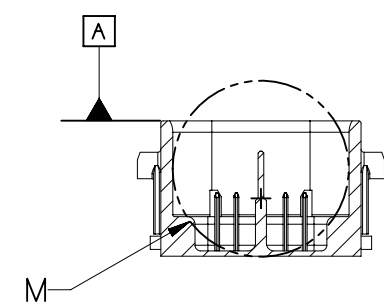
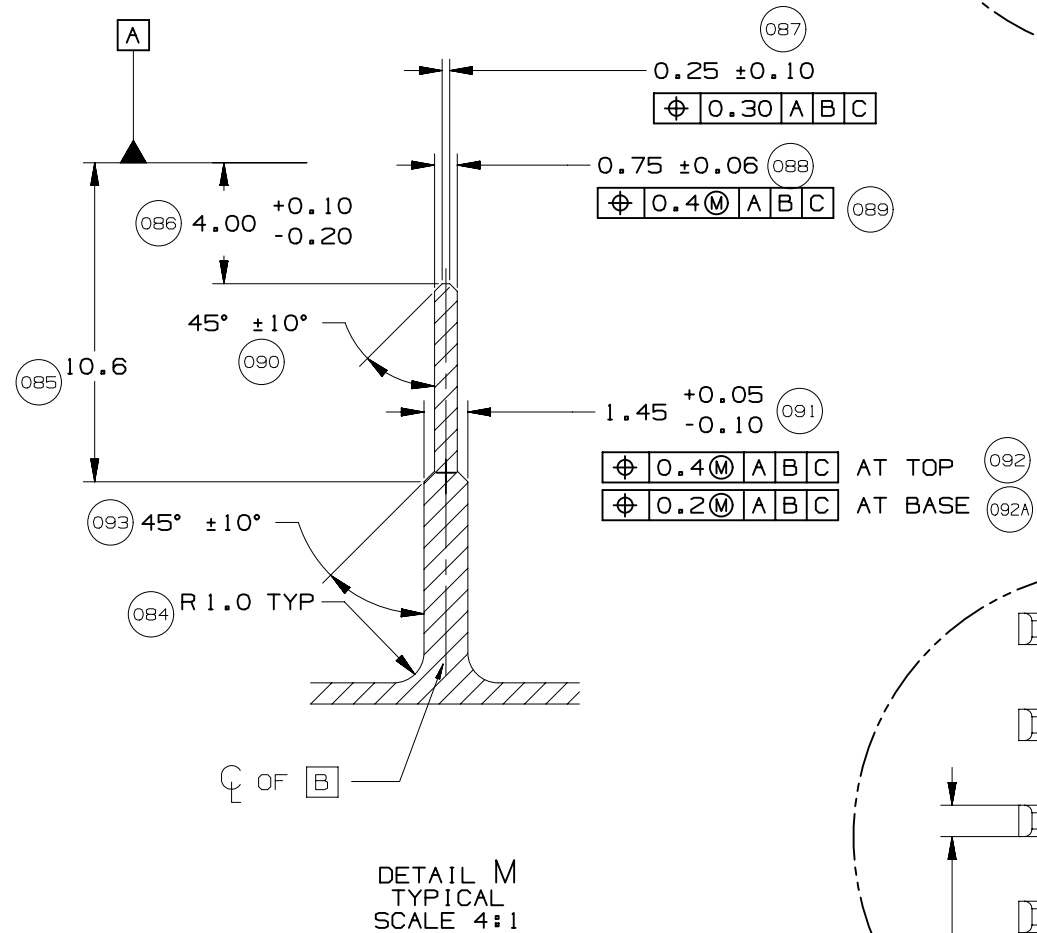
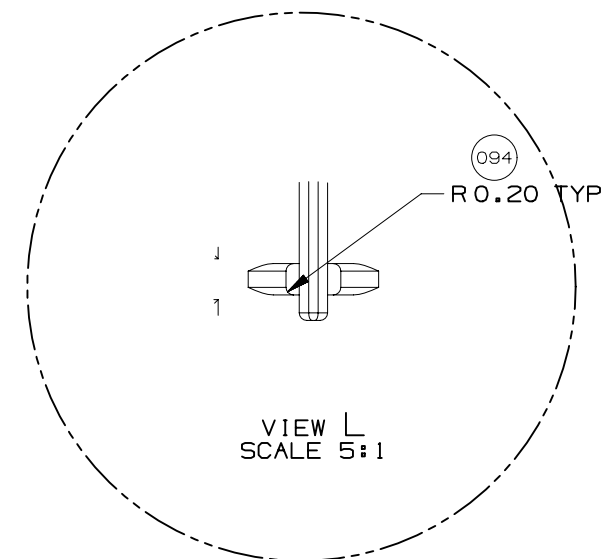
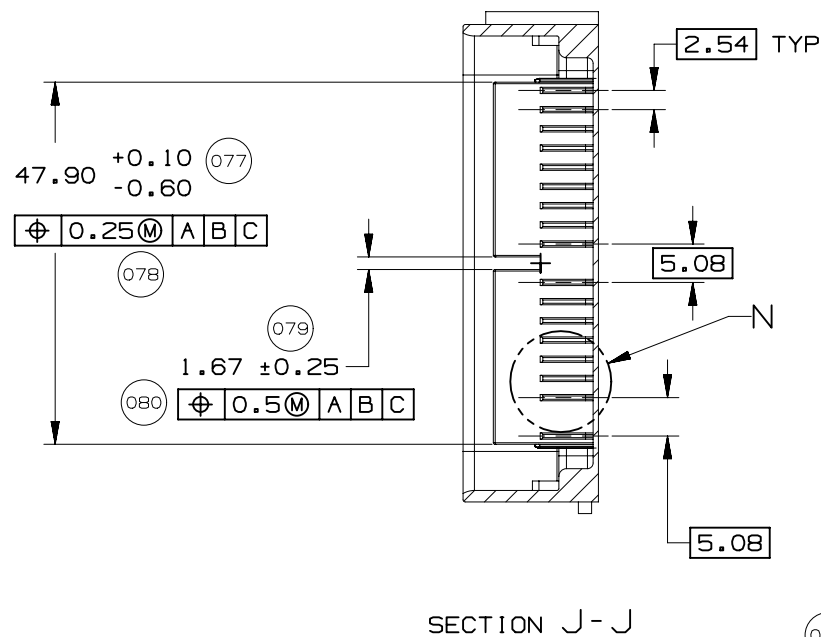
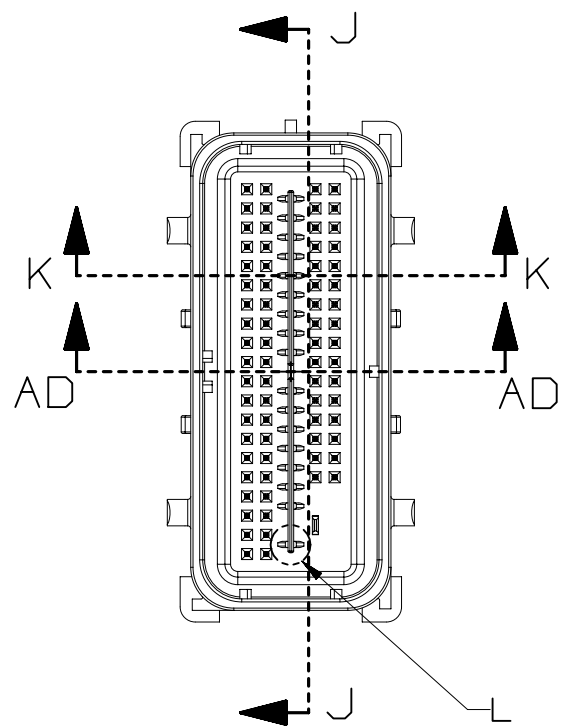


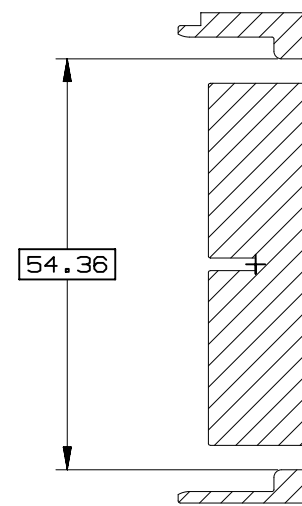
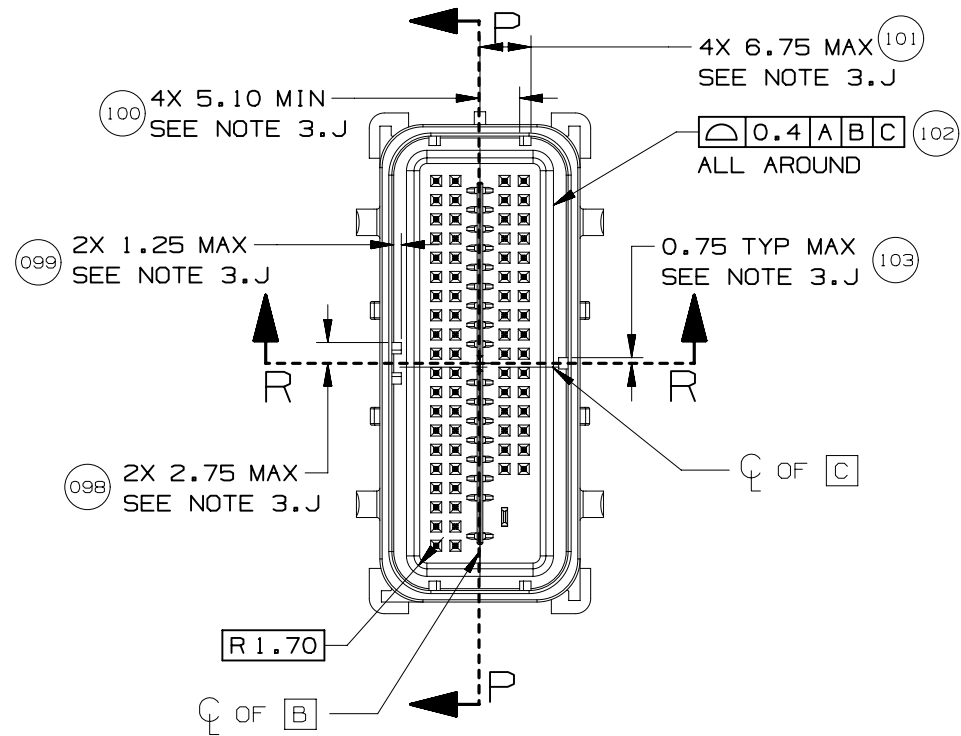


PAGE TITLE
 COMPONENT CONNECTOR INTERFACE

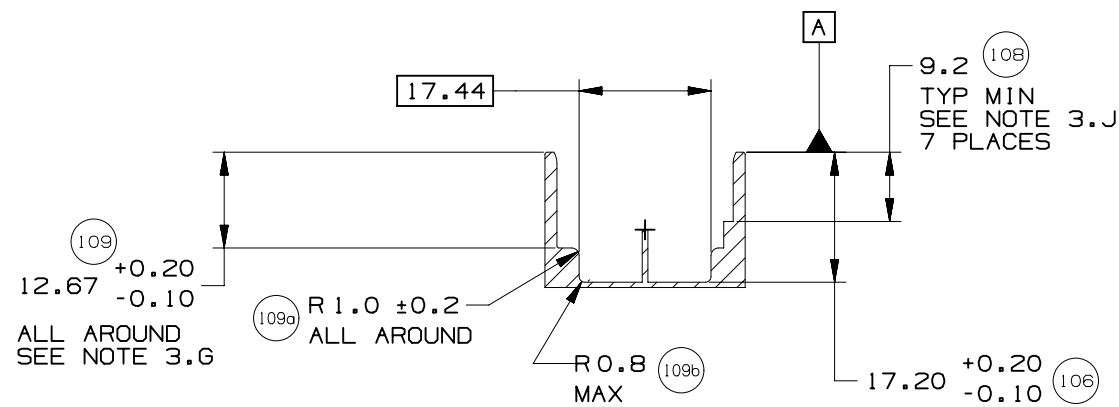
DRAWING NUMBER
 12672833

DWG STATUS			PAGE NUMBER	
ST	REV	PD1		
R	001		17	OF 22





SECTION P-P



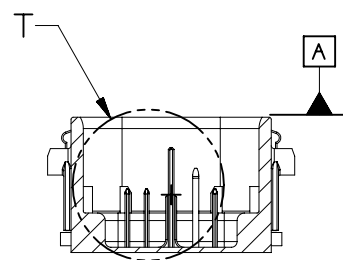
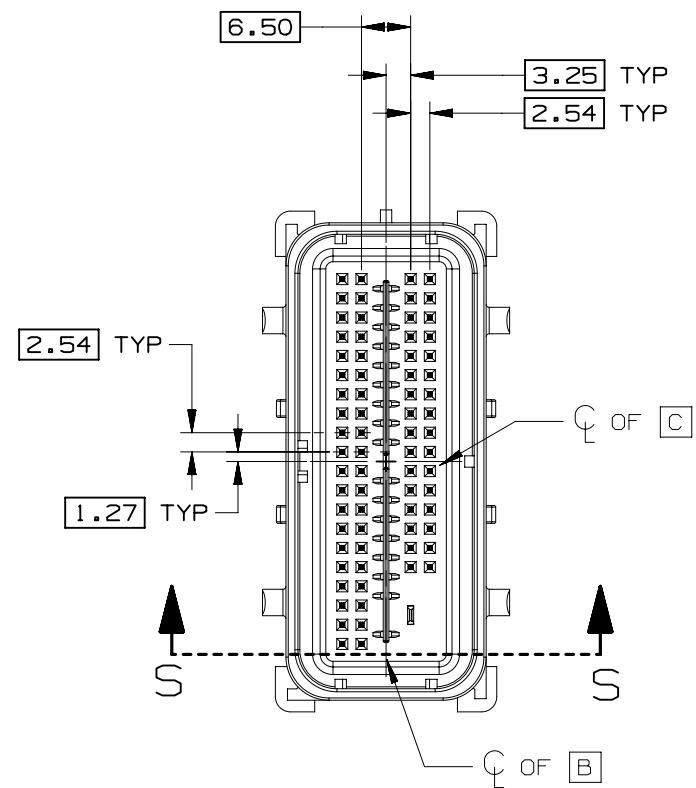
SECTION R-R



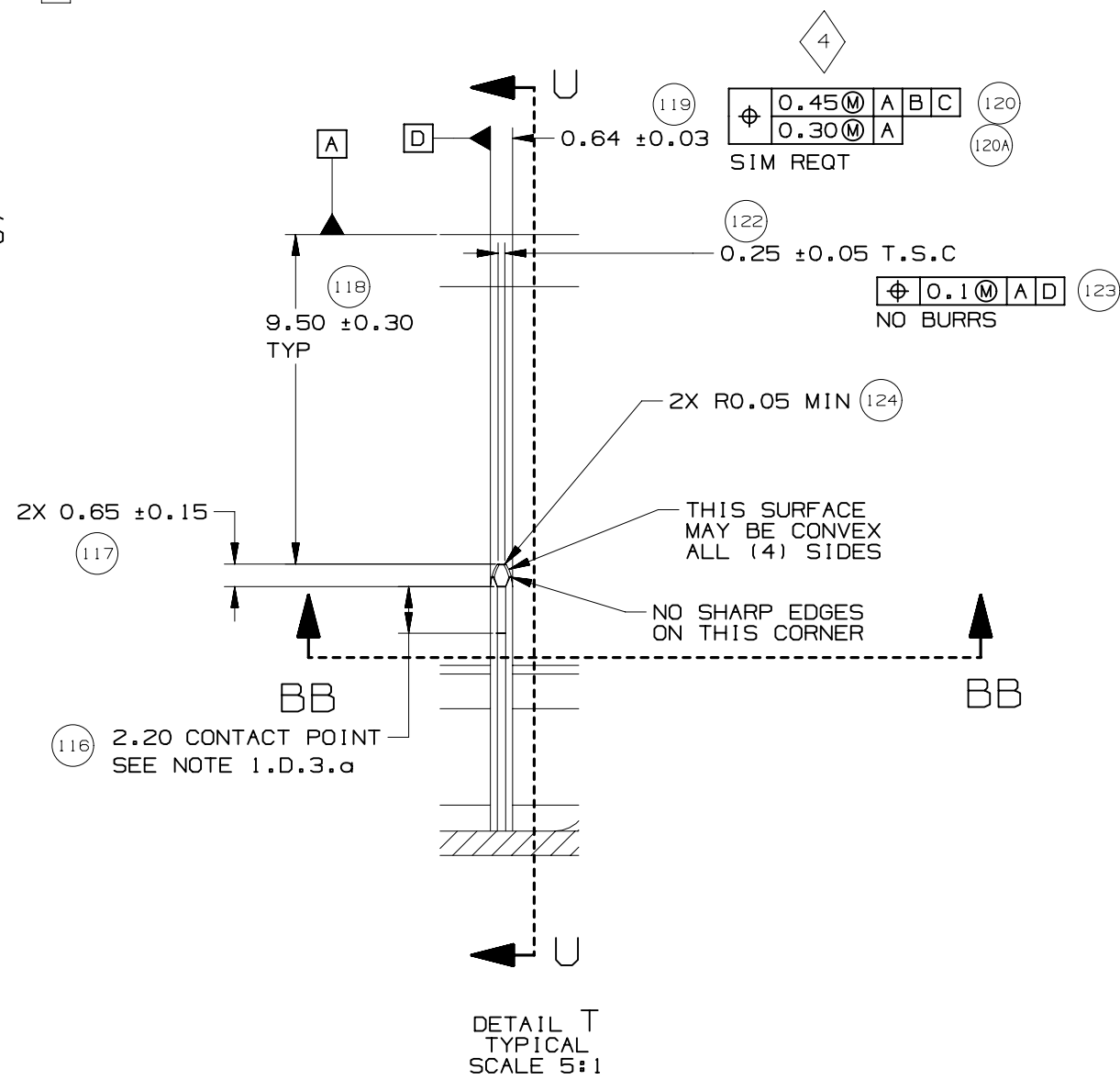
PAGE TITLE
COMPONENT CONNECTOR INTERFACE

DRAWING NUMBER
12672833

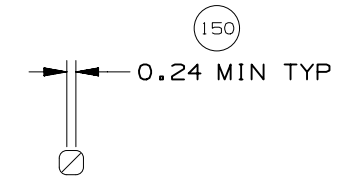
DWG STATUS			PAGE NUMBER	
ST	REV	PD1	19	OF 22
R	001			



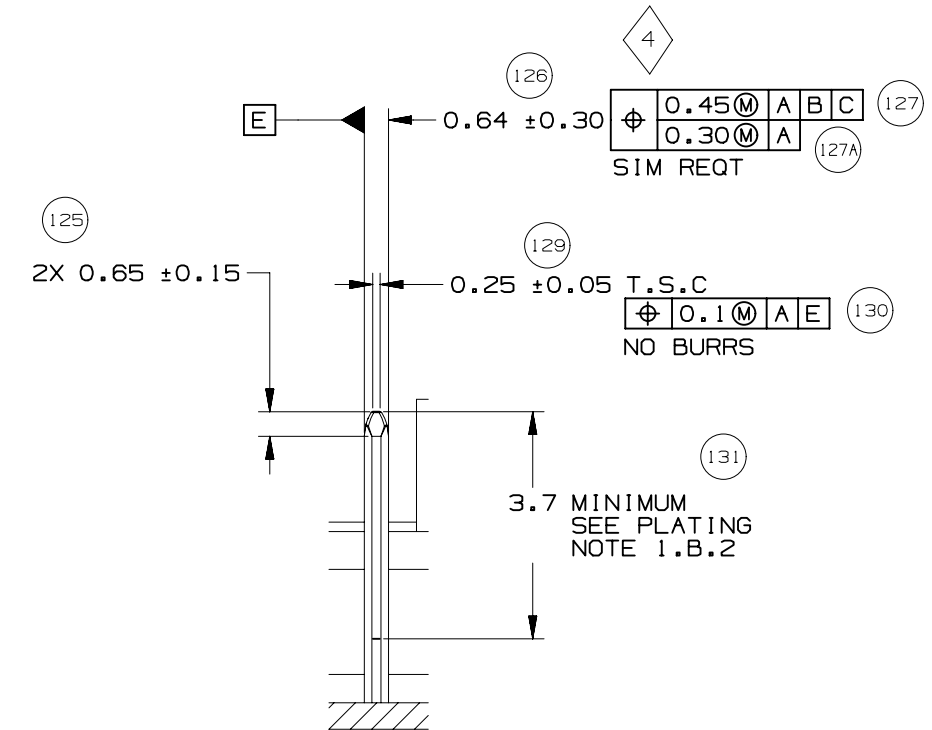
SECTION S-S



DETAIL T
TYPICAL
SCALE 5:1

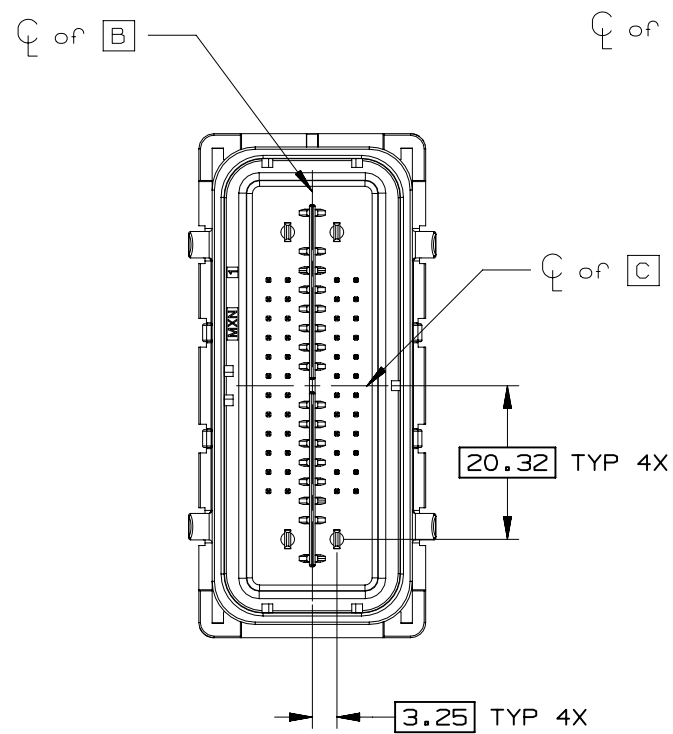


SECTION BB-BB

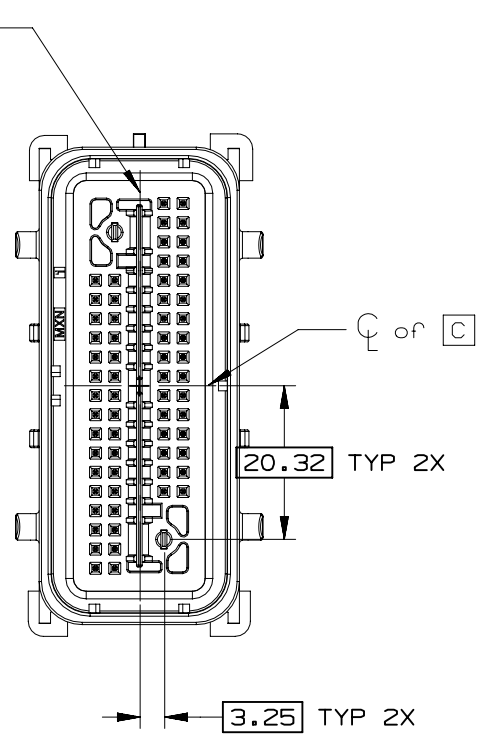


SECTION U-U
TYPICAL

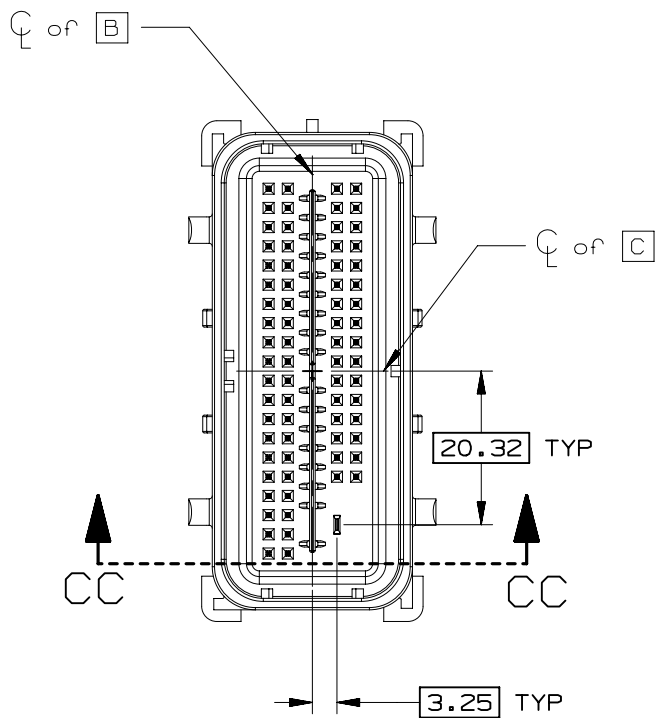




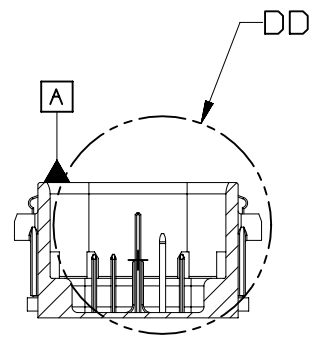
52 CKT COMPONENT
CONNECTOR INTERFACE



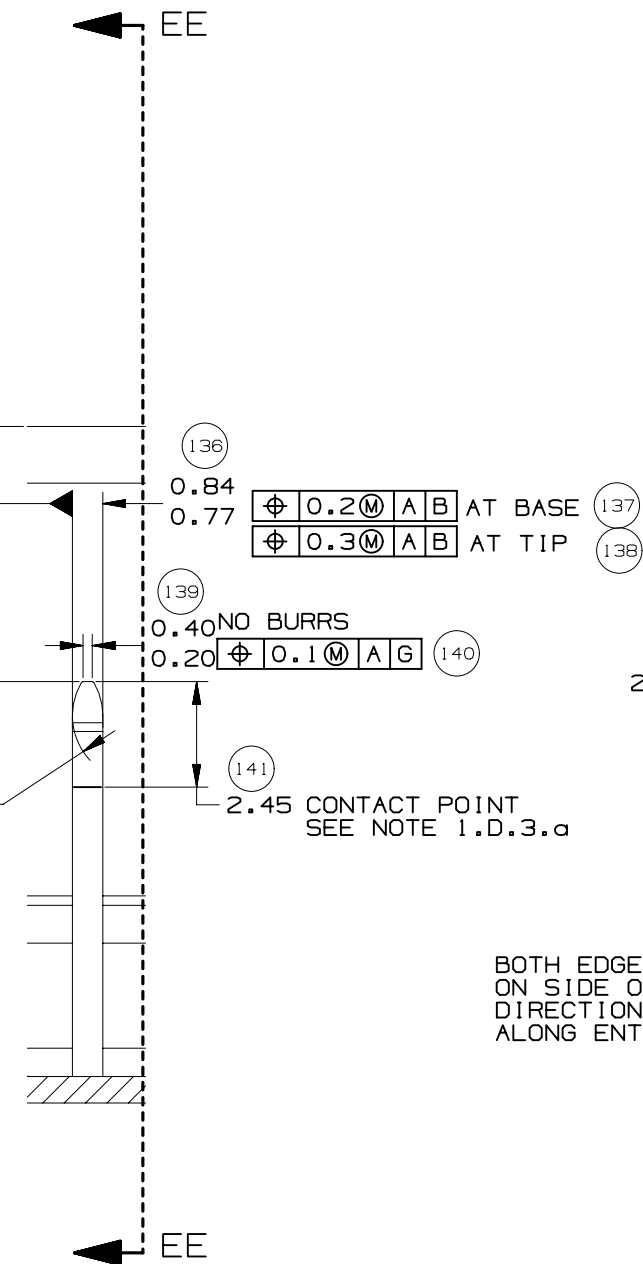
66 CKT COMPONENT
CONNECTOR INTERFACE



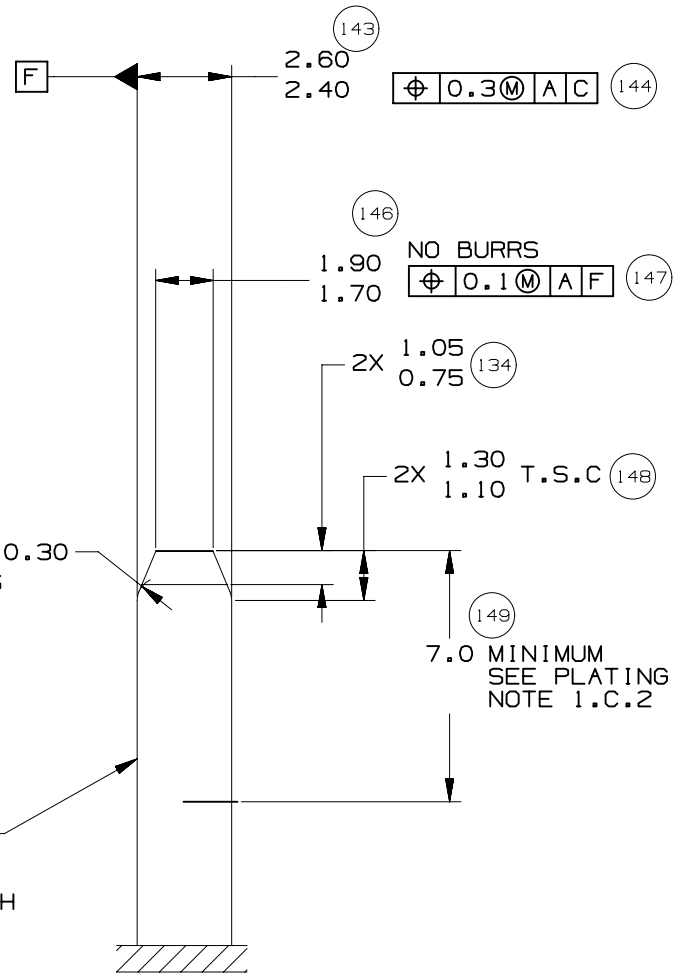
73 CKT COMPONENT
CONNECTOR INTERFACE



SECTION CC-CC



DETAIL DD
TYPICAL
SCALE 5:1

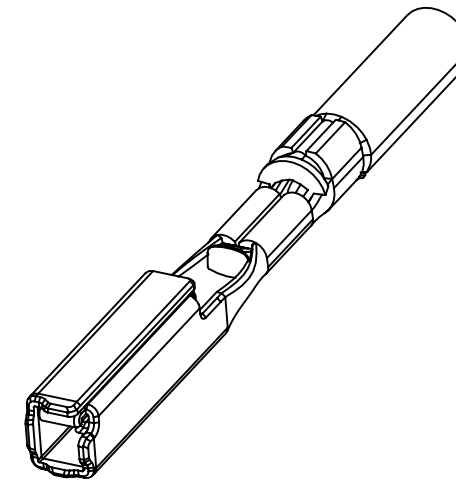
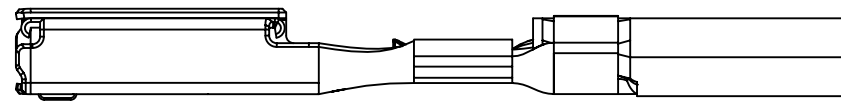
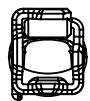


SECTION EE-EE
TYPICAL



MOLEX MX64 RECEPTACLE TERMINAL INFORMATION

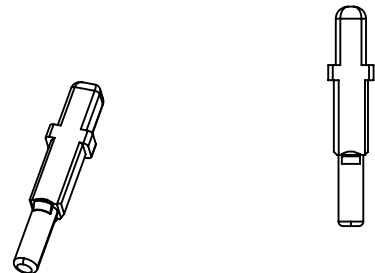
ITEM	MOLEX P/N	GM P/N	WIRE SIZE MM2	TYPE	PLATING	REEL WIND DIRECTION	COMMENTS
1	34736-0025		0.35	ISO	SILVER	LEFT	
2	34736-0026	12672850	0.35	ISO	SILVER	RIGHT	
3	34736-0027		0.5 / 0.75	ISO	SILVER	LEFT	
4	34736-0028	12672851	0.5 / 0.75	ISO	SILVER	RIGHT	



CAVITY PLUGS

ITEM	MFG	MFG P/N	GM P/N RD	SIZE	COLOR	MFG DRAWING	PROD SPEC	APP SPEC	COMMENTS
1	MOLEX	34586-0001	12674820	0.64	NATURAL	SD-34586-001	PS-34566-0000	AS-34566-001	
2	YAZAKI	7158-3114-90	12674821	2.8	BLUE	7158-3114-90	YPES-11-04-062	YPES-15-299	

ITEM 1



ITEM 2

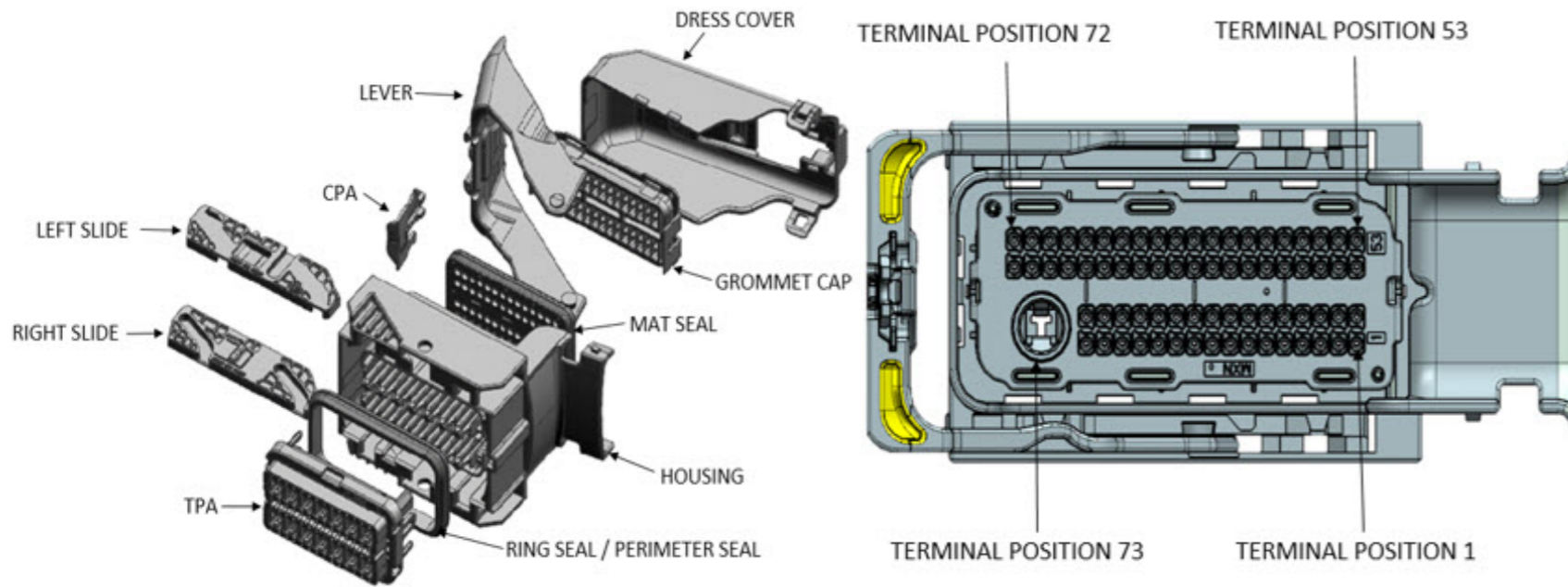


PAGE TITLE
ADDITIONAL COMPONENTS REQUIRED

DRAWING NUMBER
12672833

DWG STATUS		
ST	REV	PD1
R	001	

PAGE NUMBER
22 OF 22



ABBREVIATION	DESCRIPTION	COLOR	MATERIAL
G-CAP-0-P	GROMMET CAP OPTION 0 PLUGGED	BLACK	SPS/PA, G.F 30%
G-CAP-0-O	GROMMET CAP OPTION 0 ALL OPEN	BLACK	SPS/PA, G.F 30%
G-CAP-9-P	GROMMET CAP OPTION 9 PLUGGED	BLACK	SPS/PA, G.F 30%
G-CAP-9-O	GROMMET CAP OPTION 9 ALL OPEN	BLACK	SPS/PA, G.F 30%
C-HSG-A0	CONNECTOR HOUSING KEY A - WDC OPT 0	BLACK	SPS/PA, G.F 30%
C-HSG-B0	CONNECTOR HOUSING KEY B - WDC OPT 0	BLACK	SPS/PA, G.F 30%
C-HSG-C0	CONNECTOR HOUSING KEY C - WDC OPT 0	BLACK	SPS/PA, G.F 30%
C-HSG-D0	CONNECTOR HOUSING KEY D - WDC OPT 0	BLACK	SPS/PA, G.F 30%
C-HSG-E0	CONNECTOR HOUSING KEY E - WDC OPT 0	BLACK	SPS/PA, G.F 30%
C-HSG-F0	CONNECTOR HOUSING KEY F - WDC OPT 0	BLACK	SPS/PA, G.F 30%
C-HSG-A9	CONNECTOR HOUSING KEY A - WDC OPT 9	BLACK	SPS/PA, G.F 30%
C-HSG-B9	CONNECTOR HOUSING KEY B - WDC OPT 9	BLACK	SPS/PA, G.F 30%
C-HSG-C9	CONNECTOR HOUSING KEY C - WDC OPT 9	BLACK	SPS/PA, G.F 30%
C-HSG-D9	CONNECTOR HOUSING KEY D - WDC OPT 9	BLACK	SPS/PA, G.F 30%
C-HSG-E9	CONNECTOR HOUSING KEY E - WDC OPT 9	BLACK	SPS/PA, G.F 30%
C-HSG-F9	CONNECTOR HOUSING KEY F - WDC OPT 9	BLACK	SPS/PA, G.F 30%
TPA-A0	TERMINAL POSITION ASSURANCE (TPA) OPTION 0	BLACK	SPS/PA, G.F 30%
TPA-B0	TERMINAL POSITION ASSURANCE (TPA) OPTION 0	STONE GRAY	SPS/PA, G.F 30%
TPA-C0	TERMINAL POSITION ASSURANCE (TPA) OPTION 0	BLUE	SPS/PA, G.F 30%
TPA-D0	TERMINAL POSITION ASSURANCE (TPA) OPTION 0	BROWN	SPS/PA, G.F 30%
TPA-E0	TERMINAL POSITION ASSURANCE (TPA) OPTION 0	GREEN	SPS/PA, G.F 30%
TPA-F0	TERMINAL POSITION ASSURANCE (TPA) OPTION 0	NATURAL	SPS/PA, G.F 30%
TPA-A0-1	TERMINAL POSITION ASSURANCE (TPA) OPTION 0	BLACK	SPS/PA, G.F 30%
TPA-B0-1	TERMINAL POSITION ASSURANCE (TPA) OPTION 0	STONE GRAY	SPS/PA, G.F 30%
TPA-C0-1	TERMINAL POSITION ASSURANCE (TPA) OPTION 0	BLUE	SPS/PA, G.F 30%
TPA-A9	TERMINAL POSITION ASSURANCE (TPA) OPTION 9	BLACK	SPS/PA, G.F 30%
TPA-B9	TERMINAL POSITION ASSURANCE (TPA) OPTION 9	STONE GRAY	SPS/PA, G.F 30%
TPA-C9	TERMINAL POSITION ASSURANCE (TPA) OPTION 9	BLUE	SPS/PA, G.F 30%
TPA-D9	TERMINAL POSITION ASSURANCE (TPA) OPTION 9	BROWN	SPS/PA, G.F 30%
TPA-E9	TERMINAL POSITION ASSURANCE (TPA) OPTION 9	GREEN	SPS/PA, G.F 30%
TPA-F9	TERMINAL POSITION ASSURANCE (TPA) OPTION 9	NATURAL	SPS/PA, G.F 30%
MAL	MATE ASSIST LEVER	BLACK	SPS/NYLON GF30
RS	SLIDE - RIGHT	BLACK	PBT W/PTFE, G.F. 30%
LS	SLIDE - LEFT	BLACK	PBT W/PTFE, G.F. 30%
CVRBLACK	DRESS COVER BLACK	BLACK	PBT, G.F. 30%
CVRGRAY	DRESS COVER GRAY	GRAY	PBT, G.F. 30%
CVRBLUE	DRESS COVER BLUE	BLUE	PBT, G.F. 30%
CVRBROWN	DRESS COVER BROWN	BROWN	PBT, G.F. 30%
CVRGREEN	DRESS COVER GREEN	GREEN	PBT, G.F. 30%
CVRNATURAL	DRESS COVER NATURAL	NATURAL	PBT, G.F. 30%
CVRYELLOW	DRESS COVER YELLOW	YELLOW	PBT, G.F. 30%
CPA	CONNECTOR POSITION ASSURANCE (CPA)	RED	PPE/PA 10% GF
MSEAL	MAT SEAL	RUST RED	INHERENTLY LUBRICATED SILICONE RUBBER
RSEAL	RING SEAL	RUST RED	INHERENTLY LUBRICATED SILICONE RUBBER

FOR ADDITIONAL INFORMATION SEE SD-34566-001

ASSEMBLY DESCRIPTION	ASSEMBLY PART NUMBER	CONNECTOR HOUSING	GROMMET CAP	TPA	RIGHT SLIDE	LEFT SLIDE	MATE ASSIST LEVER	CPA	MAT SEAL	RING SEAL	BLOCKED TERMINALS																STATUS	COMMENTS	INTEGRAL COMPONENTS SOLD SEPARATELY										
											CAVITY WITH A NUMBER INDICATES BLOCKED TERMINAL POSITION CAVITY WITHOUT A NUMBER INDICATES OPEN TERMINAL POSITION																												
											DRESS COVER																												
MX123 CONN ASSY 73 CKT BLK OPT0 KEY A/54	345660004	C-HSG-A0	G-CAP-0-P	TPA-A0	RS	LS	MAL	CPA	MSEAL	RSEAL	-	-	-	-	68	-	66	65	-	-	62	-	-	-	58	-	-	-	-	-									
											-	-	50	49	-	47	46	-	-	42	-	-	-	-	-	-	-	-	-	-	-	-	-	-	-	-	-	-	
											-	-	-	-	-	-	-	-	28	-	-	-	24	23	-	21	20	-	-	17	-	-	-	-	-	-	-	-	-
											-	-	-	-	-	-	-	-	-	-	-	-	-	-	-	-	4	3	-	-	-	-	-	-	-	-	-	-	-
MX123 CONN ASSY 73 CKT BLK OPT0 KEY A/52	345660044	C-HSG-A0	G-CAP-0-P	TPA-A0	RS	LS	MAL	CPA	MSEAL	RSEAL	-	-	-	-	68	-	66	65	-	63	62	-	-	-	58	-	-	-	-	-									
											-	-	50	49	-	47	46	-	-	42	-	-	-	-	-	-	-	-	-	-	-	-	-	-	-	-	-		
											-	-	-	-	-	-	-	-	28	-	-	-	24	23	-	21	20	-	-	17	-	-	-	-	-	-	-	-	-
											-	-	-	-	-	-	-	-	-	-	-	-	-	-	-	-	-	4	-	-	1	-	-	-	-	-	-	-	-
MX123 CONN ASSY 73 CKT BLK OPT0 KEY A/53	345660064	C-HSG-A0	G-CAP-0-P	TPA-A0	RS	LS	MAL	CPA	MSEAL	RSEAL	-	-	-	-	68	-	66	65	-	-	62	-	-	-	58	-	-	-	-	-									
											-	-	50	49	-	47	46	-	-	42	-	-	-	-	-	-	-	-	-	-	-	-	-	-	-	33	-	-	
											-	-	-	-	-	-	-	-	28	-	-	-	24	23	-	21	20	-	-	17	-	-	-	-	-	-	-	-	-
											-	-	-	-	-	-	-	-	-	-	-	-	-	-	-	-	-	4	3	-	-	-	-	-	-	-	-	-	-

ASSEMBLY DESCRIPTION	ASSEMBLY PART NUMBER	CONNECTOR HOUSING	GROMMET CAP	TPA	RIGHT SLIDE	LEFT SLIDE	MATE ASSIST LEVER	CPA	MAT SEAL	RING SEAL	BLOCKED TERMINALS																		STATUS	COMMENTS	INTEGRAL COMPONENTS SOLD SEPARATELY				
											CAVITY WITH A NUMBER INDICATES BLOCKED TERMINAL POSITION CAVITY WITHOUT A NUMBER INDICATES OPEN TERMINAL POSITION																				DRESS COVER				
MX123 CONN ASSY 73 CKT BLK OPT0 KEY A/48	345660084	C-HSG-A0	G-CAP-0-P	TPA-A0	RS	LS	MAL	CPA	MSEAL	RSEAL	72	71	-	-	68	-	66	65	-	63	62	-	-	-	58	-	-	-	-	-					
											-	-	50	49	-	47	46	-	-	43	42	-	-	-	-	-	-	-	-	-	-	-	-	-	-
															32	-	-	-	28	-	-	-	24	23	-	21	20	-	18	17	-	-	-	-	-
MX123 CONN ASSY 73 CKT GRY OPT0 KEY B/61	345660094	C-HSG-B0	G-CAP-0-P	TPA-B0	RS	LS	MAL	CPA	MSEAL	RSEAL	-	-	-	-	-	-	66	-	-	-	-	-	-	-	58	-	-	-	-	-					
											-	-	-	-	-	-	-	-	-	-	-	41	-	-	38	37	-	-	-	-	-	-	-	-	-
															-	-	-	-	-	-	-	-	-	-	-	20	19	18	17	-	-	-	-	-	-
MX123 CONN ASSY 73 CKT BLK OPT0 KEY A/73	345660103	C-HSG-A0	G-CAP-0-P	TPA-A0	RS	LS	MAL	CPA	MSEAL	RSEAL	-	-	-	-	-	-	-	-	-	-	-	-	-	-	-	-	-	-	-						
											-	-	-	-	-	-	-	-	-	-	-	-	-	-	-	-	-	-	-	-	-	-	-	-	-
															-	-	-	-	-	-	-	-	-	-	-	-	-	-	-	-	-	-	-	-	-
MX123 CONN ASSY 73 CKT GRY OPT0 KEY B/58	345660104	C-HSG-B0	G-CAP-0-P	TPA-B0	RS	LS	MAL	CPA	MSEAL	RSEAL	-	-	-	-	-	-	66	-	-	-	-	-	-	-	58	-	-	-	-	-					
											52	51	-	-	-	-	-	45	-	-	-	41	-	-	38	37	-	-	-	-	-	-	-	-	-
															-	-	-	-	-	-	-	-	-	-	-	20	19	18	17	-	-	-	-	-	-
MX123 CONN ASSY 73 CKT GRY OPT0 KEY B/46	345660114	C-HSG-B0	G-CAP-0-P	TPA-B0	RS	LS	MAL	CPA	MSEAL	RSEAL	-	-	-	-	68	67	66	65	-	-	62	-	60	59	-	-	-	-	54	53					
											-	-	-	-	48	47	46	45	44	-	42	41	40	39	-	-	-	-	35	34	-	-	-	-	-
															-	31	-	-	-	27	-	-	-	-	-	-	-	-	19	18	17	-	-	-	-
MX123 CONN ASSY 73 CKT GRY OPT0 KEY B/26	345660124	C-HSG-B0	G-CAP-0-P	TPA-B0	RS	LS	MAL	CPA	MSEAL	RSEAL	-	71	70	69	68	67	66	65	64	63	-	-	-	-	58	57	56	-	54	53					
											-	51	50	49	-	-	-	45	44	43	42	41	-	39	38	37	36	35	34	-	-	-	-	-	-
															32	31	-	29	28	27	26	25	24	23	-	-	-	-	-	-	-	-	-	-	-
MX123 CONN ASSY 73 CKT GRY OPT0 KEY B/30	345660134	C-HSG-B0	G-CAP-0-P	TPA-B0	RS	LS	MAL	CPA	MSEAL	RSEAL	-	71	70	69	68	67	66	65	64	63	-	-	-	-	58	57	56	-	54	53					
											-	51	50	49	-	-	-	45	44	43	42	-	-	39	-	-	-	-	-	34	33	-	-	-	-
															32	31	-	29	28	27	26	25	24	23	-	-	-	-	-	-	-	-	-	-	-
MX123 CONN ASSY 73 CKT GRY OPT9 KEY B/14	345660144	C-HSG-B9	G-CAP-9-P	TPA-B9	RS	LS	MAL	CPA	MSEAL	RSEAL	72	71	70	69	68	67	-	65	64	63	62	61	60	59	-	57	56	55	54	53					
											52	51	50	49	48	47	46	45	44	43	42	-	40	39	-	-	36	35	34	33	-	-	-	-	
															32	31	30	29	28	27	26	25	24	23	22	21	-	-	-	-	-	-	-	-	-
MX123 CONN ASSY 73 CKT GRY OPT9 KEY B/62	345660154	C-HSG-B9	G-CAP-9-P	TPA-B9	RS	LS	MAL	CPA	MSEAL	RSEAL	-	-	-	-	-	-	-	-	-	-	-	-	-	-	58	-	-	-	-						
											-	-	-	-	-	-	-	-	-	-	-	-	41	-	-	38	37	-	-	-	-	-	-	-	-
															-	-	-	-	-	-	-	-	-	-	-	-	20	19	18	17	-	-	-	-	-
MX123 CONN ASSY 73 CKT GRY OPT9 KEY B/34	345660174	C-HSG-B9	G-CAP-9-P	TPA-B9	RS	LS	MAL	CPA	MSEAL	RSEAL	-	-	-	69	68	-	-	65	64	63	62	61	-	59	58	-	56	55	54	-					
											-	-	-	49	48	-	-	45	44	43	42	41	40	-	38	-	36	-	34	-	-	-	-	-	-
															32	31	-	-	-	27	26	-	-	-	-	21	-	-	18	-	-	-	-	-	-
MX123 CONN ASSY 73 CKT GRY OPT9 KEY B/52	345660184	C-HSG-B9	G-CAP-9-P	TPA-B9	RS	LS	MAL	CPA	MSEAL	RSEAL	-	-	-	-	-	-	-	-	-	-	62	-	60	59	-	-	-	-	-						
											-	-	-	-	-	-	-	-	-	-	-	-	-	39	38	-	-	35	34	33	-	-	-	-	
															-	31	-	-	-	27	-	-	-	23	22	-	20	19	18	17	-	-	-	-	-
MX123 CONN ASSY 73 CKT BLU OPT0 KEY C/40	345660194	C-HSG-C0	G-CAP-0-P	TPA-C0	RS	LS	MAL	CPA	MSEAL	RSEAL	-	-	-	-	68	-	-	-	-	63	62	61	60	59	58	57	-	55	54	53					
											-	-	-	-	48	-	-	-	-	43	42	41	40	-	38	37	36	35	34	33	-	-	-	-	
															32	-	-	29	-	27	-	-	-	-	-	-	-	19	18	17	-	-	-	-	-

ASSEMBLY DESCRIPTION	ASSEMBLY PART NUMBER	CONNECTOR HOUSING	GROMMET CAP	TPA	RIGHT SLIDE	LEFT SLIDE	MATE ASSIST LEVER	CPA	MAT SEAL	RING SEAL	BLOCKED TERMINALS																		STATUS	COMMENTS	INTEGRAL COMPONENTS SOLD SEPARATELY																
											CAVITY WITH A NUMBER INDICATES BLOCKED TERMINAL POSITION																				DRESS COVER																
											CAVITY WITHOUT A NUMBER INDICATES OPEN TERMINAL POSITION																																				
MX123 CONN ASSY 73 CKT GRY OPT0 KEY B/46	345660514	C-HSG-B0	G-CAP-0-P	TPA-B0	RS	LS	MAL	CPA	MSEAL	RSEAL	-	-	-	-	-	-	-	-	-	-	-	-	-	62	-	60	59	-	-	-	-	-	54	53	SALEABLE		345650003										
											-	-	-	-	-	-	-	-	-	-	-	-	42	41	-	39	38	-	-	35	34	33															
											-	-	-	-	-	-	-	-	-	-	-	-	-	-	-	-	-	-	-	-	-	-	-	-				-	-	-	-	-	-	-	-	-	-
											-	-	-	-	-	-	-	-	-	-	-	-	-	-	-	-	-	-	-	-	-	-	-	-				-	-	-	-	-	-	-	-	-	
MX123 CONN ASSY 73 CKT BLK OPT0 KEY A/30	345660524	C-HSG-A0	G-CAP-0-P	TPA-A0	RS	LS	MAL	CPA	MSEAL	RSEAL	-	-	-	69	68	-	-	65	64	63	62	61	60	59	58	57	56	55	54	-	SALEABLE		345650003														
											-	-	-	49	48	-	-	45	44	43	42	41	40	-	38	-	36	-	34	-																	
											-	-	-	-	32	31	-	-	-	-	-	25	24	23	22	21	20	19	18	-																	
											-	-	-	-	16	15	14	-	-	-	-	9	-	-	6	5	4	-	2	-																	
MX123 CONN ASSY 73 CKT BLK OPT9 KEY A/46	345660534	C-HSG-A9	G-CAP-9-P	TPA-A9	RS	LS	MAL	CPA	MSEAL	RSEAL	-	-	-	-	-	-	65	-	63	-	61	-	59	58	57	-	-	-	-	53	SALEABLE		345650003														
											-	-	-	-	48	-	-	-	-	43	42	41	-	-	38	37	-	-	34	-																	
											-	-	-	-	32	31	30	29	28	-	-	-	-	23	22	-	-	19	-	17																	
											-	-	-	-	15	-	-	-	11	-	-	-	7	-	-	-	-	2	-																		
MX123 CONN ASSY 73 CKT GRY OPT9 KEY B/59	345660544	C-HSG-B9	G-CAP-9-P	TPA-B9	RS	LS	MAL	CPA	MSEAL	RSEAL	-	-	-	-	-	-	66	-	-	-	62	-	-	-	58	-	-	-	-	-	SALEABLE		345650003														
											-	-	-	-	-	-	-	-	-	-	-	-	-	-	-	-	-	-	-	-				-													
											-	-	-	-	-	-	-	-	-	-	-	-	-	-	-	-	-	-	-	-				-	-	-	-	-	-	-	-	-	-	-	-		
											-	-	-	-	-	-	-	-	-	-	-	-	-	-	-	-	-	-	-	-				-	-	-	-	-	-	-	-	-	-	-	-		
MX123 CONN ASSY 73 CKT NAT OPT0 KEY F/73	345660603	C-HSG-F0	G-CAP-0-P	TPA-F0	RS	LS	MAL	CPA	MSEAL	RSEAL	-	-	-	-	-	-	-	-	-	-	-	-	-	-	-	-	-	-	-	-	SALEABLE		345650003														
											-	-	-	-	-	-	-	-	-	-	-	-	-	-	-	-	-	-	-	-				-	-	-	-	-	-	-	-	-	-	-			
											-	-	-	-	-	-	-	-	-	-	-	-	-	-	-	-	-	-	-	-				-	-	-	-	-	-	-	-	-	-	-	-	-	
											-	-	-	-	-	-	-	-	-	-	-	-	-	-	-	-	-	-	-	-				-	-	-	-	-	-	-	-	-	-	-	-	-	
MX123 CONN ASSY 73 CKT BLK OPT9 KEY A/38	345660604	C-HSG-A9	G-CAP-9-P	TPA-A9	RS	LS	MAL	CPA	MSEAL	RSEAL	-	-	-	69	68	-	-	-	-	-	-	-	60	-	58	57	56	-	54	-	SALEABLE		345650003														
											-	-	-	49	48	-	-	-	-	-	-	40	-	-	-	-	35	34	-																		
											-	-	-	-	32	31	-	-	28	27	26	25	24	23	22	21	20	19	18	-																	
											-	-	-	-	16	15	14	-	12	11	10	9	-	-	-	5	4	-	2	-																	
MX123 CONN ASSY 73 CKT GRY OPT0 KEY B/43	345660624	C-HSG-B0	G-CAP-0-P	TPA-B0	RS	LS	MAL	CPA	MSEAL	RSEAL	-	-	-	-	68	67	66	65	64	-	62	-	60	59	-	-	-	-	54	53	SALEABLE		345650003														
											-	-	-	-	48	47	46	-	44	-	42	-	40	39	-	-	-	35	34	-																	
											-	-	-	-	-	31	-	-	-	27	-	-	-	-	-	-	-	19	18	17																	
											-	-	-	-	-	15	14	-	-	11	-	-	-	-	-	-	-	3	2	1																	
MX123 CONN ASSY 73 CKT BLK OPT9 KEY A/42	345660634	C-HSG-A9	G-CAP-9-P	TPA-A9	RS	LS	MAL	CPA	MSEAL	RSEAL	72	71	-	-	68	-	66	65	-	63	62	-	-	-	58	-	-	-	-	-	SALEABLE		345650003														
											-	-	50	49	-	47	46	-	-	43	42	-	40	-	-	-	-	-	-	-																	
											-	-	-	-	32	31	-	29	-	-	-	-	24	23	-	21	20	-	18	17																	
											-	-	-	-	16	-	-	-	-	-	-	9	-	7	6	-	4	3	-	1																	
MX123 CONN ASSY 73 CKT BLK OPT9 KEY A/43	345660654	C-HSG-A9	G-CAP-9-P	TPA-A9	RS	LS	MAL	CPA	MSEAL	RSEAL	72	71	-	-	68	-	66	65	-	63	62	-	-	-	58	-	-	-	-	-	SALEABLE		345650003														
											-	-	50	49	-	47	46	-	-	43	42	-	40	-	-	-	-	-	33																		
											-	-	-	-	32	31	-	29	-	-	-	-	24	23	-	20	-	18	17																		
											-	-	-	-	16	-	-	-	-	-	-	9	-	-	6	-	4	3	-	1																	
MX123 CONN ASSY 73 CKT GRY OPT9 KEY B/50	345660674	C-HSG-B9	G-CAP-9-P	TPA-B9	RS	LS	MAL	CPA	MSEAL	RSEAL	-	-	-	-	-	-	66	65	-	-	62	-	60	59	-	-	-	-	54	53	SALEABLE		345650003														
											-	-	-	-	-	-	-	-	-	-	-	-	-	-	-	-	-	-	-	35				34	33												
											-	-	-	-	-	-	-	-	-	-	-	-	-	-	-	-	-	-	-	-				-	-	-	-	-	-	-	-	-	-	-	-		
											-	-	-	-	-	-	-	-	-	-	-	-	-	-	-	-	-	-	-	-				-	-	-	-	-	-	-	-	-	-	-	-	-	
MX123 CONN ASSY 73 CKT BLK OPT0 KEY A/24	345660724	C-HSG-A0	G-CAP-0-P	TPA-A0	RS	LS	MAL	CPA	MSEAL	RSEAL	72	71	70	69	-	67	-	-	64	-	-	61	60	59	-	57	56	55	54	53	SALEABLE		345650003														
											52	51	-	-	48	-	-	45	44	-	-	41	40	39	38	37	36	35	34	-																	
											-	-	-	-	-	31	30	29	-	27	26	25	-	-	22	-	-	19	18	-																	
											-	-	-	-	-	16	15	14	13	12	11	10	9	8	7	6	5	-	-	2				-													
MX123 CONN ASSY 73 CKT BLK OPT0 KEY A/31	345661013	C-HSG-A0	G-CAP-0-P	TPA-A0	RS	LS	MAL	CPA	MSEAL	RSEAL	72	-	70	-	-	67	66	-	-	-	62	-	60	-	-	-	-	55	54	53	SALEABLE		345650003														
											-	51	-	-	48	-	46	45	44	43	42	-	40	39	-	-	-	35	-	-																	
											-	-	-	-	-	-	-	-	-	-	26	25	-	-	22	21	-	-	-	-				-	-	-	-	-	-	-	-	-	-	-	-		
											-	-	-	-	-	-	-	-	-	-	-	-	-	-	-	-	-	-	-	-				-	-	-	-	-	-	-	-	-	-	-	-	-	

ASSEMBLY DESCRIPTION	ASSEMBLY PART NUMBER	CONNECTOR HOUSING	GROMMET CAP	TPA	RIGHT SLIDE	LEFT SLIDE	MATE ASSIST LEVER	CPA	MAT SEAL	RING SEAL	BLOCKED TERMINALS																			STATUS	COMMENTS	INTEGRAL COMPONENTS SOLD SEPARATELY		
											CAVITY WITH A NUMBER INDICATES BLOCKED TERMINAL POSITION																					DRESS COVER		
											CAVITY WITHOUT A NUMBER INDICATES OPEN TERMINAL POSITION																							
MX123 CONN ASSY 73 CKT BLK OPT0 KEY A/34	345661023	C-HSG-A0	G-CAP-0-P	TPA-A0	RS	LS	MAL	CPA	MSEAL	RSEAL	72	71	-	69	68	-	-	-	64	63	62	61	60	59	-	-	56	-	-	53	SALEABLE		345650003	
											52	51	-	-	48	-	46	45	-	-	-	-	40	-	38	-	36	-	34	33				
											-																			-				-
MX123 CONN ASSY 73 CKT BLK OPT0 KEY A/32	345661033	C-HSG-A0	G-CAP-0-P	TPA-A0	RS	LS	MAL	CPA	MSEAL	RSEAL	-	71	-	69	68	-	-	-	64	63	62	61	60	59	-	-	56	-	-	53	SALEABLE		345650003	
											52	51	-	-	48	-	46	45	-	-	-	-	40	-	38	-	36	-	34	33				
											-																			-				-
MX123 CONN ASSY 73 CKT GRY OPT0 KEY B/30	345661043	C-HSG-B0	G-CAP-0-P	TPA-B0	RS	LS	MAL	CPA	MSEAL	RSEAL	72	-	-	69	-	67	-	-	64	63	62	61	60	-	-	-	56	55	-	-	SALEABLE		345650003	
											52	-	-	-	-	47	-	-	44	-	42	-	-	-	-	-	-	-	34	-				
											-																			-				-
MX123 CONN ASSY 73 CKT GRY OPT0 KEY B/50	345661063	C-HSG-B0	G-CAP-0-P	TPA-B0	RS	LS	MAL	CPA	MSEAL	RSEAL	72	71	70	69	68	67	66	-	64	63	62	61	-	-	58	-	-	-	54	-	SALEABLE		345650003	
											52	51	50	-	-	-	46	45	-	43	42	41	-	-	38	-	-	-	34	-				
											-																			32				31
MX123 CONN ASSY 73 CKT BLK OPT0 KEY A/28	345661073	C-HSG-A0	G-CAP-0-P	TPA-A0	RS	LS	MAL	CPA	MSEAL	RSEAL	-	-	-	-	-	-	-	-	-	62	-	60	-	-	-	-	55	-	53	SALEABLE		345650003		
											52	51	-	-	-	-	46	45	44	43	-	-	40	39	-	-	-	35	-				-	
											-																						-	-
MX123 CONN ASSY 73 CKT GRY OPT0 KEY B/28	345661083	C-HSG-B0	G-CAP-0-P	TPA-B0	RS	LS	MAL	CPA	MSEAL	RSEAL	72	71	70	69	-	-	-	-	63	62	61	60	-	-	-	56	-	-	-	SALEABLE		345650003		
											52	-	-	-	-	47	-	-	44	-	-	-	-	-	-	-	36	-	34				-	
											-																						-	-
MX123 CONN ASSY 73 CKT BLK OPT0 KEY A/40	345661093	C-HSG-A0	G-CAP-0-P	TPA-A0	RS	LS	MAL	CPA	MSEAL	RSEAL	72	71	-	69	-	-	-	65	64	63	62	61	60	59	-	57	-	-	-	53	SALEABLE		345650003	
											52	51	50	-	48	-	46	45	-	-	-	-	40	-	38	-	-	35	-	33				
											-																			32				-
MX123 CONN ASSY 73 CKT BLK OPT0 KEY A/39	345661133	C-HSG-A0	G-CAP-0-P	TPA-A0	RS	LS	MAL	CPA	MSEAL	RSEAL	72	71	-	69	-	-	-	65	64	63	62	-	60	59	-	-	56	-	-	53	SALEABLE		345650003	
											52	51	50	-	48	-	46	-	-	-	-	-	40	-	38	-	36	35	-	33				
											-																			-				31
MX123 CONN ASSY 73 CKT BLK OPT0 KEY A/31	345661143	C-HSG-A0	G-CAP-0-P	TPA-A0	RS	LS	MAL	CPA	MSEAL	RSEAL	72	71	70	69	-	67	66	-	64	-	62	-	60	-	-	57	-	55	54	-	SALEABLE		345650003	
											-	51	-	49	48	-	46	45	44	43	42	-	40	39	-	-	-	-	-	-				
											-																			-				-
MX123 CONN ASSY 73 CKT BLK OPT0 KEY A/42	345661153	C-HSG-A0	G-CAP-0-P	TPA-A0	RS	LS	MAL	CPA	MSEAL	RSEAL	72	71	-	69	68	-	-	-	64	63	62	61	60	59	-	-	56	-	54	53	SALEABLE		345650003	
											52	51	50	-	48	-	46	45	-	-	-	-	40	-	38	-	36	35	34	33				
											-																			-				31
MX123 CONN ASSY 73 CKT BLK OPT0 KEY A/27	345661173	C-HSG-A0	G-CAP-0-P	TPA-A0	RS	LS	MAL	CPA	MSEAL	RSEAL	-	-	70	-	-	67	66	-	-	-	-	-	-	-	-	57	-	55	-	53	SALEABLE		345650003	
											-	51	-	-	-	-	46	-	44	43	-	-	40	39	-	-	-	35	-	-				
											-																			-				-
MX123 CONN ASSY 73 CKT GRY OPT0 KEY B/48	345661183	C-HSG-B0	G-CAP-0-P	TPA-B0	RS	LS	MAL	CPA	MSEAL	RSEAL	72	71	70	69	68	67	-	-	-	63	-	61	60	-	58	-	56	-	54	-	SALEABLE		345650003	
											52	51	50	-	-	-	46	45	-	43	-	41	40	-	38	-	36	-	34	-				
											-																			32				31

ASSEMBLY DESCRIPTION	ASSEMBLY PART NUMBER	CONNECTOR HOUSING	GROMMET CAP	TPA	RIGHT SLIDE	LEFT SLIDE	MATE ASSIST LEVER	CPA	MAT SEAL	RING SEAL	BLOCKED TERMINALS																		STATUS	COMMENTS	INTEGRAL COMPONENTS SOLD SEPARATELY
											CAVITY WITH A NUMBER INDICATES BLOCKED TERMINAL POSITION CAVITY WITHOUT A NUMBER INDICATES OPEN TERMINAL POSITION																				DRESS COVER
MX123 CONN ASSY 73 CKT BLK OPT0 KEY A/32	345661193	C-HSG-A0	G-CAP-0-P	TPA-A0	RS	LS	MAL	CPA	MSEAL	RSEAL	-	-	70	-	-	-	-	65	-	-	-	61	-	-	58	57	56	55	-	-	
											-	51	50	-	-	47	-	45	-	-	-	41	40	-	38	37	36	35	-	-	
																						-	31	30	-	28	-	26	25	24	-
											16	15	-	-	-	-	10	-	-	-	-	-	-	-	-	-	-	-			
MX123 CONN ASSY 73 CKT BLK OPT0 KEY A/36	345661213	C-HSG-A0	G-CAP-0-P	TPA-A0	RS	LS	MAL	CPA	MSEAL	RSEAL	-	-	70	-	-	-	-	65	-	-	-	61	60	-	58	57	56	55	-	-	
											-	51	50	49	-	47	-	45	-	-	-	41	40	-	38	37	36	35	34	-	
																						-	31	30	-	28	-	26	25	-	-
											16	15	-	-	-	-	10	-	-	7	6	-	-	-	-	-	-				
MX123 CONN ASSY 73 CKT GRY OPT0 KEY B/48	345661223	C-HSG-B0	G-CAP-0-P	TPA-B0	RS	LS	MAL	CPA	MSEAL	RSEAL	72	71	70	69	68	-	-	-	64	-	-	61	60	-	58	-	56	-	54	-	
											52	51	50	49	-	47	46	45	44	-	-	41	40	-	38	-	36	-	34	-	
																						32	31	30	-	28	-	-	25	24	-
											16	15	14	13	-	11	10	-	8	-	6	5	4	3	2	1					
MX123 CONN ASSY 73 CKT GRY OPT0 KEY B/52	345661233	C-HSG-B0	G-CAP-0-P	TPA-B0	RS	LS	MAL	CPA	MSEAL	RSEAL	72	71	70	69	68	67	66	-	64	63	-	61	60	-	58	-	56	-	54	-	
											52	51	50	49	-	47	-	45	44	43	-	41	40	-	38	-	36	-	34	-	
																						32	31	30	-	28	27	-	25	24	-
											16	15	14	13	-	11	10	-	8	-	6	5	4	3	2	1					
MX123 CONN ASSY 73 CKT GRY OPT0 KEY B/51	345661243	C-HSG-B0	G-CAP-0-P	TPA-B0	RS	LS	MAL	CPA	MSEAL	RSEAL	72	71	70	69	68	67	66	65	64	63	62	61	60	-	58	-	56	-	54	-	
											52	51	-	49	-	47	-	45	44	43	42	41	40	-	38	-	36	-	34	-	
																						32	31	30	-	28	27	26	25	24	-
											16	-	14	13	-	11	10	9	8	-	-	-	-	-	2	1					
MX123 CONN ASSY 73 CKT GRY OPT9 KEY B/55	345661253	C-HSG-B9	G-CAP-9-P	TPA-B9	RS	LS	MAL	CPA	MSEAL	RSEAL	72	71	70	69	68	67	66	-	64	63	62	61	-	-	58	-	56	-	54	-	
											52	51	50	-	-	47	-	45	44	43	42	41	-	-	38	-	36	-	34	-	
																						32	31	30	29	28	27	26	25	-	-
											16	15	14	13	12	11	10	9	8	7	6	5	4	3	-	1					
MX123 CONN ASSY 73 CKT BLK OPT9 KEY A/32	345661263	C-HSG-A9	G-CAP-9-P	TPA-A9	RS	LS	MAL	CPA	MSEAL	RSEAL	-	-	70	-	-	-	-	65	-	-	-	61	60	-	58	57	-	55	54	-	
											52	51	-	49	-	47	-	45	-	-	-	41	40	-	38	37	-	-	34	-	
																						-	31	-	-	28	-	26	25	-	-
											16	15	-	-	-	-	10	-	-	7	6	-	-	-	-	-					
MX123 CONN ASSY 73 CKT BLK OPT0 KEY A/33	345661273	C-HSG-A0	G-CAP-0-P	TPA-A0	RS	LS	MAL	CPA	MSEAL	RSEAL	72	71	-	-	-	67	66	-	-	-	62	-	60	-	-	-	55	54	53		
											-	51	-	-	-	-	46	45	44	43	42	-	40	39	-	-	-	35	-	-	
																						-	-	-	-	-	-	26	25	-	-
											-	15	14	-	-	-	-	-	8	7	6	5	4	3	2	-					
MX123 CONN ASSY 73 CKT BLK OPT0 KEY A/28	345661283	C-HSG-A0	G-CAP-0-P	TPA-A0	RS	LS	MAL	CPA	MSEAL	RSEAL	-	-	-	-	-	67	-	-	-	-	62	-	60	-	-	-	55	-	53		
											-	51	-	-	-	-	46	45	44	43	-	-	40	39	-	-	-	35	-	-	
																						-	-	-	-	-	-	25	-	-	22
											-	15	14	-	-	-	-	-	8	7	6	5	4	3	2	1					
MX123 CONN ASSY 73 CKT BLK OPT0 KEY A/38	345661293	C-HSG-A0	G-CAP-0-P	TPA-A0	RS	LS	MAL	CPA	MSEAL	RSEAL	72	71	70	69	-	67	66	-	64	-	62	-	60	-	-	57	-	55	54	53	
											-	51	-	49	48	-	46	45	44	43	42	-	40	39	-	-	-	35	-	-	
																						-	-	-	-	-	-	26	25	-	-
											-	15	14	-	-	-	-	-	8	7	6	5	4	3	2	-					
MX123 CONN ASSY 73 CKT BLK OPT9 KEY A/73	345661303	C-HSG-A9	G-CAP-9-P	TPA-A9	RS	LS	MAL	CPA	MSEAL	RSEAL	-	-	-	-	-	-	-	-	-	-	-	-	-	-	-	-	-	-	-		
											-	-	-	-	-	-	-	-	-	-	-	-	-	-	-	-	-	-	-	-	
																						-	-	-	-	-	-	-	-	-	-
											-	-	-	-	-	-	-	-	-	-	-	-	-	-	-	-	-				
MX123 CONN ASSY 73 CKT BLK OPT0 KEY A/4	345661323	C-HSG-A0	G-CAP-0-P	TPA-A0	RS	LS	MAL	CPA	MSEAL	RSEAL	-	-	-	-	-	-	-	-	-	-	-	61	-	-	-	-	-	-	-		
											-	-	-	-	-	-	-	-	-	-	-	-	-	-	-	-	-	-	-	-	
																						-	-	-	-	-	-	26	-	-	-
											-	-	-	-	-	-	10	-	-	-	-	-	-	-	-	-	-				

ASSEMBLY DESCRIPTION	ASSEMBLY PART NUMBER	CONNECTOR HOUSING	GROMMET CAP	TPA	RIGHT SLIDE	LEFT SLIDE	MATE ASSIST LEVER	CPA	MAT SEAL	RING SEAL	BLOCKED TERMINALS																				STATUS	COMMENTS	INTEGRAL COMPONENTS SOLD SEPARATELY	
											CAVITY WITH A NUMBER INDICATES BLOCKED TERMINAL POSITION																						DRESS COVER	
											CAVITY WITHOUT A NUMBER INDICATES OPEN TERMINAL POSITION																							
MX123 CONN ASSY 73 CKT BLK OPT0 KEY A/36	345661333	C-HSG-A0	G-CAP-0-P	TPA-A0	RS	LS	MAL	CPA	MSEAL	RSEAL	72	71	-	-	-	67	66	-	-	63	62	61	60	-	-	57	-	55	54	53	SALEABLE		345650003	
											-	51	-	-	48	-	46	45	44	43	42	-	40	39	-	-	-	35	-	33				
																					-	-	-	-	-	26	25	24	-	22				21
MX123 CONN ASSY 73 CKT BLK OPT0 KEY A/31	345661343	C-HSG-A0	G-CAP-0-P	TPA-A0	RS	LS	MAL	CPA	MSEAL	RSEAL	-	-	70	-	68	-	66	-	-	-	62	61	60	-	-	-	-	55	54	53	SALEABLE		345650003	
											52	51	-	-	-	-	46	45	44	43	42	-	40	39	-	-	-	35	-	33				
																					-	-	-	-	-	26	25	24	-	22				21
MX123 CONN ASSY 73 CKT BLK OPT0 KEY A/38	345661363	C-HSG-A0	G-CAP-0-P	TPA-A0	RS	LS	MAL	CPA	MSEAL	RSEAL	-	-	70	-	-	-	65	-	-	-	61	60	-	58	57	56	55	54	-	SALEABLE		345650003		
											52	51	50	49	-	47	-	45	-	-	-	41	40	-	38	37	36	35	34				-	
																					-	31	30	-	28	-	26	25	-				-	22
MX123 CONN ASSY 73 CKT GRY OPT0 KEY B/51	345661373	C-HSG-B0	G-CAP-0-P	TPA-B0	RS	LS	MAL	CPA	MSEAL	RSEAL	72	71	70	69	68	67	-	-	64	63	-	61	60	-	58	-	56	-	54	-	SALEABLE		345650003	
											52	51	50	49	-	47	-	45	44	43	-	41	40	-	38	-	36	-	34	-				
																					32	31	30	-	28	27	-	25	24	-				22
MX123 CONN ASSY 73 CKT GRY OPT0 KEY B/51	345661383	C-HSG-B0	G-CAP-0-P	TPA-B0	RS	LS	MAL	CPA	MSEAL	RSEAL	72	71	70	69	68	67	66	-	64	63	62	61	60	-	-	-	56	-	54	-	SALEABLE		345650003	
											52	51	50	-	-	-	-	45	44	43	42	41	40	-	-	-	36	-	34	-				
																					32	31	30	-	28	27	26	25	24	-				-
MX123 CONN ASSY 73 CKT GRY OPT0 KEY B/51	345661383	C-HSG-B0	G-CAP-0-P	TPA-B0	RS	LS	MAL	CPA	MSEAL	RSEAL	72	71	70	69	68	67	66	-	64	63	62	61	60	-	-	-	56	-	54	-	SALEABLE		345650003	
											52	51	50	-	-	-	-	45	44	43	42	41	40	-	-	-	36	-	34	-				
																					32	31	30	-	28	27	26	25	24	-				-
MX123 CONN ASSY 73 CKT BLK OPT0 KEY A/41	345661393	C-HSG-A0	G-CAP-0-P	TPA-A0	RS	LS	MAL	CPA	MSEAL	RSEAL	72	71	-	69	68	-	-	65	64	63	62	-	60	59	-	-	56	-	-	53	SALEABLE		345650003	
											52	51	50	49	48	-	46	-	-	-	-	-	40	-	38	-	36	35	-	33				
																					-	31	-	29	28	-	26	-	-	23				22
MX123 CONN ASSY 73 CKT GRY OPT9 KEY B/73	345661403	C-HSG-B9	G-CAP-9-P	TPA-B9	RS	LS	MAL	CPA	MSEAL	RSEAL	-	-	-	-	-	-	-	-	-	-	-	-	-	-	-	-	-	-	-	SALEABLE		345650003		
											-	-	-	-	-	-	-	-	-	-	-	-	-	-	-	-	-	-	-				-	-
																					-	-	-	-	-	-	-	-	-				-	-
MX123 CONN ASSY 73 CKT GRY OPT0 KEY B/25	345661423	C-HSG-B0	G-CAP-0-P	TPA-B0	RS	LS	MAL	CPA	MSEAL	RSEAL	72	71	70	69	-	-	-	-	64	63	62	-	-	-	-	56	55	-	-	SALEABLE		345650003		
											52	-	-	-	-	-	-	-	44	-	-	-	-	-	-	36	-	-	-					
																					-	-	-	29	28	27	-	25	-				-	-
MX123 CONN ASSY 73 CKT GRY OPT0 KEY B/52	345661433	C-HSG-B0	G-CAP-0-P	TPA-B0	RS	LS	MAL	CPA	MSEAL	RSEAL	72	71	70	69	68	67	-	65	-	63	62	61	60	-	58	-	56	-	54	-	SALEABLE		345650003	
											52	51	50	-	-	47	-	45	44	43	42	41	40	-	38	-	36	-	34	-				
																					-	31	30	-	28	27	26	25	24	-				22
MX123 CONN ASSY 73 CKT GRY OPT0 KEY B/51	345661443	C-HSG-B0	G-CAP-0-P	TPA-B0	RS	LS	MAL	CPA	MSEAL	RSEAL	72	71	70	-	-	67	-	65	64	63	62	61	60	-	58	-	56	-	54	-	SALEABLE		345650003	
											52	51	50	-	-	47	-	45	44	43	42	41	40	-	38	-	36	-	34	-				
																					32	31	30	-	28	27	26	25	24	-				22
MX123 CONN ASSY 73 CKT GRY OPT0 KEY B/47	345661453	C-HSG-B0	G-CAP-0-P	TPA-B0	RS	LS	MAL	CPA	MSEAL	RSEAL	72	71	70	69	68	67	-	-	-	63	-	61	60	-	58	-	56	-	54	-	SALEABLE		345650003	
											52	51	50	-	-	-	46	45	-	43	-	41	40	-	38	-	36	-	34	-				
																					32	31	30	-	-	27	-	25	24	-				22
MX123 CONN ASSY 73 CKT BLK OPT0 KEY A/31	345661463	C-HSG-A0	G-CAP-0-P	TPA-A0	RS	LS	MAL	CPA	MSEAL	RSEAL	72	71	70	-	-	67	66	-	-	-	-	-	-	-	57	-	55	54	53	SALEABLE		345650003		
											-	51	-	-	-	-	46	-	44	43	42	-	40	39	-	-	-	35	-				-	
																					-	-	-	-	-	26	25	-	-				22	21

ASSEMBLY DESCRIPTION	ASSEMBLY PART NUMBER	CONNECTOR HOUSING	GROMMET CAP	TPA	RIGHT SLIDE	LEFT SLIDE	MATE ASSIST LEVER	CPA	MAT SEAL	RING SEAL	BLOCKED TERMINALS																		STATUS	COMMENTS	INTEGRAL COMPONENTS SOLD SEPARATELY			
											CAVITY WITH A NUMBER INDICATES BLOCKED TERMINAL POSITION																				DRESS COVER			
											CAVITY WITHOUT A NUMBER INDICATES OPEN TERMINAL POSITION																							
MX123 CONN ASSY 73 CKT BLK OPT0 KEY A/32	345661473	C-HSG-A0	G-CAP-0-P	TPA-A0	RS	LS	MAL	CPA	MSEAL	RSEAL	-	-	70	-	-	-	-	65	-	-	-	61	60	-	58	57	56	55	-	-	SALEABLE		345650003	
											-	51	50	-	-	47	-	45	-	-	-	41	40	-	38	37	36	35	-	-				
											-																		16	15				-
MX123 CONN ASSY 73 CKT BLK OPT0 KEY A/33	345661483	C-HSG-A0	G-CAP-0-P	TPA-A0	RS	LS	MAL	CPA	MSEAL	RSEAL	-	-	70	-	-	67	66	-	-	-	62	-	60	-	-	57	-	55	54	53	SALEABLE		345650003	
											-	51	-	-	48	-	46	45	44	43	42	-	40	39	-	-	-	35	-	-				
											-																		-	15				14
MX123 CONN ASSY 73 CKT GRY OPT0 KEY B/49	345661493	C-HSG-B0	G-CAP-0-P	TPA-B0	RS	LS	MAL	CPA	MSEAL	RSEAL	72	71	70	69	-	67	66	65	64	63	62	61	60	-	-	-	56	-	54	-	SALEABLE		345650003	
											52	51	50	-	-	47	-	45	44	43	42	41	40	-	-	-	36	-	34	-				
											-																		32	31				30
MX123 CONN ASSY 73 CKT BLU OPT9 KEY C/73	345661503	C-HSG-C9	G-CAP-9-P	TPA-C9	RS	LS	MAL	CPA	MSEAL	RSEAL	-	-	-	-	-	-	-	-	-	-	-	-	-	-	-	-	-	-	-	SALEABLE		345650003		
											-																							
											-																							
MX123 CONN ASSY 73 CKT GRY OPT0 KEY B/55	345661513	C-HSG-B0	G-CAP-0-P	TPA-B0	RS	LS	MAL	CPA	MSEAL	RSEAL	72	71	70	69	68	67	66	-	64	63	62	61	60	-	58	-	56	-	54	-	SALEABLE		345650003	
											52	51	50	-	-	47	-	45	44	43	42	41	40	-	38	-	36	-	34	-				
											-																		32	31				30
MX123 CONN ASSY 73 CKT BLK OPT0 KEY A/34	345661523	C-HSG-A0	G-CAP-0-P	TPA-A0	RS	LS	MAL	CPA	MSEAL	RSEAL	72	71	-	-	-	67	66	-	-	63	62	61	60	-	-	57	-	55	-	53	SALEABLE		345650003	
											-	51	-	-	48	-	46	45	44	43	-	-	40	39	-	-	-	35	-	33				
											-																		-	15				14
MX123 CONN ASSY 73 CKT BLK OPT0 KEY A/28	345661533	C-HSG-A0	G-CAP-0-P	TPA-A0	RS	LS	MAL	CPA	MSEAL	RSEAL	-	-	-	-	-	67	66	-	-	-	62	-	60	-	-	-	55	54	53	SALEABLE		345650003		
											-	-	-	-	48	-	46	45	44	43	42	-	40	39	-	-	-	35	-				-	
											-																		-				15	14
MX123 CONN ASSY 73 CKT GRY OPT0 KEY B/53	345661543	C-HSG-B0	G-CAP-0-P	TPA-B0	RS	LS	MAL	CPA	MSEAL	RSEAL	72	71	70	-	-	67	-	65	64	63	62	61	60	-	58	-	56	-	54	-	SALEABLE		345650003	
											52	51	50	-	-	47	-	45	44	43	42	41	40	-	38	-	36	-	34	-				
											-																		32	31				30
MX123 CONN ASSY 73 CKT BLK OPT0 KEY A/73	345661553	C-HSG-A0	G-CAP-0-P	TPA-A0	RS	LS	MAL	CPA	MSEAL	RSEAL	72	71	70	69	68	67	66	65	64	63	62	61	60	59	58	57	56	55	54	53	SALEABLE		345650003	
											52	51	50	49	48	47	46	45	44	43	42	41	40	39	38	37	36	35	34	33				
											-																		32	31				30
MX123 CONN ASSY 73 CKT BLK OPT9 KEY A/73	345661563	C-HSG-A9	G-CAP-9-P	TPA-A9	RS	LS	MAL	CPA	MSEAL	RSEAL	72	71	70	69	68	67	66	65	64	63	62	61	60	59	58	57	56	55	54	53	SALEABLE		345650003	
											52	51	50	49	48	47	46	45	44	43	42	41	40	39	38	37	36	35	34	33				
											-																		32	31				30
MX123 CONN ASSY 73 CKT BLK OPT0 KEY A/35	345661583	C-HSG-A0	G-CAP-0-P	TPA-A0	RS	LS	MAL	CPA	MSEAL	RSEAL	72	71	-	69	68	-	-	-	64	63	62	-	60	59	-	-	56	-	-	53	SALEABLE		345650003	
											52	51	50	-	48	-	46	-	-	-	-	40	-	38	-	36	35	-	33					
											-																		-	31				-
MX123 CONN ASSY 73 CKT GRY OPT0 KEY B/30	345661593	C-HSG-B0	G-CAP-0-P	TPA-B0	RS	LS	MAL	CPA	MSEAL	RSEAL	72	71	70	69	68	-	66	-	64	63	62	-	-	-	-	56	55	-	-	SALEABLE		345650003		
											52	-	-	-	-	-	-	-	44	-	-	41	-	-	38	-	36	35	-				-	
											-																		-				-	-

ASSEMBLY DESCRIPTION	ASSEMBLY PART NUMBER	CONNECTOR HOUSING	GROMMET CAP	TPA	RIGHT SLIDE	LEFT SLIDE	MATE ASSIST LEVER	CPA	MAT SEAL	RING SEAL	BLOCKED TERMINALS																		STATUS	COMMENTS	INTEGRAL COMPONENTS SOLD SEPARATELY
											CAVITY WITH A NUMBER INDICATES BLOCKED TERMINAL POSITION CAVITY WITHOUT A NUMBER INDICATES OPEN TERMINAL POSITION																				DRESS COVER
MX123 CONN ASSY 73 CKT GRY OPT0 KEY B/51	345661623	C-HSG-B0	G-CAP-0-P	TPA-B0	RS	LS	MAL	CPA	MSEAL	RSEAL	72	71	70	69	68	67	-	-	64	63	-	61	60	-	58	-	56	-	54	-	
											52	51	50	49	-	-	46	45	44	43	-	41	40	-	38	-	36	-	34	-	
															32	31	30	-	28	27	-	25	24	-	22	-	20	19	18	-	
				16	15	14	13	-	11	10	-	8	-	6	5	4	3	2	1												
MX123 CONN ASSY 73 CKT GRY OPT0 KEY B/46	345661633	C-HSG-B0	G-CAP-0-P	TPA-B0	RS	LS	MAL	CPA	MSEAL	RSEAL	72	71	70	-	-	67	-	65	64	63	62	61	60	-	58	-	56	-	54	-	
											52	51	-	49	-	-	46	45	44	43	42	41	40	-	38	-	36	-	34	-	
															32	31	30	-	28	27	26	25	24	-	22	-	20	19	18	-	
				16	-	14	13	-	-	-	9	8	-	-	-	-	-	-	2	1											
MX123 CONN ASSY 73 CKT GRY OPT0 KEY B/46	345661643	C-HSG-B0	G-CAP-0-P	TPA-B0	RS	LS	MAL	CPA	MSEAL	RSEAL	72	71	70	-	-	67	-	65	64	63	62	61	60	-	58	-	56	-	54	-	
											52	51	-	49	-	-	47	-	45	44	43	42	41	40	-	38	-	36	-	34	-
															32	31	30	-	28	27	26	25	24	-	22	-	20	19	18	-	
				16	-	14	13	-	-	-	9	8	-	-	-	-	-	-	2	1											
MX123 CONN ASSY 73 CKT GRY OPT0 KEY B/50	345661653	C-HSG-B0	G-CAP-0-P	TPA-B0	RS	LS	MAL	CPA	MSEAL	RSEAL	72	71	70	69	68	67	-	65	64	63	62	61	60	-	58	-	56	-	54	-	
											52	51	-	49	-	-	47	-	45	44	43	42	41	40	-	38	-	36	-	34	-
															32	31	30	-	28	27	26	25	24	-	22	-	20	19	18	-	
				16	-	14	13	-	11	10	9	8	-	-	-	-	-	-	2	1											
MX123 CONN ASSY 73 CKT GRY OPT0 KEY B/52	345661663	C-HSG-B0	G-CAP-0-P	TPA-B0	RS	LS	MAL	CPA	MSEAL	RSEAL	72	71	70	69	68	67	-	65	64	63	62	61	60	-	58	-	56	-	54	-	
											52	51	-	49	-	-	47	-	45	44	43	42	41	40	-	38	-	36	-	34	-
															32	31	30	-	28	27	26	25	24	-	22	-	20	19	18	17	
				16	-	14	13	12	11	10	9	8	-	-	-	-	-	-	2	1											
MX123 CONN ASSY 73 CKT BLK OPT0 KEY A/22	345661673	C-HSG-A0	G-CAP-0-P	TPA-A0	RS	LS	MAL	CPA	MSEAL	RSEAL	-	-	-	-	-	-	-	-	-	-	-	61	-	-	58	57	56	-	-	-	
											-	51	50	-	-	47	46	-	-	-	-	-	-	-	38	37	36	-	-	-	
															-	31	30	-	28	-	26	-	-	-	22	21	20	-	-	-	
				-	15	14	-	-	-	10	-	-	-	-	-	-	-	-	-	-											
MX123 CONN ASSY 73 CKT GRY OPT0 KEY B/39	345661683	C-HSG-B0	G-CAP-0-P	TPA-B0	RS	LS	MAL	CPA	MSEAL	RSEAL	72	71	70	69	68	-	-	65	64	-	62	61	60	-	-	-	-	-	54	-	
											52	51	-	-	-	47	46	45	44	-	42	41	40	-	-	-	-	-	34	-	
															32	31	30	-	28	-	26	25	24	-	-	-	20	19	18	17	
				-	-	-	-	12	11	10	9	-	-	-	-	-	-	-	2	1											
MX123 CONN ASSY 73 CKT GRY OPT0 KEY B/53	345661693	C-HSG-B0	G-CAP-0-P	TPA-B0	RS	LS	MAL	CPA	MSEAL	RSEAL	72	71	70	69	68	67	-	65	-	63	62	61	60	-	58	-	56	-	54	-	
											52	51	50	-	-	47	-	45	44	43	42	41	40	-	38	-	36	-	34	-	
															-	31	30	-	28	27	26	25	24	-	22	-	20	19	18	-	
				16	15	14	13	-	11	10	9	8	-	6	5	4	3	2	1												
MX123 CONN ASSY 73 CKT GRY OPT0 KEY B/21	345661713	C-HSG-B0	G-CAP-0-P	TPA-B0	RS	LS	MAL	CPA	MSEAL	RSEAL	72	-	-	69	-	67	-	-	-	-	62	61	-	-	-	-	-	-	-	-	
											52	-	-	-	-	47	-	-	44	-	42	-	-	-	-	-	-	34	-		
															-	-	-	29	28	27	26	25	-	-	-	21	-	-	18	17	
				-	-	14	-	-	-	-	-	-	-	-	-	-	-	-	-	1											
MX123 CONN ASSY 73 CKT GRY OPT0 KEY B/28	345661723	C-HSG-B0	G-CAP-0-P	TPA-B0	RS	LS	MAL	CPA	MSEAL	RSEAL	72	-	-	69	-	67	-	-	64	63	62	61	-	-	-	-	56	55	-	-	
											52	-	-	-	-	47	-	-	44	-	42	-	-	-	-	-	-	34	-		
															-	-	-	29	28	27	26	25	-	-	-	21	-	19	18	17	
				-	-	14	-	-	-	-	-	-	-	-	-	-	-	3	2	1											
MX123 CONN ASSY 73 CKT BLK OPT0 KEY A/35	345661733	C-HSG-A0	G-CAP-0-P	TPA-A0	RS	LS	MAL	CPA	MSEAL	RSEAL	72	71	-	69	-	-	-	-	64	63	62	61	60	59	-	-	56	-	54	53	
											52	51	50	-	48	-	46	45	-	-	-	-	40	-	38	-	36	-	34	33	
															-	31	-	29	28	-	26	-	-	23	22	-	-	-	-	-	
				-	-	14	-	12	11	-	-	-	7	-	-	4	-	-	-												
MX123 CONN ASSY 73 CKT BLK OPT0 KEY A/36	345661743	C-HSG-A0	G-CAP-0-P	TPA-A0	RS	LS	MAL	CPA	MSEAL	RSEAL	72	71	-	69	68	-	-	-	64	63	62	61	60	59	-	-	56	-	54	53	
											52	51	50	-	48	-	46	45	-	-	-	-	40	-	38	-	36	-	34	33	
															-	31	-	29	28	-	26	-	-	23	22	-	-	-	-	-	
				-	-	14	-	12	11	-	-	-	7	-	-	4	-	-	-												

ASSEMBLY DESCRIPTION	ASSEMBLY PART NUMBER	CONNECTOR HOUSING	GROMMET CAP	TPA	RIGHT SLIDE	LEFT SLIDE	MATE ASSIST LEVER	CPA	MAT SEAL	RING SEAL	BLOCKED TERMINALS																				STATUS	COMMENTS	INTEGRAL COMPONENTS SOLD SEPARATELY					
											CAVITY WITH A NUMBER INDICATES BLOCKED TERMINAL POSITION																						DRESS COVER					
											CAVITY WITHOUT A NUMBER INDICATES OPEN TERMINAL POSITION																											
MX123 CONN ASSY 73 CKT BLK OPT0 KEY A/40	345661753	C-HSG-A0	G-CAP-0-P	TPA-A0	RS	LS	MAL	CPA	MSEAL	RSEAL	72	71	-	69	68	-	-	-	64	63	62	61	60	59	-	-	56	-	54	53	SALEABLE		345650003					
											52	51	50	-	48	-	46	45	-	-	-	-	40	-	38	-	36	-	34	33								
															-	31	30	29	28	-	26	-	-	23	22	-	-	-	-	-				-				
											16	-	14	-	12	11	10	-	-	7	-	-	4	-	2	-												
MX123 CONN ASSY 73 CKT GRY OPT0 KEY B/31	345661763	C-HSG-B0	G-CAP-0-P	TPA-B0	RS	LS	MAL	CPA	MSEAL	RSEAL	72	71	70	69	68	-	66	-	64	63	62	-	-	-	-	56	55	-	-	SALEABLE		345650003						
											52	-	-	-	-	-	-	-	44	-	42	41	-	-	38	-	36	35	-				-					
															-	-	-	29	28	27	-	25	-	-	-	-	-	19	18				17					
											-	-	-	-	12	11	-	-	-	-	-	-	-	3	2	1												
MX123 CONN ASSY 73 CKT BLU OPT0 KEY C/41	345661773	C-HSG-C0	G-CAP-0-P	TPA-C0	RS	LS	MAL	CPA	MSEAL	RSEAL	-	71	-	69	68	-	-	65	64	-	-	61	60	-	58	-	56	55	54	-	SALEABLE		345650003					
											-	-	50	49	48	47	-	45	-	43	-	41	-	-	38	37	36	35	-	-								
															32	31	-	29	28	-	-	-	24	23	-	-	-	19	18	17								
											16	-	-	13	12	11	-	-	8	7	-	-	-	3	2	1												
MX123 CONN ASSY 73 CKT BLU OPT0 KEY C/42	345661783	C-HSG-C0	G-CAP-0-P	TPA-C0	RS	LS	MAL	CPA	MSEAL	RSEAL	-	71	-	69	68	-	-	65	64	-	-	61	60	-	58	-	56	55	54	-	SALEABLE		345650003					
											-	-	50	49	48	47	-	45	-	43	-	41	-	-	38	37	36	35	-	-								
															32	31	-	29	28	27	-	-	24	23	-	-	-	19	18	17								
											16	-	-	13	12	11	-	-	8	7	-	-	-	3	2	1												
MX123 CONN ASSY 73 CKT BLK OPT0 KEY A/38	345661793	C-HSG-A0	G-CAP-0-P	TPA-A0	RS	LS	MAL	CPA	MSEAL	RSEAL	72	71	70	-	68	67	66	65	64	-	-	-	60	59	-	-	-	-	-	-	SALEABLE		345650003					
											-	-	50	-	48	47	46	45	-	43	-	41	-	-	38	37	36	35	-	-								
															-	31	30	-	-	-	-	25	24	23	22	21	20	-	-	17								
											-	15	14	-	-	-	-	9	8	7	6	5	4	-	2	1												
MX123 CONN ASSY 73 CKT NAT OPT9 KEY F/73	345661803	C-HSG-F9	G-CAP-9-P	TPA-F9	RS	LS	MAL	CPA	MSEAL	RSEAL	-	-	-	-	-	-	-	-	-	-	-	-	-	-	-	-	-	-	-	SALEABLE		345650003						
											-	-	-	-	-	-	-	-	-	-	-	-	-	-	-	-	-	-	-				-					
MX123 CONN ASSY 73 CKT GRY OPT0 KEY B/24	345661813	C-HSG-B0	G-CAP-0-P	TPA-B0	RS	LS	MAL	CPA	MSEAL	RSEAL	-	-	-	69	-	-	-	65	64	63	-	-	-	-	-	-	-	-	SALEABLE		345650003							
											-	-	-	49	-	-	-	45	44	43	-	-	-	-	-	-	-	-				-	-					
															-	-	-	-	-	-	-	-	-	22	21	20	19	18				17						
											-	-	-	-	12	11	-	-	-	7	6	5	4	3	2	1												
MX123 CONN ASSY 73 CKT BLK OPT0 KEY A/25	345661823	C-HSG-A0	G-CAP-0-P	TPA-A0	RS	LS	MAL	CPA	MSEAL	RSEAL	-	-	-	-	-	67	-	-	-	63	62	-	60	-	-	57	-	55	-	-	SALEABLE		345650003					
											-	51	-	-	48	-	46	45	44	43	-	-	40	39	-	-	-	35	-	-								
															-	-	-	-	-	-	-	25	-	-	-	-	-	-	-	-								
											-	15	14	-	-	-	-	-	-	7	6	5	4	3	2	-												
MX123 CONN ASSY 73 CKT BLK OPT0 KEY A/38	345661833	C-HSG-A0	G-CAP-0-P	TPA-A0	RS	LS	MAL	CPA	MSEAL	RSEAL	72	71	70	69	-	67	66	-	64	-	62	-	60	-	-	57	-	55	54	53	SALEABLE		345650003					
											-	51	-	49	48	-	46	45	44	43	42	-	40	39	-	-	-	35	-	-								
															-	-	-	-	-	-	26	-	-	-	22	21	-	-	-	-								
											-	15	14	-	-	-	-	9	8	7	6	5	4	3	2	-												
MX123 CONN ASSY 73 CKT BLK OPT0 KEY A/33	345661843	C-HSG-A0	G-CAP-0-P	TPA-A0	RS	LS	MAL	CPA	MSEAL	RSEAL	72	71	70	69	-	67	66	-	64	-	62	-	60	-	-	57	-	55	54	-	SALEABLE		345650003					
											-	51	-	49	48	-	46	45	44	43	42	-	40	39	-	-	-	-	-	-								
															-	-	-	-	-	-	26	25	-	-	-	-	-	-	-	-								
											-	-	-	-	-	-	-	9	8	7	6	5	4	3	2	-												
MX123 CONN ASSY 73 CKT BLK OPT0 KEY A/22	345661853	C-HSG-A0	G-CAP-0-P	TPA-A0	RS	LS	MAL	CPA	MSEAL	RSEAL	-	71	-	-	-	-	66	-	64	-	62	-	-	59	58	-	-	-	-	SALEABLE		345650003						
											-	51	-	-	-	-	46	45	-	42	-	-	39	38	-	-	-	-	-				-					
															32	31	-	-	-	27	26	-	-	23	22	-	-	-	-				-	-				
											-	-	14	13	12	-	-	-	-	-	-	-	-	-	-	-	-											
MX123 CONN ASSY 73 CKT GRY OPT0 KEY B/56	345661863	C-HSG-B0	G-CAP-0-P	TPA-B0	RS	LS	MAL	CPA	MSEAL	RSEAL	72	71	70	69	-	-	-	-	-	62	61	60	59	58	57	56	55	54	53	SALEABLE		345650003						
											52	51	50	49	48	47	-	-	44	-	42	41	40	39	38	37	36	35	34				33					
															-	31	-	-	-	-	26	25	24	23	22	21	20	19	18				-					
											-	15	14	13	12	11	-	9	8	7	6	5	4	3	2	1												

ASSEMBLY DESCRIPTION	ASSEMBLY PART NUMBER	CONNECTOR HOUSING	GROMMET CAP	TPA	RIGHT SLIDE	LEFT SLIDE	MATE ASSIST LEVER	CPA	MAT SEAL	RING SEAL	BLOCKED TERMINALS																		STATUS	COMMENTS	INTEGRAL COMPONENTS SOLD SEPARATELY
											CAVITY WITH A NUMBER INDICATES BLOCKED TERMINAL POSITION																				DRESS COVER
											CAVITY WITHOUT A NUMBER INDICATES OPEN TERMINAL POSITION																				
MX123 CONN ASSY 73 CKT BLU OPT0 KEY C/40	345661873	C-HSG-C0	G-CAP-0-P	TPA-C0	RS	LS	MAL	CPA	MSEAL	RSEAL	-	71	-	69	68	-	-	65	64	-	-	61	60	-	58	-	56	55	54	-	
											-	-	50	49	48	47	-	45	-	43	-	41	-	-	38	37	36	35	-	-	
											-																				
											-																				
MX123 CONN ASSY 73 CKT BLK OPT0 KEY A/34	345661883	C-HSG-A0	G-CAP-0-P	TPA-A0	RS	LS	MAL	CPA	MSEAL	RSEAL	72	71	-	69	-	-	-	-	64	63	62	61	60	59	-	-	56	-	54	53	
											52	51	50	-	48	-	46	45	-	-	-	-	-	-	38	-	36	-	34	33	
											-																				
											-																				
MX123 CONN ASSY 73 CKT BLU OPT0 KEY C/42	345661893	C-HSG-C0	G-CAP-0-P	TPA-C0	RS	LS	MAL	CPA	MSEAL	RSEAL	-	71	-	69	68	67	-	65	64	-	62	61	60	-	58	-	56	55	54	-	
											-	-	50	49	48	47	-	45	-	43	-	41	-	-	38	37	36	35	-	-	
											-																				
											-																				
MX123 CONN ASSY 73 CKT GRY OPT0 KEY B/42	345661913	C-HSG-B0	G-CAP-0-P	TPA-B0	RS	LS	MAL	CPA	MSEAL	RSEAL	-	71	-	69	-	67	-	65	64	63	62	61	-	-	58	57	56	-	-	-	
											-	51	-	49	-	47	-	45	44	43	42	41	-	-	38	37	36	-	-	-	
											-																				
											-																				
MX123 CONN ASSY 73 CKT BLK OPT0 KEY A/46	345661923	C-HSG-A0	G-CAP-0-P	TPA-A0	RS	LS	MAL	CPA	MSEAL	RSEAL	72	71	70	-	68	67	66	65	64	-	62	61	60	59	-	57	-	-	-	-	
											-	-	50	-	48	47	46	45	-	-	-	-	40	39	38	37	-	-	-	-	
											-																				
											-																				
MX123 CONN ASSY 73 CKT BLK OPT0 KEY A/35	345661933	C-HSG-A0	G-CAP-0-P	TPA-A0	RS	LS	MAL	CPA	MSEAL	RSEAL	72	71	-	69	68	-	-	-	64	63	62	61	60	59	-	-	56	-	54	53	
											52	51	50	-	48	-	46	45	-	-	-	-	-	-	38	-	36	-	34	33	
											-																				
											-																				
MX123 CONN ASSY 73 CKT BLK OPT0 KEY A/34	345661943	C-HSG-A0	G-CAP-0-P	TPA-A0	RS	LS	MAL	CPA	MSEAL	RSEAL	72	71	-	69	68	-	-	-	64	63	62	61	60	59	-	-	56	-	54	53	
											52	-	50	-	48	-	46	45	-	-	-	-	-	-	38	-	36	-	34	33	
											-																				
											-																				
MX123 CONN ASSY 73 CKT BLU OPT0 KEY C/42	345661953	C-HSG-C0	G-CAP-0-P	TPA-C0	RS	LS	MAL	CPA	MSEAL	RSEAL	-	71	-	69	68	67	-	65	64	-	62	61	60	-	58	-	56	55	54	-	
											-	-	50	49	-	-	-	45	-	43	-	41	-	-	38	37	36	35	-	-	
											-																				
											-																				
MX123 CONN ASSY 73 CKT BLU OPT0 KEY C/44	345661963	C-HSG-C0	G-CAP-0-P	TPA-C0	RS	LS	MAL	CPA	MSEAL	RSEAL	-	71	-	69	68	67	-	65	64	-	62	61	60	-	58	-	56	55	54	-	
											-	-	50	49	48	47	-	45	-	43	-	41	-	-	38	37	36	35	-	-	
											-																				
											-																				
MX123 CONN ASSY 73 CKT BLK OPT0 KEY A/43	345661973	C-HSG-A0	G-CAP-0-P	TPA-A0	RS	LS	MAL	CPA	MSEAL	RSEAL	72	71	70	-	68	67	66	65	64	-	62	61	60	59	58	57	-	-	-	-	
											-	-	50	-	48	47	46	45	-	-	-	-	40	39	38	37	-	-	-	-	
											-																				
											-																				
MX123 CONN ASSY 73 CKT GRY OPT0 KEY B/73	345661983	C-HSG-B0	G-CAP-0-P	TPA-B0	RS	LS	MAL	CPA	MSEAL	RSEAL	72	71	70	69	68	67	66	65	64	63	62	61	60	59	58	57	56	55	54	53	
											52	51	50	49	48	47	46	45	44	43	42	41	40	39	38	37	36	35	34	33	
											-																				
											-																				
MX123 CONN ASSY 73 CKT BLU OPT0 KEY C/73	345661993	C-HSG-C0	G-CAP-0-P	TPA-C0	RS	LS	MAL	CPA	MSEAL	RSEAL	72	71	70	69	68	67	66	65	64	63	62	61	60	59	58	57	56	55	54	53	
											52	51	50	49	48	47	46	45	44	43	42	41	40	39	38	37	36	35	34	33	
											-																				
											-																				

ASSEMBLY DESCRIPTION	ASSEMBLY PART NUMBER	CONNECTOR HOUSING	GROMMET CAP	TPA	RIGHT SLIDE	LEFT SLIDE	MATE ASSIST LEVER	CPA	MAT SEAL	RING SEAL	BLOCKED TERMINALS																		STATUS	COMMENTS	INTEGRAL COMPONENTS SOLD SEPARATELY						
											CAVITY WITH A NUMBER INDICATES BLOCKED TERMINAL POSITION																				DRESS COVER						
											CAVITY WITHOUT A NUMBER INDICATES OPEN TERMINAL POSITION																										
MX123 CONN ASSY 73 CKT BLK OPT0 KEY A/31	345662013	C-HSG-A0	G-CAP-0-P	TPA-A0	RS	LS	MAL	CPA	MSEAL	RSEAL	72	-	-	69	68	67	66	-	64	63	62	61	-	-	-	-	56	55	-	-							
											52	-	-	-	-	47	-	-	44	-	42	-	-	-	38	-	-	-	34	-							
																						-	-	-	29	28	27	26	25	-	-	-	21	-	19	18	17
																						-	-	14	-	-	-	-	-	-	-	-	-	-	-	3	2
MX123 CONN ASSY 73 CKT BLK OPT0 KEY A/38	345662023	C-HSG-A0	G-CAP-0-P	TPA-A0	RS	LS	MAL	CPA	MSEAL	RSEAL	72	71	-	69	-	-	-	-	64	63	62	61	60	59	-	-	56	-	54	53							
											52	51	50	-	48	-	46	45	-	-	-	-	40	-	38	-	36	-	34	33							
																						-	31	-	29	28	-	26	-	-	23	22	-	-	-	-	-
																						16	-	14	-	12	11	10	-	-	7	-	-	4	-	2	-
MX123 CONN ASSY 73 CKT BLK OPT0 KEY A/27	345662033	C-HSG-A0	G-CAP-0-P	TPA-A0	RS	LS	MAL	CPA	MSEAL	RSEAL	72	-	-	69	68	67	66	-	-	63	62	61	-	-	-	-	56	-	-	-							
											52	-	-	-	-	47	-	-	44	-	42	-	-	-	38	-	-	-	34	-							
																						-	-	-	29	28	27	26	25	-	-	-	21	-	19	18	17
																						-	-	14	-	-	-	-	-	-	-	-	-	-	-	-	-
MX123 CONN ASSY 73 CKT BLK OPT0 KEY A/39	345662043	C-HSG-A0	G-CAP-0-P	TPA-A0	RS	LS	MAL	CPA	MSEAL	RSEAL	72	71	-	69	68	-	-	-	64	63	62	61	60	59	-	-	56	-	54	53							
											52	51	50	-	48	-	46	45	-	-	-	-	40	-	38	-	36	-	34	33							
																						-	31	-	29	28	-	26	-	-	23	22	-	-	-	-	-
																						16	-	14	-	12	11	10	-	-	7	-	-	4	-	2	-
MX123 CONN ASSY 73 CKT GRY OPT0 KEY B/41	345662053	C-HSG-B0	G-CAP-0-P	TPA-B0	RS	LS	MAL	CPA	MSEAL	RSEAL	72	71	-	69	-	-	-	-	64	63	62	61	60	59	-	-	56	-	54	53							
											52	51	50	-	48	-	46	45	-	-	-	-	40	-	38	-	36	35	34	33							
																						-	31	-	29	28	-	26	-	-	-	22	-	-	-	-	17
																						16	15	14	-	12	11	10	9	-	7	-	-	4	-	2	-
MX123 CONN ASSY 73 CKT BLK OPT0 KEY A/37	345662093	C-HSG-A0	G-CAP-0-P	TPA-A0	RS	LS	MAL	CPA	MSEAL	RSEAL	72	71	70	69	-	67	66	-	64	-	62	-	60	-	-	57	-	55	54	53							
											-	51	-	49	48	-	46	45	44	43	42	-	40	39	-	-	-	35	-	-							
																						-	-	-	-	-	-	26	-	-	-	22	21	-	-	-	-
																						-	15	14	-	-	-	-	-	8	7	6	5	4	3	2	-
MX123 CONN ASSY 73 CKT GRY OPT0 KEY B/27	345662133	C-HSG-B0	G-CAP-0-P	TPA-B0	RS	LS	MAL	CPA	MSEAL	RSEAL	72	-	-	69	68	67	66	-	-	63	62	61	-	-	-	-	56	-	-	-							
											52	-	-	-	-	47	-	-	44	-	42	-	-	-	38	-	-	-	34	-							
																						-	-	-	29	28	27	26	25	-	-	-	21	-	19	18	17
																						-	-	14	-	-	-	-	-	-	-	-	-	-	-	-	-
MX123 CONN ASSY 73 CKT GRY OPT0 KEY B/31	345662143	C-HSG-B0	G-CAP-0-P	TPA-B0	RS	LS	MAL	CPA	MSEAL	RSEAL	72	-	-	69	68	67	66	-	64	63	62	61	-	-	-	-	56	55	-	-							
											52	-	-	-	-	47	-	-	44	-	42	-	-	-	38	-	-	-	34	-							
																						-	-	-	29	28	27	26	25	-	-	-	21	-	19	18	17
																						-	-	14	-	-	-	-	-	-	-	-	-	-	-	3	2
MX123 CONN ASSY 73 CKT BLK OPT0 KEY A/41	345662153	C-HSG-A0	G-CAP-0-P	TPA-A0	RS	LS	MAL	CPA	MSEAL	RSEAL	72	71	-	69	-	-	-	-	64	63	62	61	60	59	-	-	56	-	54	53							
											52	51	50	-	48	-	46	45	-	-	-	-	40	-	38	-	36	35	34	33							
																						-	31	-	29	28	-	26	-	-	-	22	-	-	-	-	17
																						16	15	14	-	12	11	10	9	-	7	-	-	4	-	2	-
MX123 CONN ASSY 73 CKT BLK OPT0 KEY A/40	345662163	C-HSG-A0	G-CAP-0-P	TPA-A0	RS	LS	MAL	CPA	MSEAL	RSEAL	72	71	-	69	68	-	-	65	64	63	62	-	60	59	-	57	56	-	-	53							
											52	51	50	-	48	-	46	-	-	-	-	-	40	-	38	-	36	35	-	33							
																						-	31	30	29	28	-	26	25	-	23	22	-	-	-	-	-
																						16	-	14	-	12	-	10	-	8	7	-	-	4	-	2	-
MX123 CONN ASSY 73 CKT BLK OPT0 KEY A/36	345662173	C-HSG-A0	G-CAP-0-P	TPA-A0	RS	LS	MAL	CPA	MSEAL	RSEAL	72	71	-	69	68	-	-	-	64	63	62	-	60	59	-	57	56	-	-	53							
											52	51	50	-	48	-	46	-	-	-	-	-	40	-	38	-	36	35	-	33							
																						-	31	-	29	28	-	26	-	-	23	22	-	-	-	-	-
																						16	-	14	-	12	-	10	-	-	7	-	-	4	-	2	-
MX123 CONN ASSY 73 CKT BLK OPT0 KEY A/44	345662183	C-HSG-A0	G-CAP-0-P	TPA-A0	RS	LS	MAL	CPA	MSEAL	RSEAL	72	71	-	69	68	-	-	65	64	63	62	61	60	59	-	-	56	-	54	53							
											52	51	50	-	48	-	46	45	-	-	-	-	40	-	38	-	36	35	34	33							
																						-	31	30	29	28	-	26	25	-	23	22	-	-	-	-	-
																						16	-	14	-	12	11	10	-	8	7	-	-	4	-	2	-

ASSEMBLY DESCRIPTION	ASSEMBLY PART NUMBER	CONNECTOR HOUSING	GROMMET CAP	TPA	RIGHT SLIDE	LEFT SLIDE	MATE ASSIST LEVER	CPA	MAT SEAL	RING SEAL	BLOCKED TERMINALS																				STATUS	COMMENTS	INTEGRAL COMPONENTS SOLD SEPARATELY
											CAVITY WITH A NUMBER INDICATES BLOCKED TERMINAL POSITION																						DRESS COVER
											CAVITY WITHOUT A NUMBER INDICATES OPEN TERMINAL POSITION																						
MX123 CONN ASSY 73 CKT BLK OPT0 KEY A/40	345662193	C-HSG-A0	G-CAP-0-P	TPA-A0	RS	LS	MAL	CPA	MSEAL	RSEAL	72	71	-	69	68	-	-	-	64	63	62	61	60	59	-	-	56	-	54	53	SALEABLE		345650003
											52	51	50	-	48	-	46	45	-	-	-	-	40	-	38	-	36	35	34	33			
															-	31	-	29	28	-	26	-	-	23	22	-	-	-	-	-			
MX123 CONN ASSY 73 CKT BLK OPT0 KEY A/24	345662223	C-HSG-A0	G-CAP-0-P	TPA-A0	RS	LS	MAL	CPA	MSEAL	RSEAL	-	-	-	-	-	-	-	65	-	-	-	61	-	-	58	57	56	-	-	-	SALEABLE		345650003
											-	51	50	-	-	47	-	45	-	-	-	41	-	-	38	37	36	-	-	-			
															-	31	30	-	28	-	26	25	-	-	22	21	20	-	-	-			
MX123 CONN ASSY 73 CKT BLK OPT0 KEY A/48	345662233	C-HSG-A0	G-CAP-0-P	TPA-A0	RS	LS	MAL	CPA	MSEAL	RSEAL	72	71	70	-	68	67	66	65	64	-	62	61	60	59	-	57	-	55	-	53	SALEABLE		345650003
											-	-	50	-	48	47	46	45	-	-	-	-	40	39	38	37	-	-	-	-			
															-	31	30	29	-	27	-	25	24	23	22	21	20	-	-	17			
MX123 CONN ASSY 73 CKT BLK OPT0 KEY A/24	345662253	C-HSG-A0	G-CAP-0-P	TPA-A0	RS	LS	MAL	CPA	MSEAL	RSEAL	-	-	-	-	-	67	-	-	-	-	62	-	60	-	-	57	-	55	-	-	SALEABLE		345650003
											-	51	-	-	48	-	46	45	44	43	-	-	40	39	-	-	-	35	-	-			
															-	-	-	-	-	-	-	25	-	-	-	-	-	-	-	-			
MX123 CONN ASSY 73 CKT BLK OPT0 KEY A/44	345662263	C-HSG-A0	G-CAP-0-P	TPA-A0	RS	LS	MAL	CPA	MSEAL	RSEAL	72	71	70	-	68	67	66	65	64	-	62	61	60	59	-	57	-	-	-	-	SALEABLE		345650003
											-	-	-	-	48	47	46	45	-	-	-	-	40	39	38	37	-	-	-	-			
															-	31	30	29	-	27	-	25	24	23	22	21	20	-	-	17			
MX123 CONN ASSY 73 CKT BLK OPT0 KEY A/36	345662273	C-HSG-A0	G-CAP-0-P	TPA-A0	RS	LS	MAL	CPA	MSEAL	RSEAL	72	71	70	-	68	67	66	65	64	-	-	-	60	59	-	-	-	-	-	SALEABLE		345650003	
											-	-	-	-	48	47	46	45	-	-	-	-	40	39	38	-	-	-	-				-
															-	31	30	-	-	-	-	25	24	23	22	21	20	-	-				17
MX123 CONN ASSY 73 CKT GRY OPT0 KEY B/52	345662283	C-HSG-B0	G-CAP-0-P	TPA-B0	RS	LS	MAL	CPA	MSEAL	RSEAL	72	71	70	69	-	-	-	-	-	-	62	61	60	59	58	57	56	-	54	53	SALEABLE		345650003
											52	51	50	-	-	47	-	-	-	-	42	41	40	39	38	37	36	35	34	33			
															-	31	-	-	-	-	26	25	24	23	22	21	20	19	18	-			
MX123 CONN ASSY 73 CKT BLU OPT0 KEY C/44	345662293	C-HSG-C0	G-CAP-0-P	TPA-C0	RS	LS	MAL	CPA	MSEAL	RSEAL	-	71	-	69	-	67	-	65	64	-	62	61	60	-	58	-	56	55	54	-	SALEABLE		345650003
											-	-	50	49	-	-	-	45	-	43	-	41	-	-	38	37	36	35	-	-			
															32	31	-	29	28	27	-	-	24	23	-	-	20	19	18	17			
MX123 CONN ASSY 73 CKT BLU OPT0 KEY C/47	345662313	C-HSG-C0	G-CAP-0-P	TPA-C0	RS	LS	MAL	CPA	MSEAL	RSEAL	-	71	-	69	68	67	-	65	64	-	62	61	60	-	58	-	56	55	54	-	SALEABLE		345650003
											-	-	50	49	48	47	-	45	-	43	-	41	-	-	38	37	36	35	-	-			
															32	31	-	29	28	27	-	-	24	23	-	-	20	19	18	17			
MX123 CONN ASSY 73 CKT BLU OPT0 KEY C/41	345662323	C-HSG-C0	G-CAP-0-P	TPA-C0	RS	LS	MAL	CPA	MSEAL	RSEAL	-	71	-	69	-	67	-	65	64	-	62	61	60	-	58	-	56	55	54	-	SALEABLE		345650003
											-	-	50	49	-	-	-	45	-	43	-	41	-	-	38	37	36	35	-	-			
															32	31	-	29	28	27	-	-	24	23	-	-	20	19	18	17			
MX123 CONN ASSY 73 CKT BLK OPT0 KEY A/33	345662333	C-HSG-A0	G-CAP-0-P	TPA-A0	RS	LS	MAL	CPA	MSEAL	RSEAL	72	-	70	-	-	67	66	-	-	-	62	-	60	-	58	-	-	55	54	53	SALEABLE		345650003
											-	51	-	-	48	-	46	45	44	43	42	-	40	-	-	-	-	35	-	-			
															-	-	-	-	-	-	26	25	-	-	-	21	-	-	-	17			
MX123 CONN ASSY 73 CKT BLK OPT0 KEY A/36	345662343	C-HSG-A0	G-CAP-0-P	TPA-A0	RS	LS	MAL	CPA	MSEAL	RSEAL	-	71	-	69	-	-	-	-	64	63	62	61	60	59	-	-	56	-	54	53	SALEABLE		345650003
											52	51	50	-	48	-	46	45	-	-	-	-	40	-	38	-	36	-	34	33			
															-	31	-	29	28	-	26	-	-	23	22	-	-	-	-	-			

ASSEMBLY DESCRIPTION	ASSEMBLY PART NUMBER	CONNECTOR HOUSING	GROMMET CAP	TPA	RIGHT SLIDE	LEFT SLIDE	MATE ASSIST LEVER	CPA	MAT SEAL	RING SEAL	BLOCKED TERMINALS																			STATUS	COMMENTS	INTEGRAL COMPONENTS SOLD SEPARATELY		
											CAVITY WITH A NUMBER INDICATES BLOCKED TERMINAL POSITION																					DRESS COVER		
											CAVITY WITHOUT A NUMBER INDICATES OPEN TERMINAL POSITION																							
MX123 CONN ASSY 73 CKT BLK OPT0 KEY A/37	345662353	C-HSG-A0	G-CAP-0-P	TPA-A0	RS	LS	MAL	CPA	MSEAL	RSEAL	-	71	-	69	68	-	-	-	64	63	62	61	60	59	-	-	56	-	54	53	SALEABLE		345650003	
											52	51	50	-	48	-	46	45	-	-	-	-	40	-	38	-	36	-	34	33				
											-																			16				-
MX123 CONN ASSY 73 CKT BLU OPT0 KEY C/39	345662363	C-HSG-C0	G-CAP-0-P	TPA-C0	RS	LS	MAL	CPA	MSEAL	RSEAL	-	71	-	69	68	-	-	65	64	-	-	61	60	-	58	-	56	55	54	-	SALEABLE		345650003	
											-	-	50	49	48	47	-	45	-	43	-	41	-	-	-	37	36	35	-	-				
											-																			16				-
MX123 CONN ASSY 73 CKT GRY OPT0 KEY B/21	345662373	C-HSG-B0	G-CAP-0-P	TPA-B0	RS	LS	MAL	CPA	MSEAL	RSEAL	72	71	70	69	-	-	-	-	63	62	-	-	-	-	-	56	-	-	-	SALEABLE		345650003		
											52	-	-	-	-	-	-	-	44	-	-	-	-	-	-	36	-	-	-				-	
											-																						-	-
MX123 CONN ASSY 73 CKT GRY OPT0 KEY B/50	345662383	C-HSG-B0	G-CAP-0-P	TPA-B0	RS	LS	MAL	CPA	MSEAL	RSEAL	72	71	70	69	68	67	66	-	64	63	62	61	60	-	58	-	56	-	54	-	SALEABLE		345650003	
											52	51	-	-	-	47	-	45	44	43	42	41	40	-	38	-	36	-	34	-				
											-																			32				31
MX123 CONN ASSY 73 CKT GRY OPT0 KEY B/50	345662393	C-HSG-B0	G-CAP-0-P	TPA-B0	RS	LS	MAL	CPA	MSEAL	RSEAL	72	71	70	69	68	67	66	65	64	63	62	61	60	-	58	-	56	-	54	-	SALEABLE		345650003	
											52	51	-	-	-	47	-	45	44	43	42	41	40	-	38	-	36	-	34	-				
											-																			32				31
MX123 CONN ASSY 73 CKT BLK OPT0 KEY A/38	345662413	C-HSG-A0	G-CAP-0-P	TPA-A0	RS	LS	MAL	CPA	MSEAL	RSEAL	72	71	-	69	68	-	-	-	64	63	62	61	60	59	-	-	56	-	54	53	SALEABLE		345650003	
											52	51	50	-	48	-	46	45	-	-	-	-	40	-	38	-	36	-	34	33				
											-																			16				-
MX123 CONN ASSY 73 CKT BLK OPT0 KEY A/44	345662423	C-HSG-A0	G-CAP-0-P	TPA-A0	RS	LS	MAL	CPA	MSEAL	RSEAL	72	71	70	69	68	67	66	65	64	-	62	61	60	59	-	-	-	-	-	-	SALEABLE		345650003	
											-	-	50	-	48	47	46	45	-	-	-	-	40	39	38	37	-	-	-	-				-
											-																			-				31
MX123 CONN ASSY 73 CKT BLK OPT0 KEY A/44	345662433	C-HSG-A0	G-CAP-0-P	TPA-A0	RS	LS	MAL	CPA	MSEAL	RSEAL	72	71	70	-	68	67	66	65	64	-	62	61	60	59	58	57	-	-	-	-	-	SALEABLE		345650003
											-	-	50	-	48	47	46	45	-	-	-	-	40	39	38	37	-	-	-	-	-			
											-																			-	31			
MX123 CONN ASSY 73 CKT BLU OPT0 KEY C/40	345662443	C-HSG-C0	G-CAP-0-P	TPA-C0	RS	LS	MAL	CPA	MSEAL	RSEAL	-	71	-	69	-	67	-	65	64	-	62	61	60	-	58	-	56	55	54	-	SALEABLE		345650003	
											-	-	50	49	-	-	-	45	-	43	42	41	-	-	38	37	36	35	-	-				
											-																			16				-
MX123 CONN ASSY 73 CKT BLK OPT0 KEY A/36	345662453	C-HSG-A0	G-CAP-0-P	TPA-A0	RS	LS	MAL	CPA	MSEAL	RSEAL	72	-	70	-	68	67	66	-	-	-	62	61	60	59	-	-	-	-	-	-	SALEABLE		345650003	
											-	-	50	-	48	47	46	-	-	-	-	-	40	39	38	-	-	-	-	-				-
											-																			-				31
MX123 CONN ASSY 73 CKT BLK OPT0 KEY A/36	345662463	C-HSG-A0	G-CAP-0-P	TPA-A0	RS	LS	MAL	CPA	MSEAL	RSEAL	72	-	70	-	68	67	66	-	-	-	62	61	60	59	58	-	-	-	-	-	SALEABLE		345650003	
											-	-	50	-	48	47	46	-	-	-	-	-	40	39	38	-	-	-	-	-				-
											-																			-				31
MX123 CONN ASSY 73 CKT BLK OPT0 KEY A/37	345662473	C-HSG-A0	G-CAP-0-P	TPA-A0	RS	LS	MAL	CPA	MSEAL	RSEAL	72	71	-	69	-	-	-	-	64	63	62	61	60	59	-	-	56	-	54	53	SALEABLE		345650003	
											52	51	50	-	48	-	46	45	-	-	-	-	40	-	38	-	36	-	34	33				
											-																			16				-

ASSEMBLY DESCRIPTION	ASSEMBLY PART NUMBER	CONNECTOR HOUSING	GROMMET CAP	TPA	RIGHT SLIDE	LEFT SLIDE	MATE ASSIST LEVER	CPA	MAT SEAL	RING SEAL	BLOCKED TERMINALS																				STATUS	COMMENTS	INTEGRAL COMPONENTS SOLD SEPARATELY
											CAVITY WITH A NUMBER INDICATES BLOCKED TERMINAL POSITION																						DRESS COVER
											CAVITY WITHOUT A NUMBER INDICATES OPEN TERMINAL POSITION																						
MX123 CONN ASSY 73 CKT GRY OPT0 KEY B/53	345662603	C-HSG-B0	G-CAP-0-P	TPA-B0	RS	LS	MAL	CPA	MSEAL	RSEAL	72	71	70	69	68	-	-	-	64	63	62	61	60	-	58	-	56	-	54	-			
											52	51	50	-	-	-	46	45	-	43	42	41	40	-	38	-	36	-	34	-			
															32	31	30	-	-	27	26	25	24	-	22	-	20	19	18	17			
															16	15	14	13	12	11	10	9	8	-	6	5	4	3	2	1			
MX123 CONN ASSY 73 CKT BLU OPT9 KEY C/41	345662613	C-HSG-C0	G-CAP-9-P	TPA-C0	RS	LS	MAL	CPA	MSEAL	RSEAL	-	71	-	69	68	-	-	65	64	-	-	61	60	-	58	-	56	55	54	-			
											-	-	50	49	48	47	-	45	-	43	-	41	-	-	38	37	36	35	-	-			
															32	31	-	29	28	-	-	-	24	23	-	-	-	19	18	17			
															16	-	-	13	12	11	-	-	8	7	-	-	-	3	2	1			
MX123 CONN ASSY 73 CKT BLK OPT0 KEY A/34	345662623	C-HSG-A0	G-CAP-0-P	TPA-A0	RS	LS	MAL	CPA	MSEAL	RSEAL	72	-	70	-	-	-	66	-	-	-	62	-	60	-	58	-	-	55	54	53			
											52	51	-	-	48	-	46	45	44	43	42	-	40	39	-	-	-	35	-	-			
															-	-	-	-	-	-	26	25	-	-	22	21	-	-	-	17			
															-	15	14	-	-	-	-	-	8	-	6	5	-	3	2	1			
MX123 CONN ASSY 73 CKT BLK OPT0 KEY A/38	345662633	C-HSG-A0	G-CAP-0-P	TPA-A0	RS	LS	MAL	CPA	MSEAL	RSEAL	72	-	70	-	-	-	66	-	-	-	63	62	-	60	-	58	-	-	55	54	53		
											52	51	-	-	48	-	46	45	44	43	42	-	40	39	-	-	-	35	34	-			
															-	-	-	-	-	-	26	25	-	-	22	21	-	-	-	17			
															-	15	14	13	12	-	-	-	8	-	6	5	-	3	2	1			
MX123 CONN ASSY 73 CKT BLK OPT0 KEY A/32	345662643	C-HSG-A0	G-CAP-0-P	TPA-A0	RS	LS	MAL	CPA	MSEAL	RSEAL	72	-	70	-	-	-	66	-	-	-	62	-	60	-	58	-	-	55	54	53			
											52	51	-	-	48	-	46	45	44	43	42	-	40	-	-	-	-	35	-	-			
															-	-	-	-	-	-	26	25	-	-	-	21	-	-	-	17			
															-	15	14	-	-	-	-	-	8	-	6	5	-	3	2	1			
MX123 CONN ASSY 73 CKT BLK OPT0 KEY A/36	345662653	C-HSG-A0	G-CAP-0-P	TPA-A0	RS	LS	MAL	CPA	MSEAL	RSEAL	72	-	70	-	-	-	66	-	-	-	63	62	-	60	-	58	-	-	55	54	53		
											52	51	-	-	48	-	46	45	44	43	42	-	40	-	-	-	-	35	34	-			
															-	-	-	-	-	-	26	25	-	-	-	21	-	-	-	17			
															-	15	14	13	12	-	-	-	8	-	6	5	-	3	2	1			
MX123 CONN ASSY 73 CKT GRY OPT0 KEY B/27	345662693	C-HSG-B0	G-CAP-0-P	TPA-B0	RS	LS	MAL	CPA	MSEAL	RSEAL	72	-	-	69	-	67	-	-	64	63	62	61	-	-	-	-	56	55	-	-			
											52	-	-	-	-	47	-	-	44	-	-	-	-	-	-	-	-	-	34	-			
															-	-	-	29	28	27	26	25	-	-	-	21	-	19	18	17			
															-	-	14	-	-	-	-	-	-	-	-	-	-	3	2	1			
MX123 CONN ASSY 73 CKT GRY OPT0 KEY B/55	345662703	C-HSG-B0	G-CAP-0-P	TPA-B0	RS	LS	MAL	CPA	MSEAL	RSEAL	72	71	70	69	68	67	66	-	64	63	62	61	60	-	58	-	56	-	54	-			
											52	51	50	-	-	-	46	45	-	43	42	41	40	-	38	-	36	-	34	-			
															32	31	30	-	-	27	26	25	24	-	22	-	20	19	18	17			
															16	15	14	13	12	11	10	9	8	-	6	5	4	3	2	1			
MX123 CONN ASSY 73 CKT BLK OPT0 KEY A/33	345662713	C-HSG-A0	G-CAP-0-P	TPA-A0	RS	LS	MAL	CPA	MSEAL	RSEAL	72	71	70	-	-	67	66	-	-	-	62	-	-	-	-	57	-	55	54	53			
											-	51	-	-	48	-	46	45	44	43	42	-	40	39	-	-	-	35	-	-			
															-	-	-	-	-	-	26	-	-	-	22	21	-	-	-	-			
															-	15	14	-	-	-	-	-	8	7	6	5	4	3	2	-			
MX123 CONN ASSY 73 CKT GRY OPT0 KEY B/20	345662723	C-HSG-B0	G-CAP-0-P	TPA-B0	RS	LS	MAL	CPA	MSEAL	RSEAL	72	-	-	69	-	67	-	-	-	-	62	61	-	-	-	-	-	-	-				
											52	-	-	-	-	47	-	-	44	-	-	-	-	-	-	-	-	-	34	-			
															-	-	-	29	28	27	26	25	-	-	-	21	-	-	18	17			
															-	-	14	-	-	-	-	-	-	-	-	-	-	-	-	1			
MX123 CONN ASSY 73 CKT BLK OPT0 KEY A/35	345662733	C-HSG-A0	G-CAP-0-P	TPA-A0	RS	LS	MAL	CPA	MSEAL	RSEAL	72	71	-	69	-	-	-	-	64	63	62	61	60	59	-	-	56	-	54	53			
											52	51	50	-	48	-	46	45	-	-	-	-	40	-	38	-	36	35	34	33			
															-	31	-	29	28	-	26	-	-	-	22	-	-	-	-	-			
															-	-	14	-	12	11	-	-	-	7	-	-	4	-	-	-			
MX123 CONN ASSY 73 CKT BLU OPT0 KEY C/41	345662743	C-HSG-C0	G-CAP-0-P	TPA-C0	RS	LS	MAL	CPA	MSEAL	RSEAL	-	71	-	69	68	-	-	65	64	-	-	61	60	-	58	-	56	55	54	-			
											-	-	50	49	48	47	-	45	-	43	-	41	-	-	38	37	36	35	-	-			
															-	31	-	29	28	27	-	-	24	23	-	-	-	19	18	17			
															16	-	-	13	12	11	-	-	8	7	-	-	-	3	2	1			

ASSEMBLY DESCRIPTION	ASSEMBLY PART NUMBER	CONNECTOR HOUSING	GROMMET CAP	TPA	RIGHT SLIDE	LEFT SLIDE	MATE ASSIST LEVER	CPA	MAT SEAL	RING SEAL	BLOCKED TERMINALS																		STATUS	COMMENTS	INTEGRAL COMPONENTS SOLD SEPARATELY			
											CAVITY WITH A NUMBER INDICATES BLOCKED TERMINAL POSITION																				DRESS COVER			
											CAVITY WITHOUT A NUMBER INDICATES OPEN TERMINAL POSITION																							
MX123 CONN ASSY 73 CKT BLK OPT0 KEY A/24	345662903	C-HSG-A0	G-CAP-0-P	TPA-A0	RS	LS	MAL	CPA	MSEAL	RSEAL	-	-	-	-	-	-	-	-	65	-	-	-	-	60	-	58	57	56	-	-	-			
											-	-	50	-	-	47	46	45	-	-	-	-	40	-	38	37	36	-	-	-				
											-																		-	15	14	-	-	-
MX123 CONN ASSY 73 CKT GRY OPT0 KEY B/55	345662913	C-HSG-B0	G-CAP-0-P	TPA-B0	RS	LS	MAL	CPA	MSEAL	RSEAL	72	71	70	69	-	-	66	65	-	63	62	61	60	59	-	57	56	55	54	53				
											52	51	50	49	48	47	-	-	44	43	42	41	40	39	-	37	36	35	34	33				
											-																		-	31	-	-	-	-
MX123 CONN ASSY 73 CKT GRY OPT0 KEY B/59	345662923	C-HSG-B0	G-CAP-0-P	TPA-B0	RS	LS	MAL	CPA	MSEAL	RSEAL	72	71	70	69	-	-	66	65	-	63	62	61	60	59	58	57	56	55	54	53				
											52	51	50	49	48	47	-	-	44	43	42	41	40	39	38	37	36	35	34	33				
											-																		-	31	-	-	-	-
MX123 CONN ASSY 73 CKT BLK OPT0 KEY A/37	345662933	C-HSG-A0	G-CAP-0-P	TPA-A0	RS	LS	MAL	CPA	MSEAL	RSEAL	-	71	70	-	68	-	66	-	64	-	62	61	-	59	58	-	-	55	54	-				
											52	51	50	-	48	-	46	45	-	-	42	41	-	39	38	-	-	-	34	-				
											-																		32	-	-	-	-	27
MX123 CONN ASSY 73 CKT GRY OPT0 KEY B/23	345662943	C-HSG-B0	G-CAP-0-P	TPA-B0	RS	LS	MAL	CPA	MSEAL	RSEAL	72	71	70	69	-	-	66	65	-	-	62	61	60	-	58	-	56	55	54	53				
											52	51	50	49	48	47	-	-	44	-	42	41	40	-	38	-	36	35	34	33				
											-																		-	31	-	-	-	-
MX123 CONN ASSY 73 CKT GRY OPT0 KEY B/21	345662953	C-HSG-B0	G-CAP-0-P	TPA-B0	RS	LS	MAL	CPA	MSEAL	RSEAL	72	71	70	69	-	-	66	65	-	-	62	61	60	-	58	57	56	55	54	53				
											52	51	50	49	48	47	-	-	44	-	42	41	40	-	38	37	36	35	-	33				
											-																		-	31	-	-	-	-
MX123 CONN ASSY 73 CKT BLK OPT9 KEY A/38	345662983	C-HSG-A9	G-CAP-9-P	TPA-A9	RS	LS	MAL	CPA	MSEAL	RSEAL	72	71	-	-	68	67	66	65	64	-	-	-	60	59	-	-	-	-	-	-				
											-	-	50	-	48	47	46	45	-	-	-	-	40	39	38	-	-	35	-	33				
											-																		-	31	30	-	-	-
MX123 CONN ASSY 73 CKT GRY OPT9 KEY B/49	345662993	C-HSG-B9	G-CAP-9-P	TPA-B9	RS	LS	MAL	CPA	MSEAL	RSEAL	-	-	-	69	-	-	-	65	64	63	-	-	-	-	-	-	-	-	-					
											-	-	-	49	-	-	-	45	44	43	-	-	-	-	-	-	-	-	-	-				
											-																		-	-	-	-	-	-
MX123 CONN ASSY 73 CKT BLK OPT0 KEY A/6	345663003	C-HSG-A0	G-CAP-0-P	TPA-A0	RS	LS	MAL	CPA	MSEAL	RSEAL	-	-	-	-	-	-	-	65	-	-	-	61	-	-	-	-	-	-	-					
											-	-	-	-	-	-	-	45	-	-	-	-	-	-	-	-	-	-	-	-				
											-																		-	-	-	-	-	-
MX123 CONN ASSY 73 CKT BLU OPT9 KEY C/41	345663013	C-HSG-C9	G-CAP-9-P	TPA-C9	RS	LS	MAL	CPA	MSEAL	RSEAL	-	-	-	-	-	-	-	65	64	-	-	61	60	-	58	-	-	-	54	-				
											-	-	50	49	48	47	-	45	-	43	-	41	-	-	-	37	36	35	-	-				
											-																		-	31	-	29	28	27
MX123 CONN ASSY 73 CKT BLU OPT0 KEY C/37	345663043	C-HSG-C0	G-CAP-0-P	TPA-C0	RS	LS	MAL	CPA	MSEAL	RSEAL	-	71	-	69	-	67	-	65	64	-	-	61	60	-	58	-	56	55	54	-				
											-	-	50	49	-	-	-	45	-	43	-	41	-	-	38	37	36	35	-	-				
											-																		-	31	-	29	28	-
MX123 CONN ASSY 73 CKT BLU OPT0 KEY C/38	345663053	C-HSG-C0	G-CAP-0-P	TPA-C0	RS	LS	MAL	CPA	MSEAL	RSEAL	-	71	-	69	-	67	-	65	64	-	-	61	60	-	58	-	56	55	54	-				
											-	-	50	49	-	-	-	45	-	43	-	41	-	-	37	36	35	-	-					
											-																		-	31	-	29	28	-

ASSEMBLY DESCRIPTION	ASSEMBLY PART NUMBER	CONNECTOR HOUSING	GROMMET CAP	TPA	RIGHT SLIDE	LEFT SLIDE	MATE ASSIST LEVER	CPA	MAT SEAL	RING SEAL	BLOCKED TERMINALS																		STATUS	COMMENTS	INTEGRAL COMPONENTS SOLD SEPARATELY
											CAVITY WITH A NUMBER INDICATES BLOCKED TERMINAL POSITION CAVITY WITHOUT A NUMBER INDICATES OPEN TERMINAL POSITION																				DRESS COVER
MX123 CONN ASSY 73 CKT BLU OPT0 KEY C/30	345663183	C-HSG-C0	G-CAP-0-P	TPA-C0	RS	LS	MAL	CPA	MSEAL	RSEAL	-	71	-	69	68	67	-	65	64	-	-	61	60	-	58	-	-	-	54	-	
											-	-	50	49	48	47	-	45	-	43	-	41	-	-	38	37	36	35	-	-	
															32	31	-	29	28	27	-	-	24	23	-	-	20	19	18	17	
											-	-	-	13	12	11	-	-	8	7	-	5	4	3	2	1					
MX123 CONN ASSY 73 CKT BLK OPT0 KEY A/31	345663193	C-HSG-A0	G-CAP-0-P	TPA-A0	RS	LS	MAL	CPA	MSEAL	RSEAL	72	71	70	-	68	67	66	65	64	-	62	61	60	59	-	57	-	-	-	-	
											-	-	50	-	48	47	46	45	-	-	-	-	40	39	38	37	-	-	-	-	
															-	31	30	29	-	27	-	25	24	23	22	21	20	-	-	-	
											-	-	15	14	13	-	11	-	9	8	7	6	5	4	-	-	-				
MX123 CONN ASSY 73 CKT GRY OPT0 KEY B/42	345663203	C-HSG-B0	G-CAP-0-P	TPA-B0	RS	LS	MAL	CPA	MSEAL	RSEAL	72	71	70	69	68	-	66	65	64	63	62	61	-	-	-	-	-	54	-		
											52	51	-	-	-	47	-	45	44	43	42	41	40	-	-	-	36	-	-	-	
															32	31	30	-	28	27	26	25	24	-	-	-	20	19	-	17	
											-	-	-	13	12	11	10	9	8	-	-	-	-	-	2	1					
MX123 CONN ASSY 73 CKT BLU OPT0 KEY C/31	345663213	C-HSG-C0	G-CAP-0-P	TPA-C0	RS	LS	MAL	CPA	MSEAL	RSEAL	-	71	-	69	68	-	-	65	64	-	-	61	60	-	58	57	-	55	54	-	
											-	-	50	49	48	47	-	45	-	43	-	41	-	39	38	37	36	35	-	-	
															-	31	-	29	28	27	-	-	24	23	-	-	20	19	18	17	
											16	-	-	13	12	11	-	-	8	7	-	-	-	3	2	1					
MX123 CONN ASSY 73 CKT BLU OPT0 KEY C/33	345663223	C-HSG-C0	G-CAP-0-P	TPA-C0	RS	LS	MAL	CPA	MSEAL	RSEAL	-	71	-	69	68	-	-	65	64	-	-	61	60	-	58	-	56	55	54	-	
											-	-	50	49	48	47	-	45	-	43	-	41	-	-	38	37	36	35	-	-	
															-	31	-	29	28	-	-	-	24	23	-	-	20	19	18	17	
											16	-	-	13	12	11	-	-	8	7	-	-	-	3	2	1					
MX123 CONN ASSY 73 CKT BLK OPT0 KEY A/36	345663233	C-HSG-A0	G-CAP-0-P	TPA-A0	RS	LS	MAL	CPA	MSEAL	RSEAL	72	71	-	-	68	67	66	65	64	-	-	-	60	59	-	-	-	-	-		
											-	-	50	-	48	47	46	45	-	-	-	-	40	39	38	-	-	35	-	33	
															-	31	30	-	-	-	-	25	24	23	22	21	20	-	-	17	
											-	-	14	-	-	-	9	8	7	6	5	4	-	2	1						
MX123 CONN ASSY 73 CKT BLU OPT0 KEY C/31	345663243	C-HSG-C0	G-CAP-0-P	TPA-C0	RS	LS	MAL	CPA	MSEAL	RSEAL	-	71	-	69	68	67	-	65	64	-	-	61	60	-	58	-	56	55	54	-	
											-	-	50	49	48	47	-	45	-	43	-	41	-	-	38	37	36	35	-	-	
															-	31	-	29	28	27	-	-	24	23	-	-	20	19	18	17	
											16	-	-	13	12	11	-	-	8	7	-	-	-	3	2	1					
MX123 CONN ASSY 73 CKT BLK OPT0 KEY A/28	345663253	C-HSG-A0	G-CAP-0-P	TPA-A0	RS	LS	MAL	CPA	MSEAL	RSEAL	72	71	-	-	68	67	66	65	64	-	62	61	60	59	-	57	-	-	-	-	
											-	-	50	-	48	47	46	45	-	-	-	-	40	39	38	37	-	35	-	33	
															-	31	30	29	-	27	-	25	24	23	22	21	20	-	-	17	
											-	-	14	13	-	11	-	9	8	7	6	5	4	-	2	1					
MX123 CONN ASSY 73 CKT BLU OPT0 KEY C/36	345663263	C-HSG-C0	G-CAP-0-P	TPA-C0	RS	LS	MAL	CPA	MSEAL	RSEAL	-	71	-	69	68	67	-	65	64	-	-	61	60	-	58	-	56	55	54	-	
											-	-	50	49	48	47	-	45	-	43	-	41	-	-	38	37	36	35	-	-	
															-	31	-	29	28	27	-	-	24	23	-	-	20	-	-	17	
											16	-	-	13	12	11	-	-	8	7	-	-	-	3	2	1					
MX123 CONN ASSY 73 CKT BLK OPT0 KEY A/31	345663273	C-HSG-A0	G-CAP-0-P	TPA-A0	RS	LS	MAL	CPA	MSEAL	RSEAL	72	71	-	-	68	67	66	65	64	-	62	61	60	59	-	57	-	-	-	-	
											-	-	50	-	48	47	46	45	-	-	-	-	40	39	38	37	-	35	-	33	
															-	31	30	29	-	27	-	25	24	23	22	21	20	-	-	17	
											-	-	14	13	-	11	-	9	8	7	6	5	4	-	-	-					
MX123 CONN ASSY 73 CKT BLU OPT0 KEY C/31	345663283	C-HSG-C0	G-CAP-0-P	TPA-C0	RS	LS	MAL	CPA	MSEAL	RSEAL	-	71	-	69	68	-	-	65	64	-	-	61	60	-	58	-	56	55	54	-	
											-	-	50	49	48	47	-	45	-	43	-	41	-	-	38	37	36	35	-	-	
															-	31	-	29	28	27	-	-	24	23	-	-	20	19	18	17	
											16	-	-	13	12	11	-	-	8	7	-	-	-	3	2	1					
MX123 CONN ASSY 73 CKT GRY OPT0 KEY B/49	345663293	C-HSG-B0	G-CAP-0-P	TPA-B0	RS	LS	MAL	CPA	MSEAL	RSEAL	-	-	-	69	-	-	-	65	64	63	-	-	-	-	-	-	-	-	-		
											-	-	-	49	-	-	46	45	44	43	-	-	-	-	-	-	-	-	-	-	
															-	-	-	-	-	-	-	-	-	-	22	21	20	19	18	17	
											-	-	-	-	12	11	-	-	-	7	6	5	4	3	2	1					

ASSEMBLY DESCRIPTION	ASSEMBLY PART NUMBER	CONNECTOR HOUSING	GROMMET CAP	TPA	RIGHT SLIDE	LEFT SLIDE	MATE ASSIST LEVER	CPA	MAT SEAL	RING SEAL	BLOCKED TERMINALS																		STATUS	COMMENTS	INTEGRAL COMPONENTS SOLD SEPARATELY
											CAVITY WITH A NUMBER INDICATES BLOCKED TERMINAL POSITION																				DRESS COVER
											CAVITY WITHOUT A NUMBER INDICATES OPEN TERMINAL POSITION																				
MX123 CONN ASSY 73 CKT GRY OPT0 KEY B/44	345663303	C-HSG-B0	G-CAP-0-P	TPA-B0	RS	LS	MAL	CPA	MSEAL	RSEAL	72	71	70	69	68	67	66	65	64	63	62	61	60	-	-	-	-	-	54	-	
											52	51	-	-	-	47	-	45	44	43	42	41	40	-	-	-	36	-	-	-	
															32	31	30	-	28	27	26	25	24	-	-	-	20	19	-	17	
MX123 CONN ASSY 73 CKT BLU OPT0 KEY C/28	345663313	C-HSG-C0	G-CAP-0-P	TPA-C0	RS	LS	MAL	CPA	MSEAL	RSEAL	-	71	-	69	68	67	66	65	64	-	-	61	60	-	58	-	56	55	54	-	
											-	-	50	49	48	47	-	45	-	43	-	41	-	-	38	37	36	35	-	-	
															-	31	-	29	28	27	-	-	24	23	-	-	20	19	18	17	
MX123 CONN ASSY 73 CKT GRY OPT0 KEY B/25	345663323	C-HSG-B0	G-CAP-0-P	TPA-B0	RS	LS	MAL	CPA	MSEAL	RSEAL	72	71	70	69	-	-	-	-	-	-	62	61	60	59	-	57	56	-	54	53	
											52	51	50	-	-	47	-	-	-	-	42	41	40	39	-	37	36	35	34	33	
															-	31	-	-	-	-	26	25	24	23	-	21	20	19	18	-	
MX123 CONN ASSY 73 CKT BLK OPT0 KEY A/49	345663333	C-HSG-A0	G-CAP-0-P	TPA-A0	RS	LS	MAL	CPA	MSEAL	RSEAL	-	-	-	-	-	67	66	-	-	-	62	-	60	-	-	-	55	-	53		
											-	-	-	-	48	-	46	45	44	43	-	-	40	39	-	-	-	35	-	-	
															-	-	-	-	-	-	25	-	-	22	21	-	-	-	-	-	
MX123 CONN ASSY 73 CKT BLK OPT0 KEY A/41	345663343	C-HSG-A0	G-CAP-0-P	TPA-A0	RS	LS	MAL	CPA	MSEAL	RSEAL	-	71	70	-	68	-	-	-	64	-	62	61	-	59	58	-	-	55	54	-	
											52	51	50	-	48	-	46	45	-	-	-	41	-	39	38	-	-	-	34	-	
															32	-	-	-	-	27	-	25	-	23	22	-	-	19	18	-	-
MX123 CONN ASSY 73 CKT GRY OPT0 KEY B/23	345663353	C-HSG-B0	G-CAP-0-P	TPA-B0	RS	LS	MAL	CPA	MSEAL	RSEAL	72	71	70	69	-	-	66	65	-	63	62	61	60	-	-	57	56	55	-	53	
											52	51	50	49	48	47	-	-	44	43	42	41	40	-	-	37	36	35	34	33	
															-	31	-	-	-	-	26	25	24	-	-	21	20	19	18	-	
MX123 CONN ASSY 73 CKT BLK OPT0 KEY A/45	345663363	C-HSG-A0	G-CAP-0-P	TPA-A0	RS	LS	MAL	CPA	MSEAL	RSEAL	72	-	70	-	-	67	66	-	-	-	62	-	60	-	58	-	-	55	-	53	
											-	51	-	-	48	-	46	45	44	43	-	-	-	-	-	-	-	35	-	-	
															-	-	-	-	-	-	25	-	-	-	21	-	-	-	17	-	-
MX123 CONN ASSY 73 CKT BLU OPT9 KEY C/41	345663373	C-HSG-C9	G-CAP-9-P	TPA-C9	RS	LS	MAL	CPA	MSEAL	RSEAL	-	71	-	69	-	-	-	65	64	-	-	61	60	-	58	-	-	54	-		
											-	-	50	49	-	-	-	45	-	43	-	41	-	-	-	37	36	35	-	-	
															-	31	-	29	28	27	-	-	24	23	-	-	20	-	-	17	-
MX123 CONN ASSY 73 CKT BLK OPT0 KEY A/44	345663383	C-HSG-A0	G-CAP-0-P	TPA-A0	RS	LS	MAL	CPA	MSEAL	RSEAL	72	71	-	-	-	67	66	-	-	-	62	-	60	-	-	-	55	-	53		
											-	51	-	-	-	-	46	45	44	43	-	-	40	39	-	-	-	35	-	-	
															-	-	-	-	-	-	25	-	-	22	21	-	-	-	17	-	-
MX123 CONN ASSY 73 CKT BLU OPT0 KEY C/35	345663393	C-HSG-C0	G-CAP-0-P	TPA-C0	RS	LS	MAL	CPA	MSEAL	RSEAL	-	71	-	69	-	-	-	65	64	-	-	61	60	-	58	-	56	55	54	-	
											-	-	50	49	-	-	-	45	-	43	-	41	-	-	38	37	36	35	-	-	
															-	31	-	29	28	27	-	-	24	23	-	-	20	19	18	17	-
MX123 CONN ASSY 73 CKT BLK OPT0 KEY A/6	345663403	C-HSG-A0	G-CAP-0-P	TPA-A0	RS	LS	MAL	CPA	MSEAL	RSEAL	-	-	-	-	-	-	-	65	-	-	-	61	-	-	-	-	-	-	-		
											-	-	-	-	-	-	-	45	-	-	-	-	-	-	-	-	-	-	-	-	
															-	-	-	-	-	-	26	-	-	-	-	-	-	-	-	-	-
MX123 CONN ASSY 73 CKT BLK OPT0 KEY A/45	345663413	C-HSG-A0	G-CAP-0-P	TPA-A0	RS	LS	MAL	CPA	MSEAL	RSEAL	-	71	-	69	68	-	-	-	64	63	62	-	60	59	-	-	56	-	-	53	
											52	51	-	-	48	-	46	-	-	-	-	-	40	-	38	-	36	-	34	33	
															-	31	-	29	28	-	-	-	-	23	22	-	-	-	-	-	-

ASSEMBLY DESCRIPTION	ASSEMBLY PART NUMBER	CONNECTOR HOUSING	GROMMET CAP	TPA	RIGHT SLIDE	LEFT SLIDE	MATE ASSIST LEVER	CPA	MAT SEAL	RING SEAL	BLOCKED TERMINALS																		STATUS	COMMENTS	INTEGRAL COMPONENTS SOLD SEPARATELY		
											CAVITY WITH A NUMBER INDICATES BLOCKED TERMINAL POSITION CAVITY WITHOUT A NUMBER INDICATES OPEN TERMINAL POSITION																				DRESS COVER		
MX123 CONN ASSY 73 CKT BLU OPT9 KEY C/31	345663423	C-HSG-C9	G-CAP-9-P	TPA-C9	RS	LS	MAL	CPA	MSEAL	RSEAL	72	71	70	-	68	67	66	65	64	-	62	61	60	59	-	57	-	-	-	-			
											-	-	50	-	48	47	46	45	-	-	-	-	40	39	38	37	-	-	-	-	-		
											-	-	-	-	-	31	30	29	-	27	-	25	24	23	22	21	20	-	-	-	-	-	
MX123 CONN ASSY 73 CKT BLU OPT9 KEY C/30	345663433	C-HSG-C9	G-CAP-9-P	TPA-C9	RS	LS	MAL	CPA	MSEAL	RSEAL	-	71	-	69	68	67	-	65	64	-	-	61	60	-	58	-	-	-	54	-			
											-	-	50	49	48	47	-	45	-	43	-	41	-	-	38	37	36	35	-	-	-	-	
											-	-	-	-	32	31	-	29	28	27	-	-	24	23	-	-	20	19	18	17	-	-	-
MX123 CONN ASSY 73 CKT BLK OPT0 KEY A/36	345663443	C-HSG-A0	G-CAP-0-P	TPA-A0	RS	LS	MAL	CPA	MSEAL	RSEAL	72	-	70	-	68	67	66	-	-	-	62	61	-	59	58	-	-	-	-	-			
											-	-	50	-	48	47	46	-	-	-	-	-	40	39	38	-	-	-	-	-	-	-	-
											-	-	-	-	-	31	-	29	-	27	-	25	24	-	22	21	20	-	-	-	-	17	-
MX123 CONN ASSY 73 CKT BLK OPT0 KEY A/6	345663453	C-HSG-A0	G-CAP-0-P	TPA-A0	RS	LS	MAL	CPA	MSEAL	RSEAL	72	71	70	69	68	67	66	65	64	63	62	-	60	59	58	57	56	55	54	53			
											52	51	50	49	48	47	46	45	44	43	42	41	40	39	38	37	36	35	34	33	-	-	-
											-	-	-	-	32	31	30	29	28	27	26	25	24	23	22	21	-	19	18	17	-	-	-
MX123 CONN ASSY 73 CKT GRY OPT9 KEY B/54	345663473	C-HSG-B9	G-CAP-9-P	TPA-B9	RS	LS	MAL	CPA	MSEAL	RSEAL	-	-	-	-	-	-	-	-	-	63	-	-	-	-	-	-	-	-	53				
											-	-	-	-	48	47	-	45	-	43	42	41	-	39	-	-	-	35	34	33	-	-	-
											-	-	-	-	-	-	-	-	-	11	-	-	8	-	-	-	-	-	-	-	-	-	-
MX123 CONN ASSY 73 CKT GRY OPT0 KEY B/51	345663483	C-HSG-B0	G-CAP-0-P	TPA-B0	RS	LS	MAL	CPA	MSEAL	RSEAL	-	-	-	-	-	-	-	64	63	62	-	-	59	58	-	-	-	-	53				
											-	-	-	-	-	47	-	45	-	43	42	41	-	39	-	-	-	35	34	33	-	-	-
											-	-	-	-	-	-	-	-	-	-	26	25	-	23	22	-	-	-	-	-	-	-	-
MX123 CONN ASSY 73 CKT BLK OPT0 KEY A/44	345663493	C-HSG-A0	G-CAP-0-P	TPA-A0	RS	LS	MAL	CPA	MSEAL	RSEAL	-	71	-	69	68	-	-	-	64	63	62	-	60	59	-	-	56	-	-	53			
											52	51	50	-	48	-	46	-	-	-	-	-	40	-	38	-	36	-	34	33	-	-	-
											-	-	-	-	-	31	-	29	28	-	-	-	-	23	22	-	-	-	-	-	-	-	-
MX123 CONN ASSY 73 CKT BLK OPT0 KEY A/32	345663503	C-HSG-A0	G-CAP-0-P	TPA-A0	RS	LS	MAL	CPA	MSEAL	RSEAL	-	-	70	-	-	-	-	65	-	-	-	61	-	-	58	57	56	55	54	53			
											-	51	50	-	-	47	-	45	-	-	-	41	-	-	38	37	36	-	34	-	-	-	-
											-	-	-	-	-	31	30	-	28	-	26	25	-	-	22	21	20	19	18	-	-	-	-
MX123 CONN ASSY 73 CKT BLK OPT0 KEY A/37	345663513	C-HSG-A0	G-CAP-0-P	TPA-A0	RS	LS	MAL	CPA	MSEAL	RSEAL	72	71	-	-	68	67	66	65	64	-	-	-	-	59	-	-	-	-	-				
											-	-	50	-	48	47	46	45	-	-	-	-	40	39	38	-	-	35	-	33	-	-	-
											-	-	-	-	-	31	30	-	-	-	-	25	24	23	22	21	20	-	-	-	-	17	-
MX123 CONN ASSY 73 CKT BLK OPT0 KEY A/31	345663523	C-HSG-A0	G-CAP-0-P	TPA-A0	RS	LS	MAL	CPA	MSEAL	RSEAL	-	71	-	69	68	67	-	65	64	-	-	61	60	59	58	57	-	-	-	53			
											-	51	50	-	48	47	46	45	44	-	-	41	40	39	38	37	-	-	-	-	33	-	-
											-	-	-	-	32	-	30	29	-	27	-	25	24	23	22	-	-	-	-	-	-	-	-
MX123 CONN ASSY 73 CKT BLK OPT9 KEY A/31	345663533	C-HSG-A9	G-CAP-9-P	TPA-A9	RS	LS	MAL	CPA	MSEAL	RSEAL	72	71	70	-	68	67	66	65	64	-	62	61	60	59	-	57	-	-	-	-			
											-	-	50	-	48	47	46	45	-	-	-	-	40	39	38	37	-	-	-	-	-	-	-
											-	-	-	-	-	31	30	29	-	27	-	25	24	23	22	21	20	-	-	-	-	-	-
MX123 CONN ASSY 73 CKT BLK OPT9 KEY A/30	345663543	C-HSG-A9	G-CAP-9-P	TPA-A9	RS	LS	MAL	CPA	MSEAL	RSEAL	-	71	-	69	68	67	-	65	64	-	-	61	60	-	58	-	-	-	54	-			
											-	-	50	49	48	47	-	45	-	43	-	41	-	-	38	37	36	35	-	-	-	-	-
											-	-	-	-	32	31	-	29	28	27	-	-	24	23	-	-	20	19	18	17	-	-	-

ASSEMBLY DESCRIPTION	ASSEMBLY PART NUMBER	CONNECTOR HOUSING	GROMMET CAP	TPA	RIGHT SLIDE	LEFT SLIDE	MATE ASSIST LEVER	CPA	MAT SEAL	RING SEAL	BLOCKED TERMINALS																		STATUS	COMMENTS	INTEGRAL COMPONENTS SOLD SEPARATELY			
											CAVITY WITH A NUMBER INDICATES BLOCKED TERMINAL POSITION																				DRESS COVER			
											CAVITY WITHOUT A NUMBER INDICATES OPEN TERMINAL POSITION																							
MX123 CONN ASSY 73 CKT BLK OPT0 KEY A/32	345663803	C-HSG-A0	G-CAP-0-P	TPA-A0	RS	LS	MAL	CPA	MSEAL	RSEAL	-	-	70	-	-	-	-	65	-	-	-	61	60	-	58	57	-	55	54	-	SALEABLE		345650003	
											52	51	-	49	-	47	-	45	-	-	-	41	40	-	38	37	-	-	34	-				
											-																		16	15				-
MX123 CONN ASSY 73 CKT BLU OPT0 KEY C/42	345663813	C-HSG-C0	G-CAP-0-P	TPA-C0	RS	LS	MAL	CPA	MSEAL	RSEAL	-	71	-	69	-	67	-	65	64	-	-	61	60	-	58	-	56	55	54	-	SALEABLE		345650003	
											-	-	50	49	-	-	-	45	-	43	-	41	-	-	-	-	-	35	-	-				
											-																		16	-				-
MX123 CONN ASSY 73 CKT BLK OPT0 KEY A/30	345663823	C-HSG-A0	G-CAP-0-P	TPA-A0	RS	LS	MAL	CPA	MSEAL	RSEAL	72	71	-	-	68	67	66	65	64	-	62	-	60	59	-	-	-	-	-	SALEABLE		345650003		
											-	-	50	-	48	47	46	45	-	-	42	-	40	39	38	-	-	35	-				33	
											-																		-				31	30
MX123 CONN ASSY 73 CKT BLK OPT0 KEY A/37	345663833	C-HSG-A0	G-CAP-0-P	TPA-A0	RS	LS	MAL	CPA	MSEAL	RSEAL	72	71	-	-	68	67	66	65	64	-	-	-	60	59	58	-	-	-	-	SALEABLE		345650003		
											-	-	50	-	48	47	46	45	-	-	-	-	40	39	38	-	-	35	-				33	
											-																		-				31	30
MX123 CONN ASSY 73 CKT BLK OPT0 KEY A/51	345663843	C-HSG-A0	G-CAP-0-P	TPA-A0	RS	LS	MAL	CPA	MSEAL	RSEAL	-	-	-	-	-	-	-	65	-	-	-	61	-	-	58	57	56	-	-	-	SALEABLE		345650003	
											-	51	50	-	-	47	46	45	-	-	-	-	-	-	38	37	36	-	-	-				
											-																		-	31				30
MX123 CONN ASSY 73 CKT BLK OPT0 KEY A/53	345663853	C-HSG-A0	G-CAP-0-P	TPA-A0	RS	LS	MAL	CPA	MSEAL	RSEAL	-	-	-	-	-	-	-	-	-	-	-	61	-	-	58	57	56	-	-	-	SALEABLE		345650003	
											-	51	50	-	-	47	46	-	-	-	-	-	-	-	38	37	36	-	-	-				
											-																		-	31				30
MX123 CONN ASSY 73 CKT GRY OPT0 KEY B/51	345663863	C-HSG-B0	G-CAP-0-P	TPA-B0	RS	LS	MAL	CPA	MSEAL	RSEAL	-	-	-	69	-	-	-	65	64	63	-	-	-	-	-	-	-	-	-	SALEABLE		345650003		
											-	-	-	49	-	-	-	45	44	43	-	-	-	-	-	-	-	-	-				-	
											-																		-				-	-
MX123 CONN ASSY 73 CKT GRY OPT0 KEY B/34	345663873	C-HSG-B0	G-CAP-0-P	TPA-B0	RS	LS	MAL	CPA	MSEAL	RSEAL	72	71	70	69	68	67	66	65	64	-	62	61	60	-	-	-	-	54	53	SALEABLE		345650003		
											52	51	-	-	-	47	-	-	44	-	42	41	40	-	-	-	-	-	-				33	
											-																		32				31	30
MX123 CONN ASSY 73 CKT GRY OPT0 KEY B/35	345663883	C-HSG-B0	G-CAP-0-P	TPA-B0	RS	LS	MAL	CPA	MSEAL	RSEAL	72	71	70	69	68	-	-	65	64	63	62	61	60	-	-	-	-	54	-	SALEABLE		345650003		
											52	51	-	-	-	47	46	-	44	43	42	41	40	-	-	-	-	-	-					
											-																		32				31	30
MX123 CONN ASSY 73 CKT BLU OPT0 KEY C/34	345663893	C-HSG-C0	G-CAP-0-P	TPA-C0	RS	LS	MAL	CPA	MSEAL	RSEAL	-	71	-	69	-	-	-	65	64	-	-	61	60	-	58	-	56	55	54	-	SALEABLE		345650003	
											-	-	50	49	-	-	-	45	-	43	-	41	40	39	38	37	36	35	-	-				
											-																		16	-				-
MX123 CONN ASSY 73 CKT GRY OPT0 KEY B/54	345663903	C-HSG-B0	G-CAP-0-P	TPA-B0	RS	LS	MAL	CPA	MSEAL	RSEAL	72	71	70	69	68	67	66	-	64	63	62	61	60	-	58	-	56	-	54	-	SALEABLE		345650003	
											52	51	50	-	-	47	-	45	-	43	42	41	40	-	38	-	36	-	34	-				
											-																		16	15				14
MX123 CONN ASSY 73 CKT BLK OPT0 KEY A/39	345663913	C-HSG-A0	G-CAP-0-P	TPA-A0	RS	LS	MAL	CPA	MSEAL	RSEAL	72	-	-	-	68	67	66	65	-	-	62	61	-	59	-	-	-	-	-	SALEABLE		345650003		
											-	-	50	-	48	47	46	-	-	-	-	-	40	39	38	-	-	35	-				33	
											-																		-				31	-

ASSEMBLY DESCRIPTION	ASSEMBLY PART NUMBER	CONNECTOR HOUSING	GROMMET CAP	TPA	RIGHT SLIDE	LEFT SLIDE	MATE ASSIST LEVER	CPA	MAT SEAL	RING SEAL	BLOCKED TERMINALS																		STATUS	COMMENTS	INTEGRAL COMPONENTS SOLD SEPARATELY		
											CAVITY WITH A NUMBER INDICATES BLOCKED TERMINAL POSITION																				DRESS COVER		
											CAVITY WITHOUT A NUMBER INDICATES OPEN TERMINAL POSITION																						
MX123 CONN ASSY 73 CKT GRY OPT0 KEY B/36	345663923	C-HSG-B0	G-CAP-0-P	TPA-B0	RS	LS	MAL	CPA	MSEAL	RSEAL	-	71	-	69	-	67	-	65	64	63	62	61	-	-	58	57	56	-	-	-			
											-	51	-	49	-	47	-	45	44	43	42	41	-	-	38	37	36	-	-	-			
																													22	21	20	-	-
MX123 CONN ASSY 73 CKT BLK OPT0 KEY A/35	345663933	C-HSG-A0	G-CAP-0-P	TPA-A0	RS	LS	MAL	CPA	MSEAL	RSEAL	72	-	-	-	68	67	66	65	-	-	62	61	-	59	-	-	-	-	-				
											-	-	50	-	48	47	46	-	-	-	-	-	40	39	38	-	-	35	-	33			
																													-	31	-	29	-
MX123 CONN ASSY 73 CKT BLU OPT0 KEY C/32	345663943	C-HSG-C0	G-CAP-0-P	TPA-C0	RS	LS	MAL	CPA	MSEAL	RSEAL	-	71	-	69	-	67	-	65	64	63	62	61	-	-	58	57	56	-	-	-			
											-	51	-	49	-	47	-	45	44	43	42	41	-	-	38	37	36	-	-	-			
																													-	-	-	-	-
MX123 CONN ASSY 73 CKT BLU OPT0 KEY C/35	345663953	C-HSG-C0	G-CAP-0-P	TPA-C0	RS	LS	MAL	CPA	MSEAL	RSEAL	-	71	-	69	-	67	66	65	64	-	-	61	60	-	58	-	56	55	54	-			
											-	-	50	49	-	-	-	45	-	43	-	41	-	-	38	37	36	35	-	-			
																													-	31	-	29	28
MX123 CONN ASSY 73 CKT BLU OPT0 KEY C/36	345663963	C-HSG-C0	G-CAP-0-P	TPA-C0	RS	LS	MAL	CPA	MSEAL	RSEAL	-	71	-	69	-	-	-	65	64	-	-	61	60	-	58	-	56	55	54	-			
											-	-	50	49	-	-	-	45	-	43	-	41	-	-	37	36	35	-	-	-			
																													-	31	-	29	28
MX123 CONN ASSY 73 CKT BLU OPT0 KEY C/33	345663973	C-HSG-C0	G-CAP-0-P	TPA-C0	RS	LS	MAL	CPA	MSEAL	RSEAL	-	71	-	69	-	-	66	65	64	-	-	61	60	-	58	-	56	55	54	-			
											-	-	50	49	-	-	-	45	-	43	-	41	-	-	37	36	35	-	-	-			
																													-	31	-	29	28
MX123 CONN ASSY 73 CKT BLU OPT0 KEY C/38	345663983	C-HSG-C0	G-CAP-0-P	TPA-C0	RS	LS	MAL	CPA	MSEAL	RSEAL	-	71	-	69	-	-	-	65	64	-	-	61	60	-	58	-	56	55	54	-			
											-	-	50	49	-	-	-	45	-	43	-	41	-	-	37	36	35	-	-	-			
																													-	31	-	29	28
MX123 CONN ASSY 73 CKT BLK OPT0 KEY A/38	345663983	C-HSG-A0	G-CAP-0-P	TPA-A0	RS	LS	MAL	CPA	MSEAL	RSEAL	-	-	-	-	68	67	66	65	-	-	62	61	-	-	-	-	-	-	-				
											-	-	50	-	48	47	46	-	-	-	-	-	39	38	-	-	35	-	33				
																													-	31	-	29	-
MX123 CONN ASSY 73 CKT BLK OPT0 KEY A/38	345663993	C-HSG-A0	G-CAP-0-P	TPA-A0	RS	LS	MAL	CPA	MSEAL	RSEAL	72	71	-	-	68	67	66	65	64	-	-	-	-	59	-	-	-	-	-				
											-	-	50	-	48	47	46	45	-	-	-	-	39	38	-	-	35	-	33				
																													-	31	30	-	-
MX123 CONN ASSY 73 CKT GRY OPT0 KEY B/44	345664003	C-HSG-B0	G-CAP-0-P	TPA-B0	RS	LS	MAL	CPA	MSEAL	RSEAL	72	71	70	69	68	-	-	65	-	-	62	61	60	-	58	-	56	-	54	-			
											52	51	-	-	-	47	46	45	44	-	42	41	40	-	38	-	36	-	34	-			
																													-	31	30	-	28
MX123 CONN ASSY 73 CKT GRY OPT0 KEY B/34	345664013	C-HSG-B0	G-CAP-0-P	TPA-B0	RS	LS	MAL	CPA	MSEAL	RSEAL	-	71	-	69	-	67	-	65	64	63	62	61	-	-	58	57	56	-	-	-			
											-	51	-	49	-	47	-	45	44	43	42	41	-	-	38	37	36	-	-	-			
																													-	-	-	-	-
MX123 CONN ASSY 73 CKT GRY OPT0 KEY B/49	345664023	C-HSG-B0	G-CAP-0-P	TPA-B0	RS	LS	MAL	CPA	MSEAL	RSEAL	-	-	-	69	-	-	-	65	64	63	-	-	-	-	-	-	-	-	-				
											-	-	-	49	-	-	-	45	44	43	-	-	-	-	-	-	-	-	-	-			
																													-	-	-	-	-
MX123 CONN ASSY 73 CKT BLU OPT0 KEY C/36	345664033	C-HSG-C0	G-CAP-0-P	TPA-C0	RS	LS	MAL	CPA	MSEAL	RSEAL	-	71	-	69	-	67	66	65	64	-	-	61	60	-	-	-	56	55	54	-			
											-	-	50	49	-	-	46	45	-	43	-	41	-	-	37	36	35	-	-	-			
																													-	31	-	29	28

ASSEMBLY DESCRIPTION	ASSEMBLY PART NUMBER	CONNECTOR HOUSING	GROMMET CAP	TPA	RIGHT SLIDE	LEFT SLIDE	MATE ASSIST LEVER	CPA	MAT SEAL	RING SEAL	BLOCKED TERMINALS																STATUS	COMMENTS	INTEGRAL COMPONENTS SOLD SEPARATELY		
											CAVITY WITH A NUMBER INDICATES BLOCKED TERMINAL POSITION																		DRESS COVER		
											CAVITY WITHOUT A NUMBER INDICATES OPEN TERMINAL POSITION																				
MX123 CONN ASSY 73 CKT BLK OPT0 KEY A/36	345664043	C-HSG-A0	G-CAP-0-P	TPA-A0	RS	LS	MAL	CPA	MSEAL	RSEAL	72	-	-	-	68	-	66	65	-	-	62	61	-	59	58	-	-	-	-	-	-
											-	-	50	-	48	47	46	-	-	-	-	-	40	39	38	-	-	35	-	33	
																											-	31	-	29	-
MX123 CONN ASSY 73 CKT BLK OPT0 KEY A/43	345664053	C-HSG-A0	G-CAP-0-P	TPA-A0	RS	LS	MAL	CPA	MSEAL	RSEAL	-	71	70	-	68	-	-	-	64	-	62	61	-	59	58	-	-	55	54	-	
											52	51	50	-	48	-	-	45	-	-	-	41	-	39	38	-	-	-	34	-	
																											32	-	-	-	-
MX123 CONN ASSY 73 CKT GRY OPT0 KEY B/24	345664063	C-HSG-B0	G-CAP-0-P	TPA-B0	RS	LS	MAL	CPA	MSEAL	RSEAL	72	71	70	69	-	-	66	65	-	63	62	61	60	-	-	57	56	55	-	53	
											52	51	50	49	48	47	-	-	44	43	42	41	40	-	-	37	36	35	34	33	
																											-	31	-	-	-
MX123 CONN ASSY 73 CKT BLK OPT0 KEY A/36	345664073	C-HSG-A0	G-CAP-0-P	TPA-A0	RS	LS	MAL	CPA	MSEAL	RSEAL	-	71	-	69	68	67	-	65	64	-	-	61	60	-	58	-	-	-	54	-	
											-	-	50	49	48	47	-	45	-	43	-	41	-	-	38	-	-	35	-	-	
																											-	31	-	29	28
MX123 CONN ASSY 73 CKT BLU OPT0 KEY C/42	345664083	C-HSG-C0	G-CAP-0-P	TPA-C0	RS	LS	MAL	CPA	MSEAL	RSEAL	-	71	-	69	-	67	66	65	64	-	-	61	60	-	-	-	56	55	54	-	
											-	-	50	49	-	-	46	45	-	43	-	41	-	-	-	-	35	-	-		
																											-	31	-	29	28
MX123 CONN ASSY 73 CKT GRY OPT0 KEY B/19	345664113	C-HSG-B0	G-CAP-0-P	TPA-B0	RS	LS	MAL	CPA	MSEAL	RSEAL	72	71	70	69	-	-	66	65	-	63	62	61	60	59	-	57	56	55	54	53	
											52	51	50	49	48	47	-	-	44	43	42	41	40	39	-	37	36	35	34	33	
																											-	31	-	-	-
MX123 CONN ASSY 73 CKT BLK OPT9 KEY A/42	345664123	C-HSG-A9	G-CAP-9-P	TPA-A9	RS	LS	MAL	CPA	MSEAL	RSEAL	-	71	70	-	68	-	-	-	64	-	62	61	-	59	58	-	-	55	54	-	
											52	51	50	-	48	-	-	45	-	-	-	41	-	39	38	-	-	-	34	-	
																											32	-	-	-	27
MX123 CONN ASSY 73 CKT GRY OPT9 KEY B/25	345664133	C-HSG-B9	G-CAP-9-P	TPA-B9	RS	LS	MAL	CPA	MSEAL	RSEAL	72	71	70	69	-	-	66	65	-	63	62	61	60	-	-	57	56	55	-	53	
											52	51	50	49	48	47	-	-	44	43	42	41	40	-	-	37	36	35	34	33	
																											-	31	-	-	-
MX123 CONN ASSY 73 CKT GRY OPT0 KEY B/22	345664143	C-HSG-B0	G-CAP-0-P	TPA-B0	RS	LS	MAL	CPA	MSEAL	RSEAL	72	71	70	69	-	-	66	65	-	63	62	61	60	-	-	57	56	55	-	53	
											52	51	50	49	48	47	-	-	44	43	42	41	40	-	-	37	36	35	34	33	
																											-	31	-	-	-
MX123 CONN ASSY 73 CKT GRY OPT0 KEY B/37	345664153	C-HSG-B0	G-CAP-0-P	TPA-B0	RS	LS	MAL	CPA	MSEAL	RSEAL	-	71	-	69	-	67	-	65	64	63	62	61	-	-	58	57	56	-	-		
											-	51	-	49	-	47	-	45	-	43	42	41	-	-	38	37	36	-	-		
																											-	-	-	-	-
											-	15	14	13	12	11	-	-	-	-	-	-	-	6	5	4	3	2	1		

ASSEMBLY DESCRIPTION	ASSEMBLY PART NUMBER	CONNECTOR HOUSING	GROMMET CAP	TPA	RIGHT SLIDE	LEFT SLIDE	MATE ASSIST LEVER	CPA	MAT SEAL	RING SEAL	BLOCKED TERMINALS																		STATUS	COMMENTS	INTEGRAL COMPONENTS SOLD SEPARATELY		
											CAVITY WITH A NUMBER INDICATES BLOCKED TERMINAL POSITION																				DRESS COVER		
											CAVITY WITHOUT A NUMBER INDICATES OPEN TERMINAL POSITION																						
MX123 CONN ASSY 73 CKT GRY OPT0 KEY B/35	345664163	C-HSG-B0	G-CAP-0-P	TPA-B0	RS	LS	MAL	CPA	MSEAL	RSEAL	-	71	-	69	-	67	-	65	64	63	62	61	-	-	58	57	56	-	-	-			
											-	51	-	49	-	47	-	45	44	43	42	41	-	-	38	37	36	-	-	-			
																													23	22	21	20	19
MX123 CONN ASSY 73 CKT BLK OPT0 KEY A/42	345664173	C-HSG-A0	G-CAP-0-P	TPA-A0	RS	LS	MAL	CPA	MSEAL	RSEAL	-	-	-	-	68	67	66	65	-	-	62	61	-	-	-	57	-	-	-				
											-	-	50	-	48	-	46	-	-	-	-	-	40	39	-	37	-	35	-	33			
																													-	31	-	29	-
MX123 CONN ASSY 73 CKT BLU OPT0 KEY C/41	345664183	C-HSG-C0	G-CAP-0-P	TPA-C0	RS	LS	MAL	CPA	MSEAL	RSEAL	-	71	-	69	-	67	-	65	64	-	-	61	60	-	-	-	56	55	54	-			
											-	-	50	49	-	-	-	45	-	43	-	41	-	-	38	37	36	35	-	-			
																													-	31	-	29	28
MX123 CONN ASSY 73 CKT BLU OPT0 KEY C/38	345664193	C-HSG-C0	G-CAP-0-P	TPA-C0	RS	LS	MAL	CPA	MSEAL	RSEAL	72	-	70	-	68	67	66	-	-	63	62	-	-	59	-	57	-	-	-	53			
											52	51	-	-	48	47	46	-	44	-	42	-	40	39	-	-	-	-	34	33			
																													32	-	30	-	-
MX123 CONN ASSY 73 CKT GRY OPT0 KEY B/48	345664203	C-HSG-B0	G-CAP-0-P	TPA-B0	RS	LS	MAL	CPA	MSEAL	RSEAL	72	71	70	69	68	67	66	65	-	63	62	61	60	-	58	-	56	-	54	-			
											52	51	-	-	-	47	-	45	44	43	42	41	40	-	38	-	36	-	34	-			
																													-	31	30	-	28
MX123 CONN ASSY 73 CKT BLK OPT0 KEY A/36	345664213	C-HSG-A0	G-CAP-0-P	TPA-A0	RS	LS	MAL	CPA	MSEAL	RSEAL	-	-	70	69	-	-	-	-	-	63	62	61	-	-	-	57	56	55	54	53			
											52	51	-	49	-	-	-	-	44	43	42	41	-	-	-	37	36	-	34	33			
																													32	-	-	29	28
MX123 CONN ASSY 73 CKT BLK OPT0 KEY A/38	345664223	C-HSG-A0	G-CAP-0-P	TPA-A0	RS	LS	MAL	CPA	MSEAL	RSEAL	-	-	70	69	-	-	-	-	-	63	62	61	-	-	58	57	56	55	54	53			
											52	51	-	49	-	-	-	-	44	43	42	41	-	-	-	37	36	-	34	-			
																													32	-	-	29	28
MX123 CONN ASSY 73 CKT GRY OPT0 KEY B/23	345664233	C-HSG-B0	G-CAP-0-P	TPA-B0	RS	LS	MAL	CPA	MSEAL	RSEAL	72	71	70	-	68	67	66	-	-	-	62	61	60	59	58	57	56	55	54	53			
											52	51	50	-	48	47	46	-	-	-	42	41	40	39	38	37	36	35	34	33			
																													32	31	30	29	28
MX123 CONN ASSY 73 CKT BLK OPT0 KEY A/21	345664243	C-HSG-A0	G-CAP-0-P	TPA-A0	RS	LS	MAL	CPA	MSEAL	RSEAL	72	71	70	69	68	67	66	65	64	63	62	-	60	59	-	-	-	55	54	53			
											52	-	-	49	48	-	-	45	44	43	42	41	40	39	-	-	-	35	34	33			
																													32	-	-	29	28
MX123 CONN ASSY 73 CKT BLK OPT0 KEY A/23	345664253	C-HSG-A0	G-CAP-0-P	TPA-A0	RS	LS	MAL	CPA	MSEAL	RSEAL	72	71	70	69	68	67	66	-	64	63	62	-	60	59	-	-	-	55	54	53			
											52	-	-	49	48	-	-	-	44	43	42	41	40	39	-	-	-	35	34	33			
																													32	-	-	29	28
MX123 CONN ASSY 73 CKT GRY OPT0 KEY B/36	345664263	C-HSG-B0	G-CAP-0-P	TPA-B0	RS	LS	MAL	CPA	MSEAL	RSEAL	-	-	-	-	-	67	66	-	-	63	-	-	-	59	58	57	56	55	-	53			
											-	-	50	49	48	-	-	45	-	43	-	-	-	39	38	37	36	35	34	33			
																													-	-	-	29	-
MX123 CONN ASSY 73 CKT GRY OPT0 KEY B/40	345664273	C-HSG-B0	G-CAP-0-P	TPA-B0	RS	LS	MAL	CPA	MSEAL	RSEAL	-	-	-	-	-	-	-	-	-	63	-	-	-	59	58	57	56	55	-	53			
											-	-	50	49	48	-	46	-	-	43	-	-	-	39	38	37	36	35	34	33			
																													-	-	-	29	-

ASSEMBLY DESCRIPTION	ASSEMBLY PART NUMBER	CONNECTOR HOUSING	GROMMET CAP	TPA	RIGHT SLIDE	LEFT SLIDE	MATE ASSIST LEVER	CPA	MAT SEAL	RING SEAL	BLOCKED TERMINALS																		STATUS	COMMENTS	INTEGRAL COMPONENTS SOLD SEPARATELY
											CAVITY WITH A NUMBER INDICATES BLOCKED TERMINAL POSITION																				DRESS COVER
											CAVITY WITHOUT A NUMBER INDICATES OPEN TERMINAL POSITION																				
MX123 CONN ASSY 73 CKT BLU OPT9 KEY C/42	345664423	C-HSG-C9	G-CAP-9-P	TPA-C9	RS	LS	MAL	CPA	MSEAL	RSEAL	-	71	-	69	-	-	-	65	64	-	-	61	60	-	58	-	56	55	54	-	
											-	-	50	49	-	-	-	45	-	43	-	41	-	-	-	-	-	35	-	-	
															-	31	-	29	28	-	-	-	-	23	-	-	20	19	18	17	
											-	16	-	-	13	12	11	-	-	-	7	-	-	-	3	-	1				
MX123 CONN ASSY 73 CKT BLK OPT9 KEY A/40	345664433	C-HSG-A9	G-CAP-9-P	TPA-A9	RS	LS	MAL	CPA	MSEAL	RSEAL	72	71	-	-	68	67	66	65	64	-	-	-	-	59	-	-	-	-	-		
											-	-	-	-	48	47	46	45	-	-	-	-	-	39	38	-	-	35	-	33	
															-	31	30	-	-	-	-	25	24	23	22	21	20	-	-	17	
											-	-	-	-	-	-	-	-	9	8	7	6	5	4	-	2	1				
MX123 CONN ASSY 73 CKT BLK OPT9 KEY A/32	345664443	C-HSG-A9	G-CAP-9-P	TPA-A9	RS	LS	MAL	CPA	MSEAL	RSEAL	72	71	70	69	68	-	-	65	64	63	62	61	60	59	58	57	56	55	54	53	
											52	51	50	49	-	-	46	45	44	43	42	-	40	39	38	37	36	35	34	33	
															-	-	-	-	28	-	-	-	24	23	-	-	20	-	-		
											-	-	-	-	12	-	-	-	-	-	-	-	-	-	-	2	-				
MX123 CONN ASSY 73 CKT BLK OPT0 KEY A/45	345664453	C-HSG-A0	G-CAP-0-P	TPA-A0	RS	LS	MAL	CPA	MSEAL	RSEAL	-	-	-	-	-	67	66	-	-	-	-	-	-	-	-	-	-	-			
											-	-	-	-	-	47	-	-	-	-	41	-	-	-	-	-	-	-	-		
															32	31	30	29	-	27	26	25	-	-	22	21	-	19	18	17	
											-	16	15	14	13	-	-	10	9	8	7	6	5	4	3	-	-				
MX123 CONN ASSY 73 CKT GRY OPT9 KEY B/18	345664463	C-HSG-B9	G-CAP-9-P	TPA-B9	RS	LS	MAL	CPA	MSEAL	RSEAL	72	71	70	69	68	67	66	65	64	-	62	61	60	59	58	57	56	55	54	-	
											52	51	50	49	-	-	46	-	44	-	-	41	40	-	38	37	36	-	-	-	
															32	31	30	29	28	27	-	25	24	-	-	21	20	-	18	17	
											-	16	15	14	13	12	-	10	9	8	7	6	5	4	3	2	-				
MX123 CONN ASSY 73 CKT GRY OPT0 KEY B/21	345664473	C-HSG-B0	G-CAP-0-P	TPA-B0	RS	LS	MAL	CPA	MSEAL	RSEAL	72	71	70	69	68	67	66	65	-	-	-	61	60	-	-	57	56	55	54	-	
											52	51	50	49	48	-	46	-	44	-	-	41	40	-	38	37	36	-	-	-	
															32	31	30	29	28	27	-	-	24	-	-	21	20	19	18	17	
											-	16	15	14	13	12	11	10	9	8	7	6	5	4	-	2	-				
MX123 CONN ASSY 73 CKT BLU OPT9 KEY C/54	345664483	C-HSG-C9	G-CAP-9-P	TPA-C9	RS	LS	MAL	CPA	MSEAL	RSEAL	-	71	-	69	-	-	-	65	64	-	-	61	60	-	-	-	-	-	54	-	
											-	-	50	-	-	-	-	45	-	43	42	41	-	-	-	-	-	35	-	-	
															-	31	-	29	28	-	-	-	-	-	-	-	-	-	-	-	
											-	16	-	-	-	12	11	-	-	-	-	-	-	-	-	-	-				
MX123 CONN ASSY 73 CKT BLK OPT9 KEY A/58	345664493	C-HSG-A9	G-CAP-9-P	TPA-A9	RS	LS	MAL	CPA	MSEAL	RSEAL	-	-	-	-	68	-	66	65	-	-	-	-	-	-	-	-	-	-			
											-	-	-	-	-	46	-	-	-	-	-	-	38	-	-	35	-	33			
															-	31	-	-	-	-	-	25	-	-	22	-	20	-	-		
											-	-	-	-	-	-	-	9	-	7	6	-	4	-	-	-					
MX123 CONN ASSY 73 CKT GRY OPT9 KEY B/56	345664513	C-HSG-B9	G-CAP-9-P	TPA-B9	RS	LS	MAL	CPA	MSEAL	RSEAL	-	-	-	69	-	-	-	65	64	63	-	-	-	-	-	-	-	-			
											-	-	-	49	-	-	-	45	44	43	-	-	-	-	-	-	-	-	-		
															-	-	-	-	-	-	-	-	-	22	21	20	-	-	-		
											-	-	-	-	12	11	-	9	-	-	6	5	4	-	-	-					
MX123 CONN ASSY 73 CKT BLK OPT0 KEY A/38	345664533	C-HSG-A0	G-CAP-0-P	TPA-A0	RS	LS	MAL	CPA	MSEAL	RSEAL	-	71	70	-	68	-	66	-	64	-	62	61	-	59	58	-	-	55	54	-	
											52	51	50	-	48	-	46	45	-	-	42	41	-	39	38	-	-	-	34	-	
															32	-	-	-	-	27	26	25	-	23	22	-	-	19	18	-	
											-	-	-	-	12	-	-	9	8	7	6	-	-	-	-	-					
MX123 CONN ASSY 73 CKT GRY OPT0 KEY B/27	345664543	C-HSG-B0	G-CAP-0-P	TPA-B0	RS	LS	MAL	CPA	MSEAL	RSEAL	72	71	70	69	-	-	66	65	-	-	62	61	60	59	-	-	56	-	54	-	
											52	51	50	49	48	47	-	-	44	-	42	41	40	39	-	-	36	-	34	33	
															-	31	-	-	-	-	26	25	24	23	-	-	20	-	18	-	
											-	16	15	14	13	-	11	-	9	8	7	6	5	4	3	2	-				
MX123 CONN ASSY 73 CKT GRY OPT0 KEY B/23	345664553	C-HSG-B0	G-CAP-0-P	TPA-B0	RS	LS	MAL	CPA	MSEAL	RSEAL	72	71	70	69	-	-	66	65	-	-	62	61	60	59	-	-	56	55	54	-	
											52	51	50	49	48	47	-	-	44	-	42	41	40	39	-	-	36	35	34	33	
															-	31	-	-	-	-	26	25	24	23	-	-	20	19	18	-	
											-	16	15	14	13	-	11	-	9	8	7	6	5	4	3	2	1				

ASSEMBLY DESCRIPTION	ASSEMBLY PART NUMBER	CONNECTOR HOUSING	GROMMET CAP	TPA	RIGHT SLIDE	LEFT SLIDE	MATE ASSIST LEVER	CPA	MAT SEAL	RING SEAL	BLOCKED TERMINALS																		STATUS	COMMENTS	INTEGRAL COMPONENTS SOLD SEPARATELY
											CAVITY WITH A NUMBER INDICATES BLOCKED TERMINAL POSITION																				DRESS COVER
											CAVITY WITHOUT A NUMBER INDICATES OPEN TERMINAL POSITION																				
MX123 CONN ASSY 73 CKT GRY OPT0 KEY B/24	345664563	C-HSG-B0	G-CAP-0-P	TPA-B0	RS	LS	MAL	CPA	MSEAL	RSEAL	72	71	70	69	-	-	66	65	-	-	62	61	60	59	-	57	56	-	54	-	
											52	51	50	49	48	47	-	-	44	-	42	41	40	39	-	37	36	-	34	33	
											-																				
MX123 CONN ASSY 73 CKT GRY OPT0 KEY B/20	345664573	C-HSG-B0	G-CAP-0-P	TPA-B0	RS	LS	MAL	CPA	MSEAL	RSEAL	72	71	70	69	-	-	66	65	-	-	62	61	60	59	-	57	56	55	54	-	
											52	51	50	49	48	47	-	-	44	-	42	41	40	39	-	37	36	35	34	33	
											-																				
MX123 CONN ASSY 73 CKT GRY OPT0 KEY B/19	345664583	C-HSG-B0	G-CAP-0-P	TPA-B0	RS	LS	MAL	CPA	MSEAL	RSEAL	72	71	70	69	-	-	66	65	-	63	62	61	60	59	-	57	56	55	54	-	
											52	51	50	49	48	47	-	-	44	43	42	41	40	39	-	37	36	35	34	33	
											-																				
MX123 CONN ASSY 73 CKT GRY OPT0 KEY B/18	345664593	C-HSG-B0	G-CAP-0-P	TPA-B0	RS	LS	MAL	CPA	MSEAL	RSEAL	72	71	70	69	-	-	66	65	-	63	62	61	60	59	-	57	56	55	54	-	
											52	51	50	49	48	47	-	-	44	43	42	41	40	39	-	37	36	35	34	33	
											-																				
MX123 CONN ASSY 73 CKT BLK OPT0 KEY A/42	345664613	C-HSG-A0	G-CAP-0-P	TPA-A0	RS	LS	MAL	CPA	MSEAL	RSEAL	-	71	70	-	68	-	-	-	64	-	62	61	-	59	58	-	-	55	54	-	
											52	51	50	-	48	-	46	45	-	-	-	41	-	39	38	-	-	-	34	-	
											-																				
MX123 CONN ASSY 73 CKT GRY OPT0 KEY B/36	345664623	C-HSG-B0	G-CAP-0-P	TPA-B0	RS	LS	MAL	CPA	MSEAL	RSEAL	-	71	-	69	-	67	-	65	64	63	62	61	-	-	58	57	56	-	-	-	
											-	51	-	49	-	47	-	45	44	43	42	41	-	-	38	37	36	-	-	-	
											-																				
MX123 CONN ASSY 73 CKT BLK OPT0 KEY A/39	345664633	C-HSG-A0	G-CAP-0-P	TPA-A0	RS	LS	MAL	CPA	MSEAL	RSEAL	72	-	-	-	68	67	66	65	-	-	62	61	-	-	-	57	-	-	-	-	
											-	-	50	-	48	-	46	-	-	-	-	-	40	39	-	37	-	35	-	33	
											-																				
MX123 CONN ASSY 73 CKT GRY OPT0 KEY B/38	345664643	C-HSG-B0	G-CAP-0-P	TPA-B0	RS	LS	MAL	CPA	MSEAL	RSEAL	-	71	-	69	-	67	-	65	64	63	62	61	-	-	58	57	56	-	-	-	
											-	51	-	49	-	47	-	45	44	43	42	41	-	-	38	37	36	-	-	-	
											-																				
MX123 CONN ASSY 73 CKT BLK OPT0 KEY A/37	345664653	C-HSG-A0	G-CAP-0-P	TPA-A0	RS	LS	MAL	CPA	MSEAL	RSEAL	72	-	-	-	68	-	66	65	-	-	62	61	-	-	58	57	-	-	-	-	
											-	-	50	-	48	-	46	-	-	-	-	-	40	39	-	37	-	35	-	33	
											-																				
MX123 CONN ASSY 73 CKT BLK OPT0 KEY A/36	345664663	C-HSG-A0	G-CAP-0-P	TPA-A0	RS	LS	MAL	CPA	MSEAL	RSEAL	72	-	-	-	68	67	66	65	-	-	62	61	-	-	-	57	-	-	-	-	
											-	-	50	-	48	-	46	-	-	-	-	-	40	39	-	37	-	35	-	33	
											-																				
MX123 CONN ASSY 73 CKT BLK OPT0 KEY A/29	345664673	C-HSG-A0	G-CAP-0-P	TPA-A0	RS	LS	MAL	CPA	MSEAL	RSEAL	72	71	70	69	68	-	-	65	64	63	62	61	60	59	58	57	56	55	54	53	
											52	51	50	49	48	-	46	45	44	43	42	-	40	39	38	37	36	35	34	33	
											-																				
MX123 CONN ASSY 73 CKT GRY OPT9 KEY B/56	345664683	C-HSG-B9	G-CAP-9-P	TPA-B9	RS	LS	MAL	CPA	MSEAL	RSEAL	-	-	-	-	-	-	-	-	-	63	-	-	-	-	-	-	-	-	53		
											-	-	-	-	48	47	-	45	-	43	42	-	-	39	-	-	-	35	34	33	
											-																				

ASSEMBLY DESCRIPTION	ASSEMBLY PART NUMBER	CONNECTOR HOUSING	GROMMET CAP	TPA	RIGHT SLIDE	LEFT SLIDE	MATE ASSIST LEVER	CPA	MAT SEAL	RING SEAL	BLOCKED TERMINALS																				STATUS	COMMENTS	INTEGRAL COMPONENTS SOLD SEPARATELY			
											CAVITY WITH A NUMBER INDICATES BLOCKED TERMINAL POSITION																						DRESS COVER			
											CAVITY WITHOUT A NUMBER INDICATES OPEN TERMINAL POSITION																									
MX123 CONN ASSY 73 CKT GRY OPT0 KEY B/53	345664693	C-HSG-B0	G-CAP-0-P	TPA-B0	RS	LS	MAL	CPA	MSEAL	RSEAL	-	-	-	-	-	-	-	-	-	-	64	63	62	-	-	59	58	-	-	-	-	-	53	SALEABLE		345650003
											-	-	-	-	-	47	-	45	-	43	42	-	-	39	-	-	-	35	34	33						
											-	-	-	-	-	-	-	-	-	-	-	26	25	-	23	22	-	-	-	-	-					
											-	-	-	-	-	-	-	-	-	-	-	-	-	-	-	-	-	-	3	-	1					
MX123 CONN ASSY 73 CKT GRY OPT0 KEY B/48	345664703	C-HSG-B0	G-CAP-0-P	TPA-B0	RS	LS	MAL	CPA	MSEAL	RSEAL	72	71	70	69	68	-	-	-	-	-	63	62	61	60	-	-	-	56	-	54	-	SALEABLE		345650003		
											52	51	50	-	-	-	46	45	-	43	42	41	40	-	-	-	36	-	34	-						
											-	-	-	-	32	31	30	-	28	27	26	25	24	-	-	-	20	19	18	17						
											-	-	-	-	16	15	14	13	-	11	10	-	8	-	6	5	4	3	2	1						
MX123 CONN ASSY 73 CKT BLK OPT0 KEY A/37	345664713	C-HSG-A0	G-CAP-0-P	TPA-A0	RS	LS	MAL	CPA	MSEAL	RSEAL	-	-	-	-	68	-	66	65	-	-	62	61	-	-	58	57	-	-	-	-	SALEABLE		345650003			
											-	-	50	-	48	-	46	-	-	-	-	-	40	39	38	37	-	35	-	33						
											-	-	-	-	-	31	-	29	-	27	-	25	24	-	22	21	20	-	-	17						
											-	-	-	-	-	-	14	13	-	11	-	9	8	7	6	5	4	-	2	1						
MX123 CONN ASSY 73 CKT BLK OPT0 KEY A/36	345664723	C-HSG-A0	G-CAP-0-P	TPA-A0	RS	LS	MAL	CPA	MSEAL	RSEAL	-	-	-	-	68	67	66	65	-	-	62	61	-	-	-	57	-	-	-	-	SALEABLE		345650003			
											-	-	50	-	48	-	46	-	-	-	-	-	40	39	38	37	-	35	-	33						
											-	-	-	-	-	31	-	29	-	27	-	25	24	23	22	21	20	-	-	17						
											-	-	-	-	-	-	14	13	-	11	-	9	8	7	6	5	4	-	2	1						
MX123 CONN ASSY 73 CKT BLK OPT0 KEY A/39	345664733	C-HSG-A0	G-CAP-0-P	TPA-A0	RS	LS	MAL	CPA	MSEAL	RSEAL	-	-	-	-	68	67	66	65	-	-	62	61	-	-	-	57	-	-	-	-	SALEABLE		345650003			
											-	-	50	-	48	-	46	-	-	-	-	-	40	39	38	37	-	35	-	33						
											-	-	-	-	-	31	-	29	-	27	-	25	24	23	22	-	20	-	-	17						
											-	-	-	-	-	-	14	13	-	11	-	9	-	7	6	-	4	-	2	1						
MX123 CONN ASSY 73 CKT BLK OPT9 KEY A/59	345664743	C-HSG-A9	G-CAP-9-P	TPA-A9	RS	LS	MAL	CPA	MSEAL	RSEAL	-	-	-	-	68	-	66	-	-	-	-	-	-	-	-	-	-	-	-	-	SALEABLE		345650003			
											-	-	-	-	-	-	46	-	-	-	-	-	-	-	38	-	-	35	-	33						
											-	-	-	-	-	31	-	-	-	-	-	25	-	-	22	-	20	-	-	-						
											-	-	-	-	-	-	-	-	-	-	-	9	-	7	6	-	4	-	-	-						
MX123 CONN ASSY 73 CKT GRY OPT0 KEY B/20	345664753	C-HSG-B0	G-CAP-0-P	TPA-B0	RS	LS	MAL	CPA	MSEAL	RSEAL	72	71	70	69	-	-	66	65	-	63	62	61	60	59	-	57	56	55	54	53	SALEABLE		345650003			
											52	51	50	49	48	47	-	-	44	43	42	41	40	39	-	37	36	35	34	33						
											-	-	-	-	-	31	-	-	-	-	-	26	25	24	23	-	21	20	19	18	-					
											-	-	-	-	16	-	14	-	12	11	-	9	8	7	-	5	4	3	2	-						
MX123 CONN ASSY 73 CKT GRY OPT0 KEY B/16	345664763	C-HSG-B0	G-CAP-0-P	TPA-B0	RS	LS	MAL	CPA	MSEAL	RSEAL	72	71	70	69	-	-	66	65	-	63	62	61	60	59	58	57	56	55	54	53	SALEABLE		345650003			
											52	51	50	49	48	47	-	-	44	43	42	41	40	39	38	37	36	35	34	33						
											-	-	-	-	-	31	-	-	-	-	-	26	25	24	23	22	21	20	19	18	-					
											-	-	-	-	16	-	14	-	12	11	-	9	8	7	-	5	4	3	2	1						
MX123 CONN ASSY 73 CKT GRY OPT0 KEY B/25	345664773	C-HSG-B0	G-CAP-0-P	TPA-B0	RS	LS	MAL	CPA	MSEAL	RSEAL	72	71	70	69	-	-	66	65	-	63	62	61	60	-	-	57	56	55	-	53	SALEABLE		345650003			
											52	51	50	49	48	47	-	-	44	43	42	41	40	-	-	37	36	35	34	33						
											-	-	-	-	-	31	-	-	-	-	-	26	25	24	-	-	21	20	19	18	-					
											-	-	-	-	16	-	14	-	12	11	-	9	-	7	-	5	4	3	2	-						
MX123 CONN ASSY 73 CKT GRY OPT0 KEY B/25	345664783	C-HSG-B0	G-CAP-0-P	TPA-B0	RS	LS	MAL	CPA	MSEAL	RSEAL	72	71	70	69	-	-	66	65	-	-	62	61	60	59	-	57	56	-	54	53	SALEABLE		345650003			
											52	51	50	49	48	47	-	-	44	-	42	41	40	39	-	37	36	-	34	33						
											-	-	-	-	-	31	-	-	-	-	-	26	25	24	23	-	21	20	-	18	-					
											-	-	-	-	16	-	14	-	12	11	-	9	8	7	-	5	4	3	2	-						
MX123 CONN ASSY 73 CKT GRY OPT0 KEY B/21	345664793	C-HSG-B0	G-CAP-0-P	TPA-B0	RS	LS	MAL	CPA	MSEAL	RSEAL	72	71	70	69	-	-	66	65	-	-	62	61	60	59	-	57	56	55	54	53	SALEABLE		345650003			
											52	51	50	49	48	47	-	-	44	-	42	41	40	39	-	37	36	35	34	33						
											-	-	-	-	-	31	-	-	-	-	-	26	25	24	23	-	21	20	19	18	-					
											-	-	-	-	16	-	14	-	12	11	-	9	8	7	-	5	4	3	2	1						
MX123 CONN ASSY 73 CKT BLK OPT0 KEY A/38	345664803	C-HSG-A0	G-CAP-0-P	TPA-A0	RS	LS	MAL	CPA	MSEAL	RSEAL	-	-	70	-	-	-	-	65	-	-	-	-	60	-	58	57	56	55	54	-	SALEABLE		345650003			
											52	51	50	49	-	47	46	45	-	43	-	-	40	-	38	37	36	-	34	-						
											-	-	-	-	-	31	30	-	28	-	26	-	24	-	22	21	20	19	18	-						
											-	-	-	-	16	15	14	-	-	-	10	-	-	7	6	-	-	-	-	-						

ASSEMBLY DESCRIPTION	ASSEMBLY PART NUMBER	CONNECTOR HOUSING	GROMMET CAP	TPA	RIGHT SLIDE	LEFT SLIDE	MATE ASSIST LEVER	CPA	MAT SEAL	RING SEAL	BLOCKED TERMINALS																		STATUS	COMMENTS	INTEGRAL COMPONENTS SOLD SEPARATELY						
											CAVITY WITH A NUMBER INDICATES BLOCKED TERMINAL POSITION CAVITY WITHOUT A NUMBER INDICATES OPEN TERMINAL POSITION																				DRESS COVER						
MX123 CONN ASSY 73 CKT GRY OPT9 KEY B/26	345664813	C-HSG-B9	G-CAP-9-P	TPA-B9	RS	LS	MAL	CPA	MSEAL	RSEAL	72	71	70	69	-	-	66	65	-	63	62	61	60	-	-	57	56	55	-	53							
											52	51	50	49	48	47	-	-	44	43	42	41	40	-	-	37	36	35	34	33							
																						-	31	-	-	-	26	25	24	-	-	21	20	19	18	-	
																						16	-	14	-	12	11	-	-	-	7	-	5	4	3	2	-
MX123 CONN ASSY 73 CKT BLU OPT0 KEY C/46	345664823	C-HSG-C0	G-CAP-0-P	TPA-C0	RS	LS	MAL	CPA	MSEAL	RSEAL	72	71	70	69	-	-	-	-	-	63	62	61	60	-	-	-	56	-	-	-							
											52	-	-	-	-	47	-	-	44	-	-	-	-	-	-	36	-	34	-								
																						-	-	-	29	28	27	-	25	-	-	-	21	-	19	18	17
																						-	15	14	-	12	11	-	-	-	-	-	-	-	-	-	-
MX123 CONN ASSY 73 CKT BLU OPT0 KEY C/41	345664833	C-HSG-C0	G-CAP-0-P	TPA-C0	RS	LS	MAL	CPA	MSEAL	RSEAL	-	71	-	69	-	-	-	65	64	-	-	61	60	-	58	-	56	55	54	-							
											-	-	50	49	-	-	-	45	-	43	-	41	-	-	38	-	-	35	-	-							
																						-	31	-	29	28	-	-	-	-	23	-	-	20	19	18	17
																						16	-	-	13	12	11	-	-	-	7	-	-	-	3	-	1
MX123 CONN ASSY 73 CKT BLU OPT0 KEY C/42	345664843	C-HSG-C0	G-CAP-0-P	TPA-C0	RS	LS	MAL	CPA	MSEAL	RSEAL	-	71	-	69	-	-	-	65	64	-	-	61	60	-	58	-	56	55	54	-							
											-	-	50	49	-	-	-	45	-	43	-	41	-	-	-	-	35	-	-								
																						-	31	-	29	28	-	-	-	-	23	-	-	20	19	18	17
																						16	-	-	13	12	11	-	-	-	7	-	-	-	3	-	1
MX123 CONN ASSY 73 CKT BLU OPT0 KEY C/45	345664853	C-HSG-C0	G-CAP-0-P	TPA-C0	RS	LS	MAL	CPA	MSEAL	RSEAL	-	71	-	69	-	67	-	65	64	-	-	61	60	-	58	-	-	-	54	-							
											-	-	50	49	-	-	-	45	-	43	-	41	-	-	38	-	-	35	-	-							
																						-	31	-	29	28	-	-	-	-	23	-	-	20	-	-	17
																						16	-	-	13	12	11	-	-	-	7	-	-	-	-	-	1
MX123 CONN ASSY 73 CKT BLU OPT0 KEY C/41	345664863	C-HSG-C0	G-CAP-0-P	TPA-C0	RS	LS	MAL	CPA	MSEAL	RSEAL	-	71	-	69	-	67	-	65	64	-	-	61	60	-	58	-	56	55	54	-							
											-	-	50	49	-	-	-	45	-	43	-	41	-	-	-	-	35	-	-								
																						-	31	-	29	28	-	-	-	-	23	-	-	20	19	18	17
																						16	-	-	13	12	11	-	-	-	7	-	-	-	3	-	1
MX123 CONN ASSY 73 CKT BLU OPT0 KEY C/40	345664873	C-HSG-C0	G-CAP-0-P	TPA-C0	RS	LS	MAL	CPA	MSEAL	RSEAL	-	71	-	69	-	67	-	65	64	-	-	61	60	-	58	-	56	55	54	-							
											-	-	50	49	-	-	-	45	-	43	-	41	-	-	38	-	-	35	-	-							
																						-	31	-	29	28	-	-	-	-	23	-	-	20	19	18	17
																						16	-	-	13	12	11	-	-	-	7	-	-	-	3	-	1
MX123 CONN ASSY 73 CKT BLK OPT9 KEY A/39	345664883	C-HSG-A9	G-CAP-9-P	TPA-A9	RS	LS	MAL	CPA	MSEAL	RSEAL	-	71	70	-	68	-	66	-	64	-	62	61	-	59	58	-	-	55	54	-							
											52	51	50	-	48	-	-	45	-	-	42	41	-	39	38	-	-	-	34	-							
																						32	-	-	-	-	27	26	25	-	23	22	-	-	19	18	-
																						-	-	-	-	12	-	-	9	8	7	6	-	-	-	-	-
MX123 CONN ASSY 73 CKT GRY OPT9 KEY B/24	345664893	C-HSG-B9	G-CAP-9-P	TPA-B9	RS	LS	MAL	CPA	MSEAL	RSEAL	72	71	70	69	-	-	66	65	-	-	62	61	60	59	-	-	56	-	54	53							
											52	51	50	49	48	47	-	-	44	-	42	41	40	39	-	37	36	-	34	33							
																						-	31	-	-	-	26	25	24	23	-	21	20	-	18	-	
																						16	-	14	-	12	11	-	9	8	7	6	5	4	3	2	-
MX123 CONN ASSY 73 CKT BLK OPT0 KEY A/21	345664903	C-HSG-A0	G-CAP-0-P	TPA-A0	RS	LS	MAL	CPA	MSEAL	RSEAL	-	-	-	-	-	67	-	-	-	-	-	60	-	-	-	-	-	54	53								
											-	-	-	-	48	-	46	45	-	-	42	-	40	39	-	-	-	-	-	-							
																						-	-	-	-	-	26	25	-	-	22	21	-	-	-	-	
																						-	-	-	-	-	-	-	8	7	6	5	4	3	-	-	
MX123 CONN ASSY 73 CKT GRY OPT9 KEY B/27	345664913	C-HSG-B9	G-CAP-9-P	TPA-B9	RS	LS	MAL	CPA	MSEAL	RSEAL	72	71	70	69	-	-	66	65	-	-	62	61	60	59	-	-	56	-	54	-							
											52	51	50	49	48	47	-	-	44	-	42	41	40	39	-	37	36	-	34	33							
																						-	31	-	-	-	26	25	24	23	-	21	20	-	18	-	
																						16	15	14	13	-	11	-	9	8	7	6	5	4	3	2	-
MX123 CONN ASSY 73 CKT BLK OPT9 KEY A/38	345664923	C-HSG-A9	G-CAP-9-P	TPA-A9	RS	LS	MAL	CPA	MSEAL	RSEAL	-	71	70	-	68	-	66	-	64	-	62	61	-	59	58	-	-	55	54	-							
											52	51	50	-	48	-	46	45	-	-	42	41	-	39	38	-	-	-	34	-							
																						32	-	-	-	-	27	26	25	-	23	22	-	-	19	18	-
																						-	-	-	-	12	-	-	9	8	7	6	-	-	-	-	-

ASSEMBLY DESCRIPTION	ASSEMBLY PART NUMBER	CONNECTOR HOUSING	GROMMET CAP	TPA	RIGHT SLIDE	LEFT SLIDE	MATE ASSIST LEVER	CPA	MAT SEAL	RING SEAL	BLOCKED TERMINALS																		STATUS	COMMENTS	INTEGRAL COMPONENTS SOLD SEPARATELY		
											CAVITY WITH A NUMBER INDICATES BLOCKED TERMINAL POSITION																				DRESS COVER		
											CAVITY WITHOUT A NUMBER INDICATES OPEN TERMINAL POSITION																						
MX123 CONN ASSY 73 CKT BLU OPT0 KEY C/47	345665313	C-HSG-C0	G-CAP-0-P	TPA-C0	RS	LS	MAL	CPA	MSEAL	RSEAL	-	71	-	69	-	-	-	65	64	-	-	61	60	-	58	-	-	-	54	-			
											-	-	50	49	-	-	-	45	-	43	-	41	-	-	-	-	-	35	-	-			
											-																		16	-	-	13	12
MX123 CONN ASSY 73 CKT BLK OPT0 KEY A/35	345665333	C-HSG-A0	G-CAP-0-P	TPA-A0	RS	LS	MAL	CPA	MSEAL	RSEAL	-	-	-	69	-	-	-	-	-	-	-	61	-	-	58	57	-	55	54	-			
											52	-	50	-	-	-	-	-	-	-	42	-	-	39	38	37	36	35	34	33			
											-																		32	31	-	-	-
MX123 CONN ASSY 73 CKT GRY OPT0 KEY B/24	345665343	C-HSG-B0	G-CAP-0-P	TPA-B0	RS	LS	MAL	CPA	MSEAL	RSEAL	72	71	70	69	-	-	66	65	-	63	62	61	60	-	-	57	56	55	-	53			
											52	51	50	49	48	47	-	-	44	43	42	41	40	-	-	37	36	35	34	33			
											-																		-	31	-	-	-
MX123 CONN ASSY 73 CKT GRY OPT9 KEY B/32	345665353	C-HSG-B9	G-CAP-9-P	TPA-B9	RS	LS	MAL	CPA	MSEAL	RSEAL	72	71	70	69	-	-	66	65	-	63	62	61	60	-	-	57	56	-	-	53			
											52	51	50	49	48	47	-	-	-	-	42	41	40	-	-	37	36	-	-	33			
											-																		-	31	-	-	-
MX123 CONN ASSY 73 CKT BLU OPT0 KEY C/35	345665363	C-HSG-C0	G-CAP-0-P	TPA-C0	RS	LS	MAL	CPA	MSEAL	RSEAL	-	71	-	69	-	67	-	65	64	-	-	61	60	-	58	-	56	55	54	-			
											-	-	50	49	-	-	-	45	-	43	-	41	-	-	-	37	36	35	-	-			
											-																		-	31	-	29	28
MX123 CONN ASSY 73 CKT BLU OPT0 KEY C/32	345665373	C-HSG-C0	G-CAP-0-P	TPA-C0	RS	LS	MAL	CPA	MSEAL	RSEAL	-	71	-	69	-	67	-	65	64	-	-	61	60	-	58	-	56	55	54	-			
											-	-	50	49	-	-	-	45	-	43	-	41	-	-	38	37	36	35	-	-			
											-																		-	31	-	29	28
MX123 CONN ASSY 73 CKT BLU OPT0 KEY C/39	345665383	C-HSG-C0	G-CAP-0-P	TPA-C0	RS	LS	MAL	CPA	MSEAL	RSEAL	-	71	-	69	-	67	-	65	64	-	-	61	60	-	58	-	56	55	54	-			
											-	-	50	49	-	-	-	45	-	43	-	41	-	-	38	-	-	35	-	-			
											-																		-	31	-	29	28
MX123 CONN ASSY 73 CKT BLK OPT0 KEY A/30	345665393	C-HSG-A0	G-CAP-0-P	TPA-A0	RS	LS	MAL	CPA	MSEAL	RSEAL	72	71	-	-	68	67	66	65	64	-	62	61	60	59	58	57	-	-	-	-			
											-	-	50	-	48	47	46	45	-	-	-	-	40	39	38	37	-	35	-	33			
											-																		-	31	30	29	-
MX123 CONN ASSY 73 CKT GRY OPT0 KEY B/42	345665403	C-HSG-B0	G-CAP-0-P	TPA-B0	RS	LS	MAL	CPA	MSEAL	RSEAL	72	71	70	69	68	67	66	-	64	63	62	61	60	-	-	-	-	54	-				
											52	51	-	-	-	47	-	-	44	43	42	41	40	-	-	-	36	-	-	-			
											-																		32	31	30	-	28
MX123 CONN ASSY 73 CKT BLK OPT0 KEY A/31	345665413	C-HSG-A0	G-CAP-0-P	TPA-A0	RS	LS	MAL	CPA	MSEAL	RSEAL	72	71	-	-	68	67	66	65	64	-	62	61	60	59	58	57	-	-	-	-			
											-	-	50	-	48	47	46	45	-	-	-	-	40	39	38	37	-	35	-	33			
											-																		-	31	30	29	-
MX123 CONN ASSY 73 CKT BLK OPT0 KEY A/27	345665423	C-HSG-A0	G-CAP-0-P	TPA-A0	RS	LS	MAL	CPA	MSEAL	RSEAL	72	71	-	-	68	67	66	65	64	-	62	61	60	59	-	57	-	-	-	-			
											-	-	50	-	48	47	46	45	-	-	-	-	40	39	38	37	-	35	-	33			
											-																		-	31	30	29	-
MX123 CONN ASSY 73 CKT GRY OPT9 KEY B/22	345665433	C-HSG-B9	G-CAP-9-P	TPA-B9	RS	LS	MAL	CPA	MSEAL	RSEAL	72	71	70	69	-	-	66	65	-	63	62	61	60	-	-	57	56	55	-	53			
											52	51	50	49	48	47	-	-	44	43	42	41	40	-	-	37	36	35	34	33			
											-																		-	31	-	-	-

ASSEMBLY DESCRIPTION	ASSEMBLY PART NUMBER	CONNECTOR HOUSING	GROMMET CAP	TPA	RIGHT SLIDE	LEFT SLIDE	MATE ASSIST LEVER	CPA	MAT SEAL	RING SEAL	BLOCKED TERMINALS																				STATUS	COMMENTS	INTEGRAL COMPONENTS SOLD SEPARATELY
											CAVITY WITH A NUMBER INDICATES BLOCKED TERMINAL POSITION																						DRESS COVER
											CAVITY WITHOUT A NUMBER INDICATES OPEN TERMINAL POSITION																						
MX123 CONN ASSY 73 CKT GRY OPT9 KEY B/24	345665443	C-HSG-B9	G-CAP-9-P	TPA-B9	RS	LS	MAL	CPA	MSEAL	RSEAL	72	71	70	69	-	-	66	65	-	63	62	61	60	-	-	57	56	55	-	53			
											52	51	50	49	48	47	-	-	44	43	42	41	40	-	-	37	36	35	34	33			
															-	31	-	-	-	-	26	25	24	-	-	21	20	19	18	-			
															16	-	14	-	12	11	-	9	8	7	-	5	4	3	2	-			
MX123 CONN ASSY 73 CKT GRY OPT0 KEY B/24	345665453	C-HSG-B0	G-CAP-0-P	TPA-B0	RS	LS	MAL	CPA	MSEAL	RSEAL	72	71	70	69	-	-	66	65	-	63	62	61	60	-	-	57	56	55	-	53			
											52	51	50	49	48	47	-	-	44	43	42	41	40	-	-	37	36	35	34	33			
															-	31	-	-	-	-	26	25	24	-	-	21	20	19	18	-			
															16	-	14	-	12	11	-	9	8	7	-	5	4	3	2	-			
MX123 CONN ASSY 73 CKT BLK OPT0 KEY A/21	345665463	C-HSG-A0	G-CAP-0-P	TPA-A0	RS	LS	MAL	CPA	MSEAL	RSEAL	-	71	-	69	68	67	66	65	64	-	62	61	60	59	58	57	56	55	54	53			
											-	51	50	-	48	47	46	45	44	43	42	-	40	39	38	37	36	35	34	33			
															32	-	-	29	-	-	-	25	24	-	22	21	-	-	18	17			
															-	-	-	13	-	11	-	9	8	7	-	5	4	3	2	1			
MX123 CONN ASSY 73 CKT BLK OPT0 KEY A/45	345665473	C-HSG-A0	G-CAP-0-P	TPA-A0	RS	LS	MAL	CPA	MSEAL	RSEAL	-	-	-	69	-	-	-	-	-	-	-	61	-	-	58	57	-	55	54	-			
											-	-	50	49	-	-	-	-	-	-	-	-	-	39	38	37	36	35	34	33			
															32	-	-	-	-	-	-	-	-	22	21	-	-	18	-				
															-	-	-	13	-	-	-	9	8	7	-	5	4	3	2	1			
MX123 CONN ASSY 73 CKT GRY OPT0 KEY B/39	345665483	C-HSG-B0	G-CAP-0-P	TPA-B0	RS	LS	MAL	CPA	MSEAL	RSEAL	-	71	-	69	-	67	-	65	-	-	62	61	-	-	58	57	56	-	-	-			
											-	51	-	49	-	47	-	45	44	43	42	41	-	-	38	37	36	-	-	-			
															-	-	-	-	-	-	-	-	-	23	22	21	-	19	18	-			
															-	15	14	13	12	11	-	9	-	7	6	-	-	3	-	-			
MX123 CONN ASSY 73 CKT BLK OPT0 KEY A/37	345665493	C-HSG-A0	G-CAP-0-P	TPA-A0	RS	LS	MAL	CPA	MSEAL	RSEAL	-	71	-	-	68	67	66	65	64	-	62	61	-	-	-	-	-	-	-				
											-	-	50	-	48	47	46	45	-	-	-	-	39	38	-	-	35	-	33				
															-	31	30	29	-	27	-	25	24	23	22	21	20	-	-	-			
															-	-	14	13	-	11	-	9	8	7	6	5	4	-	-	-			
MX123 CONN ASSY 73 CKT BLK OPT0 KEY A/30	345665503	C-HSG-A0	G-CAP-0-P	TPA-A0	RS	LS	MAL	CPA	MSEAL	RSEAL	-	-	70	-	-	-	-	65	-	-	-	61	-	-	58	57	56	55	54	53			
											-	51	50	-	-	47	-	45	-	-	-	41	-	-	38	37	36	-	34	-			
															-	31	30	-	28	-	-	25	-	-	22	21	20	19	18	-			
															16	15	-	-	-	-	-	-	-	-	-	-	-	-	-	-	-		
MX123 CONN ASSY 73 CKT GRY OPT9 KEY B/22	345665513	C-HSG-B9	G-CAP-9-P	TPA-B9	RS	LS	MAL	CPA	MSEAL	RSEAL	72	71	70	69	-	-	66	65	-	63	62	61	60	59	-	57	56	-	54	53			
											52	51	50	49	48	47	-	-	44	43	42	41	40	39	-	37	36	-	34	33			
															-	31	-	-	-	-	26	25	24	23	-	21	20	-	18	-			
															16	15	14	13	12	11	-	9	8	7	6	5	4	3	2	-			
MX123 CONN ASSY 73 CKT BLK OPT9 KEY A/42	345665523	C-HSG-A9	G-CAP-9-P	TPA-A9	RS	LS	MAL	CPA	MSEAL	RSEAL	-	71	70	-	68	-	-	-	64	-	62	61	-	59	58	-	-	55	54	-			
											52	51	50	-	48	-	46	45	-	-	-	41	-	39	38	-	-	-	34	-			
															32	-	-	-	-	-	25	-	23	22	-	-	19	18	-				
															-	-	-	-	12	-	-	9	8	7	6	-	-	-	-	-			
MX123 CONN ASSY 73 CKT GRY OPT9 KEY B/24	345665533	C-HSG-B9	G-CAP-9-P	TPA-B9	RS	LS	MAL	CPA	MSEAL	RSEAL	72	71	70	69	-	-	66	65	-	63	62	61	60	-	-	57	56	55	-	53			
											52	51	50	49	48	47	-	-	44	43	42	41	40	-	-	37	36	35	34	33			
															-	31	-	-	-	-	26	25	24	-	-	21	20	19	18	-			
															16	15	14	13	12	11	-	9	-	7	-	5	4	3	2	-			
MX123 CONN ASSY 73 CKT BLK OPT9 KEY A/24	345665543	C-HSG-A9	G-CAP-9-P	TPA-A9	RS	LS	MAL	CPA	MSEAL	RSEAL	72	71	70	69	-	-	66	65	-	63	62	61	60	-	-	57	56	55	-	53			
											52	51	50	49	48	47	-	-	44	43	42	41	40	-	-	37	36	35	34	33			
															-	31	-	-	-	-	26	25	24	-	-	21	20	19	18	-			
															16	15	14	13	-	11	-	9	-	7	-	5	4	3	2	-			
MX123 CONN ASSY 73 CKT GRY OPT9 KEY B/24	345665553	C-HSG-B9	G-CAP-9-P	TPA-B9	RS	LS	MAL	CPA	MSEAL	RSEAL	72	71	70	69	-	-	66	65	-	63	62	61	60	-	-	57	56	55	-	53			
											52	51	50	49	48	47	-	-	44	43	42	41	40	-	-	37	36	35	34	33			
															-	31	-	-	-	-	26	25	24	-	-	21	20	19	18	-			
															16	15	14	13	-	11	-	9	-	7	-	5	4	3	2	-			

ASSEMBLY DESCRIPTION	ASSEMBLY PART NUMBER	CONNECTOR HOUSING	GROMMET CAP	TPA	RIGHT SLIDE	LEFT SLIDE	MATE ASSIST LEVER	CPA	MAT SEAL	RING SEAL	BLOCKED TERMINALS																				STATUS	COMMENTS	INTEGRAL COMPONENTS SOLD SEPARATELY					
											CAVITY WITH A NUMBER INDICATES BLOCKED TERMINAL POSITION																						DRESS COVER					
											CAVITY WITHOUT A NUMBER INDICATES OPEN TERMINAL POSITION																											
MX123 CONN ASSY 73 CKT GRY OPT0 KEY B/18	345665683	C-HSG-B0	G-CAP-0-P	TPA-B0	RS	LS	MAL	CPA	MSEAL	RSEAL	-	71	70	69	68	67	66	65	64	63	-	-	60	59	58	57	56	55	54	53	SALEABLE		345650003					
											-	51	50	49	-	47	-	45	-	-	42	-	-	39	38	37	36	35	34	33								
															32	31	-	29	28	27	26	25	24	23	22	21	-	-	-	17								
											-	15	-	13	12	11	10	9	8	7	6	5	-	3	2	1												
MX123 CONN ASSY 73 CKT BLK OPT0 KEY A/53	345665693	C-HSG-A0	G-CAP-0-P	TPA-A0	RS	LS	MAL	CPA	MSEAL	RSEAL	-	-	-	-	-	67	-	-	-	-	62	-	-	59	58	-	-	55	-	-	SALEABLE		345650003					
											-	-	-	-	-	47	-	-	-	-	42	41	-	-	-	-	-	35	-	-								
															-	-	-	-	-	27	-	-	24	-	-	-	-	19	18	17								
											16	-	-	-	-	11	10	-	8	-	-	-	-	3	-	1												
MX123 CONN ASSY 73 CKT GRY OPT0 KEY B/52	345665703	C-HSG-B0	G-CAP-0-P	TPA-B0	RS	LS	MAL	CPA	MSEAL	RSEAL	72	71	70	69	-	67	66	65	64	63	62	61	60	-	58	-	56	-	54	-	SALEABLE		345650003					
											52	51	50	-	-	47	-	45	44	43	42	41	40	-	38	-	36	-	34	-								
															32	31	30	-	28	27	26	25	24	-	22	-	20	19	-	-								
											16	15	14	13	-	-	-	9	8	-	6	5	4	3	2	1												
MX123 CONN ASSY 73 CKT BLU OPT0 KEY C/40	345665713	C-HSG-C0	G-CAP-0-P	TPA-C0	RS	LS	MAL	CPA	MSEAL	RSEAL	72	71	70	-	68	-	-	65	-	63	-	61	-	59	58	-	56	-	-	53	SALEABLE		345650003					
											-	-	-	49	-	47	-	-	-	43	-	41	40	39	38	-	36	-	-	-								
															-	-	30	29	-	-	-	25	24	23	22	21	20	-	-	-								
											-	-	-	-	-	-	-	-	-	-	6	5	4	3	2	1												
MX123 CONN ASSY 73 CKT BLU OPT0 KEY C/36	345665723	C-HSG-C0	G-CAP-0-P	TPA-C0	RS	LS	MAL	CPA	MSEAL	RSEAL	72	71	70	-	68	-	-	65	-	63	62	-	-	59	58	-	56	55	-	53	SALEABLE		345650003					
											-	-	-	-	-	47	-	-	-	43	42	-	40	39	38	-	36	35	-	-								
															32	-	30	29	-	-	26	-	24	23	22	21	20	19	-	17								
											-	-	-	-	-	-	-	-	-	-	-	6	5	4	3	2	1											
MX123 CONN ASSY 73 CKT BLK OPT0 KEY A/36	345665733	C-HSG-A0	G-CAP-0-P	TPA-A0	RS	LS	MAL	CPA	MSEAL	RSEAL	72	-	-	-	68	67	66	65	-	-	62	61	-	-	-	-	-	-	-	SALEABLE		345650003						
											-	-	50	-	48	47	46	-	-	-	-	-	40	39	38	-	-	35	-				33					
															-	31	-	29	-	27	-	25	24	23	22	21	20	-	-				17					
											-	-	14	13	-	11	-	9	8	7	6	5	4	-	2	1												
MX123 CONN ASSY 73 CKT BLK OPT0 KEY A/36	345665743	C-HSG-A0	G-CAP-0-P	TPA-A0	RS	LS	MAL	CPA	MSEAL	RSEAL	72	-	-	-	68	-	66	65	-	-	62	61	-	-	58	-	-	-	-	SALEABLE		345650003						
											-	-	50	-	48	47	46	-	-	-	-	-	40	39	38	-	-	35	-				33					
															-	31	-	29	-	27	-	25	24	23	22	21	20	-	-				17					
											-	-	14	13	-	11	-	9	8	7	6	5	4	-	2	1												
MX123 CONN ASSY 73 CKT BLK OPT0 KEY A/39	345665753	C-HSG-A0	G-CAP-0-P	TPA-A0	RS	LS	MAL	CPA	MSEAL	RSEAL	72	-	-	-	68	67	66	65	-	-	62	61	-	-	58	-	-	-	-	SALEABLE		345650003						
											-	-	50	-	48	47	46	-	-	-	-	-	40	39	38	-	-	35	-				33					
															-	31	-	29	-	27	-	25	24	-	22	-	20	-	-				17					
											-	-	14	13	-	11	-	9	-	7	6	-	4	-	2	1												
MX123 CONN ASSY 73 CKT BLU OPT0 KEY C/42	345665763	C-HSG-C0	G-CAP-0-P	TPA-C0	RS	LS	MAL	CPA	MSEAL	RSEAL	-	71	-	69	-	67	-	65	64	-	-	61	60	-	58	-	56	55	54	-	SALEABLE		345650003					
											-	-	50	49	-	-	-	45	-	43	-	41	-	-	38	-	-	35	-	-								
															-	31	-	29	28	-	-	-	-	23	-	-	-	19	18	17								
											16	-	-	-	12	11	-	-	-	7	-	-	-	3	-	1												
MX123 CONN ASSY 73 CKT BLU OPT0 KEY C/41	345665773	C-HSG-C0	G-CAP-0-P	TPA-C0	RS	LS	MAL	CPA	MSEAL	RSEAL	-	71	-	69	-	67	66	65	64	-	-	61	60	-	-	-	56	55	54	-	SALEABLE		345650003					
											-	-	50	49	-	-	46	45	-	43	-	41	-	-	38	-	-	35	-	-								
															-	31	-	29	28	-	-	-	-	23	-	-	-	19	18	-								
											16	-	-	-	12	11	10	9	-	7	-	-	-	3	-	-												
MX123 CONN ASSY 73 CKT BLU OPT0 KEY C/38	345665783	C-HSG-C0	G-CAP-0-P	TPA-C0	RS	LS	MAL	CPA	MSEAL	RSEAL	-	71	-	69	-	67	66	65	64	-	-	61	60	-	58	-	56	55	54	-	SALEABLE		345650003					
											-	-	50	49	-	-	46	45	-	43	-	41	-	-	38	-	-	35	-	-								
															-	31	-	29	28	-	-	-	-	23	-	-	-	19	18	17								
											16	-	-	-	12	11	10	9	-	7	-	-	-	3	-	1												
MX123 CONN ASSY 73 CKT BLK OPT0 KEY B/34	345665793	C-HSG-B0	G-CAP-0-P	TPA-B0	RS	LS	MAL	CPA	MSEAL	RSEAL	-	71	-	69	-	67	-	65	64	63	62	61	-	-	58	57	56	-	-	-	SALEABLE		345650003					
											-	51	-	49	-	47	-	45	44	43	42	41	-	-	38	37	36	-	-	-								
															-	-	-	-	-	-	-	-	-	23	22	21	20	19	18	-								
											-	15	14	13	12	11	-	9	-	7	6	5	4	3	-	-												

ASSEMBLY DESCRIPTION	ASSEMBLY PART NUMBER	CONNECTOR HOUSING	GROMMET CAP	TPA	RIGHT SLIDE	LEFT SLIDE	MATE ASSIST LEVER	CPA	MAT SEAL	RING SEAL	BLOCKED TERMINALS																		STATUS	COMMENTS	INTEGRAL COMPONENTS SOLD SEPARATELY			
											CAVITY WITH A NUMBER INDICATES BLOCKED TERMINAL POSITION																				DRESS COVER			
											CAVITY WITHOUT A NUMBER INDICATES OPEN TERMINAL POSITION																							
MX123 CONN ASSY 73 CKT GRY OPT0 KEY B/55	345665803	C-HSG-B0	G-CAP-0-P	TPA-B0	RS	LS	MAL	CPA	MSEAL	RSEAL	72	71	70	69	68	67	66	65	64	63	62	61	60	59	58	57	56	55	54	53	SALEABLE		345650003	
											52	51	50	-	-	-	46	45	44	43	42	41	40	-	38	-	36	-	34	-				
															32	31	30	-	28	27	26	25	24	-	22	-	20	19	18	-				
MX123 CONN ASSY 73 CKT GRY OPT0 KEY B/38	345665813	C-HSG-B0	G-CAP-0-P	TPA-B0	RS	LS	MAL	CPA	MSEAL	RSEAL	-	71	-	69	-	67	-	65	64	63	62	61	-	-	58	57	56	-	-	-	SALEABLE		345650003	
											-	51	-	49	-	47	-	45	44	43	42	41	-	-	38	37	36	-	-	-				
															-	-	-	-	-	-	-	-	-	-	22	21	20	-	-	-				
MX123 CONN ASSY 73 CKT BLK OPT0 KEY A/21	345665823	C-HSG-A0	G-CAP-0-P	TPA-A0	RS	LS	MAL	CPA	MSEAL	RSEAL	-	71	-	69	68	67	66	65	64	-	62	61	60	59	58	57	56	55	54	53	SALEABLE		345650003	
											-	51	50	-	48	47	46	45	44	-	42	-	40	39	38	37	36	35	34	33				
															32	-	-	29	-	-	-	25	24	-	22	21	-	-	18	17				
MX123 CONN ASSY 73 CKT BLK OPT0 KEY A/22	345665833	C-HSG-A0	G-CAP-0-P	TPA-A0	RS	LS	MAL	CPA	MSEAL	RSEAL	-	71	-	69	68	67	66	65	64	-	62	61	60	59	58	57	56	55	54	53	SALEABLE		345650003	
											-	51	50	-	48	47	46	45	44	-	42	-	40	39	38	37	36	35	34	33				
															32	-	-	29	-	-	-	25	24	-	22	21	-	-	18	17				
MX123 CONN ASSY 73 CKT BLU OPT0 KEY C/36	345665863	C-HSG-C0	G-CAP-0-P	TPA-C0	RS	LS	MAL	CPA	MSEAL	RSEAL	-	71	-	69	68	67	-	65	64	-	-	61	60	-	58	-	-	-	54	-	SALEABLE		345650003	
											-	-	50	49	48	47	-	45	-	43	-	41	-	-	38	-	-	35	-	-				
															-	31	-	29	28	27	-	-	24	23	-	-	20	-	-	17				
MX123 CONN ASSY 73 CKT GRY OPT0 KEY B/20	345665873	C-HSG-B0	G-CAP-0-P	TPA-B0	RS	LS	MAL	CPA	MSEAL	RSEAL	-	71	70	69	68	67	66	65	64	63	-	-	60	59	58	57	56	55	54	53	SALEABLE		345650003	
											-	51	50	49	-	-	-	45	-	-	42	-	-	39	38	37	36	35	34	33				
															32	31	-	29	28	27	26	25	24	23	22	21	-	-	-	17				
MX123 CONN ASSY 73 CKT GRY OPT0 KEY B/19	345665883	C-HSG-B0	G-CAP-0-P	TPA-B0	RS	LS	MAL	CPA	MSEAL	RSEAL	-	71	70	69	68	67	66	65	64	63	-	-	60	59	58	57	56	55	54	53	SALEABLE		345650003	
											-	51	50	49	-	-	-	45	44	-	42	-	-	39	38	37	36	35	34	33				
															32	31	-	29	28	27	26	25	24	23	22	21	-	-	-	17				
MX123 CONN ASSY 73 CKT BLU OPT0 KEY C/35	345665893	C-HSG-C0	G-CAP-0-P	TPA-C0	RS	LS	MAL	CPA	MSEAL	RSEAL	72	71	70	-	68	-	-	65	64	63	-	61	-	59	58	-	56	-	-	-	53	SALEABLE		345650003
											-	-	-	49	-	47	-	-	-	43	-	41	40	39	38	-	36	-	-	-				
															-	31	30	29	-	-	-	25	24	23	22	21	20	-	-	17				
MX123 CONN ASSY 73 CKT BLK OPT0 KEY A/40	345665903	C-HSG-A0	G-CAP-0-P	TPA-A0	RS	LS	MAL	CPA	MSEAL	RSEAL	-	-	70	-	-	-	-	65	-	-	-	61	60	-	58	57	56	55	54	-	SALEABLE		345650003	
											52	51	50	49	-	47	46	45	-	-	-	41	40	-	38	37	36	-	34	-				
															-	31	30	-	28	-	26	25	24	-	22	21	20	19	18	-				
MX123 CONN ASSY 73 CKT BLU OPT0 KEY C/34	345665913	C-HSG-C0	G-CAP-0-P	TPA-C0	RS	LS	MAL	CPA	MSEAL	RSEAL	72	71	70	-	68	-	-	65	-	63	62	-	-	59	58	-	56	55	-	53	SALEABLE		345650003	
											-	-	-	-	-	47	-	-	-	43	42	-	40	39	38	-	36	35	-	-				
															-	31	30	29	-	-	26	-	24	23	22	21	20	19	-	17				
MX123 CONN ASSY 73 CKT BLU OPT0 KEY C/38	345665933	C-HSG-C0	G-CAP-0-P	TPA-C0	RS	LS	MAL	CPA	MSEAL	RSEAL	-	71	-	69	-	67	-	65	64	-	-	61	60	-	58	-	-	-	54	-	SALEABLE		345650003	
											-	-	50	49	-	-	-	45	-	43	-	41	-	-	38	37	36	35	-	-				
															-	31	-	29	28	27	-	-	24	-	-	20	19	18	17					
MX123 CONN ASSY 73 CKT BLU OPT0 KEY C/41	345665943	C-HSG-C0	G-CAP-0-P	TPA-C0	RS	LS	MAL	CPA	MSEAL	RSEAL	-	71	-	69	-	-	-	65	64	-	-	61	60	-	58	-	-	-	54	-	SALEABLE		345650003	
											-	-	50	-	-	-	-	45	-	43	-	41	-	-	38	37	36	35	-	-				
															-	31	-	29	28	-	-	24	23	-	-	19	18	17						

ASSEMBLY DESCRIPTION	ASSEMBLY PART NUMBER	CONNECTOR HOUSING	GROMMET CAP	TPA	RIGHT SLIDE	LEFT SLIDE	MATE ASSIST LEVER	CPA	MAT SEAL	RING SEAL	BLOCKED TERMINALS																				STATUS	COMMENTS	INTEGRAL COMPONENTS SOLD SEPARATELY	
											CAVITY WITH A NUMBER INDICATES BLOCKED TERMINAL POSITION																						DRESS COVER	
											CAVITY WITHOUT A NUMBER INDICATES OPEN TERMINAL POSITION																							
MX123 CONN ASSY 73 CKT BLU OPT0 KEY C/35	345666073	C-HSG-C0	G-CAP-0-P	TPA-C0	RS	LS	MAL	CPA	MSEAL	RSEAL	72	71	70	-	68	-	-	65	-	63	62	-	-	59	58	-	56	55	-	53	SALEABLE		345650003	
											-	-	-	-	-	-	47	-	-	-	43	42	-	40	39	38	-	36	35	-				-
																					-	31	30	29	-	-	26	-	24	23				22
MX123 CONN ASSY 73 CKT BLU OPT0 KEY C/38	345666083	C-HSG-C0	G-CAP-0-P	TPA-C0	RS	LS	MAL	CPA	MSEAL	RSEAL	-	71	-	69	-	-	-	65	64	-	-	61	60	-	58	-	56	55	54	-	SALEABLE		345650003	
											-	-	50	49	-	-	-	45	-	43	-	41	-	-	38	-	-	35	-	-				
																					-	31	-	29	28	27	-	-	24	23				-
MX123 CONN ASSY 73 CKT GRY OPT0 KEY B/22	345666093	C-HSG-B0	G-CAP-0-P	TPA-B0	RS	LS	MAL	CPA	MSEAL	RSEAL	-	71	-	69	68	-	66	65	64	-	-	-	-	58	57	56	55	54	53	SALEABLE		345650003		
											-	51	50	49	48	47	-	45	44	-	42	-	-	39	38	37	36	35	34				33	
																					32	31	30	29	28	-	26	25	24				23	22
MX123 CONN ASSY 73 CKT GRY OPT0 KEY B/51	345666103	C-HSG-B0	G-CAP-0-P	TPA-B0	RS	LS	MAL	CPA	MSEAL	RSEAL	72	71	70	69	68	-	-	-	64	63	-	61	60	-	58	-	56	-	54	-	SALEABLE		345650003	
											52	51	50	-	-	-	46	45	44	43	-	41	40	-	38	-	36	-	34	-				
																					32	31	30	-	28	27	-	25	24	-				22
MX123 CONN ASSY 73 CKT BLK OPT0 KEY A/66	345666113	C-HSG-A0	G-CAP-0-P	TPA-A0	RS	LS	MAL	CPA	MSEAL	RSEAL	-	-	-	-	-	67	-	-	-	-	-	-	-	59	-	-	-	-	-	SALEABLE		345650003		
											-	-	-	-	-	47	-	-	-	-	-	-	-	-	-	-	-	35	-				-	
																					-	-	-	-	-	-	-	-	24				-	-
MX123 CONN ASSY 73 CKT BLU OPT0 KEY C/33	345666123	C-HSG-C0	G-CAP-0-P	TPA-C0	RS	LS	MAL	CPA	MSEAL	RSEAL	72	71	70	-	68	-	-	65	-	63	-	61	-	59	58	-	56	55	-	53	SALEABLE		345650003	
											-	-	-	49	-	47	-	-	-	43	-	41	40	39	38	-	36	35	-	-				
																					32	31	30	29	-	-	25	24	23	22				21
MX123 CONN ASSY 73 CKT BLU OPT9 KEY C/38	345666133	C-HSG-C9	G-CAP-9-P	TPA-C9	RS	LS	MAL	CPA	MSEAL	RSEAL	-	71	-	69	-	-	66	65	64	-	-	61	60	-	58	-	56	55	54	-	SALEABLE		345650003	
											-	-	50	49	-	-	46	45	-	43	-	41	-	-	-	-	-	35	-	-				
																					-	31	-	29	28	27	-	-	-	23				-
MX123 CONN ASSY 73 CKT GRY OPT9 KEY B/33	345666173	C-HSG-B9	G-CAP-9-P	TPA-B9	RS	LS	MAL	CPA	MSEAL	RSEAL	72	71	70	69	68	-	-	65	64	63	62	61	60	59	58	57	56	55	54	53	SALEABLE		345650003	
											52	51	50	49	-	-	46	45	44	43	42	-	40	39	38	37	36	35	34	33				
																					-	-	-	-	28	-	-	-	-	23				-
MX123 CONN ASSY 73 CKT BLK OPT9 KEY A/32	345666183	C-HSG-A9	G-CAP-9-P	TPA-A9	RS	LS	MAL	CPA	MSEAL	RSEAL	72	71	70	69	68	67	-	65	64	63	62	61	60	59	58	57	56	55	54	53	SALEABLE		345650003	
											52	51	50	49	-	-	46	45	44	43	42	-	40	39	38	37	36	35	34	33				
																					-	-	-	-	28	-	-	-	-	23				-
MX123 CONN ASSY 73 CKT GRY OPT9 KEY B/57	345666193	C-HSG-B9	G-CAP-9-P	TPA-B9	RS	LS	MAL	CPA	MSEAL	RSEAL	-	-	-	-	-	-	-	-	-	63	-	-	-	-	-	-	-	-	53	SALEABLE		345650003		
											-	-	-	-	48	47	-	45	-	43	42	-	-	39	-	-	-	35	34				33	
																					-	-	-	-	-	-	-	-	23				22	-
MX123 CONN ASSY 73 CKT BLK OPT0 KEY A/33	345666203	C-HSG-A0	G-CAP-0-P	TPA-A0	RS	LS	MAL	CPA	MSEAL	RSEAL	72	-	-	-	-	67	66	-	-	-	62	-	60	-	58	-	-	55	54	53	SALEABLE		345650003	
											-	-	-	-	48	-	46	45	44	43	42	-	40	39	-	-	-	35	-	-				
																					-	-	-	-	-	26	25	-	-	22				21
MX123 CONN ASSY 73 CKT BLK OPT9 KEY A/33	345666213	C-HSG-A9	G-CAP-9-P	TPA-A9	RS	LS	MAL	CPA	MSEAL	RSEAL	72	71	70	69	68	-	-	65	64	63	62	61	60	59	58	57	56	55	54	53	SALEABLE		345650003	
											52	51	50	49	-	-	46	45	44	43	42	-	40	39	38	37	36	35	34	33				
																					-	-	-	-	28	-	-	-	-	23				-

ASSEMBLY DESCRIPTION	ASSEMBLY PART NUMBER	CONNECTOR HOUSING	GROMMET CAP	TPA	RIGHT SLIDE	LEFT SLIDE	MATE ASSIST LEVER	CPA	MAT SEAL	RING SEAL	BLOCKED TERMINALS																		STATUS	COMMENTS	INTEGRAL COMPONENTS SOLD SEPARATELY						
											CAVITY WITH A NUMBER INDICATES BLOCKED TERMINAL POSITION																				DRESS COVER						
											CAVITY WITHOUT A NUMBER INDICATES OPEN TERMINAL POSITION																										
MX123 CONN ASSY 73 CKT BLU OPT9 KEY C/36	345666223	C-HSG-C9	G-CAP-9-P	TPA-C9	RS	LS	MAL	CPA	MSEAL	RSEAL	-	71	-	69	-	67	-	65	64	-	-	61	60	-	58	-	56	55	54	-							
											-	-	50	49	-	-	-	45	-	43	42	41	-	-	38	37	36	35	-	-							
																						-	31	-	29	28	-	-	-	24	23	-	-	-	19	18	17
																						16	-	-	-	12	11	-	-	8	7	-	-	-	3	2	1
MX123 CONN ASSY 73 CKT GRY OPT9 KEY B/34	345666233	C-HSG-B9	G-CAP-9-P	TPA-B9	RS	LS	MAL	CPA	MSEAL	RSEAL	-	71	-	69	-	67	-	65	64	63	62	61	-	-	58	57	56	-	-	-							
											-	51	-	49	-	47	-	45	44	43	42	41	-	-	38	37	36	-	-	-							
																						-	-	-	-	-	-	-	-	23	22	21	20	19	18	-	
																						-	15	14	13	12	11	-	9	-	7	6	5	4	3	-	-
MX123 CONN ASSY 73 CKT BLK OPT9 KEY A/39	345666243	C-HSG-A9	G-CAP-9-P	TPA-A9	RS	LS	MAL	CPA	MSEAL	RSEAL	72	-	-	-	68	67	66	65	-	-	62	61	-	-	-	-	-	-	-								
											-	-	-	-	48	47	46	-	-	-	-	-	40	-	38	-	-	35	-	33							
																						-	31	-	29	-	27	-	25	24	23	22	21	20	-	-	17
																						-	-	-	13	-	11	-	9	8	7	6	5	4	-	2	1
MX123 CONN ASSY 73 CKT BLU OPT9 KEY C/43	345666253	C-HSG-C9	G-CAP-9-P	TPA-C9	RS	LS	MAL	CPA	MSEAL	RSEAL	-	71	-	69	-	-	-	65	64	-	-	61	60	-	58	-	56	55	54	-							
											-	-	50	-	-	-	-	45	-	43	42	41	-	-	38	-	-	35	-	-							
																						-	31	-	29	28	-	-	-	23	-	-	-	19	18	17	
																						16	-	-	-	12	11	-	-	7	-	-	-	3	-	1	
MX123 CONN ASSY 73 CKT GRY OPT9 KEY B/53	345666263	C-HSG-B9	G-CAP-9-P	TPA-B9	RS	LS	MAL	CPA	MSEAL	RSEAL	-	-	-	69	-	-	-	65	64	63	-	-	-	-	-	-	-	-	-								
											-	-	-	49	-	-	-	45	44	43	-	-	-	-	-	-	-	-	-	-							
																						-	-	-	-	-	-	-	-	23	22	21	20	19	-	-	
																						-	-	-	-	12	11	-	9	-	7	6	5	4	-	-	-
MX123 CONN ASSY 73 CKT GRY OPT9 KEY B/48	345666273	C-HSG-B9	G-CAP-9-P	TPA-B9	RS	LS	MAL	CPA	MSEAL	RSEAL	72	-	-	-	68	67	66	-	-	-	-	-	59	-	-	-	-	-	-								
											-	-	-	-	48	47	46	-	-	-	-	40	-	38	-	-	35	-	33								
																						-	31	-	-	-	-	25	-	23	22	21	20	-	-	17	
																						-	-	-	-	-	-	9	8	7	6	5	4	-	2	1	
MX123 CONN ASSY 73 CKT BLU OPT9 KEY C/35	345666283	C-HSG-C9	G-CAP-9-P	TPA-C9	RS	LS	MAL	CPA	MSEAL	RSEAL	-	71	-	69	-	-	-	65	64	-	-	61	60	-	58	-	56	55	54	-							
											-	-	50	49	-	-	-	45	-	43	42	41	-	-	38	37	36	35	-	-							
																						-	31	-	29	28	-	-	-	24	23	-	-	20	19	18	17
																						16	-	-	13	12	11	-	-	8	7	-	-	-	3	2	1
MX123 CONN ASSY 73 CKT GRY OPT9 KEY B/51	345666293	C-HSG-B9	G-CAP-9-P	TPA-B9	RS	LS	MAL	CPA	MSEAL	RSEAL	-	-	-	69	-	-	-	65	64	63	-	-	-	-	-	-	-	-	-								
											-	-	-	49	-	-	-	45	44	43	-	-	-	-	-	-	-	-	-	-							
																						-	-	-	-	-	-	-	-	23	22	21	20	19	18	-	
																						-	-	-	-	12	11	-	9	-	7	6	5	4	3	-	-
MX123 CONN ASSY 73 CKT BLK OPT0 KEY A/32	345666303	C-HSG-A0	G-CAP-0-P	TPA-A0	RS	LS	MAL	CPA	MSEAL	RSEAL	72	-	-	-	67	66	-	-	-	-	62	61	-	60	-	58	-	-	55	54	53						
											-	-	-	-	48	47	46	45	44	43	42	-	40	39	-	-	-	35	-	-							
																						-	-	-	-	-	26	25	-	-	22	21	-	-	-	17	
																						-	15	14	-	-	-	-	-	8	7	6	5	4	3	-	-
MX123 CONN ASSY 73 CKT GRY OPT9 KEY B/40	345666313	C-HSG-B9	G-CAP-9-P	TPA-B9	RS	LS	MAL	CPA	MSEAL	RSEAL	72	71	-	-	68	67	66	65	64	-	-	-	-	59	-	-	-	-	-	-							
											-	-	-	-	48	47	46	45	-	-	-	-	40	-	38	-	-	35	-	33							
																						-	31	30	-	-	-	25	24	23	22	21	20	-	-	17	
																						-	-	-	-	-	-	9	8	7	6	5	4	-	2	1	
MX123 CONN ASSY 73 CKT GRY OPT9 KEY B/39	345666323	C-HSG-B9	G-CAP-9-P	TPA-B9	RS	LS	MAL	CPA	MSEAL	RSEAL	72	-	-	-	68	67	66	65	-	-	62	61	-	-	-	-	-	-	-								
											-	-	-	-	48	47	46	-	-	-	-	40	-	38	-	-	35	-	33								
																						-	31	-	29	-	27	-	25	24	23	22	21	20	-	-	17
																						-	-	-	13	-	11	-	9	8	7	6	5	4	-	2	1
MX123 CONN ASSY 73 CKT BLU OPT9 KEY C/40	345666333	C-HSG-C9	G-CAP-9-P	TPA-C9	RS	LS	MAL	CPA	MSEAL	RSEAL	-	71	-	69	-	-	-	65	64	-	-	61	60	-	58	-	-	-	54	-							
											-	-	50	49	-	-	-	45	-	43	42	41	-	-	38	37	36	35	-	-							
																						-	31	-	29	28	-	-	-	24	23	-	-	20	-	-	17
																						16	-	-	13	12	11	-	-	8	7	-	-	-	-	2	1

ASSEMBLY DESCRIPTION	ASSEMBLY PART NUMBER	CONNECTOR HOUSING	GROMMET CAP	TPA	RIGHT SLIDE	LEFT SLIDE	MATE ASSIST LEVER	CPA	MAT SEAL	RING SEAL	BLOCKED TERMINALS																				STATUS	COMMENTS	INTEGRAL COMPONENTS SOLD SEPARATELY
											CAVITY WITH A NUMBER INDICATES BLOCKED TERMINAL POSITION																						DRESS COVER
											CAVITY WITHOUT A NUMBER INDICATES OPEN TERMINAL POSITION																						
MX123 CONN ASSY 73 CKT GRY OPT0 KEY B/23	345666463	C-HSG-B0	G-CAP-0-P	TPA-B0	RS	LS	MAL	CPA	MSEAL	RSEAL	-	71	70	69	-	-	66	65	64	63	-	-	60	59	58	57	56	-	54	53			
											-	51	50	49	-	-	-	45	44	-	42	41	-	39	38	37	36	35	34	33			
															32	31	-	29	28	27	26	25	24	23	22	21	-	-	-	17			
															-	-	-	13	12	11	10	9	-	7	6	5	-	3	-	1			
MX123 CONN ASSY 73 CKT BLU OPT9 KEY C/40	345666473	C-HSG-C9	G-CAP-9-P	TPA-C9	RS	LS	MAL	CPA	MSEAL	RSEAL	72	71	-	-	68	-	-	65	-	63	-	61	-	59	58	-	56	-	-	53			
											-	-	-	49	-	47	-	-	-	43	-	41	40	39	38	-	36	-	-	-			
															-	31	30	29	-	-	-	25	24	23	22	21	20	-	-	-			
															-	-	-	-	-	-	-	-	-	-	-	6	5	4	3	2	1		
MX123 CONN ASSY 73 CKT BLK OPT9 KEY A/52	345666483	C-HSG-A9	G-CAP-9-P	TPA-A9	RS	LS	MAL	CPA	MSEAL	RSEAL	-	-	-	-	-	67	-	-	-	-	62	-	-	59	58	-	-	55	-	-			
											-	-	-	-	-	47	-	-	-	-	42	41	-	-	-	-	35	-	-				
															-	-	-	-	-	27	-	-	24	-	-	-	-	19	18	17			
															16	-	-	-	-	11	10	-	8	-	-	-	4	3	-	1			
MX123 CONN ASSY 73 CKT GRY OPT9 KEY B/22	345666493	C-HSG-B9	G-CAP-9-P	TPA-B9	RS	LS	MAL	CPA	MSEAL	RSEAL	-	71	-	69	68	67	66	65	64	63	-	-	60	59	58	57	56	-	54	53			
											-	51	50	49	-	-	-	45	44	-	42	-	-	39	38	37	36	35	34	33			
															32	31	-	29	28	27	26	25	24	23	22	21	-	-	-	17			
															-	-	-	13	12	11	10	9	8	7	6	5	-	3	-	1			
MX123 CONN ASSY 73 CKT BLK OPT0 KEY A/33	345666503	C-HSG-A0	G-CAP-0-P	TPA-A0	RS	LS	MAL	CPA	MSEAL	RSEAL	72	-	70	-	-	67	66	-	-	-	62	-	60	-	-	57	-	55	54	53			
											-	51	-	-	48	-	46	45	44	43	42	-	40	39	-	-	-	35	-	-			
															-	-	-	-	-	-	26	25	-	-	22	21	-	-	-	-			
															-	15	14	-	-	-	-	-	8	7	6	5	4	3	-	-			
MX123 CONN ASSY 73 CKT GRY OPT0 KEY B/23	345666513	C-HSG-B0	G-CAP-0-P	TPA-B0	RS	LS	MAL	CPA	MSEAL	RSEAL	-	71	70	69	-	-	66	65	64	63	-	-	60	59	58	57	56	-	-	53			
											-	51	50	49	48	47	-	45	44	-	42	41	-	39	38	37	36	35	34	33			
															32	31	30	29	28	27	26	25	24	23	22	21	-	-	-	-			
															-	-	-	13	12	11	10	9	-	7	6	5	-	-	-	1			
MX123 CONN ASSY 73 CKT GRY OPT0 KEY B/25	345666523	C-HSG-B0	G-CAP-0-P	TPA-B0	RS	LS	MAL	CPA	MSEAL	RSEAL	72	71	70	69	-	-	66	65	-	63	62	61	60	-	-	57	56	55	-	53			
											52	51	50	49	48	47	-	-	44	43	42	41	40	-	-	37	36	35	34	33			
															-	31	-	-	-	-	26	25	24	-	-	21	20	19	18	-			
															16	-	14	-	12	-	-	9	8	7	-	5	4	3	2	-			
MX123 CONN ASSY 73 CKT GRY OPT9 KEY B/15	345666533	C-HSG-B9	G-CAP-9-P	TPA-B9	RS	LS	MAL	CPA	MSEAL	RSEAL	72	71	70	69	-	-	66	65	-	63	62	61	60	59	58	57	56	55	54	53			
											52	51	50	49	48	47	-	-	44	43	42	41	40	39	38	37	36	35	34	33			
															-	31	-	-	-	-	26	25	24	23	22	21	20	19	18	-			
															16	15	14	13	12	11	-	9	8	-	6	5	4	3	2	-			
MX123 CONN ASSY 73 CKT BLK OPT9 KEY A/53	345666543	C-HSG-A9	G-CAP-9-P	TPA-A9	RS	LS	MAL	CPA	MSEAL	RSEAL	-	-	-	-	-	67	-	-	-	-	62	-	-	59	58	-	-	55	-	-			
											-	-	-	-	-	47	-	-	-	-	42	41	-	-	-	-	35	-	-				
															-	-	-	-	-	27	-	-	24	-	-	-	-	19	18	17			
															16	-	-	-	-	11	10	-	8	-	-	-	-	3	-	1			
MX123 CONN ASSY 73 CKT BLK OPT9 KEY A/46	345666553	C-HSG-A9	G-CAP-9-P	TPA-A9	RS	LS	MAL	CPA	MSEAL	RSEAL	-	-	-	-	68	-	66	65	-	-	62	61	-	-	-	-	-	-	-				
											-	-	-	-	48	-	46	-	-	-	-	-	-	38	-	-	35	-	33				
															-	31	-	29	-	27	-	25	24	23	22	21	20	-	-	-			
															16	-	-	13	12	11	-	9	-	7	6	-	4	-	-	-			
MX123 CONN ASSY 73 CKT BLU OPT9 KEY C/41	345666563	C-HSG-C9	G-CAP-9-P	TPA-C9	RS	LS	MAL	CPA	MSEAL	RSEAL	-	71	-	69	-	67	-	65	64	-	-	61	60	-	-	-	56	55	54	-			
											-	-	50	49	-	-	-	45	-	43	42	41	-	-	38	37	36	35	-	-			
															-	31	-	29	28	-	-	-	24	-	-	-	-	19	18	-			
															16	-	-	-	12	11	-	-	8	-	-	-	-	3	2	-			
MX123 CONN ASSY 73 CKT BLK OPT9 KEY A/47	345666573	C-HSG-A9	G-CAP-9-P	TPA-A9	RS	LS	MAL	CPA	MSEAL	RSEAL	-	-	-	-	68	-	66	65	-	-	62	61	-	-	-	-	-	-	-				
											-	-	-	-	48	-	46	-	-	-	-	-	-	38	-	-	35	-	33				
															-	31	-	29	-	27	-	25	24	-	22	-	20	-	-	17			
															-	-	-	13	-	11	-	9	-	7	6	-	4	-	2	1			

ASSEMBLY DESCRIPTION	ASSEMBLY PART NUMBER	CONNECTOR HOUSING	GROMMET CAP	TPA	RIGHT SLIDE	LEFT SLIDE	MATE ASSIST LEVER	CPA	MAT SEAL	RING SEAL	BLOCKED TERMINALS																				STATUS	COMMENTS	INTEGRAL COMPONENTS SOLD SEPARATELY	
											CAVITY WITH A NUMBER INDICATES BLOCKED TERMINAL POSITION																						DRESS COVER	
											CAVITY WITHOUT A NUMBER INDICATES OPEN TERMINAL POSITION																							
MX123 CONN ASSY 73 CKT BLU OPT9 KEY C/35	345666743	C-HSG-C9	G-CAP-9-P	TPA-C9	RS	LS	MAL	CPA	MSEAL	RSEAL	72	-	70	-	-	-	66	-	-	-	62	-	-	59	58	-	56	55	54	53	SALEABLE		345650003	
											-	-	-	49	-	47	-	-	44	-	42	-	40	39	38	-	36	35	-	-				
															32	31	30	29	-	-	26	-	24	23	22	21	20	19	18	17				
MX123 CONN ASSY 73 CKT BLK OPT9 KEY A/49	345666753	C-HSG-A9	G-CAP-9-P	TPA-A9	RS	LS	MAL	CPA	MSEAL	RSEAL	-	-	-	-	-	67	-	-	-	63	62	-	-	59	58	-	-	55	-	-	SALEABLE		345650003	
											-	-	-	-	-	47	-	-	-	-	41	-	-	-	-	-	35	-	-					
															32	-	-	-	-	27	26	25	24	-	-	-	-	19	18	17				
MX123 CONN ASSY 73 CKT GRY OPT9 KEY B/26	345666763	C-HSG-B9	G-CAP-9-P	TPA-B9	RS	LS	MAL	CPA	MSEAL	RSEAL	-	71	70	69	-	67	66	65	64	63	-	-	60	59	58	57	56	-	54	53	SALEABLE		345650003	
											-	51	-	-	-	48	47	-	-	44	-	42	41	-	39	38	37	36	35	-				33
															32	31	30	-	28	27	26	25	24	23	-	-	-	-	-	17				
MX123 CONN ASSY 73 CKT BLU OPT0 KEY C/40	345666773	C-HSG-C0	G-CAP-0-P	TPA-C0	RS	LS	MAL	CPA	MSEAL	RSEAL	-	71	-	69	-	67	-	65	64	-	-	61	60	-	-	-	56	55	54	-	SALEABLE		345650003	
											-	-	50	-	-	-	-	45	-	43	-	41	-	-	38	37	36	35	-	-				
															-	31	-	29	28	27	-	-	24	23	-	-	20	-	-	-				
MX123 CONN ASSY 73 CKT GRY OPT0 KEY B/37	345666783	C-HSG-B0	G-CAP-0-P	TPA-B0	RS	LS	MAL	CPA	MSEAL	RSEAL	-	71	-	69	-	67	-	65	64	63	62	61	-	-	58	57	56	-	-	-	SALEABLE		345650003	
											-	51	-	49	-	47	-	45	44	-	42	41	-	-	38	37	36	-	-	-				
															-	-	-	-	-	-	-	-	-	22	21	20	19	18	-					
MX123 CONN ASSY 73 CKT GRY OPT0 KEY B/42	345666793	C-HSG-B0	G-CAP-0-P	TPA-B0	RS	LS	MAL	CPA	MSEAL	RSEAL	-	71	-	69	-	67	-	65	-	-	62	61	-	-	58	57	56	-	-	-	SALEABLE		345650003	
											-	51	-	49	-	47	-	45	44	-	42	41	-	-	38	37	36	-	-	-				
															-	-	-	-	-	-	-	-	-	22	21	-	19	18	-					
MX123 CONN ASSY 73 CKT GRY OPT0 KEY B/55	345666803	C-HSG-B0	G-CAP-0-P	TPA-B0	RS	LS	MAL	CPA	MSEAL	RSEAL	72	71	70	69	68	67	66	-	64	63	62	61	60	-	58	-	56	-	54	-	SALEABLE		345650003	
											52	51	50	-	-	47	-	45	-	43	42	41	40	-	38	-	36	-	34	-				
															32	31	30	-	-	27	26	25	24	-	22	-	20	19	18	17				
MX123 CONN ASSY 73 CKT BLK OPT9 KEY A/55	345666813	C-HSG-A9	G-CAP-9-P	TPA-A9	RS	LS	MAL	CPA	MSEAL	RSEAL	72	-	-	-	-	-	66	-	-	-	-	-	-	59	-	-	-	-	-	SALEABLE		345650003		
											-	-	-	-	-	-	46	-	-	-	-	-	-	38	-	-	35	-	33					
															-	31	-	-	-	-	-	-	-	23	22	-	20	19	-				17	
MX123 CONN ASSY 73 CKT BLU OPT9 KEY C/45	345666823	C-HSG-C9	G-CAP-9-P	TPA-C9	RS	LS	MAL	CPA	MSEAL	RSEAL	-	71	-	69	-	-	-	65	64	-	-	61	60	-	58	-	56	55	54	-	SALEABLE		345650003	
											-	-	50	-	-	-	-	45	-	43	42	-	-	38	-	-	-	-	-					
															-	31	-	29	28	-	-	-	23	-	-	-	19	18	17					
MX123 CONN ASSY 73 CKT BLK OPT0 KEY A/36	345666833	C-HSG-A0	G-CAP-0-P	TPA-A0	RS	LS	MAL	CPA	MSEAL	RSEAL	72	71	-	-	68	67	66	65	64	-	62	61	-	-	-	-	-	-	-	SALEABLE		345650003		
											-	-	50	-	-	-	46	45	-	-	-	-	39	38	-	-	35	-	-					
															-	31	30	29	-	27	-	25	24	23	22	21	20	-	-				17	
MX123 CONN ASSY 73 CKT BLK OPT0 KEY A/54	345666843	C-HSG-A0	G-CAP-0-P	TPA-A0	RS	LS	MAL	CPA	MSEAL	RSEAL	-	-	-	-	-	67	-	-	-	-	62	-	-	59	58	-	-	55	-	-	SALEABLE		345650003	
											-	-	-	-	-	47	-	-	-	-	42	41	-	-	-	-	35	-	-					
															-	-	-	-	-	27	-	24	-	-	-	-	19	18	-					
MX123 CONN ASSY 73 CKT BLU OPT0 KEY C/43	345666853	C-HSG-C0	G-CAP-0-P	TPA-C0	RS	LS	MAL	CPA	MSEAL	RSEAL	72	71	70	-	68	-	-	65	-	63	-	-	-	59	58	-	56	-	-	53	SALEABLE		345650003	
											-	-	-	-	-	47	-	-	-	43	-	-	40	39	38	-	36	-	-					
															-	31	30	29	-	-	-	-	24	23	22	21	20	-	-	-				

ASSEMBLY DESCRIPTION	ASSEMBLY PART NUMBER	CONNECTOR HOUSING	GROMMET CAP	TPA	RIGHT SLIDE	LEFT SLIDE	MATE ASSIST LEVER	CPA	MAT SEAL	RING SEAL	BLOCKED TERMINALS																		STATUS	COMMENTS	INTEGRAL COMPONENTS SOLD SEPARATELY						
											CAVITY WITH A NUMBER INDICATES BLOCKED TERMINAL POSITION																				DRESS COVER						
											CAVITY WITHOUT A NUMBER INDICATES OPEN TERMINAL POSITION																										
MX123 CONN ASSY 73 CKT BLK OPT0 KEY A/54	345666863	C-HSG-A0	G-CAP-0-P	TPA-A0	RS	LS	MAL	CPA	MSEAL	RSEAL	-	-	-	-	-	67	-	-	-	-	-	62	-	-	59	58	-	-	55	-	-						
											-	-	-	-	-	47	-	-	-	-	-	41	-	-	-	-	-	-	35	-	-						
																						-	-	-	-	-	27	-	-	24	-	-	-	-	19	18	17
																						16	-	-	-	-	11	10	-	8	-	-	-	-	3	-	1
MX123 CONN ASSY 73 CKT GRY OPT9 KEY B/36	345666873	C-HSG-B9	G-CAP-9-P	TPA-B9	RS	LS	MAL	CPA	MSEAL	RSEAL	-	71	70	69	-	-	66	65	64	-	-	-	-	-	58	57	56	-	54	-							
											-	51	50	49	-	-	-	45	-	-	42	-	-	39	-	-	-	-	34	33							
																						32	31	-	29	28	-	26	25	24	23	22	21	-	-	-	-
																						-	-	-	13	12	-	10	9	-	7	6	5	-	3	2	-
MX123 CONN ASSY 73 CKT BLK OPT9 KEY A/37	345666883	C-HSG-A9	G-CAP-9-P	TPA-A9	RS	LS	MAL	CPA	MSEAL	RSEAL	-	71	-	69	68	-	66	65	64	-	62	61	-	-	-	-	-	54	53								
											-	-	50	49	-	-	-	45	44	-	-	41	-	-	-	-	-	-	34	33							
																						32	31	30	29	-	-	26	25	24	23	-	-	20	19	-	-
																						16	15	14	13	-	-	10	-	8	-	6	-	4	3	-	-
MX123 CONN ASSY 73 CKT GRY OPT0 KEY B/66	345666893	C-HSG-B0	G-CAP-0-P	TPA-B0	RS	LS	MAL	CPA	MSEAL	RSEAL	-	-	-	-	-	-	-	-	-	-	-	-	-	-	58	-	-	-	54	53							
											-	-	-	-	-	-	-	-	-	-	42	-	-	-	-	-	-	-	-	-							
																						-	-	-	-	-	27	-	25	-	-	-	-	-	-	-	-
																						-	-	-	-	-	-	10	-	-	-	-	-	-	-	-	-
MX123 CONN ASSY 73 CKT GRY OPT0 KEY B/55	345666903	C-HSG-B0	G-CAP-0-P	TPA-B0	RS	LS	MAL	CPA	MSEAL	RSEAL	72	71	70	69	68	67	66	65	-	63	62	61	60	-	58	-	56	-	54	-							
											52	51	50	-	-	47	-	45	44	43	42	41	40	-	38	-	36	-	34	-							
																						-	31	30	-	28	27	26	25	24	-	22	-	20	19	-	17
																						16	15	14	13	12	11	10	9	8	-	6	5	4	3	2	1
MX123 CONN ASSY 73 CKT BLK OPT9 KEY A/63	345666913	C-HSG-A9	G-CAP-9-P	TPA-A9	RS	LS	MAL	CPA	MSEAL	RSEAL	-	-	-	-	-	-	-	-	-	-	62	61	-	-	-	-	-	-	53								
											-	-	-	-	-	-	-	-	-	-	-	41	-	-	-	-	-	-	-	33							
																						-	-	-	-	-	-	-	24	-	-	-	-	19	-	-	
																						-	-	-	-	-	-	10	-	8	-	-	-	-	3	-	-
MX123 CONN ASSY 73 CKT BLU OPT9 KEY C/56	345666923	C-HSG-C9	G-CAP-9-P	TPA-C9	RS	LS	MAL	CPA	MSEAL	RSEAL	-	-	-	-	68	-	-	-	-	63	62	-	-	59	-	-	-	55	-	53							
											-	-	-	-	-	-	-	-	-	43	42	-	40	-	-	-	36	35	-	-							
																						-	-	-	-	-	-	-	-	-	-	-	-	20	19	-	-
																						-	-	-	-	-	-	-	-	-	-	-	-	4	3	2	1
MX123 CONN ASSY 73 CKT GRY OPT9 KEY B/39	345666933	C-HSG-B9	G-CAP-9-P	TPA-B9	RS	LS	MAL	CPA	MSEAL	RSEAL	-	71	70	69	-	-	66	65	64	-	-	-	-	-	58	57	56	-	54	-							
											-	51	50	49	-	-	-	45	-	-	42	-	-	39	-	-	-	-	34	33							
																						32	31	-	29	28	-	26	25	24	23	-	-	-	-	-	-
																						-	-	-	13	12	-	10	9	-	7	-	5	-	3	2	-
MX123 CONN ASSY 73 CKT BLK OPT9 KEY A/51	345666943	C-HSG-A9	G-CAP-9-P	TPA-A9	RS	LS	MAL	CPA	MSEAL	RSEAL	-	-	-	-	-	67	-	-	-	-	62	-	-	59	58	-	-	55	-	-							
											-	-	-	-	-	47	-	-	-	-	-	-	-	-	-	-	-	35	-	-							
																						-	-	-	-	-	27	26	25	24	-	-	-	20	19	18	17
																						16	-	-	-	-	11	10	9	8	-	-	-	4	3	-	-
MX123 CONN ASSY 73 CKT BLK OPT0 KEY A/52	345666953	C-HSG-A0	G-CAP-0-P	TPA-A0	RS	LS	MAL	CPA	MSEAL	RSEAL	-	-	-	-	68	67	-	65	-	-	62	-	-	59	58	-	-	55	-	-							
											-	-	-	-	48	47	-	-	-	-	42	41	-	-	-	-	-	35	-	-							
																						-	-	-	-	-	27	-	-	24	-	-	-	-	19	18	17
																						-	-	-	-	-	11	10	-	8	-	-	-	-	3	-	-
MX123 CONN ASSY 73 CKT GRY OPT0 KEY B/24	345666963	C-HSG-B0	G-CAP-0-P	TPA-B0	RS	LS	MAL	CPA	MSEAL	RSEAL	-	71	-	69	-	-	66	65	64	63	-	-	60	59	58	57	56	-	54	53							
											-	51	50	49	-	-	-	45	44	-	42	41	-	39	38	37	36	35	34	33							
																						32	31	-	29	28	27	26	25	24	23	22	21	-	-	-	17
																						-	-	-	13	12	11	10	9	-	7	6	5	-	3	-	1
MX123 CONN ASSY 73 CKT BLU OPT0 KEY C/46	345666973	C-HSG-C0	G-CAP-0-P	TPA-C0	RS	LS	MAL	CPA	MSEAL	RSEAL	72	-	-	-	68	-	66	-	-	63	-	-	-	59	58	-	56	-	-	53							
											-	-	-	-	-	-	-	-	-	43	-	-	40	39	38	-	36	-	-	-							
																						-	31	30	29	-	-	-	-	24	23	22	21	20	-	-	-
																						-	-	-	-	-	-	-	-	-	-	-	6	5	4	3	2

ASSEMBLY DESCRIPTION	ASSEMBLY PART NUMBER	CONNECTOR HOUSING	GROMMET CAP	TPA	RIGHT SLIDE	LEFT SLIDE	MATE ASSIST LEVER	CPA	MAT SEAL	RING SEAL	BLOCKED TERMINALS																		STATUS	COMMENTS	INTEGRAL COMPONENTS SOLD SEPARATELY		
											CAVITY WITH A NUMBER INDICATES BLOCKED TERMINAL POSITION CAVITY WITHOUT A NUMBER INDICATES OPEN TERMINAL POSITION																				DRESS COVER		
MX123 CONN ASSY 73 CKT BLU OPT0 KEY C/36	345666983	C-HSG-C0	G-CAP-0-P	TPA-C0	RS	LS	MAL	CPA	MSEAL	RSEAL	72	-	70	-	68	-	66	-	-	63	-	61	-	59	58	-	56	55	-	53	SALEABLE		345650003
											-	-	-	49	-	-	-	-	-	43	-	41	40	39	38	-	36	35	-	-			
											-																						
MX123 CONN ASSY 73 CKT GRY OPT0 KEY B/43	345667003	C-HSG-B0	G-CAP-0-P	TPA-B0	RS	LS	MAL	CPA	MSEAL	RSEAL	72	71	70	69	68	-	-	65	64	63	62	61	60	-	58	-	-	-	54	-	SALEABLE		345650003
											52	51	-	-	-	-	46	45	44	43	42	41	40	-	38	-	-	-	34	-			
											-																						
MX123 CONN ASSY 73 CKT BLK OPT9 KEY A/44	345667013	C-HSG-A9	G-CAP-9-P	TPA-A9	RS	LS	MAL	CPA	MSEAL	RSEAL	72	-	-	-	68	67	66	65	-	-	-	-	-	-	-	-	-	-	-	SALEABLE		345650003	
											-	-	-	-	48	47	46	-	-	-	-	40	-	38	-	-	35	-	33				
											-																						
MX123 CONN ASSY 73 CKT BLK OPT0 KEY A/51	345667023	C-HSG-A0	G-CAP-0-P	TPA-A0	RS	LS	MAL	CPA	MSEAL	RSEAL	-	-	-	-	-	67	-	-	-	63	62	-	-	59	58	-	-	55	-	-	SALEABLE		345650003
											-	-	-	-	-	47	-	-	-	42	41	-	-	-	-	35	-	-					
											-																						
MX123 CONN ASSY 73 CKT BLK OPT0 KEY A/41	345667033	C-HSG-A0	G-CAP-0-P	TPA-A0	RS	LS	MAL	CPA	MSEAL	RSEAL	72	71	-	-	68	67	66	-	64	-	-	-	-	59	-	-	-	-	-	SALEABLE		345650003	
											-	-	50	-	48	47	46	45	-	-	-	-	40	39	38	-	-	35	-				33
											-																						
MX123 CONN ASSY 73 CKT GRY OPT0 KEY B/24	345667043	C-HSG-B0	G-CAP-0-P	TPA-B0	RS	LS	MAL	CPA	MSEAL	RSEAL	-	71	70	69	-	-	66	65	64	-	-	-	-	-	58	57	56	-	54	53	SALEABLE		345650003
											-	51	50	49	48	47	-	45	44	-	42	-	-	39	38	37	36	35	34	33			
											-																						
MX123 CONN ASSY 73 CKT BLU OPT0 KEY C/39	345667053	C-HSG-C0	G-CAP-0-P	TPA-C0	RS	LS	MAL	CPA	MSEAL	RSEAL	72	-	70	-	68	-	66	-	-	63	-	-	-	59	58	-	56	55	-	53	SALEABLE		345650003
											-	-	-	-	-	-	-	-	-	43	-	-	40	39	38	-	36	35	-	-			
											-																						
MX123 CONN ASSY 73 CKT BLU OPT0 KEY C/35	345667063	C-HSG-C0	G-CAP-0-P	TPA-C0	RS	LS	MAL	CPA	MSEAL	RSEAL	-	71	-	69	-	-	-	65	64	-	-	61	60	-	58	-	56	55	54	-	SALEABLE		345650003
											-	-	50	49	-	-	-	45	-	43	42	41	-	-	38	37	36	35	-	-			
											-																						
MX123 CONN ASSY 73 CKT NAT OPT9 KEY F/17	345667073	C-HSG-F9	G-CAP-9-P	TPA-F9	RS	LS	MAL	CPA	MSEAL	RSEAL	72	71	70	-	-	67	66	65	64	63	62	61	60	59	-	-	56	55	54	53	SALEABLE		345650003
											52	51	50	49	48	47	46	45	44	-	-	41	40	39	-	-	36	35	34	-			
											-																						
MX123 CONN ASSY 73 CKT GRY OPT9 KEY B/13	345667083	C-HSG-B9	G-CAP-9-P	TPA-B9	RS	LS	MAL	CPA	MSEAL	RSEAL	72	71	70	69	68	67	66	65	64	63	62	61	60	59	58	57	56	55	54	53	SALEABLE		345650003
											52	51	50	49	48	47	46	45	44	43	42	41	40	39	38	37	36	35	34	33			
											-																						
MX123 CONN ASSY 73 CKT GRY OPT9 KEY B/49	345667093	C-HSG-B9	G-CAP-9-P	TPA-B9	RS	LS	MAL	CPA	MSEAL	RSEAL	-	-	-	-	-	-	-	-	-	-	62	61	60	-	58	57	56	55	54	-	SALEABLE		345650003
											-	-	-	-	-	-	-	-	-	-	42	41	40	-	38	37	36	35	-	-			
											-																						
MX123 CONN ASSY 73 CKT BLK OPT0 KEY A/25	345667103	C-HSG-A0	G-CAP-0-P	TPA-A0	RS	LS	MAL	CPA	MSEAL	RSEAL	-	-	-	-	-	-	-	65	-	-	-	61	-	-	58	57	56	-	-	-	SALEABLE		345650003
											-	51	50	-	-	47	46	45	-	-	-	41	-	-	38	37	36	-	-	-			
											-																						

ASSEMBLY DESCRIPTION	ASSEMBLY PART NUMBER	CONNECTOR HOUSING	GROMMET CAP	TPA	RIGHT SLIDE	LEFT SLIDE	MATE ASSIST LEVER	CPA	MAT SEAL	RING SEAL	BLOCKED TERMINALS																		STATUS	COMMENTS	INTEGRAL COMPONENTS SOLD SEPARATELY
											CAVITY WITH A NUMBER INDICATES BLOCKED TERMINAL POSITION																				DRESS COVER
											CAVITY WITHOUT A NUMBER INDICATES OPEN TERMINAL POSITION																				
MX123 CONN ASSY 73 CKT GRY OPT9 KEY B/8	345667133	C-HSG-B9	G-CAP-9-P	TPA-B9	RS	LS	MAL	CPA	MSEAL	RSEAL	72	71	70	69	68	67	66	65	64	63	62	61	60	59	-	57	56	55	-	-	
											52	51	50	49	48	47	46	45	44	43	-	41	40	39	38	37	36	35	34	33	
															32	31	30	29	28	-	26	-	24	23	22	21	20	19	18	17	
															16	15	14	13	12	11	-	9	8	7	6	5	4	3	2	1	
MX123 CONN ASSY 73 CKT BLK OPT0 KEY A/35	345667143	C-HSG-A0	G-CAP-0-P	TPA-A0	RS	LS	MAL	CPA	MSEAL	RSEAL	72	71	-	-	68	67	66	65	64	-	62	61	-	-	-	-	-	-	-	-	
											-	-	50	-	-	-	46	45	-	-	-	-	40	39	38	-	-	35	-	-	
															-	31	30	29	-	27	-	25	24	23	22	21	20	-	-	17	
															-	-	14	13	-	11	-	9	8	7	6	5	4	-	2	1	
MX123 CONN ASSY 73 CKT BLU OPT0 KEY C/45	345667153	C-HSG-C0	G-CAP-0-P	TPA-C0	RS	LS	MAL	CPA	MSEAL	RSEAL	-	71	-	69	-	67	-	65	64	-	-	61	60	-	-	-	56	55	54	-	
											-	-	50	-	-	-	45	-	43	-	41	-	-	38	-	-	35	-	-		
															-	31	-	29	28	27	-	-	23	-	-	20	-	-	-		
															16	-	-	13	12	11	-	-	-	7	-	-	-	3	-	-	
MX123 CONN ASSY 73 CKT BLK OPT0 KEY A/45	345667163	C-HSG-A0	G-CAP-0-P	TPA-A0	RS	LS	MAL	CPA	MSEAL	RSEAL	-	71	-	-	-	66	65	64	63	62	-	-	59	58	57	-	-	-	-		
											-	51	-	-	-	46	-	-	42	-	-	39	38	37	36	-	-	-	-		
															32	31	30	-	-	27	26	-	-	23	22	21	-	-	-	-	
															-	-	14	13	12	-	10	-	-	-	-	-	-	-	-	-	
MX123 CONN ASSY 73 CKT GRY OPT0 KEY B/23	345667173	C-HSG-B0	G-CAP-0-P	TPA-B0	RS	LS	MAL	CPA	MSEAL	RSEAL	72	71	70	69	-	-	-	-	-	62	61	60	59	-	57	56	-	54	53		
											52	51	50	49	48	47	-	-	44	-	42	41	40	39	-	37	36	35	-	33	
															-	31	-	-	-	26	25	24	23	-	21	20	19	18	-		
															-	15	14	13	12	11	-	9	8	7	6	5	4	3	2	1	
MX123 CONN ASSY 73 CKT GRY OPT0 KEY B/72	345667183	C-HSG-B0	G-CAP-0-P	TPA-B0	RS	LS	MAL	CPA	MSEAL	RSEAL	-	-	-	-	-	-	-	-	-	-	-	-	-	-	-	-	-	-	-		
											-	-	-	-	-	-	-	-	-	-	-	-	-	-	-	-	-	-	-	-	
															-	-	-	-	-	-	-	-	-	23	-	-	-	-	-	-	
															-	-	-	-	-	-	-	-	-	-	-	-	-	-	-	-	
MX123 CONN ASSY 73 CKT BLK OPT0 KEY A/41	345667193	C-HSG-A0	G-CAP-0-P	TPA-A0	RS	LS	MAL	CPA	MSEAL	RSEAL	-	71	-	-	68	67	66	65	64	-	-	-	59	-	-	-	-	-	-		
											-	-	50	-	48	47	46	45	-	-	-	-	40	39	38	-	-	35	-	33	
															-	31	30	-	-	-	25	24	23	22	21	20	-	-	-		
															-	-	14	-	-	-	9	8	7	6	5	4	-	-	-		
MX123 CONN ASSY 73 CKT GRY OPT0 KEY B/25	345667203	C-HSG-B0	G-CAP-0-P	TPA-B0	RS	LS	MAL	CPA	MSEAL	RSEAL	-	-	-	-	-	-	-	-	-	-	61	-	-	58	57	56	-	-	-		
											-	51	50	-	-	47	46	45	-	-	-	41	40	-	38	37	36	-	-	-	
															-	31	30	-	28	-	26	25	-	-	22	21	-	-	-	-	
															-	15	14	-	-	-	10	-	-	-	-	-	-	-	-	-	
MX123 CONN ASSY 73 CKT BLK OPT0 KEY A/30	345667213	C-HSG-A0	G-CAP-0-P	TPA-A0	RS	LS	MAL	CPA	MSEAL	RSEAL	72	71	-	-	68	67	66	65	64	-	62	61	60	59	-	57	-	55	-	53	
											-	-	50	-	48	-	46	45	-	-	-	-	40	-	38	37	-	35	-	33	
															-	31	30	29	-	27	-	25	24	23	22	21	20	-	-	-	
															-	15	14	13	-	11	-	9	8	7	6	5	4	-	-	-	
MX123 CONN ASSY 73 CKT BLU OPT0 KEY C/41	345667223	C-HSG-C0	G-CAP-0-P	TPA-C0	RS	LS	MAL	CPA	MSEAL	RSEAL	-	71	-	69	-	67	-	65	64	-	-	61	60	-	58	-	56	55	54	-	
											-	-	50	49	-	-	-	45	-	43	-	41	-	-	38	-	-	35	-	-	
															-	31	-	29	28	27	-	-	-	23	-	-	-	19	18	17	
															16	-	-	-	12	11	-	-	-	7	-	-	-	3	-	1	
MX123 CONN ASSY 73 CKT BLK OPT9 KEY A/29	345667233	C-HSG-A9	G-CAP-9-P	TPA-A9	RS	LS	MAL	CPA	MSEAL	RSEAL	-	71	70	69	68	67	66	65	64	63	-	-	60	59	58	-	-	-	-	53	
											-	-	50	49	48	47	-	-	44	-	42	41	-	39	38	-	36	-	-	33	
															-	31	-	-	28	27	26	-	24	23	22	21	-	19	18	17	
															-	-	14	-	12	-	-	-	8	7	6	5	-	3	2	1	
MX123 CONN ASSY 73 CKT BLK OPT9 KEY A/33	345667243	C-HSG-A9	G-CAP-9-P	TPA-A9	RS	LS	MAL	CPA	MSEAL	RSEAL	-	71	70	69	68	67	66	65	64	63	-	-	60	59	-	-	-	-	53		
											-	-	50	49	-	47	-	-	44	-	42	-	-	39	38	-	36	-	-	33	
															-	31	-	-	28	27	26	-	24	23	22	21	-	19	18	17	
															-	-	14	-	12	-	-	-	8	7	6	5	-	-	2	1	

ASSEMBLY DESCRIPTION	ASSEMBLY PART NUMBER	CONNECTOR HOUSING	GROMMET CAP	TPA	RIGHT SLIDE	LEFT SLIDE	MATE ASSIST LEVER	CPA	MAT SEAL	RING SEAL	BLOCKED TERMINALS																				STATUS	COMMENTS	INTEGRAL COMPONENTS SOLD SEPARATELY
											CAVITY WITH A NUMBER INDICATES BLOCKED TERMINAL POSITION																						DRESS COVER
											CAVITY WITHOUT A NUMBER INDICATES OPEN TERMINAL POSITION																						
MX123 CONN ASSY 73 CKT GRY OPT0 KEY B/19	345667253	C-HSG-B0	G-CAP-0-P	TPA-B0	RS	LS	MAL	CPA	MSEAL	RSEAL	-	71	70	69	68	67	66	65	64	63	-	-	60	59	58	57	56	55	54	53	SALEABLE		345650003
											-	51	50	49	-	-	-	45	-	-	42	-	-	39	38	37	36	35	34	33			
															32	31	-	29	28	27	26	25	24	23	22	21	-	-	-	17			
MX123 CONN ASSY 73 CKT BLU OPT0 KEY C/34	345667263	C-HSG-C0	G-CAP-0-P	TPA-C0	RS	LS	MAL	CPA	MSEAL	RSEAL	72	71	70	-	68	-	-	65	-	63	-	61	-	59	58	-	56	55	-	53	SALEABLE		345650003
											-	-	-	49	-	47	-	-	-	43	-	41	40	39	38	-	36	35	-	-			
															32	31	30	29	-	-	-	25	24	23	22	21	20	19	-	17			
MX123 CONN ASSY 73 CKT BLU OPT0 KEY C/39	345667273	C-HSG-C0	G-CAP-0-P	TPA-C0	RS	LS	MAL	CPA	MSEAL	RSEAL	72	71	70	-	68	-	-	65	-	63	-	61	-	59	58	-	56	-	-	53	SALEABLE		345650003
											-	-	-	49	-	47	-	-	-	43	-	41	40	39	38	-	36	-	-	-			
															32	31	30	29	-	-	-	25	24	23	22	21	20	-	-	-			
MX123 CONN ASSY 73 CKT BLU OPT0 KEY C/35	345667283	C-HSG-C0	G-CAP-0-P	TPA-C0	RS	LS	MAL	CPA	MSEAL	RSEAL	72	71	70	-	68	-	-	65	-	63	62	-	-	59	58	-	56	55	-	53	SALEABLE		345650003
											-	-	-	-	-	47	-	-	-	43	42	-	40	39	38	-	36	35	-	-			
															32	31	30	29	-	-	26	-	24	23	22	21	20	19	-	17			
MX123 CONN ASSY 73 CKT BLK OPT9 KEY A/49	345667293	C-HSG-A9	G-CAP-9-P	TPA-A9	RS	LS	MAL	CPA	MSEAL	RSEAL	-	-	-	-	-	-	-	-	-	-	62	61	60	-	58	57	56	55	54	-	SALEABLE		345650003
											-	-	-	-	-	-	-	-	-	-	42	41	40	-	38	37	36	35	-	-			
															-	-	-	-	-	-	-	-	-	-	22	21	20	19	18	-			
MX123 CONN ASSY 73 CKT GRY OPT0 KEY B/49	345667303	C-HSG-B0	G-CAP-0-P	TPA-B0	RS	LS	MAL	CPA	MSEAL	RSEAL	72	71	70	-	67	-	65	64	63	62	61	60	-	58	57	56	-	54	-	SALEABLE		345650003	
											52	51	50	-	47	-	45	-	43	42	41	40	-	38	-	36	-	34	-				
															32	31	30	-	-	27	26	25	24	-	22	-	20	19	-				-
MX123 CONN ASSY 73 CKT GRY OPT0 KEY B/22	345667313	C-HSG-B0	G-CAP-0-P	TPA-B0	RS	LS	MAL	CPA	MSEAL	RSEAL	-	71	70	69	68	-	66	65	64	63	-	-	60	59	58	57	56	-	54	53	SALEABLE		345650003
											-	51	50	49	-	-	-	45	44	-	42	41	-	39	38	37	36	35	34	33			
															32	31	-	29	28	27	26	25	24	23	-	-	-	-	-	17			
MX123 CONN ASSY 73 CKT GRY OPT9 KEY B/66	345667333	C-HSG-B9	G-CAP-9-P	TPA-B9	RS	LS	MAL	CPA	MSEAL	RSEAL	-	-	-	-	-	-	-	-	-	-	-	-	-	58	-	-	-	54	53	SALEABLE		345650003	
											-	-	-	-	-	-	-	-	-	-	42	-	-	-	-	-	-	-	-				-
															-	-	-	-	-	27	-	25	-	-	-	-	-	-	-				-
MX123 CONN ASSY 73 CKT GRY OPT9 KEY B/33	345667343	C-HSG-B9	G-CAP-9-P	TPA-B9	RS	LS	MAL	CPA	MSEAL	RSEAL	72	71	70	69	-	-	66	65	-	-	62	61	60	-	-	57	56	-	-	53	SALEABLE		345650003
											52	51	50	49	48	47	-	-	-	-	42	41	40	-	-	37	36	-	34	33			
															-	31	-	-	-	-	26	25	24	-	-	21	20	-	18	-			
MX123 CONN ASSY 73 CKT BLU OPT9 KEY C/40	345667353	C-HSG-C9	G-CAP-9-P	TPA-C9	RS	LS	MAL	CPA	MSEAL	RSEAL	72	71	70	-	68	-	-	65	-	63	-	61	-	59	58	-	56	-	-	53	SALEABLE		345650003
											-	-	-	49	-	-	-	-	-	43	-	41	40	39	38	-	36	-	-	-			
															-	31	30	29	-	-	-	25	24	23	22	21	20	-	-	-			
MX123 CONN ASSY 73 CKT GRY OPT0 KEY B/24	345667363	C-HSG-B0	G-CAP-0-P	TPA-B0	RS	LS	MAL	CPA	MSEAL	RSEAL	-	71	-	69	-	67	66	65	64	63	-	-	-	-	58	57	56	-	54	53	SALEABLE		345650003
											-	51	50	49	48	47	-	45	-	-	42	-	-	39	38	37	36	35	34	33			
															32	31	30	29	28	27	26	25	24	23	22	21	-	-	-	-			
MX123 CONN ASSY 73 CKT BLK OPT0 KEY A/52	345667373	C-HSG-A0	G-CAP-0-P	TPA-A0	RS	LS	MAL	CPA	MSEAL	RSEAL	-	-	-	-	-	67	-	-	-	63	62	-	-	59	58	-	-	55	-	-	SALEABLE		345650003
											-	-	-	-	-	47	-	-	-	-	41	-	-	-	-	-	35	-	-				
															32	-	-	-	-	27	-	-	24	-	-	-	-	19	18	17			

ASSEMBLY DESCRIPTION	ASSEMBLY PART NUMBER	CONNECTOR HOUSING	GROMMET CAP	TPA	RIGHT SLIDE	LEFT SLIDE	MATE ASSIST LEVER	CPA	MAT SEAL	RING SEAL	BLOCKED TERMINALS																				STATUS	COMMENTS	INTEGRAL COMPONENTS SOLD SEPARATELY	
											CAVITY WITH A NUMBER INDICATES BLOCKED TERMINAL POSITION																						DRESS COVER	
											CAVITY WITHOUT A NUMBER INDICATES OPEN TERMINAL POSITION																							
MX123 CONN ASSY 73 CKT BLU OPT0 KEY C/38	345667383	C-HSG-C0	G-CAP-0-P	TPA-C0	RS	LS	MAL	CPA	MSEAL	RSEAL	72	-	-	69	68	-	-	-	-	63	62	-	-	59	58	-	56	55	-	53	SALEABLE		345650003	
											-	-	-	-	-	-	46	-	-	43	42	-	40	39	38	-	36	35	-	-				
											-	-	-	-	-	31	30	29	-	-	26	-	24	23	22	21	20	19	18	-				-
MX123 CONN ASSY 73 CKT GRY OPT0 KEY B/19	345667393	C-HSG-B0	G-CAP-0-P	TPA-B0	RS	LS	MAL	CPA	MSEAL	RSEAL	-	71	70	69	68	67	66	65	64	63	-	-	60	59	58	57	56	-	54	53	SALEABLE		345650003	
											-	51	50	49	-	-	-	45	-	-	42	41	-	39	38	37	36	35	34	33				
											-	-	-	-	32	31	30	29	28	27	26	25	24	23	22	21	-	-	-	-				17
MX123 CONN ASSY 73 CKT GRY OPT0 KEY B/52	345667403	C-HSG-B0	G-CAP-0-P	TPA-B0	RS	LS	MAL	CPA	MSEAL	RSEAL	72	71	70	69	68	67	66	65	64	63	62	61	60	-	58	-	56	-	54	-	SALEABLE		345650003	
											52	51	-	-	-	47	-	45	44	43	42	41	40	-	38	-	36	-	34	-				
											-	-	-	-	32	31	30	-	28	27	26	25	24	-	22	-	20	19	18	17				-
MX123 CONN ASSY 73 CKT BLK OPT0 KEY A/53	345667413	C-HSG-A0	G-CAP-0-P	TPA-A0	RS	LS	MAL	CPA	MSEAL	RSEAL	-	-	-	-	-	67	-	-	-	-	62	-	-	59	58	-	-	55	-	-	SALEABLE		345650003	
											52	-	-	-	-	47	-	-	-	-	-	41	-	-	-	-	35	-	-	-				
											-	-	-	-	-	-	-	-	-	27	-	-	24	-	-	-	-	19	18	17				-
MX123 CONN ASSY 73 CKT BLU OPT0 KEY C/38	345667423	C-HSG-C0	G-CAP-0-P	TPA-C0	RS	LS	MAL	CPA	MSEAL	RSEAL	72	71	-	-	68	-	66	65	-	63	62	-	-	59	58	-	56	55	-	53	SALEABLE		345650003	
											-	-	-	-	-	-	-	-	-	43	42	-	40	39	38	-	36	35	-	-				
											-	-	-	-	-	31	30	29	-	-	26	-	24	23	22	21	20	19	-	-				-
MX123 CONN ASSY 73 CKT GRY OPT0 KEY B/31	345667433	C-HSG-B0	G-CAP-0-P	TPA-B0	RS	LS	MAL	CPA	MSEAL	RSEAL	-	71	70	69	-	67	66	65	64	63	-	-	-	-	58	57	56	-	54	53	SALEABLE		345650003	
											-	51	50	49	-	-	-	45	-	-	42	-	-	39	-	-	-	-	34	33				-
											-	-	-	-	32	31	-	29	28	27	26	25	24	23	22	21	-	-	-	-				-
MX123 CONN ASSY 73 CKT BLK OPT0 KEY A/50	345667443	C-HSG-A0	G-CAP-0-P	TPA-A0	RS	LS	MAL	CPA	MSEAL	RSEAL	-	-	-	-	-	67	-	-	-	-	62	61	-	59	58	-	-	55	-	53	SALEABLE		345650003	
											-	-	-	-	-	47	-	-	-	-	-	41	-	-	-	-	35	-	33	-				-
											-	-	-	-	32	-	-	-	-	27	-	-	24	-	-	-	-	19	18	17				-
MX123 CONN ASSY 73 CKT BLU OPT0 KEY C/41	345667453	C-HSG-C0	G-CAP-0-P	TPA-C0	RS	LS	MAL	CPA	MSEAL	RSEAL	72	-	-	69	68	-	-	-	-	63	62	-	-	59	-	-	56	55	-	53	SALEABLE		345650003	
											-	-	-	-	-	-	46	-	-	43	42	-	40	39	-	-	36	35	-	-				
											-	-	-	-	-	31	30	29	-	-	26	-	24	23	22	21	20	19	-	-				-
MX123 CONN ASSY 73 CKT GRY OPT0 KEY B/25	345667463	C-HSG-B0	G-CAP-0-P	TPA-B0	RS	LS	MAL	CPA	MSEAL	RSEAL	-	71	70	69	-	67	66	65	64	63	-	-	60	59	58	57	56	-	54	53	SALEABLE		345650003	
											-	51	50	49	-	-	-	45	44	-	42	41	-	39	38	37	36	35	34	33				-
											-	-	-	-	32	31	-	29	28	27	26	25	24	23	-	-	-	-	-	-				-
MX123 CONN ASSY 73 CKT GRY OPT0 KEY B/27	345667473	C-HSG-B0	G-CAP-0-P	TPA-B0	RS	LS	MAL	CPA	MSEAL	RSEAL	-	71	70	69	-	-	66	65	64	-	-	-	60	59	58	57	56	-	54	53	SALEABLE		345650003	
											-	51	50	49	-	-	-	45	44	-	42	41	-	39	38	37	36	35	34	33				-
											-	-	-	-	32	31	-	29	28	-	26	25	24	23	-	-	-	-	-	-				-
MX123 CONN ASSY 73 CKT GRY OPT0 KEY B/26	345667483	C-HSG-B0	G-CAP-0-P	TPA-B0	RS	LS	MAL	CPA	MSEAL	RSEAL	-	71	70	69	-	67	66	65	64	63	-	-	60	59	58	57	56	-	54	53	SALEABLE		345650003	
											-	51	50	49	-	-	-	45	44	-	42	41	-	39	38	37	36	35	34	33				-
											-	-	-	-	32	31	-	29	28	27	26	25	24	23	-	-	-	-	-	-				-
MX123 CONN ASSY 73 CKT BLU OPT0 KEY C/39	345667493	C-HSG-C0	G-CAP-0-P	TPA-C0	RS	LS	MAL	CPA	MSEAL	RSEAL	72	71	70	-	68	-	66	65	-	63	-	61	-	59	58	-	56	-	-	53	SALEABLE		345650003	
											-	-	-	49	-	-	-	-	-	43	-	41	40	39	38	-	36	-	-	-				-
											-	-	-	-	-	31	30	29	-	-	-	-	25	24	23	22	21	20	-	-				-

ASSEMBLY DESCRIPTION	ASSEMBLY PART NUMBER	CONNECTOR HOUSING	GROMMET CAP	TPA	RIGHT SLIDE	LEFT SLIDE	MATE ASSIST LEVER	CPA	MAT SEAL	RING SEAL	BLOCKED TERMINALS																				STATUS	COMMENTS	INTEGRAL COMPONENTS SOLD SEPARATELY	
											CAVITY WITH A NUMBER INDICATES BLOCKED TERMINAL POSITION																						DRESS COVER	
											CAVITY WITHOUT A NUMBER INDICATES OPEN TERMINAL POSITION																							
MX123 CONN ASSY 73 CKT GRY OPT0 KEY B/24	345667653	C-HSG-B0	G-CAP-0-P	TPA-B0	RS	LS	MAL	CPA	MSEAL	RSEAL	-	71	-	69	68	67	66	65	64	63	-	-	60	59	58	57	56	-	54	53	SALEABLE		345650003	
											-	51	50	49	-	-	-	45	44	-	42	41	-	39	38	37	36	35	34	33				
															32	31	-	29	28	27	26	25	24	23	-	-	-	-	-	-				17
															-	-	-	13	12	11	10	9	8	7	-	5	-	3	-	1				
MX123 CONN ASSY 73 CKT GRY OPT0 KEY B/36	345667663	C-HSG-B0	G-CAP-0-P	TPA-B0	RS	LS	MAL	CPA	MSEAL	RSEAL	-	71	-	69	-	67	66	65	64	63	-	-	-	-	58	57	56	-	54	53	SALEABLE		345650003	
											-	51	50	49	-	-	-	45	-	-	42	-	-	39	-	-	-	-	-	34				-
															32	31	-	29	28	27	26	25	24	23	-	-	-	-	-	-				-
															-	-	-	13	12	11	10	9	-	7	-	5	-	3	2	-				
MX123 CONN ASSY 73 CKT BLU OPT0 KEY C/46	345667673	C-HSG-C0	G-CAP-0-P	TPA-C0	RS	LS	MAL	CPA	MSEAL	RSEAL	72	-	-	-	68	-	-	-	-	63	62	-	-	-	-	56	55	-	53	SALEABLE		345650003		
											-	-	-	-	-	-	-	-	-	43	42	-	40	-	-	-	36	35	-				-	
															-	31	30	29	-	-	26	-	24	-	22	21	20	19	-				-	
															-	-	-	-	-	-	-	-	-	-	6	5	4	3	2				1	
MX123 CONN ASSY 73 CKT GRY OPT9 KEY B/67	345667683	C-HSG-B9	G-CAP-9-P	TPA-B9	RS	LS	MAL	CPA	MSEAL	RSEAL	-	-	-	-	-	-	-	-	-	-	-	-	-	-	58	-	-	-	54	53	SALEABLE		345650003	
											-	-	-	-	-	-	-	-	-	-	42	-	-	-	-	-	-	-	-	-				-
															-	-	-	-	-	27	-	-	-	-	-	-	-	-	-	-				-
															-	-	-	-	-	-	10	-	-	-	-	-	-	-	-	-				-
MX123 CONN ASSY 73 CKT BLK OPT9 KEY A/31	345667693	C-HSG-A9	G-CAP-9-P	TPA-A9	RS	LS	MAL	CPA	MSEAL	RSEAL	-	71	70	69	68	67	66	65	-	63	-	-	60	59	58	-	-	-	-	53	SALEABLE		345650003	
											-	-	50	49	48	47	-	-	44	-	42	41	-	39	38	-	36	-	-	33				
															-	31	-	-	28	-	26	-	24	23	22	21	-	19	18	17				
															-	-	14	-	12	-	-	-	8	7	6	5	-	3	2	1				
MX123 CONN ASSY 73 CKT BLK OPT0 KEY A/26	345667703	C-HSG-A0	G-CAP-0-P	TPA-A0	RS	LS	MAL	CPA	MSEAL	RSEAL	-	-	-	-	-	-	65	-	-	-	61	-	-	58	57	56	-	-	-	SALEABLE		345650003		
											-	51	50	-	-	47	46	45	-	-	-	41	-	-	38	37	36	-	-				-	
															-	31	30	-	28	-	26	25	-	-	22	21	20	-	-				-	
															-	15	14	-	-	-	10	-	-	-	-	-	-	-	-				-	-
MX123 CONN ASSY 73 CKT BLK OPT9 KEY A/35	345667713	C-HSG-A9	G-CAP-9-P	TPA-A9	RS	LS	MAL	CPA	MSEAL	RSEAL	-	71	70	69	68	67	66	65	-	63	-	-	60	59	-	-	-	-	53	SALEABLE		345650003		
											-	-	50	49	-	47	-	-	44	-	42	-	-	39	38	-	36	-	-				33	
															-	31	-	-	28	-	26	-	24	23	22	21	-	19	18				17	
															-	-	14	-	12	-	-	-	8	7	6	5	-	-	2				1	
MX123 CONN ASSY 73 CKT BLK OPT9 KEY A/30	345667723	C-HSG-A9	G-CAP-9-P	TPA-A9	RS	LS	MAL	CPA	MSEAL	RSEAL	-	71	70	69	68	67	66	65	-	63	-	-	60	59	58	-	-	-	-	SALEABLE		345650003		
											-	-	50	49	48	47	-	-	44	-	42	41	-	39	38	-	36	35	34				33	
															-	31	-	-	28	-	26	-	24	23	22	21	-	19	18				17	
															-	-	14	-	12	-	-	-	8	7	6	5	-	3	2				1	
MX123 CONN ASSY 73 CKT BLK OPT9 KEY A/34	345667733	C-HSG-A9	G-CAP-9-P	TPA-A9	RS	LS	MAL	CPA	MSEAL	RSEAL	-	71	70	69	68	67	66	65	-	63	-	-	60	59	-	-	-	-	SALEABLE		345650003			
											-	-	50	49	-	47	-	-	44	-	42	-	-	39	38	-	36	35				34	33	
															-	31	-	-	28	-	26	-	24	23	22	21	-	19				18	17	
															-	-	14	-	12	-	-	-	8	7	6	5	-	-				2	1	
MX123 CONN ASSY 73 CKT BLU OPT0 KEY C/45	345667743	C-HSG-C0	G-CAP-0-P	TPA-C0	RS	LS	MAL	CPA	MSEAL	RSEAL	-	71	-	69	-	-	-	65	64	-	-	61	60	-	58	-	56	55	54	-	SALEABLE		345650003	
											-	-	50	-	-	-	-	45	-	43	42	-	-	-	38	-	-	-	-	-				
															-	31	-	29	28	-	-	-	-	23	-	-	-	19	18	17				
															16	-	-	-	12	11	-	-	-	7	-	-	-	3	-	1				
MX123 CONN ASSY 73 CKT BLK OPT0 KEY A/51	345667753	C-HSG-A0	G-CAP-0-P	TPA-A0	RS	LS	MAL	CPA	MSEAL	RSEAL	72	-	-	-	-	-	66	65	-	-	-	-	-	-	-	-	-	-	SALEABLE		345650003			
											-	-	-	-	48	47	46	-	-	-	-	40	-	-	-	-	35	-				33		
															-	-	30	-	-	-	-	24	23	22	21	20	-	-				17		
															-	-	-	-	-	-	-	-	7	6	5	4	-	2				1		
MX123 CONN ASSY 73 CKT NAT OPT0 KEY F/1	345667763	C-HSG-F0	G-CAP-0-P	TPA-F0	RS	LS	MAL	CPA	MSEAL	RSEAL	72	71	70	69	68	67	66	65	64	63	62	61	60	59	58	57	56	55	54	53	SALEABLE		345650003	
											52	51	50	49	48	47	46	45	44	43	42	41	40	39	38	37	36	35	34	33				
															32	31	30	29	28	27	26	25	24	23	22	21	20	19	18	17				
															16	15	14	13	12	11	10	9	8	7	6	5	4	3	2	1				

ASSEMBLY DESCRIPTION	ASSEMBLY PART NUMBER	CONNECTOR HOUSING	GROMMET CAP	TPA	RIGHT SLIDE	LEFT SLIDE	MATE ASSIST LEVER	CPA	MAT SEAL	RING SEAL	BLOCKED TERMINALS																				STATUS	COMMENTS	INTEGRAL COMPONENTS SOLD SEPARATELY	
											CAVITY WITH A NUMBER INDICATES BLOCKED TERMINAL POSITION																						DRESS COVER	
											CAVITY WITHOUT A NUMBER INDICATES OPEN TERMINAL POSITION																							
MX123 CONN ASSY 73 CKT GRY OPT0 KEY B/25	345667773	C-HSG-B0	G-CAP-0-P	TPA-B0	RS	LS	MAL	CPA	MSEAL	RSEAL	-	71	-	69	68	-	66	65	64	-	-	-	-	-	58	57	56	55	54	53	SALEABLE		345650003	
											-	51	50	49	48	47	-	45	44	-	42	-	-	39	38	37	36	35	34	33				
															32	31	30	29	28	-	26	25	24	23	-	-	-	-	-	-				17
															-	15	-	13	12	-	10	9	8	7	-	5	-	3	2	1				
MX123 CONN ASSY 73 CKT BLK OPT0 KEY A/51	345667783	C-HSG-A0	G-CAP-0-P	TPA-A0	RS	LS	MAL	CPA	MSEAL	RSEAL	-	-	-	-	-	67	-	-	-	-	62	61	-	59	58	-	-	55	-	53	SALEABLE		345650003	
											-	-	-	-	-	47	-	-	-	-	-	-	-	-	-	-	-	35	-	33				
															-	-	-	-	-	27	-	-	24	-	-	-	20	19	18	17				
															16	-	-	-	-	11	10	-	8	-	-	-	4	3	-	-				
MX123 CONN ASSY 73 CKT BLK OPT0 KEY A/40	345667793	C-HSG-A0	G-CAP-0-P	TPA-A0	RS	LS	MAL	CPA	MSEAL	RSEAL	-	71	-	69	68	-	-	-	64	-	62	61	-	-	-	-	-	54	53	SALEABLE		345650003		
											-	-	50	-	-	-	-	-	44	-	-	41	-	-	-	-	-	-	34				33	
															32	31	30	29	-	-	26	25	24	-	-	-	20	19	-				-	
															16	15	14	13	-	-	10	-	8	7	6	5	4	3	-				-	
MX123 CONN ASSY 73 CKT BLK OPT0 KEY A/26	345667803	C-HSG-A0	G-CAP-0-P	TPA-A0	RS	LS	MAL	CPA	MSEAL	RSEAL	-	-	-	69	-	67	-	65	-	-	-	-	-	58	57	56	-	-	-	SALEABLE		345650003		
											-	51	50	-	-	47	-	45	-	-	-	41	-	-	38	37	36	-	-				-	
															-	31	30	-	-	-	26	25	-	-	22	21	20	-	-				-	
															-	15	-	-	-	-	10	-	-	-	-	5	4	-	-				-	
MX123 CONN ASSY 73 CKT BLK OPT0 KEY A/50	345667813	C-HSG-A0	G-CAP-0-P	TPA-A0	RS	LS	MAL	CPA	MSEAL	RSEAL	72	71	-	-	-	-	66	65	64	-	-	-	-	-	-	-	-	-	SALEABLE		345650003			
											-	-	-	-	48	47	46	45	-	-	-	-	-	-	-	-	-	35				-	33	
															-	31	30	-	-	-	-	24	23	22	-	20	-	-				17		
															-	-	-	-	-	-	-	-	-	7	6	-	4	-				2	1	
MX123 CONN ASSY 73 CKT GRY OPT0 KEY B/32	345667823	C-HSG-B0	G-CAP-0-P	TPA-B0	RS	LS	MAL	CPA	MSEAL	RSEAL	-	71	70	69	-	-	66	65	64	-	-	-	-	58	57	56	55	54	53	SALEABLE		345650003		
											-	51	50	49	-	-	-	45	-	-	42	-	-	39	-	-	-	-	34				33	
															32	31	-	29	28	-	26	25	24	23	22	21	-	-	-				17	
															-	15	-	13	12	-	10	9	-	7	6	5	-	3	2				-	
MX123 CONN ASSY 73 CKT GRY OPT0 KEY B/64	345667833	C-HSG-B0	G-CAP-0-P	TPA-B0	RS	LS	MAL	CPA	MSEAL	RSEAL	-	-	-	-	-	-	-	-	-	-	62	-	-	-	58	-	-	-	54	53	SALEABLE		345650003	
											-	-	-	-	-	-	-	-	-	-	42	-	-	-	-	-	-	-	-	-				
															-	-	-	-	-	27	-	-	-	-	-	-	-	-	-	-				
															-	-	-	-	-	11	10	9	-	-	-	-	-	-	-	-				
MX123 CONN ASSY 73 CKT BLU OPT9 KEY C/38	345667843	C-HSG-C9	G-CAP-9-P	TPA-C9	RS	LS	MAL	CPA	MSEAL	RSEAL	72	-	70	69	68	-	66	-	-	63	-	-	-	59	-	-	56	55	-	53	SALEABLE		345650003	
											-	-	-	-	-	-	46	-	-	43	-	-	40	39	-	-	36	35	-	-				
															32	31	30	29	-	-	-	-	24	23	22	21	20	19	-	17				
															-	-	-	-	-	-	-	-	8	7	6	5	4	3	2	1				
MX123 CONN ASSY 73 CKT BLU OPT9 KEY C/41	345667853	C-HSG-C9	G-CAP-9-P	TPA-C9	RS	LS	MAL	CPA	MSEAL	RSEAL	-	-	-	-	68	-	-	65	-	63	62	61	60	59	58	57	56	55	-	53	SALEABLE		345650003	
											-	-	-	-	48	-	-	45	-	43	42	41	40	-	-	37	36	35	34	33				
															32	31	-	-	-	-	-	-	-	-	-	20	19	18	-					
															-	-	-	-	-	-	-	-	-	-	-	-	4	3	2	1				
MX123 CONN ASSY 73 CKT BLU OPT9 KEY C/41	345667863	C-HSG-C9	G-CAP-9-P	TPA-C9	RS	LS	MAL	CPA	MSEAL	RSEAL	-	71	-	69	-	-	-	65	64	-	-	61	60	-	58	-	56	55	54	-	SALEABLE		345650003	
											-	-	50	49	-	-	-	45	-	43	42	41	-	-	38	-	-	-	-	-				
															-	31	-	29	28	-	-	-	-	23	-	-	20	19	18	17				
															16	-	-	13	12	11	-	-	-	7	-	-	-	3	-	1				
MX123 CONN ASSY 73 CKT BLK OPT9 KEY A/29	345667873	C-HSG-A9	G-CAP-9-P	TPA-A9	RS	LS	MAL	CPA	MSEAL	RSEAL	72	-	70	-	68	67	66	-	-	63	62	-	-	59	-	57	-	-	-	53	SALEABLE		345650003	
											52	51	-	49	48	47	46	-	44	-	-	41	40	39	-	37	36	-	34	33				
															32	-	30	-	-	27	26	25	24	-	22	21	20	-	-	-				
															-	15	14	13	-	-	10	9	8	7	6	5	4	-	2	-				
MX123 CONN ASSY 73 CKT BLK OPT9 KEY A/30	345667883	C-HSG-A9	G-CAP-9-P	TPA-A9	RS	LS	MAL	CPA	MSEAL	RSEAL	-	71	70	69	-	-	-	-	64	63	62	61	60	59	58	57	56	55	54	53	SALEABLE		345650003	
											52	51	50	49	-	-	46	45	44	43	42	41	-	39	-	37	36	-	34	-				
															32	-	-	29	28	27	26	-	-	-	-	-	-	-	18	-				
															16	15	14	13	12	11	10	-	-	-	-	-	-	3	-	-				

ASSEMBLY DESCRIPTION	ASSEMBLY PART NUMBER	CONNECTOR HOUSING	GROMMET CAP	TPA	RIGHT SLIDE	LEFT SLIDE	MATE ASSIST LEVER	CPA	MAT SEAL	RING SEAL	BLOCKED TERMINALS																STATUS	COMMENTS	INTEGRAL COMPONENTS SOLD SEPARATELY		
											CAVITY WITH A NUMBER INDICATES BLOCKED TERMINAL POSITION																		DRESS COVER		
											CAVITY WITHOUT A NUMBER INDICATES OPEN TERMINAL POSITION																				
MX123 CONN ASSY 73 CKT BLK OPT9 KEY A/51	345667893	C-HSG-A9	G-CAP-9-P	TPA-A9	RS	LS	MAL	CPA	MSEAL	RSEAL	-	-	-	-	-	67	-	-	-	-	62	-	-	59	58	-	-	55	-	-	
											-	-	-	-	-	47	-	-	-	-	41	-	-	-	-	35	-	-			
											-	-	-	-	-	27	26	25	24	-	-	-	-	19	18	17					
											-	-	-	-	-	11	10	9	8	-	-	-	-	3	-	1					
MX123 CONN ASSY 73 CKT GRY OPT0 KEY B/39	345667903	C-HSG-B0	G-CAP-0-P	TPA-B0	RS	LS	MAL	CPA	MSEAL	RSEAL	72	71	70	69	68	67	66	65	-	63	62	-	60	-	58	-	56	-	54	-	
											52	51	50	49	48	47	46	45	44	43	-	41	40	-	38	37	36	-	34	-	
											-	-	-	-	32	31	30	29	28	27	26	25	24	-	22	21	-	-	18	17	
											-	-	-	-	16	-	14	13	12	11	10	9	8	7	6	5	-	-	-	-	
MX123 CONN ASSY 73 CKT BLU OPT0 KEY C/37	345667923	C-HSG-C0	G-CAP-0-P	TPA-C0	RS	LS	MAL	CPA	MSEAL	RSEAL	72	-	-	-	69	68	-	66	65	-	63	62	-	-	59	58	-	56	55	-	53
											-	-	-	-	-	-	46	-	-	43	42	-	40	39	38	-	36	35	-	-	
											-	-	-	-	-	31	30	29	-	-	26	-	24	23	22	21	20	19	-	-	
											-	-	-	-	-	-	-	-	-	-	-	-	-	-	6	5	4	3	2	1	
MX123 CONN ASSY 73 CKT BLK OPT0 KEY A/50	345667933	C-HSG-A0	G-CAP-0-P	TPA-A0	RS	LS	MAL	CPA	MSEAL	RSEAL	-	-	-	-	-	67	-	-	-	-	62	-	-	59	58	-	-	55	-	-	
											-	-	-	-	-	47	-	-	-	-	42	41	-	-	-	-	35	-	-		
											-	-	-	-	-	27	26	25	24	-	-	-	-	19	18	17					
											-	-	-	-	-	11	10	9	8	-	-	-	-	3	-	1					
MX123 CONN ASSY 73 CKT GRY OPT0 KEY B/32	345667943	C-HSG-B0	G-CAP-0-P	TPA-B0	RS	LS	MAL	CPA	MSEAL	RSEAL	-	71	70	69	68	67	66	65	64	63	-	-	-	-	58	57	56	-	54	53	
											-	51	50	49	-	-	-	45	44	-	42	-	-	39	-	-	-	-	34	33	
											-	-	-	-	32	-	-	29	28	27	26	25	24	23	-	-	-	-	-	-	
											-	-	-	-	13	12	11	10	9	8	7	-	5	-	3	2	-				
MX123 CONN ASSY 73 CKT GRY OPT0 KEY B/32	345667953	C-HSG-B0	G-CAP-0-P	TPA-B0	RS	LS	MAL	CPA	MSEAL	RSEAL	-	71	70	69	68	67	66	65	64	63	-	-	-	-	58	57	56	-	54	53	
											-	51	50	49	-	-	-	45	44	-	42	-	-	39	-	-	-	-	34	33	
											-	-	-	-	32	-	-	29	28	27	26	25	24	23	-	-	-	-	-	-	
											-	-	-	-	13	12	11	10	9	8	7	-	5	-	3	2	-				
MX123 CONN ASSY 73 CKT BLK OPT9 KEY A/54	345667963	C-HSG-A9	G-CAP-9-P	TPA-A9	RS	LS	MAL	CPA	MSEAL	RSEAL	-	-	-	-	-	67	-	-	-	-	62	-	-	59	58	-	-	55	-	-	
											-	-	-	-	-	47	-	-	-	-	41	-	-	-	-	35	-	-			
											-	-	-	-	-	27	-	-	24	-	-	-	-	19	18	17					
											-	-	-	-	-	11	10	-	8	-	-	-	-	3	-	1					
MX123 CONN ASSY 73 CKT GRY OPT9 KEY B/36	345667973	C-HSG-B9	G-CAP-9-P	TPA-B9	RS	LS	MAL	CPA	MSEAL	RSEAL	-	71	70	69	68	67	66	65	64	63	-	-	-	-	58	57	56	-	54	53	
											-	51	-	-	-	-	-	-	44	-	42	-	-	39	-	-	-	-	-	33	
											-	-	-	-	32	31	-	-	28	27	26	25	24	23	-	-	-	-	-	-	
											-	-	-	-	13	12	11	10	9	8	7	-	5	-	3	2	-				
MX123 CONN ASSY 73 CKT GRY OPT9 KEY B/32	345667983	C-HSG-B9	G-CAP-9-P	TPA-B9	RS	LS	MAL	CPA	MSEAL	RSEAL	-	71	70	69	68	67	66	65	64	63	-	-	-	-	58	57	56	-	54	53	
											-	51	-	-	-	-	-	-	44	-	42	-	-	39	38	37	36	35	-	-	
											-	-	-	-	32	31	-	-	28	27	26	25	24	23	-	-	-	-	-	-	
											-	-	-	-	13	12	11	10	9	8	7	-	5	-	3	2	1				
MX123 CONN ASSY 73 CKT BLU OPT9 KEY C/39	345667993	C-HSG-C9	G-CAP-9-P	TPA-C9	RS	LS	MAL	CPA	MSEAL	RSEAL	72	71	-	-	68	-	-	65	-	63	62	-	-	59	58	-	56	55	-	53	
											-	-	-	-	-	-	-	-	-	43	42	-	40	39	38	-	36	35	-	-	
											-	-	-	-	-	31	30	29	-	-	26	-	24	23	22	21	20	19	-	-	
											-	-	-	-	-	-	-	-	-	-	-	-	-	-	6	5	4	3	2	1	
MX123 CONN ASSY 73 CKT BLK OPT0 KEY A/33	345668003	C-HSG-A0	G-CAP-0-P	TPA-A0	RS	LS	MAL	CPA	MSEAL	RSEAL	72	71	70	-	-	67	66	-	-	-	62	-	-	-	-	57	-	55	54	53	
											-	51	-	-	-	-	46	45	44	43	42	-	40	39	-	-	-	35	-	-	
											-	-	-	-	-	-	-	-	-	-	26	25	-	-	22	21	-	-	-	-	
											-	-	-	-	15	14	-	-	-	-	-	-	8	7	6	5	4	3	2	-	
MX123 CONN ASSY 73 CKT BLU OPT9 KEY C/38	345668013	C-HSG-C9	G-CAP-9-P	TPA-C9	RS	LS	MAL	CPA	MSEAL	RSEAL	72	-	70	69	68	-	66	-	-	63	62	-	-	-	58	-	56	55	-	53	
											-	-	-	49	-	-	46	-	-	43	42	-	40	-	38	-	36	35	-	-	
											-	-	-	-	-	31	30	29	-	-	26	-	24	-	22	21	20	19	-	17	
											-	-	-	-	-	-	-	-	-	-	-	-	-	-	6	5	4	3	2	1	

ASSEMBLY DESCRIPTION	ASSEMBLY PART NUMBER	CONNECTOR HOUSING	GROMMET CAP	TPA	RIGHT SLIDE	LEFT SLIDE	MATE ASSIST LEVER	CPA	MAT SEAL	RING SEAL	BLOCKED TERMINALS																		STATUS	COMMENTS	INTEGRAL COMPONENTS SOLD SEPARATELY
											CAVITY WITH A NUMBER INDICATES BLOCKED TERMINAL POSITION																				DRESS COVER
											CAVITY WITHOUT A NUMBER INDICATES OPEN TERMINAL POSITION																				
MX123 CONN ASSY 73 CKT BLU OPT9 KEY C/35	345668023	C-HSG-C9	G-CAP-9-P	TPA-C9	RS	LS	MAL	CPA	MSEAL	RSEAL	-	71	70	-	-	67	66	65	64	-	-	61	60	-	58	57	-	-	54	-	
											52	51	50	49	48	47	-	45	44	-	-	41	-	-	38	37	-	-	34	33	
															32	-	-	-	28	27	-	25	-	-	-	-	-	-	-	18	17
															16	15	14	13	12	11	10	9	-	-	-	-	-	-	-	-	-
MX123 CONN ASSY 73 CKT GRY OPT9 KEY B/39	345668033	C-HSG-B9	G-CAP-9-P	TPA-B9	RS	LS	MAL	CPA	MSEAL	RSEAL	72	-	-	-	68	-	-	-	-	-	62	61	60	59	-	-	-	55	-	53	
											52	-	-	-	48	47	46	-	44	43	-	41	40	-	38	37	36	35	-	-	
															-	-	30	-	-	-	-	-	-	-	22	21	20	19	18	17	
															16	15	14	-	-	-	-	-	8	-	6	-	4	-	-	-	1
MX123 CONN ASSY 73 CKT BLK OPT9 KEY A/28	345668043	C-HSG-A9	G-CAP-9-P	TPA-A9	RS	LS	MAL	CPA	MSEAL	RSEAL	72	71	70	69	68	-	66	65	64	63	-	-	60	-	-	57	56	-	54	-	
											52	51	50	49	48	-	46	45	44	43	-	41	40	39	38	37	36	-	34	-	
															32	31	30	29	28	-	-	-	-	23	22	21	-	-	-	-	-
															-	15	14	13	12	-	-	-	-	7	6	5	-	-	-	2	-
MX123 CONN ASSY 73 CKT BLK OPT9 KEY A/27	345668053	C-HSG-A9	G-CAP-9-P	TPA-A9	RS	LS	MAL	CPA	MSEAL	RSEAL	-	71	70	69	-	-	-	65	64	63	62	61	60	-	58	57	56	55	54	53	
											52	51	50	49	48	47	-	45	44	43	42	41	-	39	-	37	36	-	34	-	
															32	-	30	29	28	27	26	-	24	-	-	-	-	-	-	18	-
															16	15	14	13	12	11	10	-	-	-	-	-	-	-	3	-	-
MX123 CONN ASSY 73 CKT BLU OPT9 KEY C/30	345668063	C-HSG-C9	G-CAP-9-P	TPA-C9	RS	LS	MAL	CPA	MSEAL	RSEAL	72	-	70	-	68	67	66	-	-	63	62	-	-	59	-	57	-	-	-	53	
											52	51	-	49	48	47	46	-	44	-	-	41	40	39	-	37	36	-	34	33	
															32	-	30	-	-	27	26	25	24	-	22	21	20	-	-	-	-
															-	15	14	13	-	-	10	9	8	-	6	5	4	-	-	2	-
MX123 CONN ASSY 73 CKT GRY OPT9 KEY B/21	345668073	C-HSG-B9	G-CAP-9-P	TPA-B9	RS	LS	MAL	CPA	MSEAL	RSEAL	72	71	70	-	68	67	66	-	-	62	61	60	59	58	57	56	55	54	53		
											52	51	50	-	48	47	46	-	-	42	41	40	39	38	37	36	35	34	33		
															32	31	30	29	28	27	26	25	24	-	-	-	-	-	18	17	
															16	15	14	13	-	-	10	-	8	-	-	-	-	3	2	1	
MX123 CONN ASSY 73 CKT GRY OPT9 KEY B/11	345668083	C-HSG-B9	G-CAP-9-P	TPA-B9	RS	LS	MAL	CPA	MSEAL	RSEAL	72	71	70	69	68	67	66	65	64	63	-	61	60	-	-	57	56	55	-	-	
											52	51	50	49	48	47	46	45	44	43	-	41	40	-	38	37	36	35	34	33	
															32	31	30	29	28	-	26	25	24	23	22	21	20	19	18	17	
															16	15	14	13	12	11	-	-	8	7	6	5	4	3	2	1	
MX123 CONN ASSY 73 CKT BLK OPT9 KEY A/37	345668093	C-HSG-A9	G-CAP-9-P	TPA-A9	RS	LS	MAL	CPA	MSEAL	RSEAL	72	-	70	-	-	67	-	-	-	63	-	-	60	59	58	57	56	55	-	-	
											52	51	-	-	48	47	46	-	-	43	42	-	40	39	38	37	36	35	-	-	
															-	-	-	-	28	27	-	-	-	-	22	21	-	-	18	17	
															-	-	-	-	12	11	-	9	-	7	-	5	-	-	2	1	
MX123 CONN ASSY 73 CKT BLU OPT9 KEY C/34	345668113	C-HSG-C9	G-CAP-9-P	TPA-C9	RS	LS	MAL	CPA	MSEAL	RSEAL	72	71	70	69	-	67	66	65	64	-	-	-	-	-	-	56	-	54	-		
											52	51	50	49	-	47	46	45	44	-	-	-	-	39	38	-	-	-	34	-	
															-	31	30	29	28	-	26	25	-	23	22	21	-	-	-	17	
															16	15	14	13	12	-	-	9	-	7	6	-	-	-	-	-	
MX123 CONN ASSY 73 CKT BLU OPT0 KEY C/34	345668153	C-HSG-C0	G-CAP-0-P	TPA-C0	RS	LS	MAL	CPA	MSEAL	RSEAL	-	-	-	-	-	-	-	-	-	-	-	-	-	-	-	-	-	54	53		
											-	-	-	49	48	47	46	45	44	43	-	-	40	39	38	37	36	-	-	-	
															32	31	30	29	-	-	26	25	24	23	22	21	20	19	-	17	
															-	15	-	-	12	11	10	9	8	7	6	5	4	-	2	1	
MX123 CONN ASSY 73 CKT GRY OPT9 KEY B/36	345668163	C-HSG-B9	G-CAP-9-P	TPA-B9	RS	LS	MAL	CPA	MSEAL	RSEAL	72	71	70	69	-	-	66	65	-	-	62	61	60	-	-	57	56	-	-	53	
											52	51	50	49	48	-	-	-	-	-	42	41	40	-	-	37	36	-	34	33	
															-	-	-	-	-	-	26	25	24	-	-	21	20	-	18	-	
															16	-	14	-	-	-	-	-	8	7	-	5	-	3	2	-	
MX123 CONN ASSY 73 CKT GRY OPT0 KEY B/27	345668173	C-HSG-B0	G-CAP-0-P	TPA-B0	RS	LS	MAL	CPA	MSEAL	RSEAL	-	71	-	69	-	-	66	65	64	-	-	-	-	-	58	57	56	55	54	53	
											-	51	50	49	48	47	-	45	44	-	42	-	-	39	38	37	36	35	34	33	
															32	31	30	29	28	-	26	25	24	23	-	-	-	-	-	17	
															-	15	-	13	12	-	10	9	-	7	-	5	-	3	2	1	

ASSEMBLY DESCRIPTION	ASSEMBLY PART NUMBER	CONNECTOR HOUSING	GROMMET CAP	TPA	RIGHT SLIDE	LEFT SLIDE	MATE ASSIST LEVER	CPA	MAT SEAL	RING SEAL	BLOCKED TERMINALS																			STATUS	COMMENTS	INTEGRAL COMPONENTS SOLD SEPARATELY	
											CAVITY WITH A NUMBER INDICATES BLOCKED TERMINAL POSITION																					DRESS COVER	
											CAVITY WITHOUT A NUMBER INDICATES OPEN TERMINAL POSITION																						
MX123 CONN ASSY 73 CKT BLK OPT0 KEY A/42	345668203	C-HSG-A0	G-CAP-0-P	TPA-A0	RS	LS	MAL	CPA	MSEAL	RSEAL	72	71	-	69	68	-	-	65	64	63	62	61	60	59	-	57	-	-	-	53	SALEABLE		345650003
											52	51	50	49	48	-	46	45	-	-	-	-	40	-	38	-	-	35	-	33			
											-																						
											16 15 14 - 12 11 10 9 8 7 - - - - 2 -																						
MX123 CONN ASSY 73 CKT BLK OPT9 KEY A/22	345668223	C-HSG-A9	G-CAP-9-P	TPA-A9	RS	LS	MAL	CPA	MSEAL	RSEAL	-	71	70	69	68	67	66	65	64	63	-	-	60	-	58	-	56	-	54	53	SALEABLE		345650003
											-	-	50	49	48	47	46	45	44	43	42	41	-	39	38	-	36	35	34	33			
											-																						
											- 31 30 - 28 27 26 - 24 23 22 21 - 19 18 17																						
MX123 CONN ASSY 73 CKT BLK OPT9 KEY A/43	345668293	C-HSG-A9	G-CAP-9-P	TPA-A9	RS	LS	MAL	CPA	MSEAL	RSEAL	72	-	-	-	-	-	-	-	64	-	62	61	-	-	-	57	56	55	54	53	SALEABLE		345650003
											52	51	-	-	-	-	46	45	-	43	-	41	40	-	-	37	-	-	-				
											-																						
											32 - 30 29 - 27 - 25 - - - - 20 - - -																						
MX123 CONN ASSY 73 CKT BLK OPT0 KEY A/14	345668303	C-HSG-A0	G-CAP-0-P	TPA-A0	RS	LS	MAL	CPA	MSEAL	RSEAL	-	-	70	-	-	-	-	65	-	-	-	61	60	-	-	-	-	55	-	-	SALEABLE		345650003
											-	-	-	-	-	-	45	-	-	-	41	40	-	-	-	-	-	-	-				
											-																						
											16 - - - - - 10 - - - - -																						
MX123 CONN ASSY 73 CKT BLK OPT9 KEY A/41	345668313	C-HSG-A9	G-CAP-9-P	TPA-A9	RS	LS	MAL	CPA	MSEAL	RSEAL	72	-	-	-	68	-	-	-	64	-	62	61	-	-	-	57	56	55	54	53	SALEABLE		345650003
											52	51	-	-	-	-	46	45	-	43	-	40	-	-	37	-	-	-	-				
											-																						
											32 - 30 29 - 27 - 25 - - - - 20 - - -																						
MX123 CONN ASSY 73 CKT BLK OPT9 KEY A/38	345668323	C-HSG-A9	G-CAP-9-P	TPA-A9	RS	LS	MAL	CPA	MSEAL	RSEAL	72	-	-	-	-	-	-	-	64	-	62	61	-	59	58	57	56	55	54	-	SALEABLE		345650003
											52	51	-	-	48	-	46	45	-	43	-	41	40	-	-	37	-	35	34	-			
											-																						
											32 - 30 29 - 27 - 25 - - - - 20 - - -																						
MX123 CONN ASSY 73 CKT BLK OPT9 KEY A/42	345668333	C-HSG-A9	G-CAP-9-P	TPA-A9	RS	LS	MAL	CPA	MSEAL	RSEAL	72	-	-	-	-	-	-	-	64	-	62	61	-	59	-	57	56	55	54	-	SALEABLE		345650003
											52	51	-	-	-	-	46	45	-	43	-	40	-	-	37	-	35	34	-				
											-																						
											32 - 30 29 - 27 - 25 - - - - 20 - - -																						
MX123 CONN ASSY 73 CKT BLK OPT9 KEY A/40	345668343	C-HSG-A9	G-CAP-9-P	TPA-A9	RS	LS	MAL	CPA	MSEAL	RSEAL	72	-	-	-	-	-	-	-	64	-	62	61	-	-	58	57	56	55	54	53	SALEABLE		345650003
											52	51	-	-	48	-	46	45	-	43	-	41	40	-	-	37	-	-	-				
											-																						
											32 - 30 29 - 27 - 25 - - - - 20 - - -																						
MX123 CONN ASSY 73 CKT BLK OPT9 KEY A/31	345668353	C-HSG-A9	G-CAP-9-P	TPA-A9	RS	LS	MAL	CPA	MSEAL	RSEAL	-	71	70	69	68	67	66	65	-	63	-	-	60	59	58	-	-	-	-	-	SALEABLE		345650003
											-	-	50	49	48	47	-	-	44	-	42	-	-	39	38	-	36	35	34	33			
											-																						
											- 31 - - 28 - 26 - 24 23 22 21 - 19 18 17																						
MX123 CONN ASSY 73 CKT BLK OPT9 KEY A/33	345668363	C-HSG-A9	G-CAP-9-P	TPA-A9	RS	LS	MAL	CPA	MSEAL	RSEAL	-	71	70	69	-	67	66	65	-	63	-	-	60	59	58	-	-	-	-	-	SALEABLE		345650003
											-	-	50	49	48	47	-	-	44	-	42	41	-	39	38	-	36	35	34	33			
											-																						
											- 31 - - 28 - 26 - 24 23 22 21 - 19 18 17																						
MX123 CONN ASSY 73 CKT BLK OPT9 KEY A/36	345668373	C-HSG-A9	G-CAP-9-P	TPA-A9	RS	LS	MAL	CPA	MSEAL	RSEAL	-	71	70	69	68	67	66	65	-	63	-	-	60	-	-	-	-	-	53	SALEABLE		345650003	
											-	-	50	49	-	47	-	-	44	-	42	-	-	39	38	-	36	-	-				33
											-																						
											- 31 - - 28 - 26 - 24 23 22 21 - 19 18 17																						
MX123 CONN ASSY 73 CKT BLK OPT9 KEY A/32	345668383	C-HSG-A9	G-CAP-9-P	TPA-A9	RS	LS	MAL	CPA	MSEAL	RSEAL	-	71	70	69	68	67	66	65	-	63	-	-	60	-	58	-	-	-	53	SALEABLE		345650003	
											-	-	50	49	48	47	-	-	44	-	42	41	-	39	38	-	36	-	-				33
											-																						
											- 31 - - 28 - 26 - 24 23 22 21 - 19 18 17																						

ASSEMBLY DESCRIPTION	ASSEMBLY PART NUMBER	CONNECTOR HOUSING	GROMMET CAP	TPA	RIGHT SLIDE	LEFT SLIDE	MATE ASSIST LEVER	CPA	MAT SEAL	RING SEAL	BLOCKED TERMINALS																		STATUS	COMMENTS	INTEGRAL COMPONENTS SOLD SEPARATELY
											CAVITY WITH A NUMBER INDICATES BLOCKED TERMINAL POSITION CAVITY WITHOUT A NUMBER INDICATES OPEN TERMINAL POSITION																				DRESS COVER
MX123 CONN ASSY 73 CKT BLK OPT0 KEY A/44	345668393	C-HSG-A0	G-CAP-0-P	TPA-A0	RS	LS	MAL	CPA	MSEAL	RSEAL	-	71	-	69	68	67	66	65	64	-	-	61	60	59	58	57	-	-	-	-	
											-	-	50	-	-	47	46	45	44	-	42	41	40	39	38	37	-	-	-	-	
															32	-	-	-	-	26	25	-	-	-	-	-	-	-	-	-	
											-	-	-	-	-	11	-	-	-	-	-	-	5	4	-	-	-	-			
MX123 CONN ASSY 73 CKT GRV OPT0 KEY B/48	345668403	C-HSG-B0	G-CAP-0-P	TPA-B0	RS	LS	MAL	CPA	MSEAL	RSEAL	72	71	70	69	68	67	66	-	-	63	62	61	60	-	58	-	56	-	54	-	
											52	51	-	-	-	47	-	45	44	43	42	41	40	-	38	-	36	-	34	-	
															-	31	30	-	28	27	26	25	-	-	22	-	20	19	18	17	
											16	-	14	13	12	11	10	9	8	-	-	-	-	-	-	2	1				
MX123 CONN ASSY 73 CKT BLK OPT0 KEY A/43	345668413	C-HSG-A0	G-CAP-0-P	TPA-A0	RS	LS	MAL	CPA	MSEAL	RSEAL	-	71	-	69	68	67	66	65	64	-	-	61	60	59	58	57	-	-	-	-	
											-	-	50	-	-	47	46	45	44	-	42	41	40	39	38	37	-	-	-	-	
															32	-	-	-	-	26	25	-	-	-	-	-	-	-	-	-	
											-	-	-	13	-	11	-	-	-	-	-	-	5	4	-	-	-	-			
MX123 CONN ASSY 73 CKT BLU OPT0 KEY C/36	345668423	C-HSG-C0	G-CAP-0-P	TPA-C0	RS	LS	MAL	CPA	MSEAL	RSEAL	72	71	70	-	68	-	66	65	-	63	-	-	-	59	58	-	56	55	-	53	
											-	-	-	-	-	47	-	-	-	43	-	-	40	39	38	-	36	35	-	-	
															32	31	30	29	-	-	-	-	24	23	22	21	20	19	18	17	
											-	-	-	-	-	-	-	-	-	-	-	-	6	5	4	3	2	1			
MX123 CONN ASSY 73 CKT BLU OPT0 KEY C/45	345668443	C-HSG-C0	G-CAP-0-P	TPA-C0	RS	LS	MAL	CPA	MSEAL	RSEAL	72	-	-	69	68	-	-	-	-	63	62	-	-	-	-	56	55	-	53		
											-	-	-	49	-	-	46	-	-	43	42	-	40	-	-	-	36	35	-	-	
															-	31	30	29	-	-	26	-	24	-	22	21	20	19	-	-	
											-	-	-	-	-	-	-	-	-	-	-	-	-	4	3	2	1				
MX123 CONN ASSY 73 CKT BLK OPT0 KEY A/48	345668453	C-HSG-A0	G-CAP-0-P	TPA-A0	RS	LS	MAL	CPA	MSEAL	RSEAL	-	-	-	-	-	67	-	-	-	-	62	61	-	59	58	-	-	55	-	53	
											-	-	-	-	-	47	-	-	-	-	41	-	-	-	-	-	35	-	33	-	
															-	-	-	-	-	27	26	25	24	-	-	-	-	19	18	17	
											16	-	-	-	-	11	10	9	8	-	-	-	-	-	3	-	1				
MX123 CONN ASSY 73 CKT GRV OPT0 KEY B/34	345668463	C-HSG-B0	G-CAP-0-P	TPA-B0	RS	LS	MAL	CPA	MSEAL	RSEAL	-	71	-	69	-	67	66	65	64	63	-	-	-	-	58	57	56	-	54	53	
											-	51	50	49	-	-	-	45	-	-	42	-	-	39	-	-	-	-	34	33	
															32	31	-	29	28	27	26	25	24	23	-	-	-	-	-	-	17
											-	-	-	13	12	11	10	9	-	7	-	5	-	3	2	-					
MX123 CONN ASSY 73 CKT BLU OPT0 KEY C/49	345668473	C-HSG-C0	G-CAP-0-P	TPA-C0	RS	LS	MAL	CPA	MSEAL	RSEAL	72	-	-	69	68	-	-	-	-	63	-	-	-	59	-	-	56	-	-	53	
											-	-	-	-	-	-	46	-	-	43	-	-	40	39	-	-	36	-	-	-	
															32	31	30	29	-	-	-	-	24	23	22	21	20	-	-	-	
											-	-	-	-	-	-	-	-	-	-	-	-	-	4	3	2	1				
MX123 CONN ASSY 73 CKT BLK OPT0 KEY A/51	345668483	C-HSG-A0	G-CAP-0-P	TPA-A0	RS	LS	MAL	CPA	MSEAL	RSEAL	-	-	-	-	-	67	-	-	-	-	62	-	-	59	58	-	-	55	-	-	
											-	-	-	-	-	47	-	-	-	-	41	-	-	-	-	-	35	-	-	-	
															-	-	-	-	-	27	26	25	24	-	-	-	-	19	18	17	
											16	-	-	-	-	11	10	9	8	-	-	-	-	-	3	-	1				
MX123 CONN ASSY 73 CKT GRV OPT0 KEY B/31	345668493	C-HSG-B0	G-CAP-0-P	TPA-B0	RS	LS	MAL	CPA	MSEAL	RSEAL	-	71	-	69	-	-	66	65	64	63	-	-	-	-	58	57	56	-	54	53	
											-	51	50	49	-	-	-	45	-	-	42	41	-	39	38	37	36	35	34	-	
															32	31	-	29	28	27	26	25	24	23	-	-	-	-	-	-	-
											-	-	-	13	12	11	10	9	-	7	-	5	-	3	2	1					
MX123 CONN ASSY 73 CKT GRV OPT0 KEY B/27	345668503	C-HSG-B0	G-CAP-0-P	TPA-B0	RS	LS	MAL	CPA	MSEAL	RSEAL	-	-	-	-	-	-	-	-	-	-	-	61	-	-	58	57	56	-	-	-	
											-	51	50	-	-	47	46	45	-	-	-	41	40	-	38	37	36	-	-	-	
															-	31	30	-	28	-	26	25	-	-	22	21	20	-	-	-	-
											16	15	14	-	-	-	10	-	-	-	-	-	-	-	-	-	-				
MX123 CONN ASSY 73 CKT BLK OPT9 KEY A/48	345668513	C-HSG-A9	G-CAP-9-P	TPA-A9	RS	LS	MAL	CPA	MSEAL	RSEAL	-	-	-	-	-	67	-	-	-	-	62	-	-	59	58	-	-	55	-	-	
											-	-	-	-	-	47	-	-	-	-	42	41	-	-	-	-	35	-	-	-	
															-	-	-	-	-	27	26	25	-	-	-	21	20	19	18	17	
											16	-	-	-	-	11	10	9	8	-	-	-	-	4	3	-	1				

ASSEMBLY DESCRIPTION	ASSEMBLY PART NUMBER	CONNECTOR HOUSING	GROMMET CAP	TPA	RIGHT SLIDE	LEFT SLIDE	MATE ASSIST LEVER	CPA	MAT SEAL	RING SEAL	BLOCKED TERMINALS																		STATUS	COMMENTS	INTEGRAL COMPONENTS SOLD SEPARATELY		
											CAVITY WITH A NUMBER INDICATES BLOCKED TERMINAL POSITION CAVITY WITHOUT A NUMBER INDICATES OPEN TERMINAL POSITION																				DRESS COVER		
MX123 CONN ASSY 73 CKT GRY OPT9 KEY B/27	345668523	C-HSG-B9	G-CAP-9-P	TPA-B9	RS	LS	MAL	CPA	MSEAL	RSEAL	-	71	-	69	-	67	66	65	64	63	-	-	60	59	58	57	56	-	54	53	SALEABLE		345650003
											-	51	50	49	-	-	-	45	44	-	42	41	-	39	38	37	36	35	34	33			
															32	31	-	29	28	27	26	25	24	23	-	-	-	-	-	-			
MX123 CONN ASSY 73 CKT BLU OPT9 KEY C/35	345668533	C-HSG-C9	G-CAP-9-P	TPA-C9	RS	LS	MAL	CPA	MSEAL	RSEAL	72	71	-	69	68	-	-	-	-	63	62	-	-	59	58	-	56	55	-	53	SALEABLE		345650003
											-	-	-	-	-	-	46	-	-	43	42	-	40	39	38	-	36	35	-	-			
															-	31	30	29	-	-	26	-	24	23	22	21	20	19	-	-			
MX123 CONN ASSY 73 CKT BLU OPT9 KEY C/35	345668543	C-HSG-C9	G-CAP-9-P	TPA-C9	RS	LS	MAL	CPA	MSEAL	RSEAL	72	-	70	-	68	-	-	-	-	63	62	61	-	59	58	-	56	55	-	53	SALEABLE		345650003
											-	-	-	-	-	-	-	-	-	43	42	41	40	39	38	-	36	35	-	-			
															-	31	30	29	-	-	26	25	24	23	22	21	20	19	18	17			
MX123 CONN ASSY 73 CKT GRY OPT0 KEY B/22	345668553	C-HSG-B0	G-CAP-0-P	TPA-B0	RS	LS	MAL	CPA	MSEAL	RSEAL	-	71	70	69	-	67	66	65	64	63	-	-	-	-	58	57	56	-	54	53	SALEABLE		345650003
											-	51	50	49	48	47	-	45	44	-	42	-	-	39	38	37	36	35	34	33			
															32	31	30	29	28	27	26	25	24	23	-	-	-	19	18	17			
MX123 CONN ASSY 73 CKT BLK OPT0 KEY A/35	345668563	C-HSG-A0	G-CAP-0-P	TPA-A0	RS	LS	MAL	CPA	MSEAL	RSEAL	-	71	-	69	68	-	66	65	64	-	62	61	-	-	-	-	-	54	53	SALEABLE		345650003	
											-	-	50	49	-	-	-	45	44	-	-	41	-	-	-	-	-	-	34				33
															32	31	30	29	-	27	26	25	24	23	-	-	20	19	-				-
MX123 CONN ASSY 73 CKT GRY OPT0 KEY B/59	345668573	C-HSG-B0	G-CAP-0-P	TPA-B0	RS	LS	MAL	CPA	MSEAL	RSEAL	-	-	-	-	-	-	-	-	-	-	62	-	-	-	58	-	-	-	54	53	SALEABLE		345650003
											-	-	-	-	-	-	-	-	-	-	42	-	-	-	-	-	-	-	34	-			
															-	-	-	-	-	27	-	25	-	-	-	-	-	-	18	17			
MX123 CONN ASSY 73 CKT BLU OPT0 KEY C/44	345668583	C-HSG-C0	G-CAP-0-P	TPA-C0	RS	LS	MAL	CPA	MSEAL	RSEAL	-	-	-	-	68	-	-	-	-	63	62	61	-	59	58	57	-	55	-	53	SALEABLE		345650003
											-	-	-	-	48	-	-	-	-	43	42	41	-	-	-	37	36	35	-	33			
															32	-	-	29	-	27	-	-	-	-	-	-	20	19	18	-			
MX123 CONN ASSY 73 CKT GRY OPT0 KEY B/32	345668593	C-HSG-B0	G-CAP-0-P	TPA-B0	RS	LS	MAL	CPA	MSEAL	RSEAL	-	71	70	69	-	67	66	65	64	63	-	-	-	-	58	57	56	-	54	53	SALEABLE		345650003
											-	51	50	49	-	-	-	45	44	-	42	-	-	39	-	-	-	-	34	33			
															32	31	-	29	28	27	26	25	24	23	-	-	-	-	-	17			
MX123 CONN ASSY 73 CKT BLK OPT0 KEY A/47	345668603	C-HSG-A0	G-CAP-0-P	TPA-A0	RS	LS	MAL	CPA	MSEAL	RSEAL	72	71	70	-	-	67	-	65	64	63	62	61	60	-	58	-	56	-	54	-	SALEABLE		345650003
											52	51	50	-	-	47	-	45	-	43	42	41	40	-	-	-	36	-	34	-			
															32	31	30	-	-	27	26	25	24	-	22	-	20	19	-	-			
MX123 CONN ASSY 73 CKT BLU OPT0 KEY C/43	345668613	C-HSG-C0	G-CAP-0-P	TPA-C0	RS	LS	MAL	CPA	MSEAL	RSEAL	72	-	-	69	68	-	-	-	-	63	62	-	-	-	-	56	55	-	53	SALEABLE		345650003	
											-	-	-	49	-	-	46	-	-	43	42	-	40	-	-	-	36	35	-				-
															-	31	30	29	-	-	26	-	24	-	22	21	20	19	-				-
MX123 CONN ASSY 73 CKT BLU OPT9 KEY C/31	345668623	C-HSG-C9	G-CAP-9-P	TPA-C9	RS	LS	MAL	CPA	MSEAL	RSEAL	72	71	70	69	-	67	66	-	64	-	-	-	60	-	-	-	-	54	-	SALEABLE		345650003	
											52	51	50	49	-	47	46	-	44	-	-	-	40	39	38	-	-	-	-				-
															-	-	30	29	28	27	26	25	24	23	22	21	-	-	-				17
MX123 CONN ASSY 73 CKT GRY OPT0 KEY B/22	345668633	C-HSG-B0	G-CAP-0-P	TPA-B0	RS	LS	MAL	CPA	MSEAL	RSEAL	-	71	70	69	68	67	66	65	64	63	-	-	60	59	58	57	56	55	54	53	SALEABLE		345650003
											-	51	50	49	-	-	-	45	44	-	42	41	-	39	38	37	36	35	34	33			
															32	31	-	29	28	27	26	25	24	23	-	-	-	-	-	-			

ASSEMBLY DESCRIPTION	ASSEMBLY PART NUMBER	CONNECTOR HOUSING	GROMMET CAP	TPA	RIGHT SLIDE	LEFT SLIDE	MATE ASSIST LEVER	CPA	MAT SEAL	RING SEAL	BLOCKED TERMINALS																				STATUS	COMMENTS	INTEGRAL COMPONENTS SOLD SEPARATELY
											CAVITY WITH A NUMBER INDICATES BLOCKED TERMINAL POSITION																						DRESS COVER
											CAVITY WITHOUT A NUMBER INDICATES OPEN TERMINAL POSITION																						
MX123 CONN ASSY 73 CKT BLU OPT0 KEY C/37	345668643	C-HSG-C0	G-CAP-0-P	TPA-C0	RS	LS	MAL	CPA	MSEAL	RSEAL	72	-	-	69	68	-	-	65	-	63	62	-	-	59	58	-	56	55	-	53	SALEABLE		345650003
											-	-	-	-	-	47	46	-	-	43	42	-	40	39	38	-	36	35	-	-			
											-	-	-	-	-	31	30	29	-	-	26	-	24	23	22	21	20	19	-	-			
MX123 CONN ASSY 73 CKT BLU OPT9 KEY C/36	345668653	C-HSG-C9	G-CAP-9-P	TPA-C9	RS	LS	MAL	CPA	MSEAL	RSEAL	72	-	70	-	68	-	-	-	-	62	-	-	59	58	-	56	55	54	53	SALEABLE		345650003	
											-	-	-	49	-	-	-	-	44	-	42	-	40	39	38	-	36	35	-				-
											-	-	-	-	32	31	30	29	-	-	26	-	24	23	22	21	20	19	18				17
MX123 CONN ASSY 73 CKT GRY OPT0 KEY B/46	345668663	C-HSG-B0	G-CAP-0-P	TPA-B0	RS	LS	MAL	CPA	MSEAL	RSEAL	-	-	-	-	68	67	66	65	-	-	62	-	-	59	-	-	-	54	53	SALEABLE		345650003	
											-	-	-	-	48	47	46	45	44	-	42	41	40	39	-	-	-	35	34				-
											-	-	-	-	31	-	-	-	27	-	-	-	-	-	-	-	-	19	18				17
MX123 CONN ASSY 73 CKT NAT OPT0 KEY F/45	345668673	C-HSG-F0	G-CAP-0-P	TPA-F0	RS	LS	MAL	CPA	MSEAL	RSEAL	-	71	-	69	-	-	-	65	64	-	-	61	60	-	58	-	56	55	54	-	SALEABLE		345650003
											-	-	50	-	-	-	-	45	-	43	42	-	-	-	38	-	-	-	-	-			
											-	-	-	-	31	-	29	28	-	-	-	-	-	23	-	-	-	19	18	17			
MX123 CONN ASSY 73 CKT GRY OPT0 KEY B/45	345668683	C-HSG-B0	G-CAP-0-P	TPA-B0	RS	LS	MAL	CPA	MSEAL	RSEAL	-	71	-	69	-	-	-	65	64	-	-	61	60	-	58	-	56	55	54	-	SALEABLE		345650003
											-	-	50	-	-	-	-	45	-	43	42	-	-	-	38	-	-	-	-	-			
											-	-	-	-	31	-	29	28	-	-	-	-	-	23	-	-	-	19	18	17			
MX123 CONN ASSY 73 CKT BLK OPT0 KEY A/45	345668693	C-HSG-A0	G-CAP-0-P	TPA-A0	RS	LS	MAL	CPA	MSEAL	RSEAL	-	71	-	69	-	-	-	65	64	-	-	61	60	-	58	-	56	55	54	-	SALEABLE		345650003
											-	-	50	-	-	-	-	45	-	43	42	-	-	-	38	-	-	-	-	-			
											-	-	-	-	31	-	29	28	-	-	-	-	-	23	-	-	-	19	18	17			
MX123 CONN ASSY 73 CKT GRY OPT0 KEY B/42	345668703	C-HSG-B0	G-CAP-0-P	TPA-B0	RS	LS	MAL	CPA	MSEAL	RSEAL	72	71	70	-	-	67	-	65	-	63	62	61	60	-	58	-	56	-	54	-	SALEABLE		345650003
											52	51	-	-	-	-	46	45	-	43	42	41	40	-	38	-	36	-	34	-			
											-	-	-	-	32	31	30	-	-	27	26	25	24	-	22	-	20	19	18	-			
MX123 CONN ASSY 73 CKT GRY OPT9 KEY B/46	345668713	C-HSG-B9	G-CAP-9-P	TPA-B9	RS	LS	MAL	CPA	MSEAL	RSEAL	-	-	-	-	68	67	66	65	-	-	62	-	-	59	-	-	-	54	53	SALEABLE		345650003	
											-	-	-	-	48	47	46	45	44	-	42	41	40	39	-	-	-	35	34				-
											-	-	-	-	31	-	-	-	27	-	-	-	-	-	-	-	-	19	18				17
MX123 CONN ASSY 73 CKT BLU OPT0 KEY C/36	345668723	C-HSG-C0	G-CAP-0-P	TPA-C0	RS	LS	MAL	CPA	MSEAL	RSEAL	72	-	-	69	68	67	-	65	-	63	62	-	-	59	58	-	56	55	-	53	SALEABLE		345650003
											-	-	-	-	-	47	46	-	-	43	42	-	40	39	38	-	36	35	-	-			
											-	-	-	-	-	31	30	29	-	-	26	-	24	23	22	21	20	19	-	-			
MX123 CONN ASSY 73 CKT BLK OPT0 KEY A/49	345668733	C-HSG-A0	G-CAP-0-P	TPA-A0	RS	LS	MAL	CPA	MSEAL	RSEAL	-	-	-	-	-	67	-	-	-	-	62	61	-	59	58	-	-	55	-	53	SALEABLE		345650003
											-	-	-	-	-	47	-	-	-	-	-	41	-	-	-	-	-	35	-	33			
											-	-	-	-	-	-	-	-	27	26	25	24	-	-	-	-	-	19	18	17			
MX123 CONN ASSY 73 CKT BLU OPT0 KEY C/41	345668743	C-HSG-C0	G-CAP-0-P	TPA-C0	RS	LS	MAL	CPA	MSEAL	RSEAL	-	-	-	-	68	-	-	65	-	63	62	61	60	59	58	57	56	55	-	53	SALEABLE		345650003
											-	-	-	-	48	-	-	45	-	43	42	41	40	-	-	37	36	35	34	33			
											-	-	-	-	32	31	-	-	-	-	-	-	-	-	-	-	20	19	18	-			
MX123 CONN ASSY 73 CKT GRY OPT0 KEY B/56	345668753	C-HSG-B0	G-CAP-0-P	TPA-B0	RS	LS	MAL	CPA	MSEAL	RSEAL	-	-	-	-	-	-	-	-	-	62	-	-	59	-	-	-	-	-	SALEABLE		345650003		
											-	-	-	-	-	-	-	-	-	42	41	-	39	38	-	-	-	-				-	-
											-	-	-	-	-	31	-	-	-	27	-	-	-	23	22	-	20	-				18	17

ASSEMBLY DESCRIPTION	ASSEMBLY PART NUMBER	CONNECTOR HOUSING	GROMMET CAP	TPA	RIGHT SLIDE	LEFT SLIDE	MATE ASSIST LEVER	CPA	MAT SEAL	RING SEAL	BLOCKED TERMINALS																				STATUS	COMMENTS	INTEGRAL COMPONENTS SOLD SEPARATELY
											CAVITY WITH A NUMBER INDICATES BLOCKED TERMINAL POSITION																						
											CAVITY WITHOUT A NUMBER INDICATES OPEN TERMINAL POSITION																						
MX123 CONN ASSY 73 CKT BLK OPT0 KEY A/29	345669013	C-HSG-A0	G-CAP-0-P	TPA-A0	RS	LS	MAL	CPA	MSEAL	RSEAL	72	71	70	-	-	67	66	-	-	-	-	-	-	59	58	57	56	55	54	53			
											52	51	50	-	-	47	46	-	-	-	-	-	-	39	-	37	36	35	-	33			
																32	31	30	29	28	27	26	-	-	-	-	21	-	-	18	17		
																16	15	14	13	12	11	10	-	8	7	-	-	-	3	2	1		
MX123 CONN ASSY 73 CKT GRY OPT0 KEY B/18	345669023	C-HSG-B0	G-CAP-0-P	TPA-B0	RS	LS	MAL	CPA	MSEAL	RSEAL	72	71	70	69	68	67	66	65	64	63	-	61	60	-	58	57	56	55	54	53			
											52	51	50	49	48	47	46	45	44	43	-	40	-	-	37	36	35	34	33				
																32	-	30	29	28	-	26	25	24	-	-	21	-	19	-	-		
																16	-	14	13	12	11	10	9	8	-	6	5	-	-	2	1		
MX123 CONN ASSY 73 CKT BLU OPT0 KEY C/43	345669033	C-HSG-C0	G-CAP-0-P	TPA-C0	RS	LS	MAL	CPA	MSEAL	RSEAL	-	71	-	69	68	-	66	65	64	-	62	61	-	-	-	-	-	54	53				
											-	-	-	-	48	-	-	-	-	43	42	41	40	-	-	37	36	35	-	33			
																32	-	-	-	-	27	-	-	-	-	-	-	20	19	18	-		
																-	-	-	-	-	11	10	-	-	-	-	-	4	3	2	1		
MX123 CONN ASSY 73 CKT BLU OPT0 KEY C/40	345669043	C-HSG-C0	G-CAP-0-P	TPA-C0	RS	LS	MAL	CPA	MSEAL	RSEAL	-	-	-	-	68	-	-	-	-	63	62	61	60	59	58	57	56	55	-	53			
											-	-	-	-	48	-	-	-	-	43	42	41	40	-	-	37	36	35	34	33			
																32	31	-	-	-	27	-	-	-	-	-	-	20	19	18	-		
																-	-	-	-	-	11	10	-	-	-	-	-	4	3	2	1		
MX123 CONN ASSY 73 CKT BLU OPT0 KEY C/49	345669053	C-HSG-C0	G-CAP-0-P	TPA-C0	RS	LS	MAL	CPA	MSEAL	RSEAL	-	-	-	-	-	67	-	-	-	63	62	-	-	59	58	-	-	55	-	-			
											-	-	-	-	-	47	-	-	-	-	-	41	-	-	-	-	-	35	-	-			
																32	-	-	-	-	27	26	25	24	-	-	-	-	19	18	17		
																16	-	-	-	-	11	10	9	8	-	-	-	-	3	-	1		
MX123 CONN ASSY 73 CKT GRY OPT0 KEY B/26	345669063	C-HSG-B0	G-CAP-0-P	TPA-B0	RS	LS	MAL	CPA	MSEAL	RSEAL	-	71	70	69	-	67	66	65	64	63	-	-	-	-	58	57	56	-	54	53			
											-	51	50	49	48	47	-	45	-	-	42	-	-	39	38	37	36	35	34	33			
																32	31	30	29	28	27	26	25	24	23	-	-	-	-	-	-		
																-	-	-	13	12	11	10	9	-	7	-	5	-	3	2	1		
MX123 CONN ASSY 73 CKT GRY OPT0 KEY B/64	345669073	C-HSG-B0	G-CAP-0-P	TPA-B0	RS	LS	MAL	CPA	MSEAL	RSEAL	-	-	-	-	-	-	-	-	-	-	62	-	-	-	58	-	-	-	54	53			
											-	-	-	-	-	-	-	-	-	-	42	-	-	-	-	-	-	-	-	-			
																-	-	-	-	-	27	-	25	-	-	-	-	-	-	-	-		
																-	-	-	-	-	11	10	-	-	-	-	-	-	-	-	-		
MX123 CONN ASSY 73 CKT BLK OPT0 KEY A/36	345669083	C-HSG-A0	G-CAP-0-P	TPA-A0	RS	LS	MAL	CPA	MSEAL	RSEAL	-	71	-	69	68	-	66	65	64	-	62	61	-	-	-	-	-	54	53				
											-	-	50	49	-	-	-	45	44	-	-	41	-	-	-	-	-	-	34	33			
																32	31	30	29	-	-	26	25	24	23	-	-	20	19	-	-		
																16	15	14	13	-	-	10	-	8	-	6	5	4	3	-	-		
MX123 CONN ASSY 73 CKT BLK OPT0 KEY A/35	345669093	C-HSG-A0	G-CAP-0-P	TPA-A0	RS	LS	MAL	CPA	MSEAL	RSEAL	-	71	-	69	68	-	66	65	64	-	62	61	-	-	-	-	-	54	53				
											-	-	50	49	-	-	-	45	44	-	-	41	-	-	-	-	-	-	34	33			
																32	31	30	29	-	-	26	25	24	23	-	-	20	19	-	-		
																16	15	14	13	-	-	10	-	8	7	6	5	4	3	-	-		
MX123 CONN ASSY 73 CKT BLK OPT0 KEY A/30	345669103	C-HSG-A0	G-CAP-0-P	TPA-A0	RS	LS	MAL	CPA	MSEAL	RSEAL	72	71	70	69	-	67	66	-	64	-	62	-	60	-	-	57	-	55	54	-			
											-	-	-	49	48	-	46	45	44	43	42	-	40	39	-	-	-	-	-	-			
																-	-	-	-	-	-	26	-	-	-	-	-	-	-	-	-		
																-	-	-	-	-	-	-	-	8	7	6	5	4	3	2	-		
MX123 CONN ASSY 73 CKT BLK OPT0 KEY A/50	345669113	C-HSG-A0	G-CAP-0-P	TPA-A0	RS	LS	MAL	CPA	MSEAL	RSEAL	-	-	-	-	-	67	-	-	-	63	62	-	-	59	58	-	-	55	-	-			
											-	-	-	-	-	47	-	-	-	-	-	41	-	-	-	-	-	35	-	-			
																32	-	-	-	-	27	26	25	24	-	-	-	-	19	18	17		
																16	-	-	-	-	11	-	9	8	-	-	-	-	3	-	1		
MX123 CONN ASSY 73 CKT NAT OPT9 KEY F/57	345669143	C-HSG-F9	G-CAP-9-P	TPA-F9	RS	LS	MAL	CPA	MSEAL	RSEAL	-	-	-	69	68	-	-	-	-	-	-	-	-	-	58	57	-	-	-				
											-	-	-	-	-	-	-	-	-	43	42	-	-	-	-	-	-	-	-	33			
																-	-	30	-	-	-	-	-	-	-	-	-	-	19	18	17		
																-	-	-	-	-	-	-	-	-	-	-	-	-	3	2	1		

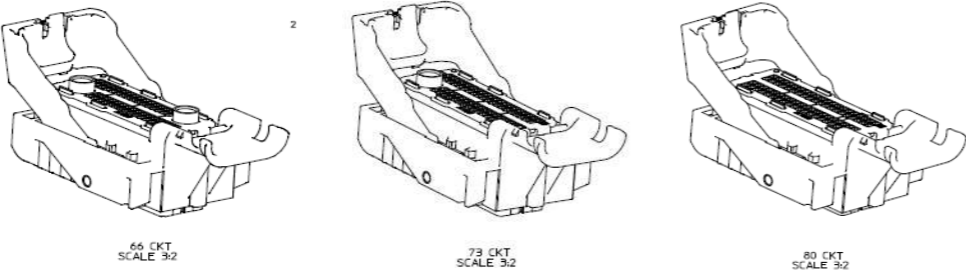
ASSEMBLY DESCRIPTION	ASSEMBLY PART NUMBER	CONNECTOR HOUSING	GROMMET CAP	TPA	RIGHT SLIDE	LEFT SLIDE	MATE ASSIST LEVER	CPA	MAT SEAL	RING SEAL	BLOCKED TERMINALS																				STATUS	COMMENTS	INTEGRAL COMPONENTS SOLD SEPARATELY
											CAVITY WITH A NUMBER INDICATES BLOCKED TERMINAL POSITION CAVITY WITHOUT A NUMBER INDICATES OPEN TERMINAL POSITION																						DRESS COVER
MX123 CONN ASSY 73 CKT GRY OPT9 KEY B/14	345669153	C-HSG-B9	G-CAP-9-P	TPA-B9	RS	LS	MAL	CPA	MSEAL	RSEAL	72	71	70	69	68	67	-	65	64	63	-	61	60	59	-	57	56	55	54	53	SALEABLE		345650003
											52	51	50	49	48	47	46	45	44	43	42	-	40	39	-	-	36	35	34	33			
											-	-	-	-	32	31	30	29	28	27	26	25	24	23	22	21	-	-	-	-			
MX123 CONN ASSY 73 CKT GRY OPT9 KEY B/30	345669163	C-HSG-B9	G-CAP-9-P	TPA-B9	RS	LS	MAL	CPA	MSEAL	RSEAL	72	71	70	69	-	-	-	-	64	63	-	61	-	-	58	57	56	55	-	-	SALEABLE		345650003
											52	51	50	49	-	-	-	-	-	43	-	-	-	38	37	36	-	-	33				
											-	-	-	-	32	-	30	29	28	-	26	25	24	23	22	21	20	-	-	-			
MX123 CONN ASSY 73 CKT GRY OPT0 KEY B/12	345669173	C-HSG-B0	G-CAP-0-P	TPA-B0	RS	LS	MAL	CPA	MSEAL	RSEAL	72	71	70	69	68	67	66	-	64	63	-	61	60	59	-	57	56	55	54	53	SALEABLE		345650003
											52	51	50	49	48	47	46	45	44	43	42	-	40	39	-	-	36	35	34	33			
											-	-	-	-	32	31	30	29	28	27	26	25	24	23	22	21	20	-	-	-			
MX123 CONN ASSY 73 CKT GRY OPT9 KEY B/62	345669183	C-HSG-B9	G-CAP-9-P	TPA-B9	RS	LS	MAL	CPA	MSEAL	RSEAL	-	-	-	-	-	-	66	-	-	-	-	-	-	58	-	-	-	-	SALEABLE		345650003		
											-	-	-	-	-	-	-	-	-	-	-	-	41	-	-	38	37	-				-	-
											-	-	-	-	-	-	-	-	-	-	-	-	-	-	-	-	20	-				18	17
MX123 CONN ASSY 73 CKT NAT OPT9 KEY F/18	345669193	C-HSG-F9	G-CAP-9-P	TPA-F9	RS	LS	MAL	CPA	MSEAL	RSEAL	72	71	70	-	-	67	66	65	64	63	62	61	60	59	-	-	56	55	54	53	SALEABLE		345650003
											52	51	50	49	48	47	46	45	44	-	-	41	40	39	-	-	36	35	34	-			
											-	-	-	-	32	31	-	29	28	27	26	25	24	23	22	21	20	-	-	-			
MX123 CONN ASSY 73 CKT BLK OPT0 KEY A/24	345669203	C-HSG-A0	G-CAP-0-P	TPA-A0	RS	LS	MAL	CPA	MSEAL	RSEAL	-	-	-	-	-	-	65	-	-	-	-	-	-	58	57	56	-	-	SALEABLE		345650003		
											-	51	50	-	-	47	46	45	-	-	-	41	-	-	-	37	36	-				-	-
											-	-	-	-	32	31	-	-	-	-	26	25	-	-	22	21	20	-				-	-
MX123 CONN ASSY 73 CKT GRY OPT0 KEY B/46	345669213	C-HSG-B0	G-CAP-0-P	TPA-B0	RS	LS	MAL	CPA	MSEAL	RSEAL	72	71	70	69	-	-	-	-	-	63	62	61	60	-	-	-	56	-	-	-	SALEABLE		345650003
											52	-	-	-	-	47	-	-	44	-	-	-	-	-	-	-	36	-	34	-			
											-	-	-	-	-	-	-	29	28	27	-	25	-	-	-	21	-	19	18	17			
MX123 CONN ASSY 73 CKT GRY OPT9 KEY B/30	345669223	C-HSG-B9	G-CAP-9-P	TPA-B9	RS	LS	MAL	CPA	MSEAL	RSEAL	-	71	70	69	68	67	66	65	64	63	-	-	-	-	58	57	56	-	54	53	SALEABLE		345650003
											-	51	50	49	-	-	-	45	44	43	42	-	-	39	-	-	-	-	34	33			
											-	-	-	-	32	31	-	29	28	27	26	25	24	23	-	-	-	-	-	17			
MX123 CONN ASSY 73 CKT BLU OPT9 KEY C/40	345669233	C-HSG-C9	G-CAP-9-P	TPA-C9	RS	LS	MAL	CPA	MSEAL	RSEAL	72	-	70	69	68	-	66	-	-	63	62	-	-	-	58	-	56	55	-	53	SALEABLE		345650003
											-	-	-	49	-	-	46	-	-	43	42	-	40	-	38	-	36	35	-	-			
											-	-	-	-	-	31	30	29	-	-	26	-	24	-	22	21	20	19	-	17			
MX123 CONN ASSY 73 CKT GRY OPT9 KEY B/44	345669243	C-HSG-B9	G-CAP-9-P	TPA-B9	RS	LS	MAL	CPA	MSEAL	RSEAL	-	-	-	-	68	67	66	65	-	-	62	-	60	59	-	-	-	-	54	53	SALEABLE		345650003
											-	-	-	-	48	47	46	45	44	-	42	41	40	39	-	-	-	35	34	-			
											-	-	-	-	-	31	-	-	-	27	-	-	-	-	-	-	-	19	18	17			
MX123 CONN ASSY 73 CKT GRY OPT9 KEY B/61	345669253	C-HSG-B9	G-CAP-9-P	TPA-B9	RS	LS	MAL	CPA	MSEAL	RSEAL	-	-	-	-	-	-	66	-	-	-	-	-	-	58	-	-	-	-	SALEABLE		345650003		
											-	-	-	-	-	-	-	-	-	-	-	-	41	-	-	38	37	-				-	-
											-	-	-	-	-	-	-	-	-	-	-	-	-	-	-	-	20	19				18	17
MX123 CONN ASSY 73 CKT GRY OPT9 KEY B/22	345669263	C-HSG-B9	G-CAP-9-P	TPA-B9	RS	LS	MAL	CPA	MSEAL	RSEAL	-	71	70	69	-	67	66	65	64	63	-	-	-	-	58	57	56	-	54	53	SALEABLE		345650003
											-	51	50	49	48	47	-	45	44	-	42	-	-	39	38	37	36	35	34	33			
											-	-	-	-	32	31	30	29	28	27	26	25	24	23	-	-	-	19	18	17			

ASSEMBLY DESCRIPTION	ASSEMBLY PART NUMBER	CONNECTOR HOUSING	GROMMET CAP	TPA	RIGHT SLIDE	LEFT SLIDE	MATE ASSIST LEVER	CPA	MAT SEAL	RING SEAL	BLOCKED TERMINALS																		STATUS	COMMENTS	INTEGRAL COMPONENTS SOLD SEPARATELY						
											CAVITY WITH A NUMBER INDICATES BLOCKED TERMINAL POSITION																				DRESS COVER						
											CAVITY WITHOUT A NUMBER INDICATES OPEN TERMINAL POSITION																										
MX123 CONN ASSY 73 CKT GRY OPT9 KEY B/57	345669273	C-HSG-B9	G-CAP-9-P	TPA-B9	RS	LS	MAL	CPA	MSEAL	RSEAL	-	-	-	-	-	-	66	-	-	-	62	-	-	-	58	-	-	-	-	-	SALEABLE		345650003				
											52	51	-	-	-	-	-	-	45	-	-	-	41	-	-	-	38	37	-	-				-	-	-	
											-																		20	19				18	17		
MX123 CONN ASSY 73 CKT BLK OPT0 KEY A/14	345669303	C-HSG-A0	G-CAP-0-P	TPA-A0	RS	LS	MAL	CPA	MSEAL	RSEAL	-	-	70	-	-	-	-	65	-	-	-	61	60	-	-	-	-	-	-	SALEABLE		345650003					
											-	-	-	-	-	-	-	-	45	-	-	-	41	40	-	-	-	-	-				-	-	-	-	
											-																		28				26	25	-	-	-
MX123 CONN ASSY 73 CKT BLK OPT9 KEY A/33	345669313	C-HSG-A9	G-CAP-9-P	TPA-A9	RS	LS	MAL	CPA	MSEAL	RSEAL	-	71	70	69	68	67	66	65	-	63	-	-	60	59	-	-	-	-	-	SALEABLE		345650003					
											-	-	50	49	-	47	-	-	44	-	42	-	-	39	38	-	36	35	34				33				
											-																		31				-	-	28	-	26
MX123 CONN ASSY 73 CKT BLK OPT9 KEY A/37	345669323	C-HSG-A9	G-CAP-9-P	TPA-A9	RS	LS	MAL	CPA	MSEAL	RSEAL	-	71	70	69	68	67	66	65	-	63	-	-	60	-	-	-	-	-	SALEABLE		345650003						
											-	-	50	49	-	47	-	-	44	-	42	-	-	39	38	-	36	-				-	33				
											-																					31	-	-	28	-	26
MX123 CONN ASSY 73 CKT BLK OPT9 KEY A/35	345669333	C-HSG-A9	G-CAP-9-P	TPA-A9	RS	LS	MAL	CPA	MSEAL	RSEAL	-	71	70	69	68	67	66	65	-	63	-	-	60	-	-	-	-	-	SALEABLE		345650003						
											-	-	50	49	-	47	-	-	44	-	42	-	-	39	38	-	36	-				-	33				
											-																					31	-	-	28	-	26
MX123 CONN ASSY 73 CKT BLU OPT9 KEY C/34	345669343	C-HSG-C9	G-CAP-9-P	TPA-C9	RS	LS	MAL	CPA	MSEAL	RSEAL	-	71	-	-	-	67	-	65	64	-	-	61	60	59	-	57	-	-	54	-	SALEABLE		345650003				
											52	51	50	-	48	47	-	45	44	-	-	41	-	39	-	37	-	-	34	33							
											-																		32	-				-	-	28	27
MX123 CONN ASSY 73 CKT BLK OPT9 KEY A/35	345669353	C-HSG-A9	G-CAP-9-P	TPA-A9	RS	LS	MAL	CPA	MSEAL	RSEAL	-	71	70	69	68	67	66	65	-	63	-	-	60	59	-	-	-	-	-	SALEABLE		345650003					
											-	-	50	49	-	47	-	-	44	-	42	-	-	39	38	-	36	-	-				33				
											-																		31				-	-	28	-	26
MX123 CONN ASSY 73 CKT BLK OPT9 KEY A/32	345669363	C-HSG-A9	G-CAP-9-P	TPA-A9	RS	LS	MAL	CPA	MSEAL	RSEAL	-	71	70	69	68	67	66	65	-	63	-	-	60	59	58	-	-	-	-	-	SALEABLE		345650003				
											-	-	50	49	48	47	-	-	44	-	42	41	-	39	38	-	36	-	-	33							
											-																		31	-				-	28	-	26
MX123 CONN ASSY 73 CKT BLK OPT9 KEY A/59	345669383	C-HSG-A9	G-CAP-9-P	TPA-A9	RS	LS	MAL	CPA	MSEAL	RSEAL	-	-	-	-	-	67	66	65	-	-	-	-	60	-	-	-	-	-	SALEABLE		345650003						
											-	-	-	49	-	-	-	-	-	-	42	-	-	-	-	36	-	-				-					
											-																					31	-	-	28	-	-
MX123 CONN ASSY 73 CKT GRY OPT0 KEY B/62	345669393	C-HSG-B0	G-CAP-0-P	TPA-B0	RS	LS	MAL	CPA	MSEAL	RSEAL	-	-	-	-	-	-	66	-	-	-	62	-	-	-	58	-	-	-	-	SALEABLE		345650003					
											-	-	-	-	-	-	-	-	-	-	-	-	-	-	-	-	38	37	-				-	-	-		
											-																		-				-	-	-	-	-
MX123 CONN ASSY 73 CKT GRY OPT0 KEY B/32	345669403	C-HSG-B0	G-CAP-0-P	TPA-B0	RS	LS	MAL	CPA	MSEAL	RSEAL	72	71	70	69	-	-	-	-	64	63	62	61	60	-	-	-	56	55	-	-	SALEABLE		345650003				
											52	-	-	-	-	47	-	-	44	-	-	-	-	-	-	-	36	-	34	-							
											-																		29	28				27	-	25	-
MX123 CONN ASSY 73 CKT BLK OPT0 KEY A/43	345669423	C-HSG-A0	G-CAP-0-P	TPA-A0	RS	LS	MAL	CPA	MSEAL	RSEAL	-	-	-	69	68	-	-	65	64	63	62	61	60	59	-	-	-	-	-	SALEABLE		345650003					
											-	-	-	49	48	-	-	45	44	43	42	41	40	-	38	-	-	-	34				-				
											-																		25				24	23	22	21	20

ASSEMBLY DESCRIPTION	ASSEMBLY PART NUMBER	CONNECTOR HOUSING	GROMMET CAP	TPA	RIGHT SLIDE	LEFT SLIDE	MATE ASSIST LEVER	CPA	MAT SEAL	RING SEAL	BLOCKED TERMINALS																				STATUS	COMMENTS	INTEGRAL COMPONENTS SOLD SEPARATELY
											CAVITY WITH A NUMBER INDICATES BLOCKED TERMINAL POSITION																						DRESS COVER
											CAVITY WITHOUT A NUMBER INDICATES OPEN TERMINAL POSITION																						
MX123 CONN ASSY 73 CKT BLU OPT0 KEY C/45	345669753	C-HSG-C0	G-CAP-0-P	TPA-C0	RS	LS	MAL	CPA	MSEAL	RSEAL	-	-	-	-	68	-	-	-	-	63	62	61	-	59	58	57	-	55	-	53	SALEABLE		345650003
											-	-	-	-	48	-	-	-	-	43	-	-	-	-	38	37	36	35	34	33			
											-	-	-	-	32	-	-	29	-	27	-	-	-	-	-	-	-	19	18	17			
MX123 CONN ASSY 73 CKT BLK OPT0 KEY A/33	345669773	C-HSG-A0	G-CAP-0-P	TPA-A0	RS	LS	MAL	CPA	MSEAL	RSEAL	-	-	-	69	68	-	-	65	64	63	62	61	60	-	58	57	56	55	54	-	SALEABLE		345650003
											-	-	-	49	48	-	-	45	44	43	42	41	40	-	38	-	36	-	34	-			
											-	-	-	32	31	-	-	-	-	-	25	24	23	22	-	20	19	18	-				
MX123 CONN ASSY 73 CKT GRY OPT0 KEY B/58	345669783	C-HSG-B0	G-CAP-0-P	TPA-B0	RS	LS	MAL	CPA	MSEAL	RSEAL	-	-	-	-	-	66	-	-	-	-	-	-	-	58	-	-	-	-	-	SALEABLE		345650003	
											52	51	-	-	-	-	-	45	-	-	-	41	-	-	38	37	-	-	-				-
											-	-	-	-	-	-	-	-	-	-	-	-	-	-	-	20	19	18	17				
MX123 CONN ASSY 73 CKT GRY OPT9 KEY B/47	345669793	C-HSG-B9	G-CAP-9-P	TPA-B9	RS	LS	MAL	CPA	MSEAL	RSEAL	-	-	70	-	-	-	66	-	-	-	62	-	60	59	-	-	-	-	-	SALEABLE		345650003	
											-	-	-	-	-	-	46	45	-	-	42	-	40	39	-	-	-	35	34				33
											-	-	-	32	31	30	-	-	27	-	-	-	-	-	21	-	19	18	17				
MX123 CONN ASSY 73 CKT BLK OPT0 KEY A/32	345669803	C-HSG-A0	G-CAP-0-P	TPA-A0	RS	LS	MAL	CPA	MSEAL	RSEAL	-	-	-	-	67	66	-	-	-	62	-	60	-	58	-	-	55	54	53	SALEABLE		345650003	
											-	-	-	-	48	-	46	45	44	43	42	-	40	39	-	-	-	35	-				-
											-	-	-	32	-	-	-	-	26	25	-	-	22	21	-	-	-	17					
MX123 CONN ASSY 73 CKT BLK OPT9 KEY A/42	345669813	C-HSG-A9	G-CAP-9-P	TPA-A9	RS	LS	MAL	CPA	MSEAL	RSEAL	-	-	-	69	68	-	-	-	-	-	-	60	-	58	57	56	-	-	-	SALEABLE		345650003	
											-	-	50	49	48	-	-	-	-	-	-	40	-	38	-	-	-	-	-				
											-	-	-	32	31	-	-	28	27	26	-	24	23	22	21	20	19	-	-				
MX123 CONN ASSY 73 CKT BLK OPT0 KEY A/60	345669823	C-HSG-A0	G-CAP-0-P	TPA-A0	RS	LS	MAL	CPA	MSEAL	RSEAL	-	-	-	-	-	66	-	-	-	62	-	-	-	58	-	-	-	-	SALEABLE		345650003		
											-	-	-	-	-	-	-	-	-	-	41	-	-	38	37	-	-	-				-	
											-	-	-	-	-	-	-	-	-	-	-	-	-	-	20	19	18	17					
MX123 CONN ASSY 73 CKT GRY OPT9 KEY B/51	345669833	C-HSG-B9	G-CAP-9-P	TPA-B9	RS	LS	MAL	CPA	MSEAL	RSEAL	-	-	-	-	-	66	65	-	-	62	-	60	59	-	-	-	-	-	SALEABLE		345650003		
											-	-	-	-	-	-	46	45	-	-	42	-	40	39	-	-	-	35				34	-
											-	-	-	31	-	-	-	27	-	-	-	-	-	-	-	-	19	18				17	
MX123 CONN ASSY 73 CKT BLK OPT9 KEY A/41	345669843	C-HSG-A9	G-CAP-9-P	TPA-A9	RS	LS	MAL	CPA	MSEAL	RSEAL	-	-	-	69	68	-	-	-	-	-	-	60	-	58	57	56	-	-	-	SALEABLE		345650003	
											-	-	-	49	48	-	-	-	-	-	-	-	38	-	-	-	-	-					
											-	-	-	32	31	-	-	28	27	26	25	24	23	22	21	20	19	-	-				
MX123 CONN ASSY 73 CKT GRY OPT9 KEY B/62	345669853	C-HSG-B9	G-CAP-9-P	TPA-B9	RS	LS	MAL	CPA	MSEAL	RSEAL	-	-	-	-	-	66	-	-	-	-	-	-	-	-	-	-	-	-	SALEABLE		345650003		
											-	-	-	-	-	-	-	-	-	-	41	-	-	38	37	-	-	-				-	
											-	-	-	-	-	-	-	-	-	-	-	-	-	-	19	18	17						
MX123 CONN ASSY 73 CKT GRY OPT0 KEY B/61	345669863	C-HSG-B0	G-CAP-0-P	TPA-B0	RS	LS	MAL	CPA	MSEAL	RSEAL	-	-	-	-	-	66	-	-	-	-	-	-	-	58	-	-	-	-	SALEABLE		345650003		
											-	-	-	-	-	-	-	-	-	-	41	-	-	38	37	-	-	-				-	
											-	-	-	-	-	-	-	-	-	-	-	-	-	-	20	19	18	17					
MX123 CONN ASSY 73 CKT BLK OPT0 KEY A/33	345669903	C-HSG-A0	G-CAP-0-P	TPA-A0	RS	LS	MAL	CPA	MSEAL	RSEAL	72	-	70	-	-	67	66	-	-	62	-	60	-	-	-	-	55	54	53	SALEABLE		345650003	
											-	51	-	-	48	-	46	45	44	43	42	-	40	39	-	-	-	35	-				-
											-	-	-	-	-	-	-	-	26	25	-	-	22	21	-	-	-	-					

ASSEMBLY DESCRIPTION	ASSEMBLY PART NUMBER	CONNECTOR HOUSING	GROMMET CAP	TPA	RIGHT SLIDE	LEFT SLIDE	MATE ASSIST LEVER	CPA	MAT SEAL	RING SEAL	BLOCKED TERMINALS																				STATUS	COMMENTS	INTEGRAL COMPONENTS SOLD SEPARATELY
											CAVITY WITH A NUMBER INDICATES BLOCKED TERMINAL POSITION																						DRESS COVER
											CAVITY WITHOUT A NUMBER INDICATES OPEN TERMINAL POSITION																						
MX123 CONN ASSY 73 CKT BLK OPT0 KEY A/41	345669913	C-HSG-A0	G-CAP-0-P	TPA-A0	RS	LS	MAL	CPA	MSEAL	RSEAL	-	-	70	69	-	-	-	-	-	63	62	61	60	-	58	57	56	55	54	53	SALEABLE		345650003
											52	51	-	49	-	-	-	-	44	43	42	41	-	-	-	37	36	35	34	33			
											-				32	-	-	29	28	27	26	-	-	23	-	-	-	19	18	-			
				16	15	-	13	12	11	10	-	8	-	-	-	-	3	-	-														
MX123 CONN ASSY 73 CKT BLK OPT0 KEY A/41	345669923	C-HSG-A0	G-CAP-0-P	TPA-A0	RS	LS	MAL	CPA	MSEAL	RSEAL	-	-	70	69	68	-	-	65	64	63	-	-	-	59	58	-	56	-	-	53	SALEABLE		345650003
											52	-	50	49	-	47	-	-	-	-	-	41	40	-	38	37	36	-	34	-			
											-				32	31	30	29	28	27	-	-	-	23	22	21	20	19	18	17			
				16	-	-	13	12	11	10	9	-	-	-	-	-	-	-	-	-	1												
MX123 CONN ASSY 73 CKT GRY OPT0 KEY B/51	345669933	C-HSG-B0	G-CAP-0-P	TPA-B0	RS	LS	MAL	CPA	MSEAL	RSEAL	72	71	70	-	68	67	66	-	-	-	62	61	60	59	58	57	56	55	54	53	SALEABLE		345650003
											52	51	50	-	48	47	46	-	-	-	42	41	40	39	38	37	36	35	34	33			
											-				32	31	30	29	28	27	26	25	24	23	-	-	-	-	-	-			
				16	15	14	13	-	-	10	9	8	7	-	-	-	-	-	-	-													
MX123 CONN ASSY 73 CKT BLU OPT0 KEY C/38	345669943	C-HSG-C0	G-CAP-0-P	TPA-C0	RS	LS	MAL	CPA	MSEAL	RSEAL	72	-	70	-	68	67	66	-	-	63	62	-	-	59	-	57	-	-	-	53	SALEABLE		345650003
											52	51	-	-	48	47	46	-	44	-	42	-	40	39	38	-	-	-	34	33			
											-				32	-	30	-	-	27	26	25	-	-	22	21	20	-	-	-			
				-	15	14	-	-	-	10	9	-	-	6	5	4	-	-	-														
MX123 CONN ASSY 73 CKT BLK OPT0 KEY A/51	345669953	C-HSG-A0	G-CAP-0-P	TPA-A0	RS	LS	MAL	CPA	MSEAL	RSEAL	72	71	70	69	68	-	66	65	64	63	-	61	-	59	58	-	56	-	54	53	SALEABLE		345650003
											52	-	50	49	-	47	-	-	-	-	42	41	40	-	38	37	36	-	34	33			
											-				32	31	30	29	28	27	26	-	24	23	22	21	20	19	18	17			
				16	-	-	13	12	11	10	9	8	-	-	-	-	-	-	-	1													
MX123 CONN ASSY 73 CKT GRY OPT0 KEY B/24	345669963	C-HSG-B0	G-CAP-0-P	TPA-B0	RS	LS	MAL	CPA	MSEAL	RSEAL	72	71	70	69	-	-	66	65	-	-	62	61	60	59	-	57	56	-	54	53	SALEABLE		345650003
											52	51	50	49	48	47	-	-	44	-	42	41	40	39	-	37	36	-	34	33			
											-				-	31	-	-	-	-	26	25	24	23	-	21	20	-	18	-			
				16	-	14	-	12	11	-	9	8	7	6	5	4	3	2	-														
MX123 CONN ASSY 73 CKT GRY OPT0 KEY B/19	345669973	C-HSG-B0	G-CAP-0-P	TPA-B0	RS	LS	MAL	CPA	MSEAL	RSEAL	72	71	70	69	-	-	66	65	-	-	62	61	60	59	-	57	56	55	54	53	SALEABLE		345650003
											52	51	50	49	48	47	-	-	44	-	42	41	40	39	-	37	36	35	34	33			
											-				-	31	-	-	-	-	26	25	24	23	-	21	20	19	18	-			
				16	-	14	-	12	11	-	9	8	7	6	5	4	3	2	1														

MX123 52/66/73/80-WAY RECEPTACLE ASSY SEALED PIN OUT SHEET



UNCHECKED cavity number(s) are OPEN																						
72	71	70	69	68	67	66	65	64	63	62	61	60	59	58	57	56	55	54	53			
<input checked="" type="checkbox"/>	<input checked="" type="checkbox"/>	<input checked="" type="checkbox"/>	<input type="checkbox"/>	<input type="checkbox"/>	<input type="checkbox"/>	<input checked="" type="checkbox"/>	<input type="checkbox"/>	<input type="checkbox"/>	<input checked="" type="checkbox"/>	<input checked="" type="checkbox"/>	<input checked="" type="checkbox"/>	<input checked="" type="checkbox"/>	<input checked="" type="checkbox"/>	<input type="checkbox"/>	<input checked="" type="checkbox"/>	<input checked="" type="checkbox"/>	<input checked="" type="checkbox"/>	<input checked="" type="checkbox"/>	<input checked="" type="checkbox"/>			
52	51	50	49	48	47	46	45	44	43	42	41	40	39	38	37	36	35	34	33			
<input checked="" type="checkbox"/>	<input checked="" type="checkbox"/>	<input checked="" type="checkbox"/>	<input checked="" type="checkbox"/>	<input checked="" type="checkbox"/>	<input checked="" type="checkbox"/>	<input type="checkbox"/>	<input type="checkbox"/>	<input type="checkbox"/>	<input type="checkbox"/>	<input checked="" type="checkbox"/>	<input checked="" type="checkbox"/>	<input checked="" type="checkbox"/>	<input checked="" type="checkbox"/>	<input checked="" type="checkbox"/>	<input checked="" type="checkbox"/>	<input checked="" type="checkbox"/>	<input checked="" type="checkbox"/>	<input checked="" type="checkbox"/>	<input checked="" type="checkbox"/>			
				32	31	30	29	28	27	26	25	24	23	22	21	20	19	18	17			
				<input type="checkbox"/>	<input checked="" type="checkbox"/>	<input type="checkbox"/>	<input type="checkbox"/>	<input type="checkbox"/>	<input type="checkbox"/>	<input checked="" type="checkbox"/>	<input checked="" type="checkbox"/>	<input checked="" type="checkbox"/>	<input checked="" type="checkbox"/>	<input checked="" type="checkbox"/>	<input checked="" type="checkbox"/>	<input checked="" type="checkbox"/>	<input checked="" type="checkbox"/>	<input checked="" type="checkbox"/>	<input checked="" type="checkbox"/>	<input checked="" type="checkbox"/>	<input type="checkbox"/>	
				73																		
				<input checked="" type="checkbox"/>	<input type="checkbox"/>	<input type="checkbox"/>	<input type="checkbox"/>	<input type="checkbox"/>	<input type="checkbox"/>	<input type="checkbox"/>	<input type="checkbox"/>	<input type="checkbox"/>	<input type="checkbox"/>	<input type="checkbox"/>	<input type="checkbox"/>	<input type="checkbox"/>	<input type="checkbox"/>	<input type="checkbox"/>	<input type="checkbox"/>	<input type="checkbox"/>	<input type="checkbox"/>	<input type="checkbox"/>
				<input checked="" type="checkbox"/>	<input type="checkbox"/>	<input type="checkbox"/>	<input type="checkbox"/>	<input type="checkbox"/>	<input type="checkbox"/>	<input type="checkbox"/>	<input type="checkbox"/>	<input type="checkbox"/>	<input type="checkbox"/>	<input type="checkbox"/>	<input type="checkbox"/>	<input type="checkbox"/>	<input type="checkbox"/>	<input type="checkbox"/>	<input type="checkbox"/>	<input type="checkbox"/>	<input type="checkbox"/>	<input type="checkbox"/>

FOR ADDITIONAL INFORMATION SEE SD-34566-001

STATUS	GM PART #	HRNS CONN ASSY			TPA	GROMMET CAP																			
		MATERIAL/PART	WIRE DRESS OPTION	KEY OPTION	COLOR OPTION	NUMBERS INDICATE CAVITIES OPEN FOR CIRCUITS																			
		NUMBER		OPTION Fp	OPTION Fp	Fp																			
SALEABLE	12672860	34566-0103	0	A	BLACK																				
SALEABLE	12672862	34566-0203	0	B	ST GRY	72	71	70	69	68	67	66	65	64	63	62	61	60	59	58	57	56	55	54	53
SALEABLE	12672864	34566-0303	0	C	BLUE	52	51	50	49	48	47	46	45	44	43	42	41	40	39	38	37	36	35	34	33
TOOL DES. REL.	12615660	34566-0403	0	D	BROWN	73				32	31	30	29	28	27	26	25	24	23	22	21	20	19	18	17
TOOL DES. REL.	12615661	34566-0503	0	E	GREEN	73				16	15	14	13	12	11	10	9	8	7	6	5	4	3	2	1
SALEABLE	12672866	34566-0603	0	F	NATURAL																				
SALEABLE	12672872	34566-0703	0	G	BLUE																				
SALEABLE	12672870	34566-0803	0	H	ST GRY	80	79	78	77	76	75	74	73	72	71	70	69	68	67	66	65	64	63	62	61
TOOL DES. REL.	12672868	34566-0903	0	J	BLACK	60	61	62	63	64	65	66	67	68	69	70	71	72	73	74	75	76	77	78	79
TOOL DES. REL.	TBD	34566-1003	0	K	BROWN	40	39	38	37	36	35	34	33	32	31	30	29	28	27	26	25	24	23	22	21
TOOL DES. REL.	TBD	34566-1103	0	L	GREEN	20	19	18	17	16	15	14	13	12	11	10	9	8	7	6	5	4	3	2	1
TOOL DES. REL.	TBD	34566-1203	0	M	NATURAL																				
SALEABLE	12672861	34566-1303	9	A	BLACK																				
SALEABLE	12672863	34566-1403	9	B	ST GRY	72	71	70	69	68	67	66	65	64	63	62	61	60	59	58	57	56	55	54	53
SALEABLE	12672865	34566-1503	9	C	BLUE	52	51	50	49	48	47	46	45	44	43	42	41	40	39	38	37	36	35	34	33
TOOL DES. REL.	12615663	34566-1603	9	D	BROWN	73				32	31	30	29	28	27	26	25	24	23	22	21	20	19	18	17
TOOL DES. REL.	12615664	34566-1703	9	E	GREEN	73				16	15	14	13	12	11	10	9	8	7	6	5	4	3	2	1
SALEABLE	12672867	34566-1803	9	F	NATURAL																				
SALEABLE	12672873	34566-1903	9	G	BLUE																				
SALEABLE	12672871	34566-2003	9	H	ST GRY	80	79	78	77	76	75	74	73	72	71	70	69	68	67	66	65	64	63	62	61
TOOL DES. REL.	12672869	34566-2103	9	J	BLACK	60	61	62	63	64	65	66	67	68	69	70	71	72	73	74	75	76	77	78	79
TOOL DES. REL.	TBD	34566-2203	9	K	BROWN	40	39	38	37	36	35	34	33	32	31	30	29	28	27	26	25	24	23	22	21
TOOL DES. REL.	TBD	34566-2303	9	L	GREEN	20	19	18	17	16	15	14	13	12	11	10	9	8	7	6	5	4	3	2	1
TOOL DES. REL.	TBD	34566-2403	9	M	NATURAL																				
SALEABLE	12672856	34822-0013	0	A	BLACK	64	63	62	61	60	59	58	57	56	55	54	53	52	51	50	49	66			
						48	47	46	45	44	43	42	41	40	39	38	37	36	35	34	33				
SALEABLE	12672858	34822-0033	0	C	BLUE	65				32	31	30	29	28	27	26	25	24	23	22	21	20	19	18	17
						65				16	15	14	13	12	11	10	9	8	7	6	5	4	3	2	1
SALEABLE	12672857	34822-0023	9	A	BLACK	64	63	62	61	60	59	58	57	56	55	54	53	52	51	50	49	66			
						48	47	46	45	44	43	42	41	40	39	38	37	36	35	34	33				
SALEABLE	12672859	34822-0043	9	C	BLUE	65				32	31	30	29	28	27	26	25	24	23	22	21	20	19	18	17
						65				16	15	14	13	12	11	10	9	8	7	6	5	4	3	2	1

MX123 52/66/73/80-WAY RECEPTACLE ASSY SEALED PIN OUT SHEET

STATUS	GM PART #	HRNS CONN ASSY			TPA	GROMMET CAP																																																																														
		MATERIAL/PART	WIRE DRESS OPTION	KEY OPTION	COLOR	NUMBERS INDICATE CAVITIES OPEN FOR CIRCUITS																																																																														
		NUMBER		Fp	Fp	Fp																																																																														
TOOL DES. REL.	12672852	160094-0001	0	A	BLACK	<table border="1"> <tr> <td>52</td><td>14</td><td>13</td><td>12</td><td>11</td><td>10</td><td>9</td><td>8</td><td>7</td><td>6</td><td>5</td><td>4</td><td>3</td><td colspan="3">2</td> </tr> <tr> <td></td><td>26</td><td>25</td><td>24</td><td>23</td><td>22</td><td>21</td><td>20</td><td>19</td><td>18</td><td>17</td><td>16</td><td>15</td><td colspan="3"></td> </tr> <tr> <td>51</td><td>38</td><td>37</td><td>36</td><td>35</td><td>34</td><td>33</td><td>32</td><td>31</td><td>30</td><td>29</td><td>28</td><td>27</td><td colspan="3">1</td> </tr> <tr> <td></td><td>50</td><td>49</td><td>48</td><td>47</td><td>46</td><td>45</td><td>44</td><td>43</td><td>42</td><td>41</td><td>40</td><td>39</td><td colspan="3"></td> </tr> </table>															52	14	13	12	11	10	9	8	7	6	5	4	3	2				26	25	24	23	22	21	20	19	18	17	16	15				51	38	37	36	35	34	33	32	31	30	29	28	27	1				50	49	48	47	46	45	44	43	42	41	40	39			
52	14	13	12	11	10																9	8	7	6	5	4	3	2																																																								
	26	25	24	23	22																21	20	19	18	17	16	15																																																									
51	38	37	36	35	34																33	32	31	30	29	28	27	1																																																								
	50	49	48	47	46																45	44	43	42	41	40	39																																																									
TOOL DES. REL.	N/A	160094-0002	0	B	ST GRY																																																																															
TOOL DES. REL.	12672854	160094-0003	0	C	BLUE																																																																															
TOOL DES. REL.	N/A	160094-0004	0	D	BROWN																																																																															
TOOL DES. REL.	N/A	160094-0005	0	E	GREEN																																																																															
TOOL DES. REL.	N/A	160094-0006	0	F	NATURAL																																																																															
TOOL DES. REL.	12672853	160094-0013	9	A	BLACK	<table border="1"> <tr> <td>52</td><td>14</td><td>13</td><td>12</td><td>11</td><td>10</td><td>9</td><td>8</td><td>7</td><td>6</td><td>5</td><td>4</td><td>3</td><td colspan="3">2</td> </tr> <tr> <td></td><td>26</td><td>25</td><td>24</td><td>23</td><td>22</td><td>21</td><td>20</td><td>19</td><td>18</td><td>17</td><td>16</td><td>15</td><td colspan="3"></td> </tr> <tr> <td>51</td><td>38</td><td>37</td><td>36</td><td>35</td><td>34</td><td>33</td><td>32</td><td>31</td><td>30</td><td>29</td><td>28</td><td>27</td><td colspan="3">1</td> </tr> <tr> <td></td><td>50</td><td>49</td><td>48</td><td>47</td><td>46</td><td>45</td><td>44</td><td>43</td><td>42</td><td>41</td><td>40</td><td>39</td><td colspan="3"></td> </tr> </table>															52	14	13	12	11	10	9	8	7	6	5	4	3	2				26	25	24	23	22	21	20	19	18	17	16	15				51	38	37	36	35	34	33	32	31	30	29	28	27	1				50	49	48	47	46	45	44	43	42	41	40	39			
52	14	13	12	11	10																9	8	7	6	5	4	3	2																																																								
	26	25	24	23	22																21	20	19	18	17	16	15																																																									
51	38	37	36	35	34																33	32	31	30	29	28	27	1																																																								
	50	49	48	47	46																45	44	43	42	41	40	39																																																									
TOOL DES. REL.	N/A	160094-0014	9	B	ST GRY																																																																															
TOOL DES. REL.	12672855	160094-0015	9	C	BLUE																																																																															
TOOL DES. REL.	N/A	160094-0016	9	D	BROWN																																																																															
TOOL DES. REL.	N/A	160094-0017	9	E	GREEN																																																																															
TOOL DES. REL.	N/A	160094-0018	9	F	NATURAL																																																																															
NA	NA	NA	NA	NA	NA	<table border="1"> <tr> <td colspan="15">73</td> </tr> </table>															73																																																															
73																																																																																				
SALEABLE	NOT APPLICABLE	34566-2503	0	A	BLACK	72	71		69	68	67	66		64	63	62		59			56			53																																																												
								50		48		46		44	43	42		39		36	35		33																																																													
						73			32		30	29		27			23		20			17																																																														
										14	13	12	11		9	8		5	4	3	2	1																																																														
SALEABLE	NOT APPLICABLE	34566-2603	0	B	ST GRY				49	48	47		44				39		37		35	33																																																														
						73						29	28				23		21																																																																	
																	7																																																																			
SALEABLE	NOT APPLICABLE	34566-2703	0	B	ST GRY				49	48	47		44				39		37		35	33																																																														
						73						29	28				23		21																																																																	
																	7																																																																			
SALEABLE	TBD	34566-2803	0	H	ST GRY																																																																															
SALEABLE	NOT APPLICABLE	34566-2903	0	A	BLACK	72	71	70	69	68	67	66		64	63	62	61		59			55	54	53																																																												
						52	51		49	48				44	43	42	41		39			35	34	33																																																												
						73			32	31		29		27		25		23			19	18	17																																																													
										16			13	12	11		9	8	7	6	5	4	3	2	1																																																											
SALEABLE	NOT APPLICABLE	34566-3003	0	A	BLACK	72	71	70	69	68	67	66		64	63	62		60	59	58	57	56	55	54	53																																																											
						52	51	50	49	48	47	46		44	43	42	41	40	39	38	37	36	35	34	33																																																											
						73			32	31	30	29	28	27		25	24	23	22	21	20	19	18	17																																																												
										16	15	14	13	12	11		9	8	7	6	5	4	3	2	1																																																											
SALEABLE	NOT APPLICABLE	34566-3103	0	B	ST GRY				49	48		46				62		59		57		55	53																																																													
						73						29			26		23		21			18																																																														
										15					9	8	7			4	3																																																															
SALEABLE	NOT APPLICABLE	34566-3203	0	B	ST GRY			50	49	48		46					60	59	58	57	56	55		53																																																												
						73						29					23	22	21			35	34	33																																																												
										16	15	14					7	6	5	4	3																																																															
SALEABLE	NOT APPLICABLE	34566-3303	0	B	ST GRY			50	49	48		46						59	58	57	56	55		53																																																												
						73						29					23	22	21			35	34	33																																																												
										16	15	14					7	6	5	4	3																																																															
SALEABLE	NOT APPLICABLE	34566-3403				SEE 34566-3003																																																																														
SALEABLE	NOT APPLICABLE	34566-3503	0	A	BLACK	72	71		69	68	67	66		64	63	62		60	59																																																																	
						52			49	48		46		44	43	42		40	39				35	33																																																												
						73			32			29		27			24	23					17																																																													
												14	13	12	11		9	8	7	6	5	4	3	2	1																																																											

MX123 52/66/73/80-WAY RECEPTACLE ASSY SEALED PIN OUT SHEET

STATUS	GM PART #	HRNS CONN ASSY			TPA	GROMMET CAP																						
		MATERIAL/PART	WIRE DRESS OPTION	KEY OPTION Fp	COLOR OPTION Fp	NUMBERS INDICATE CAVITIES OPEN FOR CIRCUITS																						
		NUMBER				Fp																						
SALEABLE	NOT APPLICABLE	34566-3603	0	B	ST GRAY					68				64					59		57		55		53			
									49	48		46								39		37		35		33		
						73							32			29							23		21			18
SALEABLE	NOT APPLICABLE	34566-3703	0	A	BLACK					68	67	66	65						59				55		53			
									49	48	47			44							39				35		33	
						73										29	28						23					
SALEABLE	NOT APPLICABLE	34566-3803	0	A	BLACK	72	71		69	68	67	66		64	63	62			59				56		53			
									50			48		46		44	43	42			39				36	35	33	
						73							32			30	29			27				23			20	
SALEABLE	NOT APPLICABLE	34566-3903	0	B	ST GRAY									65						59		57		55		53		
									49	48		46			44							39		37		35		33
						73										29	28						24	23		21		
SALEABLE	NOT APPLICABLE	34566-4003	0	B	ST GRAY						67	66		64	63				59		57		55		53			
									50	49	48					43					39		37		35		33	
						73							32				29			27				24	23		21	
SALEABLE	NOT APPLICABLE	34566-4103	0	A	BLACK	72	71		69	68	67	66		64	63	62		60	59					35		33		
									49	48		46	45	44	43	42		40	39									
						73							32				29			27	26		24	23				
SALEABLE	NOT APPLICABLE	34566-4203	0	B	ST GRAY									64					59		57		55		53			
									50	49	48		46								39		37		35		33	
						73							32				29						24	23		21		18
SALEABLE	NOT APPLICABLE	34566-4303	0	A	BLACK				70	69	68	67		65	64	63		61	59	58	57	56						
									50	49	48	47								41			38	37	36		34	33
						73							32	31	30	29	28	27			24	23				20	19	18
SALEABLE	NOT APPLICABLE	34566-4403	0	A	BLACK	72	71		70	69	68	67	66	65	64	63		61	59	58	57	56						
									50	49	48	47								41			38	37	36		34	33
						73							32	31	30	29	28	27			24	23				20	19	18
SALEABLE	NOT APPLICABLE	34566-4503	0	H	ST GRAY		79	78	77	76	75	74	73	72	71	70	69	68		66	65	64	63		61			
						60	59	58	57	56				53			50							44	43		41	
						40	39	38	37		35	34	33	32			30	29			27	26			24	23	22	21
SALEABLE	NOT APPLICABLE	34566-4603	0	H	ST GRAY		79	78	77	76	75	74	73	72	71	70	69	68		66	65	64	63		61			
						60	59	58	57	56				53			50							44	43		41	
						40	39	38	37		35	34	33	32			30	29			27	26					22	21
SALEABLE	NOT APPLICABLE	34566-4703	0	B	ST GRAY						67	66	65	64					59	58	57		55		53			
									49	48	47					44						39	38	37		35		33
						73										29							23	22	21			
SALEABLE	NOT APPLICABLE	34566-4803	0	A	BLACK	72	71		69	68	67	66		64	63	62	61		59						53			
																44		42	41							35	33	
						73							32				29			27		25		23				17
SALEABLE	NOT APPLICABLE	34566-4903	0	A	BLACK	72	71		70	69	68		66	65	64	63	62	61		59	58	57	56	55		53		
									49	48	47				44	43			41				38	37	36	35	34	33
						73							32	31	30	29	28	27			24	23				20	19	18
SALEABLE	NOT APPLICABLE	34566-5003	0	H	ST GRAY		79	78	77	76	75	74	73	72	71	70	69	68		66	65	64	63		61			
						60	59	58	57	56				53	52		50							44	43		41	
						40	39	38	37		35	34	33	32			30	29			27	26					22	21

MX123 52/66/73/80-WAY RECEPTACLE ASSY SEALED PIN OUT SHEET

STATUS	GM PART #	HRNS CONN ASSY			TPA	GROMMET CAP																																			
		MATERIAL/PART	WIRE DRESS OPTION	KEY OPTION ▽ Fp		COLOR OPTION ▽ Fp	NUMBERS INDICATE CAVITIES OPEN FOR CIRCUITS																																		
		NUMBER					▽ Fp																																		
SALEABLE	NOT APPLICABLE	34566-5103	0	B	ST GRY																59		57			55			53												
																									39		37			35			33								
																										23		21													
SALEABLE	NOT APPLICABLE	34566-5203	0	A	BLACK	72	71		69	68	67	66		64	63	62							59	58	57	56			54	53											
						52	51	50	49	48	47	46		44	43	42								39	38	37	36	35	34	33											
																										32	31	30	29		27		24	23	22	21	20	19		17	
SALEABLE	NOT APPLICABLE	34566-5303	0	B	ST GRY																																				
SALEABLE	NOT APPLICABLE	34566-5403	0	B	ST GRY																																				
SALEABLE	NOT APPLICABLE	34566-5503	0	A	BLACK	72	71		69	68	67	66		64	63	62							59	58	57	56	55			53											
						52			49	48		46		44	43	42								39	38	37			35	34	33										
																										32			29		27	26		24	23					17	
SALEABLE	NOT APPLICABLE	34566-5603	SEE 34566-2503																																						
SALEABLE	NOT APPLICABLE	34566-5703	0	B	ST GRY																																				
SALEABLE	NOT APPLICABLE	34566-5803	0	B	ST GRY																																				
SALEABLE	NOT APPLICABLE	34566-5903	0	A	BLACK	72	71		69	68	67	66		64	63	62							59																		
SALEABLE	NOT APPLICABLE	34566-6003	0	B	ST GRY																																				
SALEABLE	NOT APPLICABLE	34566-6103	0	B	ST GRY																																				
SALEABLE	NOT APPLICABLE	34566-6203	0	A	BLACK		71	70	69	68																															
						52	51	50	49																																
SALEABLE	NOT APPLICABLE	34566-6303	0	A	BLACK		71	70	69	68																															
						52	51	50	49																																
SALEABLE	NOT APPLICABLE	34566-6403	0	A	BLACK		71		69	68																															
						52		50	49																																
SALEABLE	NOT APPLICABLE	34566-6503	0	A	BLACK		71		69	68																															
						52		50	49																																

MX123 52/66/73/80-WAY RECEPTACLE ASSY SEALED PIN OUT SHEET

STATUS	GM PART #	HRNS CONN ASSY			TPA	GROMMET CAP																					
		MATERIAL/PART	WIRE DRESS OPTION	KEY OPTION Fp	COLOR OPTION Fp	NUMBERS INDICATE CAVITIES OPEN FOR CIRCUITS																					
		NUMBER				Fp																					
SALEABLE	NOT APPLICABLE	34566-8103	0	H	ST GRY			78							72	71	70	69	68		66	65	64	63		61	
						60	59	58	57	56			53	52		50		29		27	26		24		22	21	
						40			37		35	34	33	32		30				8		6	5		3	2	
SALEABLE	NOT APPLICABLE	34566-8203	0	A	BLACK			70			67	66							58		56	55	54				
										47			44	43	42	41		39		37	36		34				
						73				31	30			27		25	24			21	20	19	18				
SALEABLE	NOT APPLICABLE	34566-8303	0	A	BLACK	72	71		69	68	67	66		64	63	62			59	58	57	56		54	53		
						52	51	50	49	48	47	46		44	43	42			39	38	37	36	35	34	33		
						73				32	31	30	29		27			24	23	22	21	20	19		17		
SALEABLE	NOT APPLICABLE	34566-8403	0	B	ST GRY								65	64					59		57		55		53		
								50	49	48		46						39		37		35		33			
						73				32			29					24	23		21						
SALEABLE	NOT APPLICABLE	34566-8503	0	B	ST GRY								65	64					59		57		55		53		
								50	49	48		46						39		37		35		33			
						73				32			29					24	23		21						
SALEABLE	NOT APPLICABLE	34566-8603	0	A	BLACK	72	71	70	69	68	67	66	65	64	63	62		60	59				55	54	53		
						52			49	48				44	43	42			39					35	34	33	
						73				32			29		27			24	23					19	18	17	
SALEABLE	NOT APPLICABLE	34566-8703	0	B	ST GRY				69	68		66		64				59		57		55		53			
								50	49	48	47		44				39		37		35		33				
						73				32			29	28				23		21				17			
SALEABLE	NOT APPLICABLE	34566-8803	0	B	ST GRY					68	67	66	65				59	58	57				54	53			
							51	50	49	48		46	45		43	42		40	39	38	37				33		
						73				32	31	30			26		24	23	22		20						
SALEABLE	NOT APPLICABLE	34566-8903	0	H	ST GRY			78							71	70	69	68	67	66	65	64	63		61		
								58	57	56			53	52		51	50		29		27	26		24		22	21
						40			37		35	34	33	32		30			8		6	5		3	2		
SALEABLE	NOT APPLICABLE	34566-9003	0	B	ST GRY				69	68		66		64				59		57		55		53			
								49	48		46		44				39		37		35		33				
						73				32			29	28				23		21				18			
SALEABLE	NOT APPLICABLE	34566-9103	0	A	BLACK					68			65		63		61		59	58		56		54	53		
						52	51	50			47					41			38	37	36	35	34	33			
						73				32	31	30	29	28	27		25	24	23	22	21	20	19	18	17		
SALEABLE	NOT APPLICABLE	34566-9203	0	A	BLACK	72	71	70	69	68	67	66		64	63	62		60	59				55	54	53		
						52			49	48				44	43	42		40	39	38				35	34	33	
						73				32		30	29	28	27			24	23		19	18	17				
SALEABLE	NOT APPLICABLE	34566-9303	0	A	BLACK														59	58	57	56		54	53		
								50	49	48	47	46		44	43	42			39	38	37	36	35	34	33		
						73				32	31	30	29		27			24	23	22	21	20	19		17		
SALEABLE	NOT APPLICABLE	34566-9403	0	B	ST GRY					68	67	66	65			43	42	41	40	39	38	37		35		33	
							51	50	49	48		46	45				26		24	23	22		20				
						73				32	31	30			10	9	8	7	6	5	4						
SALEABLE	NOT APPLICABLE	34566-9503	0	A	BLACK	72	71	70	69	68			65	64	63		61		59	58	57	56		54	53		
						52	51		49		47					41			38	37	36		34	33			
						73				32	31	30	29	28	27			24	23		20	19	18	17			

MX123 52/66/73/80-WAY RECEPTACLE ASSY SEALED PIN OUT SHEET

STATUS	GM PART #	HRNS CONN ASSY			TPA	GROMMET CAP																					
		MATERIAL/PART	WIRE DRESS OPTION	KEY OPTION Fp	COLOR OPTION Fp	NUMBERS INDICATE CAVITIES OPEN FOR CIRCUITS																					
		NUMBER				Fp																					
SALEABLE	NOT APPLICABLE	34566-9603	0	A	BLACK	52	71	70	69	68		66	65	64	63		61		59	58	57	56					
								50	49		47								41			38	37	36	35	34	33
						73			32	31	30	29	28	27					24	23					20	19	18
SALEABLE	NOT APPLICABLE	34566-9703	0	A	BLACK	72	71	70	69	68			65	64	63		61		59		57	56					
						52	51	50	49		47							41			38	37	36			34	33
						73			32	31	30	29	28	27					24	23					20	19	18
SALEABLE	NOT APPLICABLE	34566-9803	0	A	BLACK	72	71	70	69	68			65	64	63		61		59		57	56					
						52	51	50	49		47							41			38	37	36			34	33
						73			32	31	30	29	28	27					24	23					20	19	18
SALEABLE	NOT APPLICABLE	34566-9903	0	A	BLACK		71		69	68			65	64	63		61		59	58	57	56					
						52		50	49		47							41			38	37	36			34	33
						73			32	31	30	29	28	27					24	23					20	19	18
SALEABLE	NOT APPLICABLE	34566-1013	0	A	BLACK		71		69	68			65	64	63		61		59	58	57	56					
						52		50	49		47							41			38	37	36			34	33
						73			32	31	30	29	28	27					24	23					20	19	18
SALEABLE	NOT APPLICABLE	34566-1023	0	A	BLACK			70		68			66	65					58	57		55	54				
								50	49		47			44	43	42	41		39			37		35			
						73			32		30			27		25	24				21	20	19	18	17		
SALEABLE	NOT APPLICABLE	34566-1033	0	A	BLACK			70		67	66	65						58	57		55	54					
								50	49		47			44	43	42	41		39			37		35			
						73			32		30			27		26	25	24			21	20	19	18	17		
SALEABLE	NOT APPLICABLE	34566-1043	0	B	ST GRAY		71	70		68			66	65				59	58	57			54	53			
							51	50	49	48		46	45		43		41	40	39	38	37	36	35				
						73			32	31	30							24	23	22		20					
SALEABLE	NOT APPLICABLE	34566-1053	0	H	ST GRAY		79	78	77	76	75	74	73	72	71	70	69	68		66	65	64	63			61	
						60	59	58	57	56			53	52		50							44	43			41
						40	39	38	37		35	34	33	32		30	29		27	26							22
SALEABLE	NOT APPLICABLE	34566-1063	0	B	ST GRAY								65				60	59		57	56	55		53			
								49	48	47			44				40	39		37	36	35					33
						73						29	28					24	23		21						
SALEABLE	NOT APPLICABLE	34566-1073	0	A	BLACK	72	71	70	69	68	67	66	65	64	63		61		59	58	57	56			54		
								50	49	48	47						42	41			38	37	36			34	33
						73			32	31	30	29	28	27	26			24	23					20	19	18	
SALEABLE	NOT APPLICABLE	34566-1083	0	B	ST GRAY					68	67	66	65	64				59	58	57			55	54	53		
							51	50	49	48		46	45		43	42	41	40	39	38	37		35				33
						73			32	31	30				26		24	23	22		20						
SALEABLE	NOT APPLICABLE	34566-1093	0	A	BLACK			70		68	67	66						58		56	55	54					
								49		47			44	43	42	41		39		37	36		34				
						73				31	30			27		25	24				21	20	19	18			
SALEABLE	NOT APPLICABLE	34566-1123	0	H	ST GRAY			78					72	71	70	69	68	67	66	65	64	63			61		
								58	57	56			53	52	51	50						44	43			41	
						40			37		35	34	33	32		30	29		27	26							22
SALEABLE	NOT APPLICABLE	34566-1133	0	A	BLACK			70		68	67	66				61		58	57		55	54					
								49		47		45	44	43	42	41		39		37			34				
						73			32		30			27		25	24				21	20	19	18			

MX123 52/66/73/80-WAY RECEPTACLE ASSY SEALED PIN OUT SHEET

STATUS	GM PART #	HRNS CONN ASSY			TPA	GROMMET CAP																							
		MATERIAL/PART	WIRE DRESS OPTION	KEY OPTION Fp	COLOR OPTION Fp	NUMBERS INDICATE CAVITIES OPEN FOR CIRCUITS																							
		NUMBER				Fp																							
SALEABLE	NOT APPLICABLE	34566-1143	0	A	BLACK	52		50		68			65		63		61		59	58		56			53				
										47									41			38	37		36	35		34	33
						73			32	31	30	29	28	27		25	24	23	22	21	20	19	18	17				1	
SALEABLE	NOT APPLICABLE	34566-1153	0	A	BLACK			70				67	66	65						58	57		55						
								49				47			44	43	42	41		39		37							
						73			32		30			27		25	24	23		21	20	19	18					1	
SALEABLE	NOT APPLICABLE	34566-1163	0	H	ST GRAY			78						72	71	70	69	68		66	65	64	63		61				
						60	59	58	57	56			53	52		50								44	43		41		
						40			37		35	34		32		30	29		27	26							22	21	
SALEABLE	NOT APPLICABLE	34566-1173	0	A	BLACK	20	19	18	17	16			13	12				8		6	5		3	2					
						72	71		69	68			65	64	63	62	61	60	59	58		56		54		34	33		
						52		50	49	48	47		45			42	41		38	37	36		34	33					
SALEABLE	NOT APPLICABLE	34566-1183	0	B	ST GRAY	73			32	31	30	29	28	27	26		24	23											
SALEABLE	NOT APPLICABLE	34566-1193	0	A	BLACK				49	48	47			44		42				39		37		35		33			
						73							29	28					23		21							17	
SALEABLE	NOT APPLICABLE	34566-1213	0	A	BLACK	72	71		69	68	67	66		64	63	62		60	59						54	53			
						52			49	48		46		44	43	42			39								34	33	
						73			32			29		27				23										17	
SALEABLE	NOT APPLICABLE	34566-1223	0	B	ST GRAY	72	71		69	68	67	66		64	63	62		59							54	53			
						52			48		46		44	43	42			39									34	33	
						73			32			29		27				23										17	
SALEABLE	NOT APPLICABLE	34566-1233	0	B	ST GRAY																								
SALEABLE	NOT APPLICABLE	34566-1243	0	B	ST GRAY																								
SALEABLE	NOT APPLICABLE	34566-1253	9	B	ST GRAY																								
SALEABLE	NOT APPLICABLE	34566-1263	9	A	BLACK	NUMBERS IN BOLD MUST USE SAE WIRE MEETING SAE J1128, WIRE SIZE (NO.20) OR (NO.18 MAX. O.D. OF 2.06 MM) PER G.M. DRAWING NUMBER 12582682.																							
						72	71		69	68	67	66		64	63	62		59				56					53		
								50		48		46		44	43	42			39				36	35				33	
SALEABLE	NOT APPLICABLE	34566-1273	0	A	BLACK	73			32		30	29		27		24	23		20				17						
SALEABLE	NOT APPLICABLE	34566-1283	0	A	BLACK			70	69	68			65	64	63		61		59	58	57	56			54				
						52		50	49	48	47					41			38	37	36		34	33					
						73			32	31	30	29	28	27		24	23					20	19	18				1	

MX123 52/66/73/80-WAY RECEPTACLE ASSY SEALED PIN OUT SHEET

STATUS	GM PART #	HRNS CONN ASSY			TPA	GROMMET CAP																					
		MATERIAL/PART	WIRE DRESS OPTION	KEY OPTION Fp	COLOR OPTION Fp	NUMBERS INDICATE CAVITIES OPEN FOR CIRCUITS																					
		NUMBER				Fp																					
SALEABLE	NOT APPLICABLE	34566-1293	0	A	BLACK	52		50		68			65		63		61		59	58		56			34	33	
						73				32	31	30	29	28	27			24	23					20	19	18	17
						73				16				13	12	11	10	9									
SALEABLE	NOT APPLICABLE	34566-1313	0	H	ST GRAY	80		78						72	71	70	69	68		66	65	64	63		61		
								58	57	56	55	54	53									46		44	43	42	
						40			37		35				32		30	29		27	26						
SALEABLE	NOT APPLICABLE	34566-1323	0	A	BLACK	72	71	70	69	68	67	66	65	64	63	62		60	59	58	57	56	55	54	53		
						52	51	50	49	48	47	46	45	44	43	42	41	40	39	38	37	36	35	34	33		
						73				32	31	30	29	28	27			25	24	23	22	21	20	19	18	17	
SALEABLE	NOT APPLICABLE	34566-1333	0	A	BLACK			70	69	68			65	64				59	58		56						
						52		50	49		47					41					38	37	36			34	
						73				32	31	30	29	28	27					23				20	19	18	17
SALEABLE	NOT APPLICABLE	34566-1343	0	A	BLACK				69				65	64	63				59	58	57	56					
								50	49	48	47						41				38	37	36			34	
						73				32	31	30	29	28	27					23				20	19	18	17
SALEABLE	NOT APPLICABLE	34566-1353	0	H	ST GRAY		79	78	77	76	75	74	73	72	71	70	69	68		66	65	64	63		61		
						60	59	58	57	56			53				50							44	43		41
						40	39	38	37		35	34			32		30	29		27	26						22
SALEABLE	NOT APPLICABLE	34566-1363	0	A	BLACK	72	71		69	68	67	66		64	63	62			59							53	
										48		46		44	43	42				39							33
						73				32			29		27			24	23								
SALEABLE	NOT APPLICABLE	34566-1373	0	B	ST GRAY								66	65			62		59		57		55		53		
										48		46				42			39		37		35				33
						73							29			26			23		21						
SALEABLE	NOT APPLICABLE	34566-1383	0	B	ST GRAY				49	48	47	46						59	58	57		55			53		
																			39	38	37		35				33
						73							29						23	22	21						
SALEABLE	NOT APPLICABLE	34566-1393	0	A	BLACK			70			67	66				61			58	57		55	54				
											47		45	44	43	42	41		39		37					34	
						73				32		30				27		25	24			21	20	19	18		
SALEABLE	NOT APPLICABLE	34566-1423	0	B	ST GRAY					68	67	66	65			61	60	59	58	57				54	53		
							51	50	49	48	47	46	45		43	42	41	40	39	38	37		35	34	33		
						73				32	31	30				26		24	23	22	21	20					
SALEABLE	NOT APPLICABLE	34566-1433	0	B	ST GRAY								66		64				59		57		55		53		
									49	48		46							39		37		35				33
						73				32			29						23		21					18	17
SALEABLE	NOT APPLICABLE	34566-1443	0	B	ST GRAY				69	68		66						59		57		55			53		
									49	48		46							39		37		35				33
						73							29						23		21						
SALEABLE	NOT APPLICABLE	34566-1453	0	B	ST GRAY				49	48	47			66	65	64		62		59		57		55		53	
														44		42			39		37		35				33
						73							29	28		26			23		21						
SALEABLE	NOT APPLICABLE	34566-1463	0	A	BLACK				69	68			65	64	63	62	61	60	59	58		56			34	33	
						52		50	49	48	47		45				41			38	37	36					
						73				32	31	30	29	28	27			24	23					20	19	18	17

MX123 52/66/73/80-WAY RECEPTACLE ASSY SEALED PIN OUT SHEET

STATUS	GM PART #	HRNS CONN ASSY			TPA	GROMMET CAP																					
		MATERIAL/PART	WIRE DRESS OPTION	KEY OPTION Fp	COLOR OPTION Fp	NUMBERS INDICATE CAVITIES OPEN FOR CIRCUITS																					
		NUMBER				Fp																					
SALEABLE	NOT APPLICABLE	34566-1473	0	A	BLACK	72	71		69	68	67	66		64	63	62			59					54	53		
						52			49	48		46		44	43	42			39							34	33
						73						32			29		27			24	23						
SALEABLE	NOT APPLICABLE	34566-1483	0	A	BLACK	72	71		69	68			65	64	63		61		59	58		56					
						52		50	49		47						41			38	37	36			34	33	
						73				32	31	30	29	28	27			24	23			20	19	18	17		
SALEABLE	NOT APPLICABLE	34566-1493	0	B	ST GRAY				68								59	58	57		55			53			
								49	48		46							39	38	37		35				33	
						73						29						23	22	21						18	17
SALEABLE	NOT APPLICABLE	34566-1513	0	B	ST GRAY				68				65				59		57		55			53			
								49	48		46						39	37	36		35					33	
						73						29						23		21							17
SALEABLE	NOT APPLICABLE	34566-1523	0	A	BLACK			70	69	68			65	64			59	58		56			54				
						52		50	49		47				42	41			38	37	36			34			
						73				32	31	30	29	28	27	26			23			20	19	18	17		
SALEABLE	NOT APPLICABLE	34566-1533	0	A	BLACK	72	71	70	69	68			65	64	63		61		59	58	57	56					
						52	51	50	49		47						41			38	37	36			34	33	
						73				32	31	30	29	28	27			24	23					20	19	18	17
SALEABLE	NOT APPLICABLE	34566-1543	0	B	ST GRAY				69	68		66					59		57		55			53			
								49	48		46						39	37	36		35					33	
						73						29						23		21							
SALEABLE	12582677	34566-1553	0	A	BLACK																						
						73																					
TOOL DESIGN SALEABLE	NOT APPLICABLE	34566-1563	9	A	BLACK																						
73																											
TOOL DESIGN SALEABLE	NOT APPLICABLE	34566-1573	9	H	ST GRAY																						
73																											
SALEABLE	NOT APPLICABLE	34566-1583	0	A	BLACK			70			67	66	65			61		58	57		55	54					
								49		47		45	44	43	42	41		39		37			34				
						73				32		30			27		25	24			21	20	19	18	17		
SALEABLE	NOT APPLICABLE	34566-1593	0	B	ST GRAY				67		65				61	60	59	58	57			54	53				
							51	50	49	48	47	46	45		43	42		40	39		37			34	33		
						73				32	31	30			26		24	23	22	21	20						
SALEABLE	NOT APPLICABLE	34566-1613	0	H	ST GRAY		79	78	77	76	75	74	73	72	71	70	69	68		66	65	64	63		61		
						60	59	58	57	56			53			50							44	43		41	
						40	39	38	37		35	34	33	32		30	29		27	26			24	23	22	21	
						20	19	18	17			14	13	12	11	10	9	8		6	5			3	2		
SALEABLE	NOT APPLICABLE	34566-1623	0	B	ST GRAY					66	65				62		59		57		55		53				
									48	47					42		39		37		35					33	
						73						29			26			23		21							17
SALEABLE	NOT APPLICABLE	34566-1633	0	B	ST GRAY				69	68		66					59		57		55			53			
								50		48	47						39		37		35					33	
						73						29						23		21							17

MX123 52/66/73/80-WAY RECEPTACLE ASSY SEALED PIN OUT SHEET

STATUS	GM PART #	HRNS CONN ASSY			TPA	GROMMET CAP																							
		MATERIAL/PART	WIRE DRESS OPTION	KEY OPTION Fp	COLOR OPTION Fp	NUMBERS INDICATE CAVITIES OPEN FOR CIRCUITS																							
		NUMBER				Fp																							
SALEABLE	NOT APPLICABLE	34566-1643	0	B	ST GRAY				69	68		66							59		57		55		53				
								50		48		46									39		37		35		33		
						73									29							23		21				17	
SALEABLE	NOT APPLICABLE	34566-1653	0	B	ST GRAY							66							59		57		55		53				
								50		48		46									39		37		35		33		
						73									15				12	11	10			7	6	5	4	3	
SALEABLE	NOT APPLICABLE	34566-1663	0	B	ST GRAY							66							59		57		55		53				
								50		48		46										39		37		35		33	
						73																29		23		21		17	
SALEABLE	NOT APPLICABLE	34566-1673	0	A	BLACK	72	71	70	69	68	67	66	65	64	63	62		60	59					55	54	53			
						52			49	48			45	44	43	42	41	40	39								35	34	33
						73											29			27			25	24	23			19	18
SALEABLE	NOT APPLICABLE	34566-1683	0	B	ST GRAY							67	66			63			59	58	57	56	55		53				
								50	49	48												39	38	37	36	35		33	
						73																29		27		23	22	21	
SALEABLE	NOT APPLICABLE	34566-1693	0	B	ST GRAY							66		64					59		57		55		53				
								49	48		46											39		37		35		33	
						73																32		29		23		21	17
SALEABLE	NOT APPLICABLE	34566-1713	0	B	ST GRAY		71	70		68		66	65	64	63		60	59	58	57	56	55	54	53					
							51	50	49	48		46	45		43		41	40	39	38	37	36	35				33		
						73																32	31	30		24	23	22	20
SALEABLE	NOT APPLICABLE	34566-1723	0	B	ST GRAY		71	70		68		66	65				60	59	58	57			54	53					
							51	50	49	48		46	45		43		41	40	39	38	37	36	35				33		
						73																32	31	30		24	23	22	20
SALEABLE	NOT APPLICABLE	34566-1733	0	A	BLACK			70		68	67	66	65					58	57		55								
								49	48		47			44	43	42	41		39		37		35						
						73																32		30		27		25	24
SALEABLE	NOT APPLICABLE	34566-1743	0	A	BLACK			70		67	66	65					58	57		55									
								49	48		47			44	43	42	41		39		37		35						
						73																32		30		27		25	24
SALEABLE	NOT APPLICABLE	34566-1753	0	A	BLACK			70		67	66	65					58	57		55									
								49	48		47			44	43	42	41		39		37		35						
						73																32		30		27		25	24
SALEABLE	NOT APPLICABLE	34566-1763	0	B	ST GRAY					67		65				61	60	59	58	57			54	53					
							51	50	49	48	47	46	45		43			40	39		37				34	33			
						73																32	31	30		26	25	24	23
SALEABLE	NOT APPLICABLE	34566-1773	0	C	BLUE	72		70				66			63	62			59		57				53				
						52	51					46		44		42		40	39							34	33		
						73																	30		27	26	25		22
SALEABLE	NOT APPLICABLE	34566-1783	0	C	BLUE			70				67	66			63	62			59		57			53				
						52	51					46		44		42		40	39							34	33		
						73																	30		26	25		22	21
SALEABLE	NOT APPLICABLE	34566-1793	0	A	BLACK				69						63	62	61			58	57	56	55	54	53				
						52	51		49					44	43	42	41									37	36	35	
						73																	32		29	28	27	26	

MX123 52/66/73/80-WAY RECEPTACLE ASSY SEALED PIN OUT SHEET

STATUS	GM PART #	HRNS CONN ASSY			TPA	GROMMET CAP																				
		MATERIAL/PART	WIRE DRESS OPTION	KEY OPTION Fp	COLOR OPTION Fp	NUMBERS INDICATE CAVITIES OPEN FOR CIRCUITS																				
		NUMBER																								
SALEABLE	NOT APPLICABLE	34566-1813	0	B	ST GRAY	72	71	70		68	67	66				62	61	60	59	58	57	56	55	54	53	
						52	51	50		48	47	46				42	41	40	39	38	37	36	35	34	33	
						73				32	31	30	29	28	27	26	25	24	23							
SALEABLE	NOT APPLICABLE	34566-1823	0	A	BLACK	72	71	70	69	68		66	65	64			61		59	58		56		54	53	
						52		50	49		47					42	41			38	37	36		34	33	
						73				32	31	30	29	28	27	26		24	23	22	21	20	19	18	17	
SALEABLE	NOT APPLICABLE	34566-1833	0	A	BLACK					68		65		63		61		59	58		56					
						52		50			47					41			38	37	36		34	33		
						73				32	31	30	29	28	27		25	24	23			20	19	18	17	
SALEABLE	NOT APPLICABLE	34566-1843	0	A	BLACK					68		65		63		61		59	58		56			53		
						52		50			47					41			38	37	36		34	33		
						73				32	31	30	29	28	27		25	24	23			20	19	18	17	
SALEABLE	NOT APPLICABLE	34566-1853	0	A	BLACK			70	69	68	67		65		63		61	60			57	56	55	54	53	
						52		50	49	48	47			44	43		41	40			37	36	35	34	33	
						73						30	29	28			25	24			21	20	19	18	17	
SALEABLE	NOT APPLICABLE	34566-1863	0	B	ST GRAY					68	67		65	64	63											
											46	45		43												
						73				32		30	29	28	27											
SALEABLE	NOT APPLICABLE	34566-1873	0	C	BLUE	72		70			67	66			63	62			59		57				53	
						52	51					46		44		42		40	39						34	33
						73				32		30			27	26	25			22	21	20				
SALEABLE	NOT APPLICABLE	34566-1883	0	A	BLACK			70		68	67	66	65						58	57		55				
								49		47			44	43	42	41	40	39		37		35				
						73				32		30			27		25	24			21	20	19	18	17	
SALEABLE	NOT APPLICABLE	34566-1893	0	C	BLUE			70				66			63			59		57				53		
						52	51				46		44		42		40	39							34	33
						73				32		30			27	26	25			22	21	20				
SALEABLE	NOT APPLICABLE	34566-1913	0	B	ST GRAY	72		70		68		66					60	59					55	54	53	
						52		50		48		46					40	39						35	34	33
						73				32	31	30	29	28	27	26	25	24								
SALEABLE	NOT APPLICABLE	34566-1923	0	A	BLACK				69						63				58		56	55	54	53		
						52	51		49				44	43	42	41						36	35	34	33	
						73				32				28		26							19	18		
SALEABLE	NOT APPLICABLE	34566-1933	0	A	BLACK			70			67	66	65					58	57		55					
								49		47			44	43	42	41	40	39		37		35				
						73				32		30			27		25	24			21	20	19	18	17	
SALEABLE	NOT APPLICABLE	34566-1943	0	A	BLACK			70			67	66	65					58	57		55					
							51		49		47			44	43	42	41	40	39		37		35			
						73				32		30			27		25	24			21	20	19	18	17	
SALEABLE	NOT APPLICABLE	34566-1953	0	C	BLUE			70				66			63			59		57				53		
						52	51			48	47	46		44		42		40	39						34	33
						73						30				26	25			22	21	20				
SALEABLE	NOT APPLICABLE	34566-1963	0	C	BLUE			70				66			63			59		57				53		
						52	51				46		44		42		40	39						34	33	
						73						30				26	25			22	21	20				

MX123 52/66/73/80-WAY RECEPTACLE ASSY SEALED PIN OUT SHEET

STATUS	GM PART #	HRNS CONN ASSY			TPA	GROMMET CAP																							
		MATERIAL/PART	WIRE DRESS OPTION	KEY OPTION Fp	COLOR OPTION Fp	NUMBERS INDICATE CAVITIES OPEN FOR CIRCUITS																							
		NUMBER				Fp																							
SALEABLE	NOT APPLICABLE	34566-1973	0	A	BLACK	52	51		69														56	55	54	53			
									49						44	63	42	41								36	35	34	33
						73				32					28		26			23					21			19	18
SALEABLE	NOT APPLICABLE	34566-1983	0	B	ST GRAY																								
						73																							
SALEABLE	NOT APPLICABLE	34566-1993	0	C	BLUE																								
						73																							
SALEABLE	NOT APPLICABLE	34566-2013	0	A	BLACK		71	70					65					60	59	58	57				54	53			
							51	50	49	48		46	45		43		41	40	39		37	36	35					33	
						73				32	31	30						24	23	22		20							
SALEABLE	NOT APPLICABLE	34566-2023	0	A	BLACK			70		68	67	66	65							58	57				55				
									49		47			44	43	42	41		39		37		35						
						73				32		30				27		25	24		21	20	19	18	17				
SALEABLE	NOT APPLICABLE	34566-2033	0	A	BLACK		71	70					65	64				60	59	58	57				54	53			
							51	50	49	48		46	45		43		41	40	39		37	36	35					33	
						73				32	31	30						24	23	22		20							
SALEABLE	NOT APPLICABLE	34566-2043	0	A	BLACK			70			67	66	65						58	57				55					
									49		47			44	43	42	41		39		37		35						
						73				32		30				27		25	24		21	20	19	18	17				
SALEABLE	NOT APPLICABLE	34566-2053	0	B	ST GRAY			70		68	67	66	65						58	57				55					
									49		47			44	43	42	41		39		37		35						
						73				32		30				27		25	24	23		21	20	19	18				
SALEABLE	NOT APPLICABLE	34566-2063	0	H	ST GRAY			78						72	71	70	69	68		66	65	64	63		61				
								58	57	56			53	52		50							44	43			41		
						40			37		35	34			32		30	29		27	26						22	21	
SALEABLE	NOT APPLICABLE	34566-2073	0	H	ST GRAY			78						72	71	70	69	68		66	65	64	63		61				
								58	57	56			53	52		50							44	43			41		
						40			37		35	34			32		30	29		27	26						22	21	
SALEABLE	NOT APPLICABLE	34566-2083	0	H	ST GRAY			78						72	71	70	69	68	67	66	65	64	63		61				
								58	57	56			53	52	51	50							44	43			41		
						40			37		35	34			32		30	29		27	26						22	21	
SALEABLE	NOT APPLICABLE	34566-2093	0	A	BLACK					68			65		63		61		59	58			56						
								50			47						41		39	38	37		36			34	33		
						73				32	31	30	29	28	27		25	24	23		20	19	18	17					
SALEABLE	NOT APPLICABLE	34566-2113	0	H	ST GRAY		79	78	77	76	75	74	73	72	71	70	69	68		66	65	64	63		61				
							60	59	58	57	56	55		53	52		50						44	43	42	41			
						40	39	38	37		35	34	33	32		30	29		27	26							22	21	
SALEABLE	NOT APPLICABLE	34566-2123	0	H	ST GRAY			79	78	77	76	75	74	73	72	71	70	69	68		66	65	64	63		61			
								58	57	56	55		53	52		50							44	43	42	41			
						40	39	38	37		35	34	33	32		30	29		27	26							22	21	
SALEABLE	NOT APPLICABLE	34566-2133	0	B	ST GRAY		71	70					65	64				60	59	58	57			55	54	53			
							51	50	49	48		46	45		43		41	40	39		37	36	35					33	
						73				32	31	30						24	23	22		20							

MX123 52/66/73/80-WAY RECEPTACLE ASSY SEALED PIN OUT SHEET

STATUS	GM PART #	HRNS CONN ASSY			TPA	GROMMET CAP																					
		MATERIAL/PART	WIRE DRESS OPTION	KEY OPTION Fp	COLOR OPTION Fp	NUMBERS INDICATE CAVITIES OPEN FOR CIRCUITS																					
		NUMBER				Fp																					
SALEABLE	NOT APPLICABLE	34566-2143	0	B	ST GRAY	71	70					65				60	59	58	57			54	53				
						51	50	49	48		46	45		43		41	40	39		37	36	35			33		
						73			32	31	30					24	23	22		20							
SALEABLE	NOT APPLICABLE	34566-2153	0	A	BLACK			70		68	67	66	65					58	57		55						
								49		47			44	43	42	41		39		37							
						73			32		30			27		25	24	23		21	20	19	18				
SALEABLE	NOT APPLICABLE	34566-2163	0	A	BLACK			70			67	66				61		58		55	54						
								49		47		45	44	43	42	41		39		37			34				
						73			32					27		24			21	20	19	18	17				
SALEABLE	NOT APPLICABLE	34566-2173	0	A	BLACK			70			67	66	65			61		58		55	54						
								49		47		45	44	43	42	41		39		37			34				
						73			32		30			27		25	24		21	20	19	18	17				
SALEABLE	NOT APPLICABLE	34566-2183	0	A	BLACK			70			67	66					58	57		55							
								49		47			44	43	42	41		39		37							
						73			32					27		24			21	20	19	18	17				
SALEABLE	NOT APPLICABLE	34566-2193	0	A	BLACK			70			67	66	65				58	57		55							
								49		47			44	43	42	41		39		37			34				
						73			32		30			27		25	24		21	20	19	18	17				
SALEABLE	NOT APPLICABLE	34566-2213	9	H	ST GRAY		79	78	77	76	75	74	73	72	71	70	69	68		66	65	64	63		61		
						60	59	58	57	56			53			50							44	43		41	
						40	39	38	37		35	34	33	32		30	29		27	26			24	23	22	21	
SALEABLE	NOT APPLICABLE	34566-2223	0	A	BLACK																						
						20	19	18	17			14	13	12	11	10	9	8		6	5		3	2			
						73			32					27		24	23						19	18	17		
SALEABLE	NOT APPLICABLE	34566-2233	0	A	BLACK				69						63				58		56		54				
						52	51		49					44	43	42	41					36	35	34	33		
						73			32				28		26								19	18			
SALEABLE	NOT APPLICABLE	34566-2243	0	H	ST GRAY		79	78	77	76	75	74	73	72	71	70	69	68		66	65	64	63		61		
						60	59	58	57	56			53	52		50							44	43		41	
						40	39	38	37		35	34	33	32		30	29		27	26			24	23	22	21	
SALEABLE	NOT APPLICABLE	34566-2253	0	A	BLACK																						
						20	19	18	17	16		14	13	12	11	10	9	8		6	5		3	2			
						73			32	31	30	29	28	27	26		24	23	22	21	20	19	18	17			
SALEABLE	NOT APPLICABLE	34566-2263	0	A	BLACK				69						63				58		56		54				
						52	51	50	49					44	43	42	41					36	35	34	33		
						73			32				28		26								19	18			
SALEABLE	NOT APPLICABLE	34566-2273	0	A	BLACK				69						63	62	61			58	57	56	55	54	53		
						52	51	50	49					44	43	42	41					37	36	35	34	33	
						73			32			29	28	27	26								19	18			
SALEABLE	NOT APPLICABLE	34566-2283	0	B	ST GRAY					68	67	66	65	64	63												
									49		48		46	45	44	43											
						73			32		30	29	28	27													17
SALEABLE	NOT APPLICABLE	34566-2293	0	C	BLUE				70		68		66		63				59		57			53			
						52	51			48	47	46		44		42		40	39						34	33	
						73					30				26	25			22	21							

MX123 52/66/73/80-WAY RECEPTACLE ASSY SEALED PIN OUT SHEET

STATUS	GM PART #	HRNS CONN ASSY			TPA	GROMMET CAP																				
		MATERIAL/PART	WIRE DRESS OPTION	KEY OPTION Fp	COLOR OPTION Fp	NUMBERS INDICATE CAVITIES OPEN FOR CIRCUITS																				
		NUMBER				Fp																				
SALEABLE	NOT APPLICABLE	34566-2813	9	B	ST GRAY	72	71	70	69	68	67	66	65	64		62	61	60	59	58	57	56	55	54		
						52	51	50	49	48		46		44				40				37	36			
						73				32	31	30	29	28	27		25	24				21	20			18
SALEABLE	NOT APPLICABLE	34566-2823	0	A	BLACK						67	66														
											47					41										
						73				32	31	30	29		27		25			22	21			19	18	17
SALEABLE	NOT APPLICABLE	34566-2833	0	B	ST GRAY	72	71	70	69	68	67	66	65			61	60				57	56	55	54		
						52	51	50	49	48		46		44				40				37	36			
						73				32	31	30	29	28	27			24			21	20	19	18	17	
SALEABLE	NOT APPLICABLE	34566-2843	0	A	BLACK						67	66														
											47					41										
						73				32	31	30	29		27		25			22	21			19	18	17
SALEABLE	NOT APPLICABLE	34566-2853	0	B	ST GRAY	72	71	70	69	68	67	66	65	64	63		61	60				57	56	55	54	
						52	51	50	49	48		46		44				40				37	36			
						73				32	31	30	29	28	27			24			21	20	19	18	17	
SALEABLE	NOT APPLICABLE	34566-2863	0	A	BLACK						67	66														
											47					41										
						73				32	31	30	29		27		25			22	21			19	18	17
SALEABLE	NOT APPLICABLE	34566-2873	0	B	ST GRAY	72	71	70	69	68	67	66							59	58	57	56	55	54		
						52	51	50	49	48	47							40			39	38	37	36	35	33
						73					15					11	10		8		6	5	4	3		
SALEABLE	NOT APPLICABLE	34566-2883	0	A	BLACK			70	69						63	62	61			58	57	56	55	54	53	
						52	51		49				44	43	42	41					37	36			34	
						73				32			29	28	27	26									19	18
SALEABLE	NOT APPLICABLE	34566-2893	0	A	BLACK				69		67	66	65		63			60			57	56		53		
									49		47	46		44	43			40			37	36	35		33	
						73					31	30	29	28				24			21	20				
SALEABLE	NOT APPLICABLE	34566-2913	0	B	ST GRAY					68	67			64					58							
												46	45							38						
						73				32		30	29	28	27				22							17
SALEABLE	NOT APPLICABLE	34566-2923	0	B	ST GRAY						15															
												46	45													
						73				32		30	29	28	27											17
SALEABLE	NOT APPLICABLE	34566-2933	0	A	BLACK	72			69		67	66	65		63			60			57	56		53		
									49		47			44	43			40			37	36	35		33	
						73					31	30	29	28				24			21	20			17	
SALEABLE	NOT APPLICABLE	34566-2943	0	B	ST GRAY					68	67			64	63			59		57						
												46	45			43			39		37					
						73				32		30	29	28	27					21						
SALEABLE	NOT APPLICABLE	34566-2953	0	B	ST GRAY						15															
												46	45													
						73				32		30	29	28	27										34	
SALEABLE	NOT APPLICABLE	34566-2963	0	H	ST GRAY		79						74	73	72	71		69	68	67		64		62	61	
							59						54	53	52			49	48	47					42	41
								38						33					29	28	27		25			

MX123 52/66/73/80-WAY RECEPTACLE ASSY SEALED PIN OUT SHEET

STATUS	GM PART #	HRNS CONN ASSY			TPA	GROMMET CAP																						
		MATERIAL/PART	WIRE DRESS OPTION	KEY OPTION Fp	COLOR OPTION Fp	NUMBERS INDICATE CAVITIES OPEN FOR CIRCUITS																						
		NUMBER				Fp																						
SALEABLE	NOT APPLICABLE	34566-2973	0	G	BLUE	80		78	77		75	74	73	72		70	69		67		65	64	63	62				
						60		58	57		55	54		52	51	50	49		47		45							
						40		38	37					33	32	31				27	26	25	24					
						20		18	17									10	9	8		6	5			3	2	1
SALEABLE	NOT APPLICABLE	34566-9913	0	A	BLACK	72	71			68	67	66	65	64					59									
								50		48	47	46	45					40	39	38								
						73					31	30						25	24		22	21	20				17	
												14							9	7	6	5	4			2	1	
SALEABLE	NOT APPLICABLE	34566-9923	0	A	BLACK	72	71				67	66				62	61	60			57			55	54			
							51			48		46	45	44	43	42			39						35		33	
						73												26	25	24								
												15	14							8	7	6	5	4	3	2		
SALEABLE	NOT APPLICABLE	34566-9933	0	B	ST GRAY				69				65	64	63													
									49				45	44	43													
						73															22	21	20	19	18	17		
																12	11				6	5	4	3	2	1		
SALEABLE	NOT APPLICABLE	34566-9943	0	C	BLUE		71		69				65	64			61	60			58		56	55	54			
								50	49				45		43		41					37	36	35				
						73					31		29	28				24	23						19	18	17	
													13	12	11				8	7					3	2	1	
SALEABLE	NOT APPLICABLE	34566-9953	0	A	BLACK					67						62				57								
							51			48		46	45	44	43				39						35			
						73													25									
												15	14							7	6	5	4	3	2			
SALEABLE	NOT APPLICABLE	34566-9963	0	B	ST GRAY					68	67			64	63					58			55					
												46	45		43					38				35				
						73					32		30	29	28	27				22				19		17		
												15		13				10									1	
SALEABLE	NOT APPLICABLE	34566-9973	0	B	ST GRAY					68	67			64	63					58								
												46	45		43					38								
						73					32		30	29	28	27				22							17	
												15		13				10										
SALEABLE	NOT APPLICABLE	34566-2983	9	A	BLACK				70	69					63	62	61			58	57	56	55	54	53			
						52	51		49					44	43	42	41					37	36			34		
						73					32			29	28	27	26								19	18	17	
											16	15		13	12	11	10								3	2	1	
SALEABLE	NOT APPLICABLE	34566-2993	9	B	ST GRAY	72	71	70		68	67	66				62	61	60	59	58	57	56	55	54	53			
						52	51	50		48	47	46				42	41	40	39	38	37	36	35	34	33			
						73					32	31	30	29	28	27	26	25	24									
											16	15	14	13				10	9	8								
SALEABLE	NOT APPLICABLE	34566-3013	9	C	BLUE	72	71	70	69	68	67	66			63	62			59		57	56	55		53			
						52	51					46		44		42		40	39	38						34	33	
						73					32		30				26	25			22	21			19	18		
												15	14				10	9			6	5	4	3				
SALEABLE	NOT APPLICABLE	34566-3023	0	G	BLUE		79			76					71			68		66				61				
							59			56				53					30	29	28			44	43	42	41	
							39			36	35	34														23	22	21
							19			16	15	14	13	12	11						7				4			
SALEABLE	NOT APPLICABLE	34566-3033	0	H	ST GRAY	80		78	77	76	75					70				66	65		63					
						60		58	57	56	55				51	50				46	45	44	43					
						40	39		37	36	35	34		32	31	30			28		26		24	23	22			
						20	19	18	17	16				13	12						6	5	4	3	2	1		
SALEABLE	NOT APPLICABLE	34566-3043	0	C	BLUE	72	71	70		68		66			63	62			59		57				53			
						52	51			48	47	46		44		42		40	39							34	33	
						73					32		30				27	26	25			22	21	20				
												15	14	13				10	9			6	5	4				
SALEABLE	NOT APPLICABLE	34566-3053	0	C	BLUE	72		70		68		66			63	62			59		57				53			
						52	51			48	47	46		44		42		40	39	38						34	33	
						73					32		30				27	26	25			22	21	20				
												15	14	13				10	9			6	5	4				

MX123 52/66/73/80-WAY RECEPTACLE ASSY SEALED PIN OUT SHEET

STATUS	GM PART #	HRNS CONN ASSY			TPA	GROMMET CAP																					
		MATERIAL/PART	WIRE DRESS OPTION	KEY OPTION Fp	COLOR OPTION Fp	NUMBERS INDICATE CAVITIES OPEN FOR CIRCUITS																					
		NUMBER				Fp																					
SALEABLE	NOT APPLICABLE	34566-3063	0	A	BLACK	52	71		69				65	64	63		60		58	57	56	55	54	53			
							51		49				45	44	43	42	41					37	36	35	34	33	
						73				32		30			28		26								19	18	
SALEABLE	NOT APPLICABLE	34566-3073	0	A	BLACK	52	71		69				65	64	63		60		57	56	55	54	53				
							51		49				45	44	43	42	41					37	36	35	34	33	
						73				32		30			28		26		23						19	18	
SALEABLE	NOT APPLICABLE	34566-3083	0	A	BLACK	52	71		69				65	64	63		60		58	57	56	55	54	53			
							51		49				45	44	43	42	41					37	36	35	34	33	
						73				32		30			28		26								19	18	
SALEABLE	NOT APPLICABLE	34566-3093	0	A	BLACK	52	71		69				65	64	63		60		57	56	55	54	53				
							51		49				45	44	43	42	41					37	36	35	34	33	
						73				32		30			28		26		23						19	18	
SALEABLE	NOT APPLICABLE	34566-3113	0	A	BLACK	52	71		69				65	64	63		60		57	56	55	54	53				
							51		49				45	44	43	42	41					37	36	35	34	33	
						73				32		30			28		26		23		21				19	18	
SALEABLE	NOT APPLICABLE	34566-3123	0	B	ST GRAY	72		70		68		66				60	59						55	54	53		
						52		50		48		46				40	39								35	34	33
						73				32	31	30	29	28	27	26	25	24									
SALEABLE	NOT APPLICABLE	34566-3133	0	C	BLUE	72		70		68	67	66			63	62		59		57					53		
						52	51			48	47	46		44		42		40	39							34	33
						73				32		30			26	25		22	21	20							
SALEABLE	NOT APPLICABLE	34566-3143	0	C	BLUE	72		70				66			63	62		59		57					53		
						52	51					46		44		42		40	39							34	33
						73				32		30			26	25		22	21								
SALEABLE	NOT APPLICABLE	34566-3153	0	A	BLACK	52	71		69						63			58		56				54			
							51		49				47		44	43	42	41					36			34	
						73				32					28		26									19	18
SALEABLE	NOT APPLICABLE	34566-3163	0	C	BLUE	72		70							63	62		59		57	56	55		53			
						52	51					46		44		42		40	39						34	33	
						73				32		30			26	25		22	21						19	18	
SALEABLE	NOT APPLICABLE	34566-3173	0	A	BLACK	52	71		69						63			58		56				54			
							51		49				47		44	43	42	41					36			34	
						73				32					28		26									19	18
SALEABLE	NOT APPLICABLE	34566-3183	0	C	BLUE	72		70				66			63	62		59		57	56	55		53			
						52	51					46		44		42		40	39						34	33	
						73				32		30			26	25		22	21								
SALEABLE	NOT APPLICABLE	34566-3193	0	A	BLACK	52	71		69						63			58		56	55	54	53				
							51		49				47		44	43	42	41					36	35	34	33	
						73				32					28		26								19	18	17
SALEABLE	NOT APPLICABLE	34566-3213	0	C	BLUE	72		70				67	66			63	62		59		56				53		
						52	51					46		44		42		40	39						34	33	
						73				32		30			26	25		22	21								
SALEABLE	NOT APPLICABLE	34566-3223	0	C	BLUE	72		70				67	66			63	62		59		57				53		
						52	51					46		44		42		40	39						34	33	
						73				32		30			27	26	25		22	21							

MX123 52/66/73/80-WAY RECEPTACLE ASSY SEALED PIN OUT SHEET

STATUS	GM PART #	HRNS CONN ASSY			TPA	GROMMET CAP																										
		MATERIAL/PART	WIRE DRESS OPTION	KEY OPTION Fp	COLOR OPTION Fp	NUMBERS INDICATE CAVITIES OPEN FOR CIRCUITS																										
		NUMBER				Fp																										
SALEABLE	NOT APPLICABLE	34566-3233	0	A	BLACK	70	69									63	62	61					58	57	56	55	54	53				
						52	51		49					44	43	42	41											36		19	18	
						73			32			29	28	27	26															3		
SALEABLE	NOT APPLICABLE	34566-3243	0	C	BLUE	72		70							66								59		57				53			
						52	51						46		44		42			40	39									34	33	
						73			32		30					26	25			22	21											
SALEABLE	NOT APPLICABLE	34566-3253	0	A	BLACK	70	69																58		56	55	54	53				
						52	51		49					44	43	42	41											36		34		
						73			32					28		26														19	18	
SALEABLE	NOT APPLICABLE	34566-3263	0	C	BLUE	72		70							66								59		57	56	55	54	53			
						52	51						46		44		42			40	39									34	33	
						73			32		30					26	25			22	21									19	18	
SALEABLE	NOT APPLICABLE	34566-3273	0	A	BLACK	70	69																58		56	55	54	53				
						52	51		49					44	43	42	41											36		34		
						73			32					28		26														19	18	
SALEABLE	NOT APPLICABLE	34566-3283	0	C	BLUE	72		70							66								59		57	56	55	54	53			
						52	51						46		44		42			40	39									34	33	
						73			32		30					26	25			22	21									19	18	
SALEABLE	NOT APPLICABLE	34566-3293	0	B	ST GRY	72	71	70		68	67	66							62	61	60	59	58	57	56	55	54	53				
						52	51	50		48	47							42	41	40	39	38	37	36	35	34	33					
						73			32	31	30	29	28	27	26	25	24	23														
SALEABLE	NOT APPLICABLE	34566-3313	0	C	BLUE	72		70																								
						52	51						46		44		42			40	39									34	33	
						73			32		30					26	25			22	21											
SALEABLE	NOT APPLICABLE	34566-3323	0	B	ST GRY				49	68	67	66	65	64	63																	
										48		46	45	44	43																	
						73			32		30	29	28	27																		17
SALEABLE	NOT APPLICABLE	34566-3333	0	A	BLACK	72	71	70	69	68																						
						52	51	50	49																							
						73			32	31	30	29	28	27	26		24	23											20	19	18	17
SALEABLE	NOT APPLICABLE	34566-3343	0	A	BLACK	72			69																							
									49																							
						73			32		30	29	28			26		24											21	20		17
SALEABLE	NOT APPLICABLE	34566-3353	0	B	ST GRY					68	67			64																		
						73			32		30	29	28	27																		17
SALEABLE	NOT APPLICABLE	34566-3363	0	A	BLACK		71		69	68																						
						52		50	49																							
						73			32	31	30	29	28	27	26		24	23	22										20	19	18	
SALEABLE	NOT APPLICABLE	34566-3373	9	C	BLUE	72		70																								
						52	51						48	47	46		44			42		40	39	38							34	33
						73			32		30					26	25			22	21									19	18	
SALEABLE	NOT APPLICABLE	34566-3383	0	A	BLACK			70	69	68																						
						52		50	49																							
						73			32	31	30	29	28	27	26		24	23											20	19	18	1

MX123 52/66/73/80-WAY RECEPTACLE ASSY SEALED PIN OUT SHEET

STATUS	GM PART #	HRNS CONN ASSY			TPA	GROMMET CAP																				
		MATERIAL/PART	WIRE DRESS OPTION	KEY OPTION Fp	COLOR OPTION Fp	NUMBERS INDICATE CAVITIES OPEN FOR CIRCUITS																				
		NUMBER				Fp																				
SALEABLE	NOT APPLICABLE	34566-3733	0	B	ST GRY	72	71	70		68	67	66				62	61	60	59	58	57	56	55	54	53	
						52	51	50		48	47	46				42	41	40	39	38	37	36	35	34	33	
						73				32	31	30	29	28	27	26	25	24	23							
SALEABLE	NOT APPLICABLE	34566-3743	0	C	BLUE	72		70		68		66			63	62			59		57			53		
						52	51			48	47	46		44		42		40	39	38					34	33
						73				32		30			27	26	25			22	21					
SALEABLE	NOT APPLICABLE	34566-3753	0	C	BLUE	72		70		68		66			63	62			59		57			53		
						52	51			48	47	46		44		42		40	39						34	33
						73				32		30			27	26	25			22	21					
SALEABLE	NOT APPLICABLE	34566-3763	0	C	BLUE	72		70		68		66			63	62			59		57	56	55	54	53	
						52	51			48	47	46		44		42		40	39						34	33
						73				32		30			27	26	25			22	21					
SALEABLE	NOT APPLICABLE	34566-3773	0	A	BLACK			70	69						63				58		56	55	54	53		
						52	51	50	49					44	43	42	41		39					36		34
						73				32					28		26								19	18
SALEABLE	NOT APPLICABLE	34566-3783	0	A	BLACK			70	69						63				58		56	55	54	53		
						52	51	50	49					44	43	42	41		39					36		34
						73				32					28		26								19	18
SALEABLE	NOT APPLICABLE	34566-3793	0	A	BLACK		71	70						64	63			60		58	57	56	55	54	53	
						52	51		49				45	44	43	42	41				37	36			34	
						73				32		30			28		26		23		21			19	18	
SALEABLE	NOT APPLICABLE	34566-3813	0	C	BLUE	72		70		68		66			63	62			59		57			53		
						52	51			48	47	46		44		42		40	39	38	37	36			34	33
						73				32		30				26	25	24			22	21	20			
SALEABLE	NOT APPLICABLE	34566-3823	0	A	BLACK			70	69						63		61			58	57	56	55	54	53	
						52	51		49					44	43		41				37	36			34	
						73				32					27	26									19	18
SALEABLE	NOT APPLICABLE	34566-3833	0	A	BLACK			70	69						63	62	61			57	56	55	54	53		
						52	51		49					44	43	42	41				37	36			34	
						73				32			29	28	27	26			23						19	18
SALEABLE	NOT APPLICABLE	34566-3843	0	A	BLACK	72	71	70	69	68	67	66			64	63	62		60	59			55	54	53	
						52			49	48				44	43	42	41	40	39					35	34	33
						73				32			29	28	27		25	24	23						19	18
SALEABLE	NOT APPLICABLE	34566-3853	0	A	BLACK	72	71	70	69	68	67	66	65	64	63	62		60	59			55	54	53		
						52			49	48			45	44	43	42	41	40	39					35	34	33
						73				32			29	28	27		25	24	23						19	18
SALEABLE	NOT APPLICABLE	34566-3863	0	B	ST GRY	72	71	70		68	67	66				62	61	60	59	58	57	56	55	54	53	
						52	51	50		48	47	46				42	41	40	39	38	37	36	35	34	33	
						73				32	31	30	29	28	27	26	25	24								
SALEABLE	NOT APPLICABLE	34566-3873	0	B	ST GRY										63				59	58	57	56	55			
								50	49	48		46	45		43					39	38	37	36	35	34	
						73							29	27						23	22	21				18
SALEABLE	NOT APPLICABLE	34566-3883	0	B	ST GRY						67	66						59	58	57	56	55		53		
								50	49	48			45						39	38	37	36	35	34	33	
						73							29						23	22	21				18	

MX123 52/66/73/80-WAY RECEPTACLE ASSY SEALED PIN OUT SHEET

STATUS	GM PART #	HRNS CONN ASSY			TPA	GROMMET CAP																							
		MATERIAL/PART	WIRE DRESS OPTION	KEY OPTION Fp	COLOR OPTION Fp	NUMBERS INDICATE CAVITIES OPEN FOR CIRCUITS																							
		NUMBER				Fp																							
SALEABLE	NOT APPLICABLE	34566-4063	0	B	ST GRY					68	67			64					59	58					54				
SALEABLE	NOT APPLICABLE	34566-4073	0	A	BLACK	72			70																				
						52	51																						
SALEABLE	NOT APPLICABLE	34566-4083	0	C	BLUE	72			70																				
						52	51																						
SALEABLE	NOT APPLICABLE	34566-4093	0	A	BLACK		71	70	69																				
						52	51		49																				
SALEABLE	NOT APPLICABLE	34566-4113	0	B	ST GRY					68	67			64															
SALEABLE	NOT APPLICABLE	34566-4123	9	A	BLACK	72				69																			
									49																				
SALEABLE	NOT APPLICABLE	34566-4133	9	B	ST GRY					68	67			64															
SALEABLE	NOT APPLICABLE	34566-4143	0	B	ST GRY					68	67			64															
SALEABLE	NOT APPLICABLE	34566-4153	0	B	ST GRY	72			70																				
						52			50																				
SALEABLE	NOT APPLICABLE	34566-4163	0	B	ST GRY	72			70																				
						52			50																				
SALEABLE	NOT APPLICABLE	34566-4173	0	A	BLACK	72	71	70	69																				
						52	51		49																				
SALEABLE	NOT APPLICABLE	34566-4183	0	C	BLUE	72			70																				
						52	51																						
SALEABLE	NOT APPLICABLE	34566-4193	0	C	BLUE		71		69																				
									50	49																			
SALEABLE	NOT APPLICABLE	34566-4213	0	A	BLACK	72	71			68	67	66	65	64															
									50																				
SALEABLE	NOT APPLICABLE	34566-4223	0	A	BLACK	72	71			68	67	66	65	64															
									50																				

MX123 52/66/73/80-WAY RECEPTACLE ASSY SEALED PIN OUT SHEET

STATUS	GM PART #	HRNS CONN ASSY			TPA	GROMMET CAP																					
		MATERIAL/PART	WIRE DRESS OPTION	KEY OPTION Fp		COLOR OPTION Fp	NUMBERS INDICATE CAVITIES OPEN FOR CIRCUITS																				
		NUMBER					Fp																				
SALEABLE	NOT APPLICABLE	34566-4393	0	G	BLUE			78	77		75	74		72		70	69		67		65	64	63	62			
						60		58	57		55	54		52	51	50	49		47		45						
						40		38	37				33	32	31					27	26	25	24				
SALEABLE	NOT APPLICABLE	34566-4413	0	B	ST GRAY																						
								50	49	48		46		43				39	38	37	36	35	34	33			
								73					29		27				23	22	21			18			
SALEABLE	NOT APPLICABLE	34566-4423	9	C	BLUE			70		68	67	66		63	62		59		57								
						52	51			48	47	46		44		42		40	39	38	37	36			34	33	
								73					32		30			27	26	25	24		22	21			
SALEABLE	NOT APPLICABLE	34566-4433	9	A	BLACK			70	69					63	62	61	60		58	57	56	55	54	53			
						52	51	50	49					44	43	42	41	40				37	36			34	
								73					32		29	28	27	26								19	18
SALEABLE	NOT APPLICABLE	34566-4443	9	A	BLACK						67	66															
										48	47						41										
								73					32	31	30	29		27	26	25			22	21		19	18
SALEABLE	NOT APPLICABLE	34566-4453	0	A	BLACK																						
								70	69			68		65	64	63	62	61	60	59	58	57	56	55	54	53	
						52	51	50	49	48		46	45	44	43	42		40	39	38	37	36	35	34	33		
SALEABLE	NOT APPLICABLE	34566-4463	9	B	ST GRAY																						
										48	47		45		43	42		39						35	34	33	
								73									11									19	
SALEABLE	NOT APPLICABLE	34566-4473	0	B	ST GRAY								64	63	62		59	58							53		
											47		45		43	42		39							35	34	33
								73										26	25		23	22					
SALEABLE	NOT APPLICABLE	34566-4483	9	C	BLUE			70		68	67	66		63	62		59	58	57	56	55			53			
						52	51		49	48	47	46		44			40	39	38	37	36			34	33		
								73					32		30			27	26	25	24	23	22	21	20	19	18
SALEABLE	NOT APPLICABLE	34566-4493	9	A	BLACK			70	69		67		64	63	62	61	60	59	58	57	56	55	54	53			
						52	51	50	49	48	47		45	44	43	42	41	40	39		37	36			34		
								73					32		30	29	28	27	26		24	23		21		19	18
SALEABLE	NOT APPLICABLE	34566-4513	9	B	ST GRAY			70		68	67	66															
						52	51	50		48	47	46					42	41	40	39	38	37	36	35	34	33	
								73					32	31	30	29	28	27	26	25	24	23				19	18
SALEABLE	NOT APPLICABLE	34566-4523	0	G	BLUE			78	77		75	74		72		70	69		67		65	64	63	62			
						60		58	57		55	54		52	51	50	49		47		45						
						40		38	37							31				27	26	25	24				
SALEABLE	NOT APPLICABLE	34566-4533	0	A	BLACK				69		67		65		63		60		57	56					53		
									49		47		44	43				40				37	36	35			33
								73						31	30	29	28				24			21	20		
SALEABLE	NOT APPLICABLE	34566-4543	0	B	ST GRAY					68	67			64	63				58	57		55		53			
											46	45		43								38	37		35		
								73					32		30	29	28	27					22	21		19	
SALEABLE	NOT APPLICABLE	34566-4553	0	B	ST GRAY					68	67			64	63				58	57				53			
											46	45		43								38	37				
								73					32		30	29	28	27					22	21			

MX123 52/66/73/80-WAY RECEPTACLE ASSY SEALED PIN OUT SHEET

STATUS	GM PART #	HRNS CONN ASSY			TPA	GROMMET CAP																						
		MATERIAL/PART	WIRE DRESS OPTION	KEY OPTION △ Fp	COLOR OPTION △ Fp	NUMBERS INDICATE CAVITIES OPEN FOR CIRCUITS △ Fp																						
		NUMBER																										
SALEABLE	NOT APPLICABLE	34566-4563	0	B	ST GRAY					68	67			64	63					58			55		53			
						73					32		46	45	28	27											22	
SALEABLE	NOT APPLICABLE	34566-4573	0	B	ST GRAY					68	67			64	63					58			55		53			
						73					32		46	45	28	27												
SALEABLE	NOT APPLICABLE	34566-4583	0	B	ST GRAY					68	67			64	63					58			55		53			
						73					32		46	45	28	27												
SALEABLE	NOT APPLICABLE	34566-4593	0	B	ST GRAY					68	67			64	63					58			55		53			
						73					32		46	45	28	27												
SALEABLE	NOT APPLICABLE	34566-4613	0	A	BLACK	72			69			67	66	65		63			60			57	56			53		
									49					44	43	42		40					37	36	35			33
						73							31	30	29	28	27	26		24					21	20		
SALEABLE	NOT APPLICABLE	34566-4623	0	B	ST GRAY	72		70		68		66					60	59						55	54	53		
						52		50		48		46					40	39								35	34	33
						73					32	31	30	29	28	27	26	25	24	23								
SALEABLE	NOT APPLICABLE	34566-4633	0	A	BLACK		71	70	69					64	63			60	59	58		56	55	54	53			
						52	51		49			47		45	44	43	42	41					38		36		34	
						73					32		30		28		26							21		19		18
SALEABLE	NOT APPLICABLE	34566-4643	0	B	ST GRAY			70		68		66					60	59					55	54	53			
						52		50		48		46					40	39								35	34	33
						73					32	31	30	29	28	27	26	25	24	23								
SALEABLE	NOT APPLICABLE	34566-4653	0	A	BLACK		71	70	69					64	63			60	59	58		56	55	54	53			
						52	51		49			47		45	44	43	42	41					38		36		34	
						73					32		30		28		26							21		19		18
SALEABLE	NOT APPLICABLE	34566-4663	0	A	BLACK			70		68		66					60	59					55	54	53			
						52		50		48		46					40	39								35	34	33
						73					32	31	30	29	28	27	26	25	24	23								
SALEABLE	NOT APPLICABLE	34566-4673	0	A	BLACK							67	66															
						73					32	31	30	29		27	26	25					22	21		19	18	17
SALEABLE	NOT APPLICABLE	34566-4683	9	B	ST GRAY	72	71	70	69	68	67	66	65	64		62	61	60	59	58	57	56	55	54				
						52	51	50	49			46		44			41	40		38	37	36						
						73					32	31	30	29	28	27		25	24		21	20		18	17			
SALEABLE	NOT APPLICABLE	34566-4693	0	B	ST GRAY			70		68		66					60	59					55	54				
						52	51	50	49			46		44			41	40		38	37	36						
						73					32	31	30	29	28	27		24			21	20	19	18	17			
SALEABLE	NOT APPLICABLE	34566-4713	0	A	BLACK		71	70	69					64	63			60	59					55	54	53		
						52	51		49			47		45	44	43	42	41							36		34	
						73					32		30		28		26							23		19		18
SALEABLE	NOT APPLICABLE	34566-4723	0	A	BLACK		71	70	69					64	63			60	59	58		56	55	54	53			
						52	51		49			47		45	44	43	42	41							36		34	
						73					32		30		28		26									19		18

MX123 52/66/73/80-WAY RECEPTACLE ASSY SEALED PIN OUT SHEET

STATUS	GM PART #	HRNS CONN ASSY			TPA	GROMMET CAP																					
		MATERIAL/PART	WIRE DRESS OPTION	KEY OPTION Fp	COLOR OPTION Fp	NUMBERS INDICATE CAVITIES OPEN FOR CIRCUITS																					
		NUMBER				Fp																					
SALEABLE	NOT APPLICABLE	34566-4733	0	A	BLACK	72	71	70	69					64	63			60	59	58		56	55	54	53		
						52	51		49		47		45	44	43	42	41					21		36		19	18
						73				32		30		28		26						8		5		3	
SALEABLE	NOT APPLICABLE	34566-4743	9	A	BLACK	72	71	70	69		67		65	64	63	62	61	60	59	58	57	56	55	54	53		
						52	51	50	49	48	47		45	44	43	42	41	40	39		37	36			34		
						73				32		30	29	28	27	26		24	23		21				19	18	17
SALEABLE	NOT APPLICABLE	34566-4753	0	B	ST GRAY					68	67			64					58								
											46	45								38							
						73				32		30	29	28	27					22							17
SALEABLE	NOT APPLICABLE	34566-4763	0	B	ST GRAY					68	67			64													
											46	45															
						73				32		30	29	28	27												17
SALEABLE	NOT APPLICABLE	34566-4773	0	B	ST GRAY					68	67			64				59	58					54			
											46	45						39	38								
						73				32		30	29	28	27				23	22							17
SALEABLE	NOT APPLICABLE	34566-4783	0	B	ST GRAY					68	67			64	63					55							
											46	45		43						38				35			
						73				32		30	29	28	27					22					19		17
SALEABLE	NOT APPLICABLE	34566-4793	0	B	ST GRAY					68	67			64	63					58							
											46	45		43					38								
						73				32		30	29	28	27					22							17
SALEABLE	NOT APPLICABLE	34566-4813	9	B	ST GRAY					68	67			64				59	58					54			
											46	45						39	38								
						73				32		30	29	28	27				23	22							17
SALEABLE	NOT APPLICABLE	34566-4823	0	C	BLUE					68	67	66	65	64				59	58	57		55	54	53			
							51	50	49	48		46	45		43	42	41	40	39	38	37		35			33	
						73				32	31	30					26		24	23	22			20			
SALEABLE	NOT APPLICABLE	34566-4833	0	C	BLUE	72			70		68	67	66			63	62			59		57			53		
						52	51			48	47	46		44		42		40	39		37	36			34	33	
						73				32		30			27	26	25	24		22	21						
SALEABLE	NOT APPLICABLE	34566-4843	0	C	BLUE	72			70		68	67	66			63	62			59		57			53		
						52	51			48	47	46		44		42		40	39	38	37	36			34	33	
						73				32		30			27	26	25	24		22	21						
SALEABLE	NOT APPLICABLE	34566-4853	0	C	BLUE	72			70		68		66			63	62			59		57	56	55	53		
						52	51			48	47	46		44		42		40	39		37	36			34	33	
						73				32		30			27	26	25	24		22	21			19	18		
SALEABLE	NOT APPLICABLE	34566-4863	0	C	BLUE	72			70		68		66			63	62			59		57			53		
						52	51			48	47	46		44		42		40	39	38	37	36			34	33	
						73				32		30			27	26	25	24		22	21						
SALEABLE	NOT APPLICABLE	34566-4873	0	C	BLUE	72			70		68		66			63	62			59		57			53		
						52	51			48	47	46		44		42		40	39		37	36			34	33	
						73				32		30			27	26	25	24		22	21						
SALEABLE	NOT APPLICABLE	34566-4883	9	A	BLACK	72			69		67		65		63			60			57	56			53		
									49		47	46		44	43			40			37	36	35			33	
						73				32		30	29	28				24			21	20					17

MX123 52/66/73/80-WAY RECEPTACLE ASSY SEALED PIN OUT SHEET

STATUS	GM PART #	HRNS CONN ASSY			TPA	GROMMET CAP																						
		MATERIAL/PART	WIRE DRESS OPTION	KEY OPTION Fp	COLOR OPTION Fp	NUMBERS INDICATE CAVITIES OPEN FOR CIRCUITS																						
		NUMBER				Fp																						
SALEABLE	NOT APPLICABLE	34566-4893	9	B	ST GRY					68	67			64	63					58			55					
												46	45			43						38			35			
						73								32		30	29	28	27					22			19	
SALEABLE	NOT APPLICABLE	34566-4913	9	B	ST GRY					68	67			64	63					58	57		55		53			
												46	45			43						38	37		35			
						73								32		30	29	28	27					22	21		19	
SALEABLE	NOT APPLICABLE	34566-4923	9	A	BLACK	72			69		67			65		63			60			57	56		53			
									49					44	43			40				37	36	35			33	
						73								32		31	30	29	28			24			21	20		17
SALEABLE	NOT APPLICABLE	34566-4933	0	C	BLUE	72			70		68	67	66			63	62			59			57		53			
						52	51				48	47	46			44			40	39			37	36	35	34	33	
						73								32		30			27	26	25	24			22	21		
SALEABLE	NOT APPLICABLE	34566-4943	0	A	BLACK			70	69	68	67				63	62	61	60	59	58	57	56	55	54	53			
						52	51	50	49					44	43	42	41		39	38	37	36			34			
						73								32	31		29	28	27	26	25		23			19	18	
SALEABLE	NOT APPLICABLE	34566-4953	0	B	ST GRY	72	71	70	69		68	67	66	65	64	63				59					53			
						52	51	50	49		48	47	46	45	44	43				39						34	33	
						73								32	31	30	29	28	27	26	25	24	23			19	18	17
SALEABLE	NOT APPLICABLE	34566-4963	9	A	BLACK	72			69		67	66	65			63			60			57	56		53			
									49					44	43	42			40				37	36	35		33	
						73								32		31	30	29	28	27	26		24			21	20	
SALEABLE	NOT APPLICABLE	34566-4973	9	B	ST GRY					68	67			64					59	58				54				
														46	45	44	43					39	38					
						73								32		30	29	28	27					23	22			17
SALEABLE	NOT APPLICABLE	34566-4983	0	B	ST GRY	72			70		68		66					60	59					55	54	53		
						52		50			48		46			44			40	39						35	34	33
						73								32	31	30	29	28	27	26	25	24	23			19	18	17
SALEABLE	NOT APPLICABLE	34566-4993	0	A	BLACK	72	71	70	69		67			64	63			60	59				56	55	54	53		
						52	51		49		47			45	44	43	42	41						36		34		
						73								32		30		28		26						19	18	
SALEABLE	NOT APPLICABLE	34566-5013	9	B	ST GRY					68	67			64	63			59	58				55	54				
														46	45	44	43					39	38			35		
						73								32		30	29	28	27					23	22		19	
SALEABLE	NOT APPLICABLE	34566-5023	0	C	BLUE	72			70		68	67			63	62			59			57			53			
						52	51				48	47	46			44			42		40	39			37	36	34	33
						73								32		30				26	25	24			22	21	20	
SALEABLE	NOT APPLICABLE	34566-5033	0	A	BLACK			70	69						63	62	61	60			58	57	56	55	54	53		
						52	51		49					44	43	42	41							37	36	35	34	33
						73								32			29	28	27	26	25						19	18
SALEABLE	NOT APPLICABLE	34566-5043	0	A	BLACK																							
						73																						
SALEABLE	NOT APPLICABLE	34566-5053	0	B	ST GRY																							
						73																						

MX123 52/66/73/80-WAY RECEPTACLE ASSY SEALED PIN OUT SHEET

STATUS	GM PART #	HRNS CONN ASSY			TPA	GROMMET CAP																						
		MATERIAL/PART	WIRE DRESS OPTION	KEY OPTION Fp		COLOR OPTION Fp	NUMBERS INDICATE CAVITIES OPEN FOR CIRCUITS																					
		NUMBER					Fp																					
SALEABLE	NOT APPLICABLE	34566-5063	9	H	ST GRY	80	79	78	77	76	75	74	73	72	71	70	69	68	67	66	65	64	63	62	61			
						60	59	58	57	56	55	54	53	52	51	50	49	48	47	46	45	44	43	42	41	40		
						40	39	38	37		35	34	33	32		30	29		27	26		24	23	22	21			
						20	19	18	17			14	13	12	11	10	9	8		6	5			3	2			
SALEABLE	NOT APPLICABLE	34566-5073	9	A	BLACK	72	71	70	69	68	67	66	65	64	63	62	61	60	59	58	57	56	55	54	53			
						52	51	50	49	48	47	46	45	44	43	42	41	40	39	38	37	36		34	33			
						73				32	31	30	29	28	27	26		24	23	22	21	20	19	18				
										16			13	12	11	10	9	8										1
SALEABLE	NOT APPLICABLE	34566-5083	9	A	BLACK			70	69						63	62	61	60		58	57	56	55	54	53			
						52	51		49				44	43	42	41			38	37					34			
						73				32			29	28	27	26			23						19	18		
										16	15		13	12	11	10		8							3			
SALEABLE	NOT APPLICABLE	34566-5093	0	B	ST GRY	72	71	70	69	68	67	66	65	64	63	62	61	60	59	58	57	56	55	54	53			
						52	51	50	49	48	47	46	45	44	43	42	41	40	39	38	37	36	35	34	33			
						73							29		27				23	22	21					18		
										16	15	14	13					8	7	6	5	4	3					
SALEABLE	NOT APPLICABLE	34566-5113	0	A	BLACK	72	71	70	69	68	67	66		64	63	62		60	59				55	54	53			
						52			49	48				44	43	42	41	40	39					35	34	33		
						73				32			29		27		25	24	23					19	18	17		
										16			13	12	11	10	9	8	7	6	5	4	3	2	1			
SALEABLE	NOT APPLICABLE	34566-5123	9	C	BLUE	72		70		68	67	66			63	62		59		57				53				
						52	51			48	47	46	45	44			40	39	38	37	36			34	33			
						73				32		30			27	26	25	24		22	21	20						
											15	14				10	9	8		6	5	4			2			
SALEABLE	NOT APPLICABLE	34566-5133	9	B	ST GRY	72	71	70		68	67	66			62	61	60	59	58	57	56	55	54	53				
						52	51	50		48	47	46			42	41	40	39	38	37	36	35	34	33				
						73				32	31	30	29	28	27	26	25	24	23									
										16	15	14	13			10	9	8										
SALEABLE	NOT APPLICABLE	34566-5143	0	C	BLUE	72		70		68	67	66			63	62		59		57				53				
						52	51			48	47	46		44		42		40	39		37	36		34	33			
						73				32		30				26	25	24		22	21	20						
											15	14				10	9	8		6	5	4			2			
SALEABLE	NOT APPLICABLE	34566-5153	0	A	BLACK			70	69						63	62	61	60		58	57	56	55	54	53			
						52	51		49		47			44	43	42	41			37	36	35	34	33				
						73				32			29	28	27	26	25							19	18			
										16	15		13	12	11	10									3			
SALEABLE	NOT APPLICABLE	34566-5163	9	A	BLACK	72			69		67		65		63			60			57	56			53			
									49		47			44	43			40			37	36	35			33		
						73					31	30	29	28				24			21	20					17	
										16	15	14			11	10					5	4	3	2	1			
SALEABLE	NOT APPLICABLE	34566-5173	9	B	ST GRY					68	67			64	63			59		57								
												46	45		43			39		37								
						73				32		30	29	28	27					21								
																10				6	5	4	3					
SALEABLE	NOT APPLICABLE	34566-5183	0	B	ST GRY					68	67			64				59	58					54				
												46	45	44				39	38									
						73				32		30	29	28	27				23	22							17	
														12		10		8										1
SALEABLE	NOT APPLICABLE	34566-5193	0	A	BLACK			70	69						63	62	61	60		58	57	56	55	54	53			
						52	51		49				44	43	42	41				37	36			34				
						73				32			29	28	27	26								19	18	17		
										16	15		13	12	11	10									3	2	1	
SALEABLE	NOT APPLICABLE	34566-5213	0	A	BLACK	72	71	70	69	68	67	66	65	64	63	62	61	60	59				55	54	53			
						52			49	48				44	43	42	41	40	39					35	34	33		
						73				32			29		27		25	24	23					19	18	17		
										16			13	12	11		9	8	7	6	5	4	3	2	1			
SALEABLE	NOT APPLICABLE	34566-5223	0	C	BLUE	72		70			67	66			63	62			59		57				53			
						52	51			48		46		44		42		40	39					34	33			
						73				32		30			27	26	25		22	21								
											15	14				10	9			6	5	4						

MX123 52/66/73/80-WAY RECEPTACLE ASSY SEALED PIN OUT SHEET

STATUS	GM PART #	HRNS CONN ASSY			TPA	GROMMET CAP																						
		MATERIAL/PART	WIRE DRESS OPTION	KEY OPTION Fp		COLOR OPTION Fp	NUMBERS INDICATE CAVITIES OPEN FOR CIRCUITS																					
		NUMBER					Fp																					
SALEABLE	NOT APPLICABLE	34566-5233	0	C	BLUE	72		70		68	67	66			63	62			59		57	56	55		53			
						52	51			48	47	46		44		42		40	39	38		22	21		19	18	34	33
						73						32		30				26	25				6	5	4	3		
SALEABLE	NOT APPLICABLE	34566-5243	0	C	BLUE	72	71	70	69	68	67	66	65		63	62	61		59	58	57	56	55	54	53			
							51	50	49	48		46	45	44	43	42	41	40	39	38		36	35	34	33			
						73						32	31	30	29	28	27	26	25			22	21	20	19	18	17	
SALEABLE	NOT APPLICABLE	34566-5253	0	B	ST GRAY						67	66			63			59	58	57	56	55		53				
								50	49	48		46	45		43				39	38	37	36	35	34	33			
						73								29	27					23	22	21				18		
SALEABLE	NOT APPLICABLE	34566-5263	0	B	ST GRAY						67	66			63			59	58	57	56	55		53				
								50	49	48		46	45		43				39	38	37	36	35	34	33			
						73								29	27					23	22	21				18		
SALEABLE	NOT APPLICABLE	34566-5273	0	A	BLACK			70	69						63	62	61	60		58	57	56	55	54	53			
						52	51		49					44	43	42	41					37	36		34			
						73						32			29	28	27	26			23					19	18	
SALEABLE	NOT APPLICABLE	34566-5283	0	C	BLUE	72		70		68	67	66			63	62	61	60		59		57	56	55	54	53		
						52	51			48	47	46		44		42		40	39							34	33	
						73						32		30				26	25			22	21		19	18		
SALEABLE	NOT APPLICABLE	34566-5293	0	A	BLACK			70	69						63	62	61	60		58	57	56	55	54	53			
						52	51		49					44	43	42	41	40					37	36		34		
						73						32			29	28	27	26							19	18	17	
SALEABLE	NOT APPLICABLE	34566-5313	0	C	BLUE	72		70		68	67	66			63	62			59		57	56	55		53			
						52	51			48	47	46		44		42		40	39	38	37	36			34	33		
						73						32		30			27	26	25	24		22	21		19	18		
SALEABLE	NOT APPLICABLE	34566-5323	0	G	BLUE	80		78	77		75	74	73	72		70	69		67		65	64	63	62				
						60		58	57		55	54		52	51	50	49		47		45							
						40		38	37					33	32	31				27	26	25	24					
SALEABLE	NOT APPLICABLE	34566-5333	0	A	BLACK	72	71	70		68	67	66	65	64	63	62		60	59							53		
							51		49	48	47	46	45	44	43		41	40										
						73								30	29	28		26	25	24					20			17
SALEABLE	NOT APPLICABLE	34566-5343	0	B	ST GRAY					68	67			64				59	58					54				
											46	45						39	38									
						73						32		30	29	28	27			23	22							17
SALEABLE	NOT APPLICABLE	34566-5353	9	B	ST GRAY					68	67			64	63			59	58			55	54					
											46	45	44	43				39	38				35	34				
						73						32		30	29	28	27			23	22			19				17
SALEABLE	NOT APPLICABLE	34566-5363	0	C	BLUE	72		70		68		66			63	62			59		57				53			
						52	51			48	47	46		44		42		40	39	38						34	33	
						73						32		30				26	25			22	21					
SALEABLE	NOT APPLICABLE	34566-5373	0	C	BLUE	72		70		68		66			63	62			59		57				53			
						52	51			48	47	46		44		42		40	39							34	33	
						73						32		30				26	25			22	21					
SALEABLE	NOT APPLICABLE	34566-5383	0	C	BLUE	72		70		68		66			63	62			59		57				53			
						52	51			48	47	46		44		42		40	39							34	33	
						73						32		30				26	25	24		22	21					

MX123 52/66/73/80-WAY RECEPTACLE ASSY SEALED PIN OUT SHEET

STATUS	GM PART #	HRNS CONN ASSY			TPA	GROMMET CAP																						
		MATERIAL/PART	WIRE DRESS OPTION	KEY OPTION Fp	COLOR OPTION Fp	NUMBERS INDICATE CAVITIES OPEN FOR CIRCUITS																						
		NUMBER				Fp																						
SALEABLE	NOT APPLICABLE	34566-5563	0	A	BLACK	72	71	70	69					64	63			60	59	58	57	56	55	54	53			
						52	51		49	48	47		45	44	43	42	41							36				
						73				32		30		28		26										19	18	17
SALEABLE	NOT APPLICABLE	34566-5573	0	C	BLUE	72		70		68		66			63	62			59	58	57	56	55		53			
						52	51		49	48	47	46		44		42		40	39	38	37	36			34	33		
						73				32		30				26	25	24	23	22	21	20	19	18	17			
SALEABLE	NOT APPLICABLE	34566-5583	0	B	ST GRY	72		70		68		66		64	63			60	59					55	54	53		
						52		50		48		46						40	39						35	34	33	
						73				32	31	30	29	28	27	26	25	24	23			20						17
SALEABLE	NOT APPLICABLE	34566-5593	0	C	BLUE	72		70		68		66			63	62			59	58	57			55	54	53		
						52	51			48	47	46		44		42		40	39							34	33	
						73				32		30				26	25		23	22	21							
SALEABLE	NOT APPLICABLE	34566-5613	0	C	BLUE	72		70		68		66			63	62			59	58	57			55	54	53		
						52	51			48	47			44		42		40	39							34	33	
						73				32		30			27	26	25	24	23	22	21	20						17
SALEABLE	NOT APPLICABLE	34566-5623	0	C	BLUE	72		70		68		66			63	62			59	58	57			55	54	53		
						52	51			48	47			44		42		40	39							34	33	
						73				32		30			27	26	25	24	23	22	21	20						17
SALEABLE	NOT APPLICABLE	34566-5633	0	B	ST GRY	72										62	61											
						52				48		46		44	43		41	40							20	19	18	
						73				16	15	14													4			
SALEABLE	NOT APPLICABLE	34566-5643	0	B	ST GRY	72										62	61											
						52				48		46			43		41	40										
						73				16	15	14													4			
SALEABLE	NOT APPLICABLE	34566-5653	0	A	BLACK	72	71	70	69	68		66	65	64	63		61	60			57	56		54	53			
						52	51	50	49	48		46	45	44	43		41	40	39	38	37	36			34	33		
						73				32	31	30	29	28		26	25		23	22	21							17
SALEABLE	NOT APPLICABLE	34566-5663	0	C	BLUE				69		67	66	64		62		60			57		55	54					
						52	51	50		48		46	45	44		42							37		35	34	33	
						73				32	31			28	27	26									19	18		
SALEABLE	NOT APPLICABLE	34566-5673	0	C	BLUE				69		67	66	64		62		60			57		55	54					
						52	51	50	49	48		46	45	44		42		41					37		35	34	33	
						73				32	31			28	27	25										18		
SALEABLE	NOT APPLICABLE	34566-5683	0	B	ST GRY	72										62	61											
						52				48		46		44	43		41	40							20	19	18	
						73				16		14													4			
SALEABLE	NOT APPLICABLE	34566-5693	0	A	BLACK	72	71	70	69	68		66	65	64	63		61	60			57	56		54	53			
						52	51	50	49	48		46	45	44	43		41	40	39	38	37	36			34	33		
						73				32	31	30	29	28		26	25		23	22	21	20						17
SALEABLE	NOT APPLICABLE	34566-5713	0	C	BLUE				69		67	66	64		62		60			57		55	54					
						52	51	50		48		46	45	44		42							37		35	34	33	
						73				32	31			28	27	26									19	18	17	
SALEABLE	NOT APPLICABLE	34566-5723	0	C	BLUE				69		67	66	64		62		60			57		55	54					
						52	51	50	49	48		46	45	44		42		41					37		35	34	33	
						73				32	31			28	27	25										18		

MX123 52/66/73/80-WAY RECEPTACLE ASSY SEALED PIN OUT SHEET

STATUS	GM PART #	HRNS CONN ASSY			TPA	GROMMET CAP																						
		MATERIAL/PART	WIRE DRESS OPTION	KEY OPTION Fp	COLOR OPTION Fp	NUMBERS INDICATE CAVITIES OPEN FOR CIRCUITS																						
		NUMBER				Fp																						
SALEABLE	NOT APPLICABLE	34566-5733	0	A	BLACK	52	71	70	69					64	63			60	59	58	57	56	55	54	53			
									49					45	44	43	42	41							37	36		
						73				32		30			28		26										19	18
SALEABLE	NOT APPLICABLE	34566-5743	0	A	BLACK	52	71	70	69					64	63			60	59		57	56	55	54	53			
									49					45	44	43	42	41							37	36		
						73				32		30			28		26										19	18
SALEABLE	NOT APPLICABLE	34566-5753	0	A	BLACK	52	71	70	69					64	63			60	59		57	56	55	54	53			
									49					45	44	43	42	41							37	36		
						73				32		30			28		26				23		21			19	18	
SALEABLE	NOT APPLICABLE	34566-5763	0	C	BLUE	72		70		68		66			63	62			59	58	57					53		
						52	51			48	47	46		44		42		40	39					37	36		34	33
						73				32		30			27	26	25	24			22	21	20					
SALEABLE	NOT APPLICABLE	34566-5773	0	C	BLUE	72		70		68		66			63	62			59	58	57					53		
						52	51			48	47			44		42		40	39					37	36		34	33
						73				32		30			27	26	25	24			22	21	20					
SALEABLE	NOT APPLICABLE	34566-5783	0	C	BLUE	72		70		68		66			63	62			59	58	57					53		
						52	51			48	47			44		42		40	39					37	36		34	33
						73				32		30			27	26	25	24			22	21	20					
SALEABLE	NOT APPLICABLE	34566-5793 SAME AS P/N 34566-4013	0	B	ST GRN	72		70		68		66					60	59						55	54	53		
						52		50		48		46					40	39							35	34	33	
						73				32	31	30	29	28	27	26	25	24										
SALEABLE	NOT APPLICABLE	34566-5813	0	B	ST GRN	72		70		68		66					60	59						55	54	53		
						52		50		48		46					40	39							35	34	33	
						73				32	31	30	29	28	27	26	25	24	23							19	18	17
SALEABLE	NOT APPLICABLE	34566-5823	0	A	BLACK	72		70							63													
						52			49						43		41											
						73					31	30		28	27	26			23						20	19		
SALEABLE	NOT APPLICABLE	34566-5833	0	A	BLACK	72		70							63													
						52			49						43		41											
						73					31	30		28	27	26			23						20	19		
SALEABLE	NOT APPLICABLE	34566-5843	0	H	ST GRN		79																					
							59		57			74	73	72	71			68	67			65	64	63	62	61		
								38				34	33					29	27			25						
SALEABLE	NOT APPLICABLE	34566-5853	0	H	ST GRN		79																					
							59		57			74	73	72	71			68	67			65	64	63	62	61		
								38				34	33					29	27			25						
SALEABLE	NOT APPLICABLE	34566-5863	0	C	BLUE	72		70				66			63	62			59		57	56	55		53			
						52	51					46	44		42		40	39			37	36			34	33		
						73				32		30				26	25			22	21				19	18		
SALEABLE	NOT APPLICABLE	34566-5873	0	B	ST GRN	72																						
						52				48	47	46		44	43		41	40								20	19	18
						73				16	15	14														4		
SALEABLE	NOT APPLICABLE	34566-5883	0	B	ST GRN	72										62	61											
						52				48	47	46		44	43		41	40								20	19	18
						73				16	15	14														4		

MX123 52/66/73/80-WAY RECEPTACLE ASSY SEALED PIN OUT SHEET

STATUS	GM PART #	HRNS CONN ASSY			TPA	GROMMET CAP																								
		MATERIAL/PART	WIRE DRESS OPTION	KEY OPTION Fp	COLOR OPTION Fp	NUMBERS INDICATE CAVITIES OPEN FOR CIRCUITS																								
		NUMBER				Fp																								
SALEABLE	NOT APPLICABLE	34566-5893	0	C	BLUE				69		67	66				62		60				57		55	54					
						52	51	50		48		46	45	44		42									37		35	34	33	
						73				32				28	27	26													19	18
SALEABLE	NOT APPLICABLE	34566-5913	0	C	BLUE				69		67	66		64			61	60				57			54					
						52	51	50	49	48		46	45	44			41							37			34	33		
						73				32				28	27		25												18	
SALEABLE	NOT APPLICABLE	34566-5933	0	C	BLUE	72			70		68		66			63	62			59		57	56	55		53				
						52	51			48	47	46		44		42		40	39								34	33		
						73				32		30				26	25		23	22	21									
SALEABLE	NOT APPLICABLE	34566-5943	0	C	BLUE				69		67	66				62					57			54						
						52	51		49	48	47	46		44		42		40	39								34	33		
						73				32		30				27	26	25			22	21	20							
SALEABLE	NOT APPLICABLE	34566-5953	0	A	BLACK		71	70	69				65	64	63	62	61	60			58	57	56	55	54	53				
						52	51		49	48	47		45	44	43	42	41										37	36	34	
						73				32		30	29	28	27	26			24										19	18
SALEABLE	NOT APPLICABLE	34566-5963	0	B	ST GRAY	72	71	70			68	67	66			62	61	60	59	58	57	56	55	54	53					
						52	51	50		48	47	46				42	41	40	39	38	37	36	35	34	33					
						73				32	31	30	29	28	27	26	25	24											18	
SALEABLE	NOT APPLICABLE	34566-5973	0	C	BLUE				69		67	66			63	62			59		57	56	55		53					
						52	51			48	47	46		44		42		40	39								34	33		
						73				32		30				27	26	25		22	21							19	18	
SALEABLE	NOT APPLICABLE	34566-5983	0	C	BLUE				69		67	66		64		62		60				57		55	54					
						52	51	50		48		46	45	44		42											37	35	34	33
						73				32				28	27	26													19	18
SALEABLE	NOT APPLICABLE	34566-5993	0	A	BLACK		71	70	69				67	66	65		63	62	61	60		58	57	56	55	54	53			
						52	51	50	49	48	47		45	44	43	42	41	40	39								37	36	35	34
						73				32	31	30	29	28	27	26	25	24	23			21	20	19	18	17				
SALEABLE	NOT APPLICABLE	34566-6013	0	B	ST GRAY				69		67		65			61	60	59	58	57				54	53					
							51	50	49	48	47	46	45		43		40	39			37						34	33		
						73				32	31	30	29			26		24	23	22	21	20							18	
SALEABLE	NOT APPLICABLE	34566-6023	0	A	BLACK	72	71	70	69		68	67				62	61	60	59	58	57	56			54	53				
						52	51	50	49	48	47		45	44	43		40	39	38	37	36	35	34	33						
						73				32	31	30	29	28				24	23	22	21	20	19					17		
SALEABLE	NOT APPLICABLE	34566-6033	0	A	BLACK				70	69					63	62	61			58	57	56	55	54	53					
						52	51		49	48			44	43	42	41											37	36	34	
						73				32			29	28	27	26													19	18
SALEABLE	NOT APPLICABLE	34566-6043	0	B	ST GRAY						68	67	66	65	64						58			55						
												46	45														38		35	
						73				32		30	29	28	27														19	17
SALEABLE	NOT APPLICABLE	34566-6053	0	B	ST GRAY						68	67	66	65	64															
						52				48	47	46			43		41	40												
						73						30																20	19	18
SALEABLE	NOT APPLICABLE	34566-6063	0	C	BLUE				69		67	66		64		62		60				57		55	54					
						52	51	50		48		46	45	44		42											37	35	34	33
						73				32				28	27	26													19	18

MX123 52/66/73/80-WAY RECEPTACLE ASSY SEALED PIN OUT SHEET

STATUS	GM PART #	HRNS CONN ASSY			TPA	GROMMET CAP																			
		MATERIAL/PART	WIRE DRESS OPTION	KEY OPTION Fp	COLOR OPTION Fp	NUMBERS INDICATE CAVITIES OPEN FOR CIRCUITS																			
		NUMBER				Fp																			
SALEABLE	NOT APPLICABLE	34566-6073	0	C	BLUE	52	51	50	69	48	67	66	45	64	61	60	57	54	33	34	18	17			
						73				32	28	27	25	9	37	36	34	33							
						72	70	68	67	66	63	62	59	57	53										
SALEABLE	NOT APPLICABLE	34566-6083	0	C	BLUE	52	51	48	47	46	44	42	40	39	37	36	34	33							
						73				32	30	26	25	22	21	20	19	18							
						72	70	68	67	66	63	62	59	57	53										
SALEABLE	NOT APPLICABLE	34566-6093	0	B	ST GRAY	52	70	67	46	43	41	40	20	19	18										
						73				16	14	11	4	2											
						72	70	67	66	63	62	61	60	59	57	53									
SALEABLE	NOT APPLICABLE	34566-6113	0	A	BLACK	72	71	70	69	68	66	65	64	63	62	61	60	58	57	56	55	54	53		
						52	51	50	49	48	46	45	44	43	42	41	40	39	38	37	36	34	33		
						73				32	31	30	29	28	27	26	25	23	22	21	20	19	18		
SALEABLE	NOT APPLICABLE	34566-6123	0	C	BLUE	52	51	50	69	48	67	66	45	64	62	60	57	54	34	33					
						73				32	28	27	26	7	6	5	4	3	2						
						72	70	68	67	66	63	62	59	57	53										
SALEABLE	NOT APPLICABLE	34566-6133	9	C	BLUE	52	51	48	47	44	42	40	39	38	37	36	34	33							
						73				32	30	26	25	24	22	21	20	19	18						
						72	70	68	67	66	63	62	59	57	53										
SALEABLE	NOT APPLICABLE	34566-6173	9	B	ST GRAY	52	70	67	66	41	22	21	19	18	17										
						73				32	31	30	29	27	26	25	24	22	21	19	18	17			
						72	70	68	67	66	63	62	59	57	53										
SALEABLE	NOT APPLICABLE	34566-6183	9	A	BLACK	52	70	67	66	41	22	21	19	18	17										
						73				32	31	30	29	27	26	25	24	22	21	19	18	17			
						72	70	68	67	66	63	62	59	57	53										
SALEABLE	NOT APPLICABLE	34566-6193	9	B	ST GRAY	52	71	70	69	68	67	66	65	64	62	61	60	59	58	57	56	55	54		
						51	50	49	48	46	44	41	40	38	37	36	34	33							
						73				32	31	30	29	28	27	26	25	24	21	20	18	17			
SALEABLE	NOT APPLICABLE	34566-6213	9	A	BLACK	52	71	70	69	68	67	66	65	64	62	61	60	59	58	57	56	55	54		
						51	50	49	48	46	44	41	40	38	37	36	34	33							
						73				32	31	30	29	27	26	25	24	22	21	19	18	17			
SALEABLE	NOT APPLICABLE	34566-6223	9	C	BLUE	52	51	48	47	46	44	40	39	37	36	34	33								
						73				32	30	27	26	25	22	21	20	19	18						
						72	70	68	67	66	63	62	59	57	53										
SALEABLE	NOT APPLICABLE	34566-6233	9	B	ST GRAY	52	50	48	47	46	44	40	39	37	36	34	33								
						73				32	31	30	29	28	27	26	25	24	21	20	18	17			
						72	70	68	67	66	63	62	59	57	53										
SALEABLE	NOT APPLICABLE	34566-6243	9	A	BLACK	52	71	70	69	68	67	66	65	64	63	62	61	60	59	58	57	56	55	54	53
						51	50	49	48	46	44	43	42	41	39	37	36	34	33						
						73				32	30	28	26	25	22	21	19	18							
SALEABLE	NOT APPLICABLE	34566-6253	9	C	BLUE	52	51	48	47	46	44	40	39	37	36	34	33								
						73				32	30	27	26	25	24	22	21	20	19	18					
						72	70	68	67	66	63	62	59	57	53										
SALEABLE	NOT APPLICABLE	34566-6263	9	B	ST GRAY	52	71	70	69	68	67	66	65	64	63	62	61	60	59	58	57	56	55	54	53
						51	50	49	48	47	46	44	43	42	41	40	39	38	37	36	35	34	33		
						73				32	31	30	29	28	27	26	25	24	21	20	18	17			

MX123 52/66/73/80-WAY RECEPTACLE ASSY SEALED PIN OUT SHEET

STATUS	GM PART #	HRNS CONN ASSY			TPA	GROMMET CAP																		
		MATERIAL/PART	WIRE DRESS OPTION	KEY OPTION Fp	COLOR OPTION Fp	NUMBERS INDICATE CAVITIES OPEN FOR CIRCUITS																		
		NUMBER				Fp																		
SALEABLE	NOT APPLICABLE	34566-6273	9	B	ST GRAY	71	70	69	65	64	63	62	61	60	58	57	56	55	54	53				
						52	51	50	49	48	47	45	44	43	42	41	40	39	37	36	19	18		
						73			32	30	29	28	27	26	24							3		
SALEABLE	NOT APPLICABLE	34566-6283	9	C	BLUE	72	71	70	68	67	66	63	62	59	57									
						52	51		48	47	46	44			40	39					34	33		
						73			32	30			27	26	25		22	21						
SALEABLE	NOT APPLICABLE	34566-6293	9	B	ST GRAY	72	71	70	68	67	66	62	61	60	59	58	57	56	55	54	53			
						52	51	50	48	47	46			42	41	40	39	38	37	36	35	34	33	
						73			32	31	30	29	28	27	26	25	24							17
SALEABLE	NOT APPLICABLE	34566-6313	9	B	ST GRAY	71	70	69	63	62	61	60	58	57	56	55	54	53						
						52	51	50	49			44	43	42	41	40	39	37	36	19	18			
						73			32			29	28	27	26						3			
SALEABLE	NOT APPLICABLE	34566-6323	9	B	ST GRAY	71	70	69	64	63		60	59	58	57	56	55	54	53					
						52	51	50	49			45	44	43	42	41	39	37	36		34			
						73			32		30		28		26						19	18		
SALEABLE	NOT APPLICABLE	34566-6333	9	C	BLUE	72	71	70	68	67	66	63	62	59	57	56	55	54	53					
						52	51		48	47	46	44			40	39					34	33		
						73			32		30		27	26	25		22	21		19	18			
SALEABLE	NOT APPLICABLE	34566-6343	9	A	BLACK	71	70	69	63	62	61	60	58	57	56	55	54	53						
						52	51	50	49			44	43	42	41	40	39	37	36		34			
						73			32			29	28	27	26					19	18	17		
SALEABLE	NOT APPLICABLE	34566-6353	9	C	BLUE	72	71	70	68	67	66	63	62	59	58	57	56	55	54	53				
						52	51		48	47	46	44			40	39					34	33		
						73			32		30		27	26	25		23	22	21	20			17	
SALEABLE	NOT APPLICABLE	34566-6363	9	B	ST GRAY	72	71	70	68	67	66	60	59				55	54	53					
						52	51	50	48	47	46			40	39					35	34	33		
						73			32	31	30	29	28	27	26	25	24	23			19	18	17	
SALEABLE	NOT APPLICABLE	34566-6373	9	A	BLACK	72	71	70	67			64	63	60	59	58	57	56	55	54	53			
						52	51	50	49		47		45	44	43	42	41	40	39	37	36		34	
						73			32		30		28		26		23		21		19	18	17	
SALEABLE	NOT APPLICABLE	34566-6383	9	A	BLACK	72	71	70	68	67	66	65	64	63	61	60	57	56	54	53				
						52	51	50	49	48	46	45	44	43	42	41	40	39	38	37	36		34	33
						73			32	31	30	29	28				23	22	21					2
SALEABLE	NOT APPLICABLE	34566-6393	9	C	BLUE	71	70	69	67	66	65	64	62	61	60	58	57	55	54					
						52	51	50	49	48	47	46	45	44		42	41		38	37		35	34	33
						73			32			28	27	26	25							19	18	17
SALEABLE	NOT APPLICABLE	34566-6413	9	B	ST GRAY	72	71	70	68	67		63	62	61	60	59			55					
						52	51		48	47	46	44	43		41	40		38	37	36	35			
						73			32		30		27							20	19	18	17	
SALEABLE	NOT APPLICABLE	34566-6423	9	C	BLUE	72	71	70	67	66	65	64					56	54						
						52	51	50	49		47	46	45	44			39	38				34		
						73			32	31	30	29	28		26	25		23	22	21				17
SALEABLE	NOT APPLICABLE	34566-6433	9	A	BLACK	72	71	70	67			63		60	59	58	57	56	55					
						52	51		48	47	46			43	42		40	39	38	37	36	35		
						73			32			28	27			9		7	6	5			18	17

MX123 52/66/73/80-WAY RECEPTACLE ASSY SEALED PIN OUT SHEET

STATUS	GM PART #	HRNS CONN ASSY			TPA	GROMMET CAP																					
		MATERIAL/PART	WIRE DRESS OPTION	KEY OPTION Fp	COLOR OPTION Fp	NUMBERS INDICATE CAVITIES OPEN FOR CIRCUITS																					
		NUMBER				Fp																					
SALEABLE	NOT APPLICABLE	34566-6443	9	B	ST GRAY	72	71	70	69	68	67	66	65	64	63		61	60			57	56	55				
						52	51	50	49	48	47	46	45	44	43		26	25	24	23	22	21	20	19	18	17	
						73				32	31	30	29	28		11		9	8	7	6	5	4	3	2	1	
SALEABLE	NOT APPLICABLE	34566-6453	0	C	BLUE		71	70	69		67		65	64		62	61	60			57			54			
						52	51	50	49	48	47	46	45	44		42	41				37			34	33		
						73				32				28	27	26	25								18	17	
SALEABLE	NOT APPLICABLE	34566-6463	0	B	ST GRAY	72				68	67					62	61							55			
						52				48	47	46			43												
						73						30											20	19	18		
SALEABLE	NOT APPLICABLE	34566-6473	9	C	BLUE			70	69		67	66		64		62		60			57		55	54			
						52	51	50		48		46	45	44		42					37			35	34	33	
						73				32				28	27	26									19	18	17
SALEABLE	NOT APPLICABLE	34566-6483	9	A	BLACK	72	71	70	69	68		66	65	64	63		61	60			57	56		54	53		
						52	51	50	49	48		46	45	44	43			40	39	38	37	36		34	33		
						73				32	31	30	29	28		26	25		23	22	21	20					2
SALEABLE	NOT APPLICABLE	34566-6493	9	B	ST GRAY	72			70							62	61							55			
						52				48	47	46			43			41	40								
						73						30											20	19	18		
SALEABLE	NOT APPLICABLE	34566-6513	0	B	ST GRAY					68	67					62	61						55	54			
						52						46			43			40									
						73				16	15	14							8				4	3	2	1	
SALEABLE	NOT APPLICABLE	34566-6523	0	B	ST GRAY					68	67			64					59	58				54			
												46	45						39	38							
						73				32		30	29	28	27				23	22							17
SALEABLE	NOT APPLICABLE	34566-6533	9	B	ST GRAY					68	67			64													
												46	45														
						73				32		30	29	28	27												17
SALEABLE	NOT APPLICABLE	34566-6543	9	A	BLACK					68	67			64													
												46	45														
						73				32	31	30	29	28		26	25		23	22	21	20					2
SALEABLE	NOT APPLICABLE	34566-6553	9	A	BLACK	72	71	70	69		67			64	63			60	59	58	57	56	55	54	53		
						52	51	50	49		47			45	44	43	42	41	40	39		37	36		34		
						73				32		30		28		26								19	18	17	
SALEABLE	NOT APPLICABLE	34566-6563	9	C	BLUE				70		68		66		63	62			59	58	57			53			
						52	51			48	47	46		44				40	39							34	33
						73				32		30			27	26	25		23	22	21	20					17
SALEABLE	NOT APPLICABLE	34566-6573	9	A	BLACK					68	67			64	63			60	59	58	57	56	55	54	53		
						52	51	50	49		47			45	44	43	42	41	40	39		37	36		34		
						73				32		30		28		26			23		21		19	18			
SALEABLE	NOT APPLICABLE	34566-6583	9	A	BLACK				70	69					63	62	61	60		58	57	56	55	54	53		
						52	51	50	49					44	43	42	41	40	39		37	36				34	
						73				32			29	28	27	26										19	18
SALEABLE	NOT APPLICABLE	34566-6593	0	C	BLUE				69		67			64		62		60			57		55	54			
						52	51	50		48		46	45	44		42					37			35	34	33	
						73				32				28	27	26							20	19	18	17	

MX123 52/66/73/80-WAY RECEPTACLE ASSY SEALED PIN OUT SHEET

STATUS	GM PART #	HRNS CONN ASSY			TPA	GROMMET CAP																						
		MATERIAL/PART	WIRE DRESS OPTION	KEY OPTION Fp	COLOR OPTION Fp	NUMBERS INDICATE CAVITIES OPEN FOR CIRCUITS Fp																						
		NUMBER																										
SALEABLE	NOT APPLICABLE	34566-6613	0	A	BLACK	72	71	70	69			66		64	63		61	60			57	56		54	53			
						52	51	50	49			46	45	44	43		26	25		23	22	21				34	33	
						73				32	31	30	29	28					9		7	6	5				2	1
SALEABLE	NOT APPLICABLE	34566-6623	9	B	ST GRAY					68	67			64					59	58			54					
												46	45						39	38								
						73				32		30	29	28	27				23	22								17
SALEABLE	NOT APPLICABLE	34566-6633	9	C	BLUE				69		67	66		64		62		60			57			54				
						52	51	50		48		46	45	44		42						37				34	33	
						73								28	27	26												
SALEABLE	NOT APPLICABLE	34566-6643	9	C	BLUE		71			68	67		65	64	63		61	60		58	57			54				
						52	51	50		48			45		43		41			38	37					34	33	
						73								28	27		25											18
SALEABLE	NOT APPLICABLE	34566-6653	9	B	ST GRAY	72				68						62	61	60	59					55				
						52				48	47	46		44	43		41	40		38	37	36	35					
						73						30										20	19	18				
SALEABLE	NOT APPLICABLE	34566-6663	9	A	BLACK					68			65	64	63					57	56			54				
						52	51	50	49	48		46	45	44	43	42		40	39	38	37	36					34	
						73				32	31	30	29	28			26	25		23	22	21	20					2
SALEABLE	NOT APPLICABLE	34566-6673	9	B	ST GRAY	72	71	70	69	68	67	66	65	64	63		61	60	59		57	56	55					
						52	51	50	49	48	47	46	45	44	43		41	40	39	38	37	36	35	34	33			
						73				32	31	30	29	28			26		24	23	22	21	20	19	18	17		
SALEABLE	NOT APPLICABLE	34566-6683	9	A	BLACK			70			67					63		60	59	58	57							
						52				48	47	46			43	42		40	39	38	37							
						73				32	31	30	29	28	27						22	21						2
SALEABLE	NOT APPLICABLE	34566-6693	9	C	BLUE	72	71	70	69		67	66	65	64							56			54				
						52	51	50	49		47	46	45	44					39	38						34		
						73						31	30	29	28			26	25	24	23	22	21					17
SALEABLE	TBD	34822-0063	9	A	BLACK		63	62	61	60	59					54	53		51		49	66						
							47									38	37		35		33							
						65									28			25			22	21	20	19	18	17		
SALEABLE	NOT APPLICABLE	34566-6713	9	A	BLACK	72	71	70	69	68			66	65	64	63		61	60		57	56			54	53		
						52	51	50	49	48		46	45	44	43	42	41	40	39	38	37	36					34	33
						73				32	31	30	29	28			26	25		23	22	21						2
SALEABLE	NOT APPLICABLE	34566-6723	0	H	ST GRAY		79						74	73					67		65	64	63	62	61			
							59							53	52							25		44	43	42	41	
								38						33								27						
SALEABLE	NOT APPLICABLE	34566-6733	0	G	BLUE			78	77		75	74		72		70				64	63							
						60		58	57		55	54		52	51	50	49		47		45							
						40	39	38	37				33	32	31				27	26								
SALEABLE	NOT APPLICABLE	34566-6743	9	C	BLUE					68	67		65	64	63		61	60		57				34	33			
						52	51	50		48		46	45		43		41			37								
						73				16	15	14	13	12	11	10	9	8	7									
SALEABLE	NOT APPLICABLE	34566-6753	9	A	BLACK	72	71	70	69	68			66	65	64		61	60		57	56			54	53			
						52	51	50	49	48		46	45	44	43	42		40	39	38	37	36					34	33
						73						31	30	29	28					23	22	21	20					2



MX123 52/66/73/80-WAY RECEPTACLE ASSY SEALED PIN OUT SHEET

STATUS	GM PART #	HRNS CONN ASSY			TPA	GROMMET CAP																									
		MATERIAL/PART	WIRE DRESS OPTION	KEY OPTION	COLOR OPTION	NUMBERS INDICATE CAVITIES OPEN FOR CIRCUITS																									
		NUMBER		Fp	Fp	Fp																									
SALEABLE	NOT APPLICABLE	34566-6763	9	B	ST GR	72				68						62	61						55								
						52		50	49			46	45			43			40									34			
						73								29									22	21	20	19	18				
SALEABLE	NOT APPLICABLE	34566-6773	0	C	BLUE	72		70		68					63	62							59	58	57				53		
						52	51		49	48	47	46		44			42		40	39									34	33	
						73						32	30				26	25					22	21		19	18	17			
SALEABLE	NOT APPLICABLE	34566-6783	0	B	ST GR	72		70		68										60	59							55	54	53	
						52		50		48		46			43			40	39										35	34	33
						73					32	31	30	29	28	27	26	25	24	23											
SALEABLE	NOT APPLICABLE	34566-6793	0	B	ST GR	72		70		68				64	63					60	59							55	54	53	
						52		50		48		46			43			40	39										35	34	33
						73					32	31	30	29	28	27	26	25	24	23				20							
SALEABLE	NOT APPLICABLE	34566-6813	9	A	BLACK		71	70	69	68	67			65	64	63	62	61	60			58	57	56	55	54	53				
						52	51	50	49	48	47			45	44	43	42	41	40	39				37	36			34			
						73						32		30	29	28	27	26	25	24					21				18		
SALEABLE	NOT APPLICABLE	34566-6823	9	C	BLUE	72		70		68	67					63	62					59		57				55	54	53	
						52	51		49	48	47	46		44				41	40	39					37	36	35	34	33		
						73						32		30			27	26	25	24					22	21	20				
SALEABLE	NOT APPLICABLE	34566-6833	0	A	BLACK			70	69							63			60	59	58	57	56	55	54	53					
						52	51		49	48	47			44	43	42	41	40							37	36		34	33		
						73						32				28		26									19	18			
SALEABLE	NOT APPLICABLE	34566-6843	0	A	BLACK	72	71	70	69	68				66	65	64	63							57	56		54	53			
						52	51	50	49	48				46	45	44	43			40	39	38	37	36			34	33			
						73						32	31	30	29	28		26	25		23	22	21	20							
SALEABLE	NOT APPLICABLE	34566-6853	0	C	BLUE				69								62	61	60					57	56		54	53			
						52	51	50	49	48		46	45	44			42	41						37			35	34	33		
						73						32			28	27	26	25									19	18	17		
SALEABLE	NOT APPLICABLE	34566-6863	0	A	BLACK	72	71	70	69	68				66	65	64	63							57	56		54	53			
						52	51	50	49	48				46	45	44	43	42		40	39	38	37	36			34	33			
						73						32	31	30	29	28		26	25		23	22	21	20							
SALEABLE	NOT APPLICABLE	34566-6873	9	B	ST GR	72				68	67					63	62	61	60	59						55	54	53			
						52				48	47	46		44	43		41	40						38	37	36	35				
						73								30			27										20	19	18	17	
SALEABLE	NOT APPLICABLE	34566-6883	9	A	BLACK	72		70								63			60	59	58	57	56	55							
						52	51			48	47	46				43	42		40	39	38	37	36	35							
						73										28	27									22	21			18	17
SALEABLE	NOT APPLICABLE	34566-6893	0	B	ST GR	72	71	70	69	68	67	66	65	64	63	62	61	60	59					57	56	55					
						52	51	50	49	48	47	46	45	44	43			41	40	39	38	37	36	35	34	33					
						73						32	31	30	29	28		26		24	23	22	21	20	19	18	17				
SALEABLE	NOT APPLICABLE	34566-6913	9	A	BLACK	72	71	70	69	68	67	66	65	64	63									58	57	56	55	54			
						52	51	50	49	48	47	46	45	44	43	42			40	39	38	37	36	35	34						
						73						32	31	30	29	28	27	26	25		23	22	21	20					18	17	
SALEABLE	NOT APPLICABLE	34566-6923	9	C	BLUE	72	71	70	69					67	66	65	64			61	60			58	57	56		54			
						52	51	50	49	48	47	46	45	44					41		39	38	37					34	33		
						73						32	31	30	29	28	27	26	25	24	23	22	21							18	17

MX123 52/66/73/80-WAY RECEPTACLE ASSY SEALED PIN OUT SHEET

STATUS	GM PART #	HRNS CONN ASSY			TPA	GROMMET CAP																						
		MATERIAL/PART	WIRE DRESS OPTION	KEY OPTION Fp	COLOR OPTION Fp	NUMBERS INDICATE CAVITIES OPEN FOR CIRCUITS																						
		NUMBER				Fp																						
SALEABLE	NOT APPLICABLE	34566-6933	9	B	ST GRY	72				68	67				63	62	61	60	59				55		53			
						52				48	47	46		44	43		41	40			38	37	36	35				
						73								30			27					22	21	20	19	18	17	
SALEABLE	NOT APPLICABLE	34566-6943	9	A	BLACK	72	71	70	69	68		66	65	64	63		61	60			57	56		54	53			
						52	51	50	49	48		46	45	44	43	42	41	40	39	38	37	36		34	33			
						73						32	31	30	29	28					23	22	21					
SALEABLE	NOT APPLICABLE	34566-6953	0	A	BLACK	72	71	70	69			66	65	64	63		61	60			57	56		54	53			
						52	51	50	49			46	45	44	43			40	39	38	37	36		34	33			
						73						32	31	30	29	28		26	25		23	22	21	20				
SALEABLE	NOT APPLICABLE	34566-6963	0	B	ST GRY	72		70		68	67					62	61						55					
						52				48	47	46			43			40							20	19	18	
						73								30											8			4
SALEABLE	NOT APPLICABLE	34566-6973	0	C	BLUE		71	70	69			67		65	64		62	61	60			57		55	54			
						52	51	50	49	48	47	46	45	44		42	41						37		35	34	33	
						73						32				28	27	26	25						19	18	17	
SALEABLE	NOT APPLICABLE	34566-6983	0	C	BLUE		71		69			67		65	64		62	61	60			57		54				
						52	51	50		48	47	46	45	44		42							37		34	33		
						73										28	27	26								18		
SALEABLE	NOT APPLICABLE	34566-6993	0	G	BLUE			78	77	76									67	66	65							
						40	39	38	37	36	35	34	33	32				29	28				25				21	
						20	19	18	17	16	15	14	13	12												3		1
SALEABLE	NOT APPLICABLE	34566-7013	9	A	BLACK		71	70	69					64	63	62	61	60	59	58	57	56	55	54	53			
						52	51	50	49				45	44	43	42	41		39		37	36		34				
						73						32			29	28	27	26							19	18		
SALEABLE	NOT APPLICABLE	34566-7023	0	A	BLACK	72	71	70	69	68		66	65	64			61	60			57	56		54	53			
						52	51	50	49	48		46	45	44	43			40	39	38	37	36		34	33			
						73								31	30	29	28		26	25		23	22	21	20			
SALEABLE	NOT APPLICABLE	34566-7033	0	A	BLACK			70	69					65		63	62	61	60		58	57	56	55	54	53		
						52	51		49					44	43	42	41					37	36		34			
						73						32			29	28	27	26					21		19	18		
SALEABLE	NOT APPLICABLE	34566-7043	0	B	ST GRY					68	67				63	62	61	60	59				55					
						52						46			43		41	40										
						73												27							20	19	18	
SALEABLE	NOT APPLICABLE	34566-7053	0	C	BLUE		71		69			67		65	64		62	61	60			57		54				
						52	51	50	49	48	47	46	45	44		42	41					37		34	33			
						73						16	15	14	13	12	11	10	9	8	7							
SALEABLE	NOT APPLICABLE	34566-7063	0	C	BLUE	72		70		68	67	66			63	62			59		57				53			
						52	51			48	47	46		44				40	39					34	33			
						73						32		30				26	25			22	21					
SALEABLE	NOT APPLICABLE	34566-7073	9	F	NATURAL				69	68									58	57								
						73								30											19	18	17	
																										3	2	1
SALEABLE	NOT APPLICABLE	34566-7083	9	B	ST GRY																							
						73						16	15	14	13	12	11	10			8	7				3	2	1

MX123 52/66/73/80-WAY RECEPTACLE ASSY SEALED PIN OUT SHEET

Table with columns: STATUS, GM PART #, HRNS CONN ASSY (MATERIAL/PART NUMBER, WIRE DRESS OPTION, KEY OPTION Fp), TPA, COLOR OPTION Fp, GROMMET CAP (NUMBERS INDICATE CAVITIES OPEN FOR CIRCUITS). Rows list various part numbers and their corresponding pin configurations.

STATUS	GM PART #	HRNS CONN ASSY			TPA	GROMMET CAP																												
		MATERIAL/PART	WIRE DRESS OPTION	KEY OPTION Fp	COLOR OPTION Fp	NUMBERS INDICATE CAVITIES OPEN FOR CIRCUITS																												
		NUMBER				Fp																												
SALEABLE	TBD	34822-0083	9	A	BLACK			63	62	61	60	59						54	53		51	49	66											
							47								39	38	37		35				22	21	20	19	18	17						
						65											28					25				8	7				3	2	1	
							72															62	61											
SALEABLE	NOT APPLICABLE	34566-7253	0	B	ST GRY		52				48	47	46		44	43		41	40															
						73																								20	19	18		
										69				67	66		64									57								
							16																									4		
SALEABLE	NOT APPLICABLE	34566-7263	0	C	BLUE																													
							52	51	50		48		46	45	44		42																	
						73																												
										69				67	66		64																	
SALEABLE	NOT APPLICABLE	34566-7273	0	C	BLUE																													
							52	51	50		48		46	45	44		42																	
						73																												
										69				67	66		64																	
SALEABLE	NOT APPLICABLE	34566-7283	0	C	BLUE																													
							52	51	50		48		46	45	44		42																	
						73																												
										69				67	66		64																	
SALEABLE	NOT APPLICABLE	34566-7293	9	A	BLACK																													
							52	51	50	49	48		46	45	44	43																		
						73																												
										69				67	66		64																	
SALEABLE	NOT APPLICABLE	34566-7313	0	B	ST GRY																													
							72																											
						73																												
										69				67	66		64																	
SALEABLE	NOT APPLICABLE	34566-7333	9	B	ST GRY																													
							72	71	70	69	68	67	66	65	64	63	62	61	60	59														
						73																												
										69				67	66		64																	
SALEABLE	NOT APPLICABLE	34566-7343	9	B	ST GRY																													
							52	51	50	49	48		46	45	44	43																		
						73																												
										69				67	66		64																	
SALEABLE	NOT APPLICABLE	34566-7353	9	C	BLUE																													
							52	51	50		48		46	45	44		42																	
						73																												
										69				67	66		64																	
SALEABLE	NOT APPLICABLE	34566-7363	0	B	ST GRY																													
							72																											
						73																												
										69				67	66		64																	
SALEABLE	NOT APPLICABLE	34566-7373	0	A	BLACK																													
							52	51	50	49	48		46	45	44	43	42		40	39	38	37	36											
						73																												
										69				67	66		64																	
SALEABLE	NOT APPLICABLE	34566-7383	0	C	BLUE																													
							52	51	50	49	48		46	45	44		42																	
						73																												
										69				67	66		64																	
SALEABLE	NOT APPLICABLE	34566-7393	0	B	ST GRY																													
							72																											
						73																												
										69				67	66		64																	
SALEABLE	NOT APPLICABLE	34566-7413	0	A	BLACK																													
							72	71	70	69	68		66	65	64	63		61	60															
						73																												
										69				67	66		64																	

MX123 52/66/73/80-WAY RECEPTACLE ASSY SEALED PIN OUT SHEET

STATUS	GM PART #	HRNS CONN ASSY			TPA	GROMMET CAP																																					
		MATERIAL/PART	WIRE DRESS OPTION	KEY OPTION Fp		COLOR OPTION Fp	NUMBERS INDICATE CAVITIES OPEN FOR CIRCUITS																																				
		NUMBER					Fp																																				
SALEABLE	NOT APPLICABLE	34566-7423	0	C	BLUE	52	51	70	69	48	67	64	61	60	57	54	34	33	18	17	73	32	28	27	25	37																	
						72				48	47	46	45	44	43	42	41	40	38	37	36	35	16	15	14	13	12	11	10	9	8	7											
						52	51	50	49	48	47	46	45	44	43	42	41	40	39	38	37	36	35	34	33	32	31	30	29	28	27	26	25	24	23	22	21	20	19	18	17		
SALEABLE	NOT APPLICABLE	34566-7433	0	B	ST GRAY	72				68						55				73	72	68						55															
						52				48	47	46		44	43		41	40		38	37	36	35	16	15	14					8												
						72	71	70	69	68		66	65	64	63		60			57	56		54	32	31	30	29	28		26	25		23	22	21	20							
SALEABLE	NOT APPLICABLE	34566-7443	0	A	BLACK	52	51	50	49	48		46	45	44	43	42		40	39	38	37	36																					
						72				68																																	
						72	71	70	69	68		66	65	64	63		60			57	56		54	32	31	30	29	28		26	25		23	22	21	20							
SALEABLE	NOT APPLICABLE	34566-7453	0	C	BLUE	52	51	50	49	48	47	46	45	44		41	40		38	37																							
						72				68																																	
						72	71	70	69	68		66	65	64	63		60			57	56		54	32	31	30	29	28		26	25		23	22	21	20							
SALEABLE	NOT APPLICABLE	34566-7463	0	B	ST GRAY	52				48	47	46			43																												
						72				68																																	
						72				68																																	
SALEABLE	NOT APPLICABLE	34566-7473	0	B	ST GRAY	52				48	47	46			43																												
						72				68																																	
						72				68																																	
SALEABLE	NOT APPLICABLE	34566-7483	0	B	ST GRAY	52				48	47	46			43																												
						72				68																																	
						72				68																																	
SALEABLE	NOT APPLICABLE	34566-7493	0	C	BLUE	52	51	50	49	48	47	46	45	44		42																											
						72				68																																	
						72	71	70	69	68		66	65	64	63		60			57	56		54	32	31	30	29	28		26	25		23	22	21	20							
SALEABLE	NOT APPLICABLE	34566-7513	9	A	BLACK	52	51	50	49	48		46	45	44	43		40	39	38	37	36																						
						72				68																																	
						72	71	70	69	68		66	65	64	63		60			57	56		54	32	31	30	29	28		26	25		23	22	21	20							
SALEABLE	NOT APPLICABLE	34566-7523	0	A	BLACK	52	51			48	47	46	45		43		41	40																									
						72				68																																	
						72				68																																	
SALEABLE	NOT APPLICABLE	34566-7533	0	G	BLUE	80	79	78							71	70		67																									
						60	59	58	57			54			51	50	49	48	47		45	44		42	41																		
						40	39		37	36		34	33	32		30	29	28	27		25	24		23	22	21																	
SALEABLE	NOT APPLICABLE	34566-7543 SAME AS P/N 34566-1553	0	A	BLACK	20	19	18																																			
						72				68																																	
						72				68																																	
SALEABLE	NOT APPLICABLE	34566-7553 SAME AS P/N 34566-1983	0	B	ST GRAY	72				68																																	
						52				48	47	46		43		40																											
						72				68																																	
SALEABLE	NOT APPLICABLE	34566-7563 SAME AS P/N 34566-1993	0	C	BLUE	72				68																																	
						52				48	47	46		43		40																											
						72				68																																	
SALEABLE	NOT APPLICABLE	34566-7573	0	B	ST GRAY	72			70	68																																	
						52				48	47	46		43		40																											
						72				68																																	

MX123 52/66/73/80-WAY RECEPTACLE ASSY SEALED PIN OUT SHEET

STATUS	GM PART #	HRNS CONN ASSY			TPA	GROMMET CAP																			
		MATERIAL/PART	WIRE DRESS OPTION	KEY OPTION ▽ Fp	COLOR OPTION ▽ Fp	NUMBERS INDICATE CAVITIES OPEN FOR CIRCUITS																			
		NUMBER				▽ Fp																			
SALEABLE	NOT APPLICABLE	34566-7683	9	B	ST GRN	72	71	70	69	68	67	66	65	64	63	62	61	60	59	58	57	56	55	54	53
						52	51	50	49	48	47	46	45	44	43	42	41	40	39	38	37	36	35	34	33
						73				32	31	30	29	28	27	26	25	24	23	22	21	20	19	18	17
				16	15	14	13	12	11	10	9	8	7	6	5	4	3	2	1						
SALEABLE	NOT APPLICABLE	34566-7693	9	A	BLACK	72								64		62	61			57	56	55	54		
						52	51					46	45		43			40			37		35	34	
						73				32	31	30	29	27	25					20					
				16	15		13		11	10	9					4									
SALEABLE	NOT APPLICABLE	34566-7713	9	A	BLACK	72								64		62	61			58	57	56	55	54	
						52	51			48		46	45		43		41	40			37		35	34	
						73				32		30	29		27		25			20					
				16	15		13		11	10	9				4	3									
SALEABLE	NOT APPLICABLE	34566-7723	9	A	BLACK	72								64		62	61			57	56	55	54	53	
						52	51			48		46	45		43		41	40			37		35	34	
						73				32		30	29		27		25			20					
				16	15		13		11	10	9				4										
SALEABLE	NOT APPLICABLE	34566-7733	9	A	BLACK	72								64		62	61			58	57	56	55	54	53
						52	51			48		46	45		43		41	40			37		35	34	
						73				32		30	29		27		25			20					
				16	15		13		11	10	9				4	3									
SALEABLE	NOT APPLICABLE	34566-7743	0	C	BLUE	72		70		68	67	66			63	62	61	60	59	58	57	56	55	54	53
						52	51		49	48	47	46		44		41	40	39		37	36	35	34	33	
						73				32		30			27	26	25	24		22	21	20			
					15	14	13			10	9	8		6	5	4			2						
SALEABLE	NOT APPLICABLE	34566-7753	0	A	BLACK		71	70	69	68	67			64	63	62	61	60	59	58	57	56	55	54	53
						52	51	50	49			45	44	43	42	41		39	38	37	36		34		
						73				32	31		29	28	27	26	25			19	18				
				16	15	14	13	12	11	10	9	8			3										
SALEABLE	NOT APPLICABLE	34566-7763	0	F	NATURAL																				
						73																			
SALEABLE	NOT APPLICABLE	34566-7773	0	B	ST GRN	72		70			67				63	62	61	60	59						
						52					46			43		41	40								
						73									27				22	21	20	19	18		
				16		14			11				6		4										
SALEABLE	TBD	34822-0153	9	A	BLACK		63	62	61	60	59					54	53		51		49	66			
							47								38	37		35		33					
						65									28			25		22	21	20	19	18	17
						15	14	13				8	7			3	2	1							
SALEABLE	NOT APPLICABLE	34566-7783	0	A	BLACK	72	71	70	69	68		66	65	64	63			60		57	56	55	54		
						52	51	50	49	48		46	45	44	43	42	41	40	39	38	37	36		34	
						73				32	31	30	29	28		26	25		23	22	21				
					15	14	13	12			9		7	6	5			2	1						
SALEABLE	NOT APPLICABLE	34566-7793	0	A	BLACK	72		70			67	66	65		63			60	59	58	57	56	55		
						52	51		49	48	47	46	45		43	42		40	39	38	37	36	35		
						73									28	27			23	22	21			18	17
									12	11		9						2	1						
SALEABLE	NOT APPLICABLE	34566-7813	0	A	BLACK			70	69	68	67				63	62	61	60	59	58	57	56	55	54	53
						52	51	50	49					44	43	42	41	40	39	38	37	36		34	
						73				32			29	28	27	26	25			21		19	18		
				16	15	14	13	12	11	10	9	8		5		3									
SALEABLE	NOT APPLICABLE	34566-7823	0	B	ST GRN	72				68	67				63	62	61	60	59						
						52				48	47	46		44	43		41	40		38	37	36	35		
						73						30			27					20	19	18			
				16		14			11			8		4					1						
SALEABLE	NOT APPLICABLE	34566-7833	0	B	ST GRN	72	71	70	69	68	67	66	65	64	63		61	60	59		57	56	55		
						52	51	50	49	48	47	46	45	44	43		41	40	39	38	37	36	35	34	33
						73				32	31	30	29	28		26	25	24	23	22	21	20	19	18	17
				16	15	14	13	12				8	7	6	5	4	3	2	1						

MX123 52/66/73/80-WAY RECEPTACLE ASSY SEALED PIN OUT SHEET

STATUS	GM PART #	HRNS CONN ASSY			TPA	GROMMET CAP																					
		MATERIAL/PART	WIRE DRESS OPTION	KEY OPTION Fp	COLOR OPTION Fp	NUMBERS INDICATE CAVITIES OPEN FOR CIRCUITS																					
		NUMBER				Fp																					
SALEABLE	NOT APPLICABLE	34566-7843	9	C	BLUE	52	71	50	49	48	67	47	65	64	45	44	62	61	60	58	57	54	33				
						73				16	15	14	13	12	11	10	9								18		
						72	71	70	69		67	66		64												54	
SALEABLE	NOT APPLICABLE	34566-7853	9	C	BLUE	52	51	50	49		47	46		44				39	38								
						73				16		30	29	28	27	26	25	24	23	22	21				17		
						72		70			68	67	66			63	62			59		57				53	
SALEABLE	NOT APPLICABLE	34566-7863	9	C	BLUE	52	51			48	47	46		44			40	39		37	36	35	34	33			
						73				32		30			27	26	25	24		22	21						
											15	14				10	9	8		6	5	4				2	
SALEABLE	NOT APPLICABLE	34566-7873	9	A	BLACK		71		69				65	64			61	60		58		56	55	54			
								50				45		43	42					38					35		
						73					31		29	28						23						19	18
SALEABLE	NOT APPLICABLE	34566-7883	9	A	BLACK																						
						73						31	30														
SALEABLE	NOT APPLICABLE	34566-7893	9	A	BLACK	72				68	67	66	65														
						73																					
SALEABLE	NOT APPLICABLE	34566-7893	9	A	BLACK	52	51	50	49	48		46	45	44	43	42		40	39	38	37	36	34	33			
						73				32	31	30	29	28						23	22	21	20				
SALEABLE	TBD	34822-0163	0	A	BLACK	64	63									54	53		51		49	66					
						65																					
SALEABLE	NOT APPLICABLE	34566-7913	9	G	BLUE	80	79	78			75				71	70											
						73																					
SALEABLE	NOT APPLICABLE	34566-7923	0	C	BLUE	52	71	70			67			64			61	60			57		54				
						73				32					28	27			25								
SALEABLE	NOT APPLICABLE	34566-7933	0	A	BLACK	72	71	70	69	68		66	65	64	63		61	60			57	56		54	53		
						73				32	31	30	29	28							23	22	21	20			
SALEABLE	NOT APPLICABLE	34566-7943	0	B	ST GRAY	72										62	61	60	59				55				
						73																					
SALEABLE	NOT APPLICABLE	34566-7953	0	B	ST GRAY	52				48	47	46			43		41	40		38	37	36	35				
						73																					
SALEABLE	NOT APPLICABLE	34566-7963	9	A	BLACK	72	71	70	69	68		66	65	64	63		61	60			57	56		54	53		
						73				32	31	30	29	28					26	25		23	22	21	20		
SALEABLE	NOT APPLICABLE	34566-7973	9	B	ST GRAY	72										62	61	60	59				55				
						73																					
SALEABLE	NOT APPLICABLE	34566-7983	9	B	ST GRAY	52		50	49	48	47	46	45		43		41	40						34	33		
						73																					

MX123 52/66/73/80-WAY RECEPTACLE ASSY SEALED PIN OUT SHEET

STATUS	GM PART #	HRNS CONN ASSY			TPA	GROMMET CAP																																			
		MATERIAL/PART	WIRE DRESS OPTION	KEY OPTION Fp	COLOR OPTION Fp	NUMBERS INDICATE CAVITIES OPEN FOR CIRCUITS																																			
		NUMBER				Fp																																			
SALEABLE	NOT APPLICABLE	34566-7993	9	C	BLUE	52	51	70	69	48	67	66	64	61	60	57	54	34	33	73	32	28	27	25	18	17															
						16	15	14	13	12	11	10	9	8	7																										
						71	50	49	47	46	45	44	41	40	39	37	34	33																							
SALEABLE	NOT APPLICABLE	34566-8013	9	C	BLUE	52	51	70	69	48	67	66	64	61	60	57	54	34	33	73	32	28	27	25	18	17															
						16	15	14	13	12	11	10	9	8	7																										
						71	50	49	47	46	45	44	41	40	39	37	34	33																							
SALEABLE	TBD	34822-0173	9	A	BLACK	64	48	46	45	44	43	42	41	40	36	34	66	65	32	31	30	29	27	26	24	23															
						16	12	11	10	9	6	5	4																												
						72	71	70	69	68	67	66	65	64	63	62	59	56	55	53																					
SALEABLE	NOT APPLICABLE	34566-8023	9	C	BLUE	72	71	70	69	68	67	66	65	64	63	62	59	56	55	53	73	31	30	29	26	24	23	22	21	20	19										
						16	12	11	10	9	8	7	6	5	4	3	2	1																							
						71	70	69	67	66	65	64	63	42	39	34	33																								
SALEABLE	NOT APPLICABLE	34566-8033	9	B	ST GRY	71	70	69	67	66	65	64	63	62	61	59	58	57	56	54	34	33	73	32	31	29	28	27	26	25	24	23									
						16	13	12	11	10	9	7	5	3	2																										
						71	70	69	67	66	65	64	63	42	39	34	33																								
SALEABLE	NOT APPLICABLE	34566-8043	9	A	BLACK	67	66	65	64	63	62	61	59	58	55	53	73	27	26	25	24	20	19	18	17																
						16	11	10	9	8	4	3	1																												
						72	71	70	69	68	67	66	65	64	63	62	59	58	55	53																					
SALEABLE	NOT APPLICABLE	34566-8053	9	A	BLACK	72	71	70	69	68	67	66	65	64	63	62	59	58	55	53	73	31	25	23	22	21	20	19	17												
						16	9	8	7	6	5	4	2	1																											
						72	71	70	69	68	67	66	65	64	63	62	59	58	55	53																					
SALEABLE	NOT APPLICABLE	34566-8063	9	C	BLUE	71	70	69	67	66	65	64	63	62	61	59	58	57	56	55	54	73	31	29	28	23	19	18	17												
						16	12	11	7	3	1																														
						71	70	69	67	66	65	64	63	62	61	59	58	57	56	55	54																				
SALEABLE	NOT APPLICABLE	34566-8073	9	B	ST GRY	69	68	67	66	65	64	63	62	61	59	58	57	56	55	54	73	12	11	9	7	6	5	4													
						16	11	9	7	6	5	4																													
						69	68	67	66	65	64	63	62	61	59	58	57	56	55	54																					
SALEABLE	NOT APPLICABLE	34566-8083	9	B	ST GRY	62	61	59	58	57	56	55	54	53	73	27	10	9																							
						16	11	9																																	
						62	61	59	58	57	56	55	54	53																											
SALEABLE	NOT APPLICABLE	34566-8093	9	A	BLACK	71	70	69	68	67	66	65	64	63	62	61	59	58	57	56	55	54	34	33	73	32	31	30	29	26	25	24	23	20	19						
						16	15	14	13	10	8	6	4	3																											
						71	70	69	68	67	66	65	64	63	62	61	59	58	57	56	55	54																			
SALEABLE	NOT APPLICABLE	34566-8113	9	C	BLUE	68	67	66	65	64	63	62	61	60	59	58	57	56	55	54	73	32	27	24	20	19	18														
						16	11	10	8	5	4	3	2	1																											
						68	67	66	65	64	63	62	61	60	59	58	57	56	55	54																					
SALEABLE	NOT APPLICABLE	34566-8123	0	G	BLUE	80	79	78	77	76	75	74	73	72	70	69	68	67	66	65	64	63	62	61	73	72	71	70	69	68	67	66	65	64	63	62	61				
						36	35	34	32	31	30	29	28	26	25	24	23	22	21																						
						80	79	78	77	76	75	74	73	72	70	69	68	67	66	65	64	63	62	61																	
SALEABLE	NOT APPLICABLE	34566-8133	0	G	BLUE	80	79	78	77	76	75	74	73	72	70	69	68	67	66	65	64	63	62	61	73	72	71	70	69	68	67	66	65	64	63	62	61				
						40	39	37	36	35	34	32	31	30	29	28	26	24	23	22	21																				
						80	79	78	77	76	75	74	73	72	70	69	68	67	66	65	64	63	62	61																	
SALEABLE	NOT APPLICABLE	34566-8143	0	G	BLUE	80	79	78	77	76	75	74	73	72	70	69	68	67	66	65	64	63	62	61	73	72	71	70	69	68	67	66	65	64	63	62	61				
						40	39	38	37	36	35	34	33	32	31	30	29	28	27	26	25	24	23	22	21																
						80	79	78	77	76	75	74	73	72	70	69	68	67	66	65	64	63	62	61																	

MX123 52/66/73/80-WAY RECEPTACLE ASSY SEALED PIN OUT SHEET

STATUS	GM PART #	HRNS CONN ASSY			TPA	GROMMET CAP																					
		MATERIAL/PART	WIRE DRESS OPTION	KEY OPTION Fp	COLOR OPTION Fp	NUMBERS INDICATE CAVITIES OPEN FOR CIRCUITS																					
		NUMBER				Fp																					
SALEABLE	NOT APPLICABLE	34566-8153	0	C	BLUE	72	71	70	69	68	67	66	65	64	63	62	61	60	59	58	57	56	55	34	33		
						52	51	50						28	27											35	18
						73				16		14	13													3	
SALEABLE	NOT APPLICABLE	34566-8163	9	B	ST GRY					68	67			64	63			59	58			55	54				
											47	46	45	44	43			39	38					35			
						73				32	31	30	29	28	27			23	22					19		17	
SALEABLE	NOT APPLICABLE	34566-8173	0	B	ST GRY	72		70		68	67				63	62	61	60	59								
						52						46			43		41	40									
						73									27					22	21	20	19	18			
SALEABLE	NOT APPLICABLE	34566-8183	9	H	ST GRY																						
						73									11			8		6		4					
SALEABLE	NOT APPLICABLE	34566-8193	0	G	BLUE		79	78	77	76	75	74			71				67		65		63				
						60	59	58	57	56	55	54		52					47		45		43				
						40		38	37				33	32	31	30	29		27	26							
SALEABLE	NOT APPLICABLE	34566-8213	0	H	ST GRY	20																					
						73																					
SALEABLE	NOT APPLICABLE	34566-8223	9	A	BLACK																						
						73																					
SALEABLE	NOT APPLICABLE	34566-8233	9	G	BLUE				77	76	75	74	73	72		70	69	68		66	65	64	63	62	61		
										56	55		53	52						46	45		43	42			
								38	37	36	35	34			31					26			23	22	21		
SALEABLE	NOT APPLICABLE	34566-8243	9	G	BLUE	20	19																				
						73																					
SALEABLE	NOT APPLICABLE	34566-8253	9	G	BLUE				77	76	75	74	73	72		70	69	68		66	65	64	63	62	61		
										56	55		53	52						46	45		43	42			
								38	37	36	35	34			31					26			23	22	21		
SALEABLE	NOT APPLICABLE	34566-8263	9	G	BLUE	20	19																				
						73																					
SALEABLE	NOT APPLICABLE	34566-8273	9	G	BLUE	80	79	78							71				67								
						60	59	58	57			54			51	50	49	48	47				44			41	
						40	39						33	32		30	29	28	27			25	24				
SALEABLE	NOT APPLICABLE	34566-8283	9	G	BLUE			18																			
						73																					
SALEABLE	NOT APPLICABLE	34566-8293	9	A	BLACK		71	70	69	68	67	66	65		63			60	59	58							
								50	49	48	47			44		42			39	38			36	35	34	33	
						73							31				28		26			24	23	22	21		19
SALEABLE	NOT APPLICABLE	34566-8313	9	A	BLACK		71	70	69		67	66	65		63			60	59	58							
								50	49	48	47			44		42	41		39	38			36	35	34	33	
						73							31				28		26			24	23	22	21		19



MX123 52/66/73/80-WAY RECEPTACLE ASSY SEALED PIN OUT SHEET

STATUS	GM PART #	HRNS CONN ASSY			TPA	GROMMET CAP																						
		MATERIAL/PART	WIRE DRESS OPTION	KEY OPTION Fp	COLOR OPTION Fp	NUMBERS INDICATE CAVITIES OPEN FOR CIRCUITS																						
		NUMBER																										
SALEABLE	NOT APPLICABLE	34566-8323	9	A	BLACK		71	70	69	68	67	66	65		63			60							53			
								50	49		47			44		42		24	23	22	21		36	19	18	17		
							73				31			14		12			8	7	6	5			2	1		
SALEABLE	NOT APPLICABLE	34566-8333	9	A	BLACK		71	70	69	68	67	66	65		63			60							53			
								50	49	48	47			44		42	41		39	38			36			33		
							73				31			14		12			8	7	6	5			3	2	1	
SALEABLE	NOT APPLICABLE	34566-8343	9	A	BLACK		71	70	69	68	67	66	65		63			60							53			
								50	49		47			44		42		39	38				36	35	34	33		
							73				31			14		12			8	7	6	5			2	1		
SALEABLE	NOT APPLICABLE	34566-8353	9	A	BLACK	72								64		62	61						57	56	55	54	53	
						52	51						46	45		43		41	40				37					
							73				32		30	29		27		25						20				
										16	15		13		11	10	9						4					
SALEABLE	NOT APPLICABLE	34566-8363	9	A	BLACK	72								64		62	61						57	56	55	54	53	
						52	51						46	45		43		40					37					
							73				32		30	29		27		25						20				
										16	15	14	13		11	10	9						5	4				
SALEABLE	NOT APPLICABLE	34566-8373	9	A	BLACK	72								64		62	61						57	56	55	54	53	
						52	51						46	45		43		41	40				37					
							73				32		30	29		27		25						20				
										16	15		13		11	10	9						4	3				
SALEABLE	NOT APPLICABLE	34566-8383	9	A	BLACK	72								64		62	61						57	56	55	54	53	
						52	51						46	45		43		40					37					
							73				32		30	29		27		25						20				
										16	15		13		11	10	9						4					
SALEABLE	NOT APPLICABLE	34566-8393	0	A	BLACK	72		70							63	62								56	55	54	53	
						52	51		49	48					43									36	35	34	33	
							73				31	30	29	28	27			24	23	22	21		20	19	18	17		
										16	15	14	13	12		10	9	8	7	6				3	2	1		
SALEABLE	NOT APPLICABLE	34566-8413	0	A	BLACK	72		70							63	62								56	55	54	53	
						52	51		49	48					43									36	35	34	33	
							73				31	30	29	28	27			24	23	22	21		20	19	18	17		
										16	15	14		12		10	9	8	7	6				3	2	1		
SALEABLE	NOT APPLICABLE	34566-8423	0	C	BLUE				69		67				64		62	61	60					57		54	33	
						52	51	50	49	48			46	45	44		42	41					37			34	33	
							73								28	27	26	25										
										16	15	14	13	12	11	10	9	8	7									
SALEABLE	NOT APPLICABLE	34566-8433	0	H	ST GRAY		79	78	77																	61		
						20											9						5			1		
SALEABLE	NOT APPLICABLE	34566-8443	0	C	BLUE		71	70				67	66	65	64			61	60	59	58	57			54			
						52	51	50		48	47		45	44			41		39	38	37				34	33		
							73				32			28	27		25		23						18	17		
										16	15	14	13	12	11	10	9	8	7	6	5							
SALEABLE	NOT APPLICABLE	34566-8453	0	A	BLACK	72	71	70	69	68			66	65	64	63			60					57	56		54	
						52	51	50	49	48			46	45	44	43	42		40	39	38	37	36			34		
							73				32	31	30	29	28					23	22	21	20					
											15	14	13	12					7	6	5	4			2			
SALEABLE	NOT APPLICABLE	34566-8463	0	B	ST GRAY	72		70				68					62	61	60	59					55			
						52				48	47	46		44	43			41	40				38	37	36	35		
							73						30										22	21	20	19	18	
										16	15	14						8		6			4			1		
SALEABLE	NOT APPLICABLE	34566-8473	0	C	BLUE		71	70				67	66	65	64			62	61	60				58	57	55	54	
						52	51	50	49	48	47		45	44		42	41						38	37		35	34	33
							73				32			28	27	26	25								19	18	17	
										16	15	14	13	12	11	10	9	8	7	6	5							

MX123 52/66/73/80-WAY RECEPTACLE ASSY SEALED PIN OUT SHEET

STATUS	GM PART #	HRNS CONN ASSY			TPA	GROMMET CAP																					
		MATERIAL/PART	WIRE DRESS OPTION	KEY OPTION Fp		COLOR OPTION Fp	NUMBERS INDICATE CAVITIES OPEN FOR CIRCUITS																				
		NUMBER					Fp																				
SALEABLE	NOT APPLICABLE	34566-8483	0	A	BLACK	72	71	70	69	68		66	65	64	63		61	60			57	56		54	53		
						52	51	50	49	48		46	45	44	43	42			40	39	38	37	36		34	33	
						73				32	31	30	29	28						23	22	21	20				2
SALEABLE	NOT APPLICABLE	34566-8493	0	B	ST GRAY	72		70		68	67					62	61	60	59				55				
						52				48	47	46		44	43			40									33
						73						30								22	21	20	19	18	17		
SALEABLE	NOT APPLICABLE	34566-8513	9	A	BLACK	72	71	70	69	68		66	65	64	63		61	60			57	56		54	53		
						52	51	50	49	48		46	45	44	43			40	39	38	37	36		34	33		
						73				32	31	30	29	28					24	23	22						
SALEABLE	NOT APPLICABLE	34566-8523	9	B	ST GRAY	72		70		68						62	61						55				
						52				48	47	46			43			40									
						73						30								22	21	20	19	18	17		
SALEABLE	NOT APPLICABLE	34566-8533	9	C	BLUE			70		67	66	65	64			61	60			57			54				
						52	51	50	49	48	47		45	44			41				37				34	33	
						73				32				28	27			25									18
SALEABLE	NOT APPLICABLE	34566-8543	9	C	BLUE		71		69		67	66	65	64			60			57			54				
						52	51	50	49	48	47	46	45	44						37					34	33	
						73				32				28	27												
SALEABLE	NOT APPLICABLE	34566-8553	0	B	ST GRAY					67	66	65	64			61	60			57			54				
						52	51	50	49	48	47	46	45	44								37				34	33
						73				32				28	27												
SALEABLE	NOT APPLICABLE	34566-8563	0	A	BLACK					67					63		60	59	58	57	56	55					
						52	51			48	47	46			43	42		40	39	38	37	36	35				
						73								28						22	21					18	17
SALEABLE	NOT APPLICABLE	34566-8573	0	B	ST GRAY	72	71	70	69	68	67	66	65	64	63		61	60	59		57	56	55				
						52	51	50	49	48	47	46	45	44	43		41	40	39	38	37	36	35			33	
						73				32	31	30	29	28				26		24	23	22	21	20	19		
SALEABLE	NOT APPLICABLE	34566-8583	0	C	BLUE	72	71	70	69		67	66	65	64			60				56			54			
						52	51	50	49		47	46	45	44			40	39	38						34		
						73					31	30		28		26	25	24	23	22	21						17
SALEABLE	NOT APPLICABLE	34566-8593	0	B	ST GRAY	72				68						62	61	60	59				55				
						52				48	47	46			43		41	40			38	37	36	35			
						73						30								22	21	20	19	18			
SALEABLE	TBD	34822-0183	0	A	BLACK	64	63	62	61	60	59					54	53		51		49	66					
																		38	37		35		33				
						65														24	23	22	21	20	19	18	17
SALEABLE	TBD	34822-0193	0	A	BLACK																						
						65														24	23	22	21	20	19	18	17
SALEABLE	TBD	34822-0203	0	A	BLACK																						
						65														24	23	22	21	20	19	18	17
SALEABLE	TBD	34822-0213	0	A	BLACK	64	63	62	61	60	59					54	53		51		49	66					
						65																					

MX123 52/66/73/80-WAY RECEPTACLE ASSY SEALED PIN OUT SHEET

STATUS	GM PART #	HRNS CONN ASSY			TPA	GROMMET CAP																								
		MATERIAL/PART	WIRE DRESS OPTION	KEY OPTION Fp		COLOR OPTION Fp	NUMBERS INDICATE CAVITIES OPEN FOR CIRCUITS																							
		NUMBER					Fp																							
SALEABLE	NOT APPLICABLE	34566-8613	0	C	BLUE	52	71	70			67	66	65	64			61	60	59	58	57			54						
										48	47			45	44			41	40	39	38	37				34	33			
						73				32				28	27			25		23							18	17		
SALEABLE	NOT APPLICABLE	34566-8623	9	C	BLUE					68			65		63	62	61		59	58	57	56	55		53					
										48			45		43	42	41					37	36	35	34	33				
						73				32	31													20	19	18				
SALEABLE	NOT APPLICABLE	34566-8633	0	B	ST GRAY	72										62	61													
						52				48	47	46			43			40												
						73							30										22	21	20	19	18	17		
SALEABLE	NOT APPLICABLE	34566-8643	0	C	BLUE		71	70			67	66		64			61	60					57		54					
						52	51	50	49	48			45	44			41								37		34	33		
						73				32				28	27			25										18	17	
SALEABLE	NOT APPLICABLE	34566-8653	9	C	BLUE		71			69			67	66	65	64	63		61	60				57						
						52	51	50		48	47	46	45		43			41								37		34	33	
						73								28	27			25												
SALEABLE	NOT APPLICABLE	34566-8663	0	B	ST GRAY	72	71	70	69						64	63		61	60			58	57	56	55					
						52	51	50	49						43										38	37	36		33	
						73				32			30	29	28			26	25	24	23	22	21	20						
SALEABLE	NOT APPLICABLE	34822-0223	0	A	BLACK	64	63	62	61	60	59					54	53		51					49	66					
																38	37									35				
						65					31			28						24	23	22	21	20	19	18	17			
SALEABLE	NOT APPLICABLE	34566-8673	0	F	NATURAL	72		70		68	67	66			63	62			59				57							
						52	51		49	48	47	46		44			41	40	39						37	36	35	34	33	
						73							30			27	26	25	24					22	21	20				
SALEABLE	NOT APPLICABLE	34566-8683	0	B	ST GRAY	72		70		68	67	66			63	62			59				57							
						52	51		49	48	47	46		44			41	40	39						37	36	35	34	33	
						73				32			30			27	26	25	24					22	21	20				
SALEABLE	NOT APPLICABLE	34566-8693	0	A	BLACK					68	67	66			63	62			59				57			53				
						52	51		49	48	47	46		44			41	40	39						37	36	35	34	33	
						73				32			30			27	26	25	24					22	21	20				
SALEABLE	NOT APPLICABLE	34566-8713	9	B	ST GRAY					68	67	66			63	62			59				57			53				
						52	51		49	48	47	46		44			41	40	39						37	36	35	34	33	
						73				32			30	29	28			26	25	24	23	22	21	20						
SALEABLE	NOT APPLICABLE	34566-8723	0	C	BLUE		71	70					66		64			61	60					57		54				
						52	51	50	49	48			45	44			41									37		34	33	
						73				32				28	27			25										18	17	
SALEABLE	NOT APPLICABLE	34566-8733	0	A	BLACK	72	71	70	69	68			66	65	64	63			60				57	56		54				
						52	51	50	49	48			46	45	44	43	42			40	39	38	37	36			34			
						73				32	31	30	29	28										23	22	21	20			
SALEABLE	NOT APPLICABLE	34566-8743	0	C	BLUE					67	66			64											54					
						52	51	50	49				46	45	44											39	38			
						73							30	29	28	27	26	25	24	23	22	21								17
SALEABLE	NOT APPLICABLE	34566-8753	0	B	ST GRAY	72	71	70	69	68	67	66	65	64	63			61	60			58	57	56	55	54	53			
						52	51	50	49	48	47	46	45	44	43			40								37	36	35	34	33
						73				32			30	29	28			26	25	24							21		19	

MX123 52/66/73/80-WAY RECEPTACLE ASSY SEALED PIN OUT SHEET

STATUS	GM PART #	HRNS CONN ASSY			TPA	GROMMET CAP																						
		MATERIAL/PART	WIRE DRESS OPTION	KEY OPTION Fp	COLOR OPTION Fp	NUMBERS INDICATE CAVITIES OPEN FOR CIRCUITS																						
		NUMBER				Fp																						
SALEABLE	NOT APPLICABLE	34566-8763	0	A	BLACK	72	71	70			67	66						59	58	57	56	55	54	53				
						52	51	50			47	46							39		37	36	35		18	17		
						73			32	31	30	29	28	27	26					21					3	2	1	
SALEABLE	12672857	34822-0243	9	A	BLACK	64	63	62	61	60	59					54	53		51		49	66						
							47									38	37		35		33							
						65							28					25	24		22	21	20	19	18	17		
SALEABLE	NOT APPLICABLE	34822-0253	0	A	BLACK		63	62	61	60	59					54	53		51		49	66						
																38	37		35		33							
						65							28					25	24		22	21	20	19	18	17		
SALEABLE	NOT APPLICABLE	34822-0263	9	C	BLUE	64	63	62		60	59					54	53		51		49	66						
						48	47	46	45							39	37		36	35	34	33						
						65			32	30	29	28	27	26	25	24	23	22	21					19	18	17		
SALEABLE	NOT APPLICABLE	34822-0273	9	A	BLACK	64	63									54	53		51		49	66						
							47									38	37		35		33							
						65							28								22		20	19	18	17		
SALEABLE	NOT APPLICABLE	34822-0283	0	A	BLACK				61	60	59				56	55				51		49	66					
						65			32																		17	
SALEABLE	NOT APPLICABLE	34822-0293	0	A	BLACK	64	63									54	53		51		49	66						
							47									38	37		35		33							
						65							28								22		20	19	18	17		
SALEABLE	NOT APPLICABLE	34566-8773	9	B	ST GRAY	72		70		68						62	61	60	59					55				
						52				48	47	46				43			40									
						73															22	21	20	19	18	17		
SALEABLE	NOT APPLICABLE	34566-8783	9	A	BLACK	72	71	70	69	68						61	60				57	56		54	53			
						52	51	50	49	48									40	39	38	37	36		34	33		
						73			32	31	30	29	28								23	22	21					
SALEABLE	NOT APPLICABLE	34566-8793	9	C	BLUE		71	70			67	66					61	60				57		54				
						52	51	50	49	48	47							41				37			34	33		
						73			32				28	27				25								18	17	
SALEABLE	NOT APPLICABLE	34566-8813	9	B	ST GRAY	72	71	70	69	68	67					65	64	63			61	60	59		57	56		
						52	51	50	49	48	47	46	45	44	43	42				40	39				36	35	34	33
						73			32	31	30	29	28	27	26	25	24	23	22	21								
SALEABLE	NOT APPLICABLE	34566-8823	9	C	BLUE	72	71	70	69		67	66							60						54			
						52	51	50	49		47	46							40	39								
						73							30	29	28	27	26	25	24	23	22	21					17	
SALEABLE	NOT APPLICABLE	34566-8833	9	C	BLUE	72		70		68	67	66				63	62			59		57		54	53			
						52	51		49	48	47	46						41	40	39		37	36	35	34	33		
						73			32						27	26	25	24		22	21	20					17	
SALEABLE	NOT APPLICABLE	34566-8843	0	C	BLUE			70	69		67	66												54				
						52	51	50	49		47	46						41		39	38							
						73							30	29	28	27	26	25	24	23	22	21					17	
SALEABLE	NOT APPLICABLE	34566-8853	0	B	ST GRAY	72				68	67					63	62	61	60	59				55				
						52				48	47	46				44	43		41	40		38	37	36	35			
						73							30			27						22	21	20	19	18	1	

MX123 52/66/73/80-WAY RECEPTACLE ASSY SEALED PIN OUT SHEET

STATUS	GM PART #	HRNS CONN ASSY			TPA	GROMMET CAP																							
		MATERIAL/PART	WIRE DRESS OPTION	KEY OPTION Fp	COLOR OPTION Fp	NUMBERS INDICATE CAVITIES OPEN FOR CIRCUITS																							
		NUMBER				Fp																							
SALEABLE	NOT APPLICABLE	34566-9143	9	F	NATURAL	72	71	70			67	66	65	64	63	62	61	60	59			56	55	54	53				
						52	51	50	49	48	47	46	45	44										36	35	34			
						73				32	31		29	28	27	26	25	24	23	22	21	20							
SALEABLE	NOT APPLICABLE	34566-9153	9	B	ST GRAY						66																		
																41			38	37									
						73																	20	19	18	17			
SALEABLE	NOT APPLICABLE	34566-9163	9	B	ST GRAY					68	67	66	65			62		60	59					54	53				
										48	47	46	45	44		42	41	40	39							35	34		
						73					31				27												19	18	17
SALEABLE	NOT APPLICABLE	34566-9173	0	B	ST GRAY								65			62				58									
																41			38	37									
						73																	5				19	18	17
SALEABLE	NOT APPLICABLE	34822-0363	9	C	BLUE				61				58																
										44	43		41	40		38												66	
						65					31													20					
SALEABLE	NOT APPLICABLE	34822-0373	9	A	BLACK	64	63	62	61	60						55			52	51		49							
						48	47	46	45							38												66	
						65				32		30	29		27												20	19	18
SALEABLE	NOT APPLICABLE	34822-0383	9	A	BLACK	64	63	62	61	60			57					52	51		49								
						48	47	46	45					40														66	
						65				32		30	29		27												20	19	18
SALEABLE	NOT APPLICABLE	34822-0393	0	A	BLACK	64	63	62	61	60			57					52	51		49								
						48	47	46	45							38												66	
						65				32		30	29		27												20	19	18
SALEABLE	NOT APPLICABLE	34822-0403	9	A	BLACK	64	63									54	53		51		49								
															38	37		35		33								66	
						65					31			28													20	19	18
SALEABLE	NOT APPLICABLE	34822-0413	0	A	BLACK																								
																38	37		35		33							66	
						65								28													20	19	18
SALEABLE	NOT APPLICABLE	34822-0423	9	A	BLACK																								
										44	43	42	41	40	39		37	36	35	34	33							66	
						65					31			28		26	25	24	23										
SALEABLE	NOT APPLICABLE	34566-9183	9	B	ST GRAY	72	71	70	69	68	67		65	64	63	62	61	60	59		57	56	55	54	53				
						52	51	50	49	48	47	46	45	44	43	42		40	39							36	35	34	33
						73				32	31	30	29	28	27	26	25	24	23	22	21								19
SALEABLE	NOT APPLICABLE	34566-9193	9	F	NATURAL				69	68																			
						73							30															19	18
SALEABLE	NOT APPLICABLE	34822-0433	0	A	BLACK	64	63	62		60	59		57	56	55	54	53	52	51	50	49								
						48	47	46	45				42			39		37	36	35	34	33						66	
						65				32		30	29	28	27	26	25	24	23	22	21						20	19	18
SALEABLE	NOT APPLICABLE	34822-0443	0	A	BLACK	64	63	62		60	59		57	56	55	54	53	52	51	50	49								
						48	47	46	45				42			39		37	36	35	34	33						66	
						65				32	31	30	29	28	27	26	25	24	23	22	21						20	19	18

MX123 52/66/73/80-WAY RECEPTACLE ASSY SEALED PIN OUT SHEET

STATUS	GM PART #	HRNS CONN ASSY			TPA	GROMMET CAP																								
		MATERIAL/PART	WIRE DRESS OPTION	KEY OPTION Fp	COLOR OPTION Fp	NUMBERS INDICATE CAVITIES OPEN FOR CIRCUITS																								
		NUMBER				Fp																								
SALEABLE	NOT APPLICABLE	34566-9323	9	A	BLACK	72										64		62	61		59	58	57	56	55	54	53			
						52	51			48		46	45		43		41	40									20		35	34
						73			32		30	29		27		25											4	3		
SALEABLE	NOT APPLICABLE	34566-9333	9	A	BLACK	72										64		62	61		59	58	57	56	55	54	53			
						52	51			48		46	45		43		41	40									37		35	34
						73			32		30	29		27		25												20		
SALEABLE	NOT APPLICABLE	34566-9343	9	C	BLUE	72		70	69	68		66					63	62				58			56	55		53		
									49			46			43	42		40					38			36	35			
						73					31	30	29			26		24						22	21		20	19		17
SALEABLE	NOT APPLICABLE	34822-0503	0	A	BLACK	64			62	61	60	59	58					54	53		51									
						48	47									38	37	36					34						66	
						65						30	29	28			26		24					21						17
SALEABLE	NOT APPLICABLE	34822-0513	9	A	BLACK		63	62	61								54	53					49							
																38	37						35			33			66	
						65					31			28				24					22	21		20	19	18	17	
SALEABLE	NOT APPLICABLE	34566-9353	9	A	BLACK	72										64		62	61			58	57	56	55	54	53			
						52	51			48		46	45		43		41	40								37		35	34	
						73			32		30	29		27		25											20			
SALEABLE	NOT APPLICABLE	34566-9363	9	A	BLACK	72										64		62	61				57	56	55	54	53			
						52	51					46	45		43			40							37		35	34		
						73			32		30	29		27		25											20			
SALEABLE	NOT APPLICABLE	34566-9373	9	G	BLUE	80																66			64					
							59		57										49											
							39											30												
SALEABLE	NOT APPLICABLE	34566-9383	9	A	BLACK	72	71	70	69	68					64	63	62	61		59	58	57	56	55	54	53				
						52	51	50		48	47	46	45	44	43		41	40	39	38	37					35	34	33		
						73			32		30	29		27	26	25	24									20	19	18	17	
SALEABLE	NOT APPLICABLE	34566-9393	0	B	ST GRAY	72	71	70	69	68	67		65	64	63		61	60	59		57	56	55	54	53					
						52	51	50	49	48	47	46	45	44	43	42		40	39						36	35	34	33		
						73			32	31	30	29	28	27	26	25	24	23	22	21	20					4	3	2		
SALEABLE	NOT APPLICABLE	34566-9413	9	H	ST GRAY																									
SALEABLE	NOT APPLICABLE	34566-9423	0	A	BLACK	72	71	70			67	66									58	57	56	55	54	53				
						52	51	50			47	46											39		37	36	35		33	
						73			32	31	30	29	28	27	26													18	17	
SALEABLE	NOT APPLICABLE	34566-9433	0	B	ST GRAY	72	71	70	69	68	67	66	65	64	63		61				58	57	56	55	54	53				
						52	51	50	49	48	47	46	45	44				40	39						37	36	35	34	33	
						73					30	29	28	27	26	25	24								21					
SALEABLE	NOT APPLICABLE	34566-9443	9	B	ST GRAY	72	71	70	69	68	67		65	64	63	62	61	60	59		57	56	55	54	53					
								50	49	48	47	46		44	43	42		40	39							36	35	34	33	
						73			32	31	30	29	28	27	26	25	24	23	22	21							4	3	2	
SALEABLE	NOT APPLICABLE	34566-9453	0	A	BLACK	72	71	70	69		67			64			61	60	59		57	56	55	54	53					
						52	51			48			45	44			41	40	39	38	37	36	35	34						
						73					31	30	29		27	26	25			22						19	18			

MX123 52/66/73/80-WAY RECEPTACLE ASSY SEALED PIN OUT SHEET

STATUS	GM PART #	HRNS CONN ASSY			TPA	GROMMET CAP																					
		MATERIAL/PART	WIRE DRESS OPTION	KEY OPTION Fp	COLOR OPTION Fp	NUMBERS INDICATE CAVITIES OPEN FOR CIRCUITS																					
		NUMBER				Fp																					
SALEABLE	NOT APPLICABLE	34566-9633	9	B	ST GRAY	72	71	70	69	68	67		65	64	63		61	60	59		57	56	55	54	53		
						52	51	50	49	48	47	46	45	44	43	42		40	39			36	35	34	33		
						73				32	31	30	29	28	27	26	25	24	23	22	21	20					
SALEABLE	NOT APPLICABLE	34566-9643	9	A	BLACK				69					64	63		61		59								
						52				48				44	43		41		39	38			35	34			
						73						30	29						10				5			2	
SALEABLE	NOT APPLICABLE	34566-9653	9	G	BLUE	80													66	65							
							59		57																		
							39									30											
SALEABLE	NOT APPLICABLE	34566-9663	0	B	ST GRAY	72	71	70	69	68	67	66	65	64	63		61			58	57	56	55	54	53		
						52	51	50	49	48	47	46	45	44			40			37	36	35	34	33			
						73				32		30	29	28		26	25	24		21						2	1
SALEABLE	NOT APPLICABLE	34822-0533	9	C	BLUE	64	63			60	59		57	56	55		53	52	51	50	49	66					
						48	47	46	45			42			39	38		36	35	34	33			20		18	17
						65				32		30	29	28	27	26	25	24	23	22			20			3	2
SALEABLE	NOT APPLICABLE	34822-0543	0	A	BLACK	64	63	62	61	60	59					54	53		51		49	66					
							47								38	37		35		33							
						65								28			25	24		22	21	20	19	18	17		
SALEABLE	NOT APPLICABLE	34822-0553	0	A	BLACK	64	63								54	53		51		49	66						
														38	37		35		33								
						65					31			28				24	23		21	20	19	18	17		
SALEABLE	NOT APPLICABLE	34822-0563	0	C	BLUE	64	63	62		60	59		57	56	55	54	53	52	51	50	49	66					
						48	47	46	45			42			39		37	36	35	34	33						
						65				32		30	29	28	27	26		24	23	22				19	18	17	
SALEABLE	NOT APPLICABLE	34566-9673	0	C	BLUE	72	71	70	69		67	66	65	64				60			56			54			
						52	51	50	49		47	46	45	44				40	39	38					34		
						73					31	30		28		26	25	24	23	22	21	20					
SALEABLE	NOT APPLICABLE	34566-9683	0	B	ST GRAY	72	71	70	69	68	67	66	65	64	63		61	60		57	56	55	54				
						52	51	50	49	48	47	46	45	44	43		41	40		38	37	36	35		33		
						73				32	31	30	29	28		26		24	23	22	21	20	19			17	
SALEABLE	NOT APPLICABLE	34566-9693	0	A	BLACK	72		70			67				63			60	59	58	57	56	55	53			
						52	51			48	47				43	42		40	39	38	37	36	35		33		
						73								28												18	17
SALEABLE	NOT APPLICABLE	34566-9713	0	B	ST GRAY					68	67	66	65	64					59	58	57		55	54	53		
							51	50	49	48		46	45		43	42		40	39	38	37		35			33	
						73				32	31	30				26		24	23	22		20					
SALEABLE	NOT APPLICABLE	34566-9723	0	B	ST GRAY	72	71	70	69	68	67	66	65	64	63		61			58	57	56	55				
						52	51	50	49	48	47	46	45		43		40			37	36						
						73				32		30	29	28		26	25	24		21		19					
SALEABLE	NOT APPLICABLE	34566-9733	0	A	BLACK	72	71	70			67	66						59						53			
						52	51	50			47	46						39		37			35			33	
						73						30	29	28	27	26			21							3	1
SALEABLE	NOT APPLICABLE	34822-0573	0	A	BLACK	64	63									54	53		51		49	66					
															38	37		35		33							
						65								28				24		22		20	19	18	17		



MX123 52/66/73/80-WAY RECEPTACLE ASSY SEALED PIN OUT SHEET

STATUS	GM PART #	HRNS CONN ASSY			TPA	GROMMET CAP																																	
		MATERIAL/PART	WIRE DRESS OPTION	KEY OPTION	COLOR	NUMBERS INDICATE CAVITIES OPEN FOR CIRCUITS 																																	
		NUMBER		OPTION	OPTION																																		
SALEABLE	NOT APPLICABLE	34822-0583	0	A	BLACK									59	58	57	56			54	53					50				66									
										44																													
						65								31				28						26	25	24	23					6							
SALEABLE	NOT APPLICABLE	34822-0593	0	A	BLACK	64	63	62		60	59			57	56	55	54	53			51		49							66									
						48	47	46	45																														
						65								32																				21			19	18	17
SALEABLE	NOT APPLICABLE	34566-9743	0	B	ST GRAY	72	71	70	69	68	67			65	64	63				61	60	59		57	56	55	54	53											
						73								32	31	30	29	28	27	26	25	24	23	22	21														
SALEABLE	NOT APPLICABLE	34566-9753	0	C	BLUE	72	71	70	69					67	66	65	64							56															
						52	51	50	49																														
						73																																	
SALEABLE	NOT APPLICABLE	34566-9763	0	G	BLUE																																		
						78				77	76																												
SALEABLE	NOT APPLICABLE	34566-9773	0	A	BLACK	72	71	70	69	68	67			65	64	63	62	61	60	59																			
						52	51	50																															
						73																																	
SALEABLE	NOT APPLICABLE	34566-9783	0	B	ST GRAY	72	71	70	69	68	67			65	64	63	62	61	60	59																			
						73																																	
SALEABLE	NOT APPLICABLE	34822-0603	0	C	BLUE	64	63	62		60	59			57	56	55	54	53																					
						48	47	46	45																														
						65								32																									
SALEABLE	NOT APPLICABLE	34822-0613	0	A	BLACK																																		
						63				62	61																												
SALEABLE	NOT APPLICABLE	34566-9793	9	B	ST GRAY																																		
						73																																	
SALEABLE	NOT APPLICABLE	34566-9813	9	A	BLACK	72	71	70						67	66	65	64	63	62	61	59																		
						52	51																																
						73																																	
SALEABLE	NOT APPLICABLE	34822-0623	0	A	BLACK	64	63	62		60	59			57	56	55	54	53	52	51	50	49																	
						48	47	46	45																														
						65								32	31	30	29	28	27	26	25	24	23	22															
SALEABLE	NOT APPLICABLE	34566-9823	0	A	BLACK	72	71	70	69	68	67			65	64	63				61	60	59		57	56	55	54	53											
						52	51	50	49	48	47	46	45	44	43	42																							
						73																																	
SALEABLE	NOT APPLICABLE	34822-0633	0	A	BLACK																																		
						63				62	61																												
SALEABLE	NOT APPLICABLE	34822-0643	9	C	BLUE	64	63			60	59			57	56	55																							
						48	47	46	45																														
						65								32																									

MX123 52/66/73/80-WAY RECEPTACLE ASSY SEALED PIN OUT SHEET

STATUS	GM PART #	HRNS CONN ASSY			TPA	GROMMET CAP																						
		MATERIAL/PART	WIRE DRESS OPTION	KEY OPTION Fp	COLOR OPTION Fp	NUMBERS INDICATE CAVITIES OPEN FOR CIRCUITS																						
		NUMBER				Fp																						
SALEABLE	NOT APPLICABLE	34822-0653	0	A	BLACK	64	63	62	61		59					54	53				49	66						
						65				31		28					24		22	21	20	19	18	17				
											15	14	13	12				8	7							4	3	2
SALEABLE	NOT APPLICABLE	34566-9833	9	B	ST GRAY	72	71	70	69	68	67			64	63		61			58	57	56	55	54	53			
						52	51	50	49	48	47			44	43		41			38	37	36					33	
						73				32		30	29	28		26	25	24	23	22	21	20						
SALEABLE	NOT APPLICABLE	34566-9843	9	A	BLACK	72	71	70			67	66	65	64	63	62	61		59						55	54	53	
						52	51	50			47	46	45	44	43	42	41	40	39									33
						73						30	29															18
SALEABLE	NOT APPLICABLE	34566-9853	9	B	ST GRAY	72	71	70	69	68	67		65	64	63	62	61	60	59	58	57	56	55	54	53			
						52	51	50	49	48	47	46	45	44	43	42		40	39									33
						73				32	31	30	29	28	27	26	25	24	23	22	21	20						
SALEABLE	NOT APPLICABLE	34566-9863	0	B	ST GRAY	72	71	70	69	68	67		65	64	63	62	61	60	59		57	56	55	54	53			
						52	51	50	49	48	47	46	45	44	43	42		40	39									33
						73				32	31	30	29	28	27	26	25	24	23	22	21							
SALEABLE	NOT APPLICABLE	34566-0004	0	A	BLACK	72	71	70	69		67			64	63		61	60	59		57	56	55	54	53			
						52	51			48			45	44	43		41	40	39	38	37	36	35	34	33			
						73						31	30	29		27	26	25		22							19	18
SALEABLE	NOT APPLICABLE	34566-0014	0	G	BLUE	80	79	78	77		75								66	65	64			62				
							59		57											46						43	42	41
							39	38	37		35		33	32		30				26	25	24						22
SALEABLE	NOT APPLICABLE	34566-0024	0	G	BLUE	20		18	17	16	15			12				8	7	6	5			3	2	1		
SALEABLE	NOT APPLICABLE	34566-0034	0	G	BLUE	80	79	78			75								66	65	64			62				
							59		57				53							46						43	42	41
							39	38	37		35		33	32		30				26	25	24						22
SALEABLE	NOT APPLICABLE	34566-0044	0	A	BLACK	72	71	70	69		67			64			61	60	59		57	56	55	54	53			
						52	51			48			45	44			41	40	39	38	37	36	35	34	33			
						73						31	30	29		27	26	25		22							19	18
SALEABLE	NOT APPLICABLE	34566-0054	0	G	BLUE	80	79	78	77		75								66	65	64			62				
							59		57											46						43	42	41
							39	38	37		35		33			30				26	25	24						22
SALEABLE	NOT APPLICABLE	34566-0064	0	A	BLACK	72	71	70	69		67			64	63		61	60	59		57	56	55	54	53			
						52	51			48			45	44	43		41	40	39	38	37	36	35	34				
						73						31	30	29		27	26	25		22							19	18
SALEABLE	NOT APPLICABLE	34566-0084	0	A	BLACK			70	69		67			64			61	60	59		57	56	55	54	53			
						52	51			48			45	44			41	40	39	38	37	36	35	34	33			
						73						31	30	29		27	26	25		22							19	18
SALEABLE	NOT APPLICABLE	34566-0094	0	B	ST GRAY	72	71	70	69	68	67		65	64	63	62	61	60	59		57	56	55	54	53			
						52	51	50	49	48	47	46	45	44	43	42		40	39									33
						73				32	31	30	29	28	27	26	25	24	23	22	21							
SALEABLE	NOT APPLICABLE	34566-0104	0	B	ST GRAY	72	71	70	69	68	67		65	64	63	62	61	60	59		57	56	55	54	53			
								50	49	48	47	46		44	43	42		40	39									33
						73				32	31	30	29	28	27	26	25	24	23	22	21							

