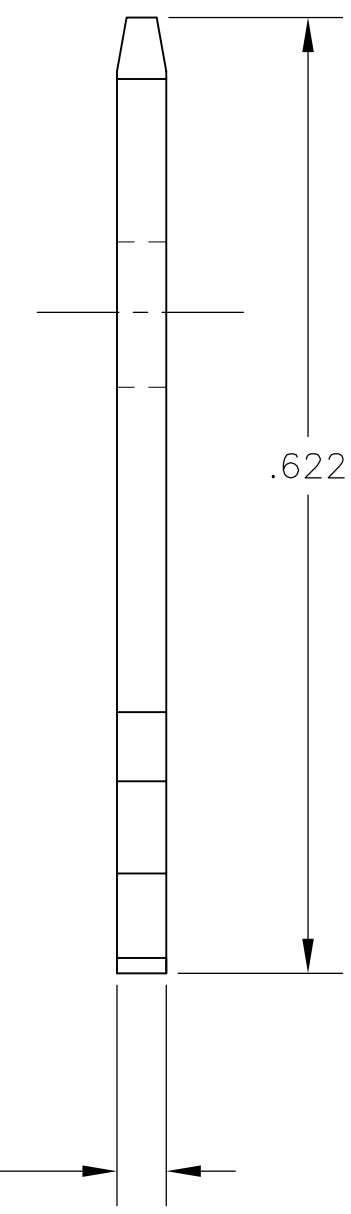
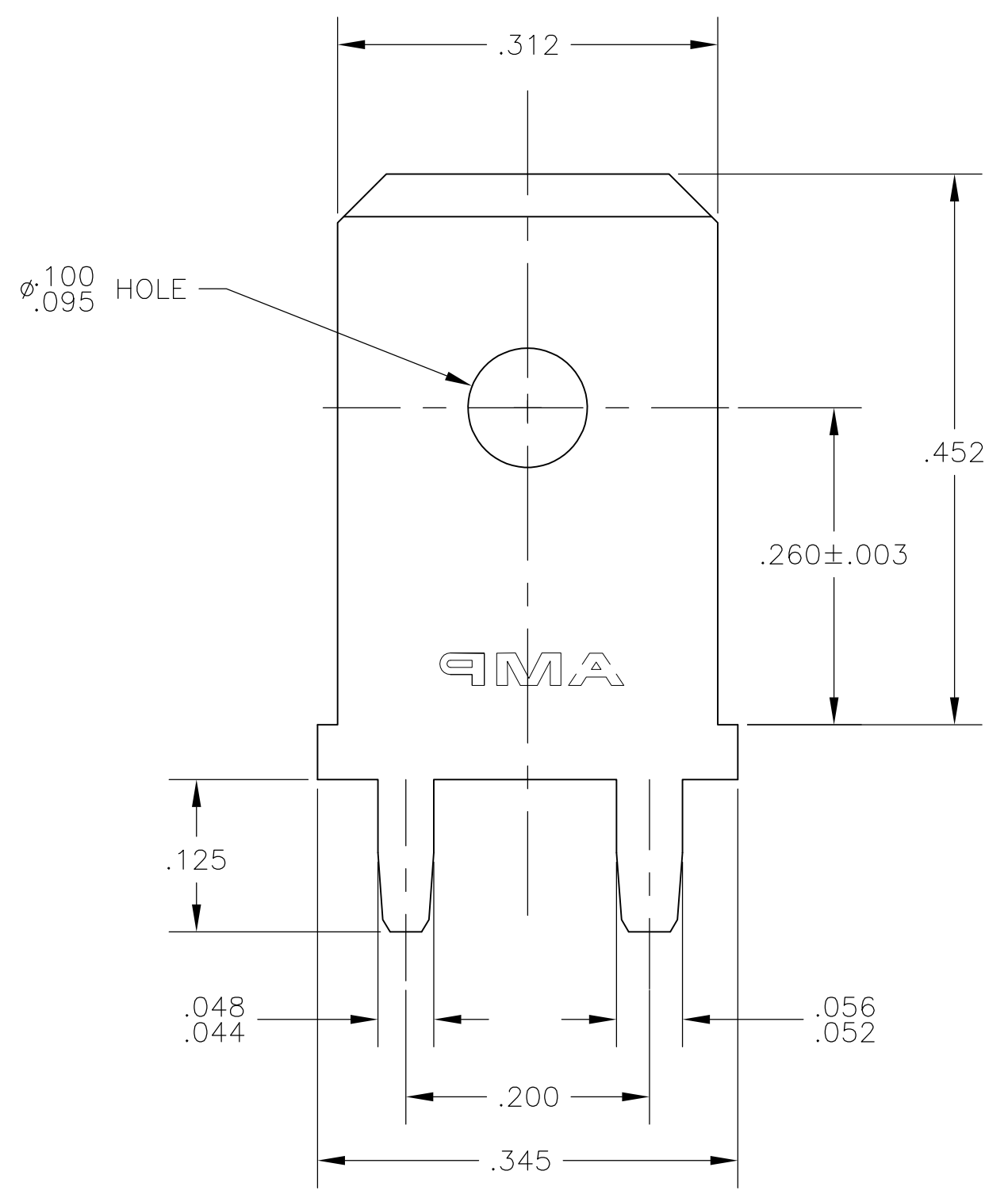
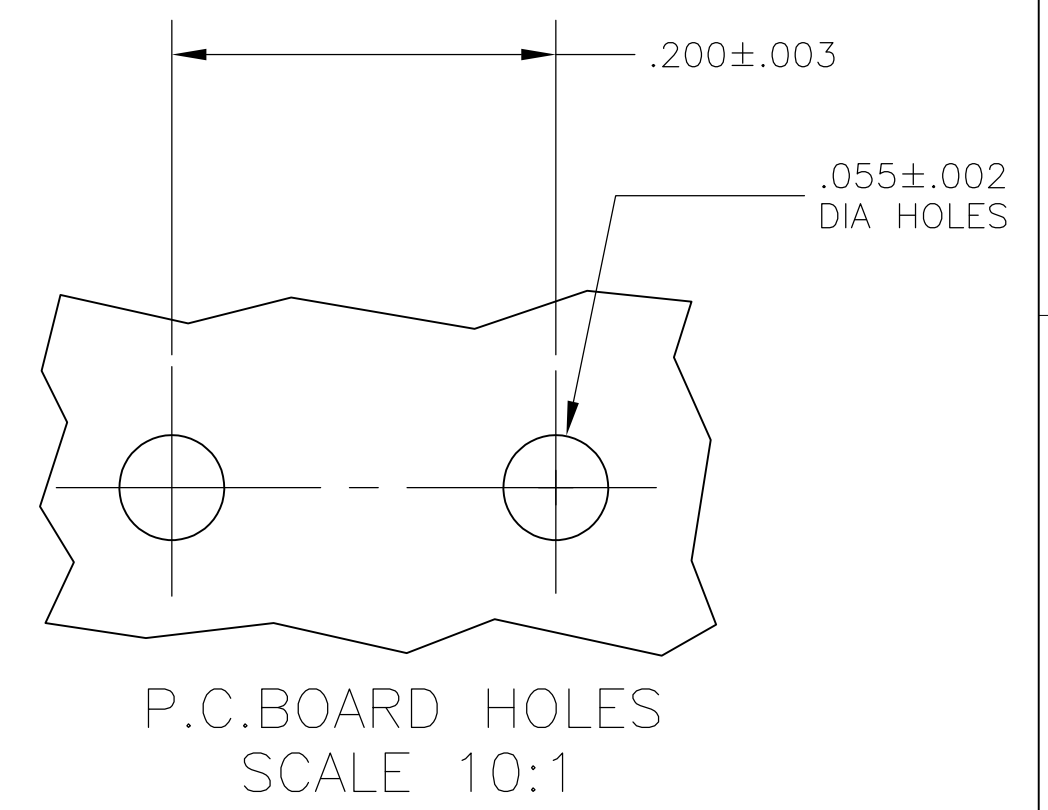


THIS DRAWING IS UNPUBLISHED. RELEASED FOR PUBLICATION
 © COPYRIGHT - By - ALL RIGHTS RESERVED.

LOC		DIST		REVISIONS					
AF		50		P	LTR	DESCRIPTION	DATE	DWN	APVD
					E	REVISED PER ECR-13-011489	12DEC2013	KH	PD



1 SUPPLIED IN LOOSE PIECE
 2 .000150 MIN TIN OVER
 .000100 MIN THK COPPER.



1217956-1
 PART NUMBER

THIS DRAWING IS A CONTROLLED DOCUMENT.		DWN	JR RUTH	19MAY03	TE Connectivity NAME TAB, FASTON, PC BOARD, .312 SERIES						
DIMENSIONS: INCHES		CHK	P DESANTIS	19MAY03							
TOLERANCES UNLESS OTHERWISE SPECIFIED:		APVD	P DESANTIS	19MAY03							
0 PLC ± - 1 PLC ± - 2 PLC ± .010 3 PLC ± - 4 PLC ± - ANGLES ± -		PRODUCT SPEC		NAME							
MATERIAL		APPLICATION SPEC		SIZE	CAGE CODE	DRAWING NO	RESTRICTED TO				
BRASS		FINISH		WEIGHT	A3 00779 C-1217956		-				
		TIN OVER COPPER		CUSTOMER DRAWING		SCALE	8:1	SHEET	1 OF 1	REV	E