

Materials

- 1. C3604 brass, nickel plated
- 2. C3604 brass, nickel plated
- 3. POM, black

Electrical requirements

Dielectric strength: 1 min @ 500 Vac and 2mA
 Insulation resistance: 100 MΩ @ 100 Vdc
 Contact resistance: 50 mΩ or less

Mechanical requirements

Durability: 5000 mating cycles while maintaining normal operation and < 50mΩ
 Bending strength: ≥ 1.5 kg
 Breaking strength: ≥ 3.0 kg

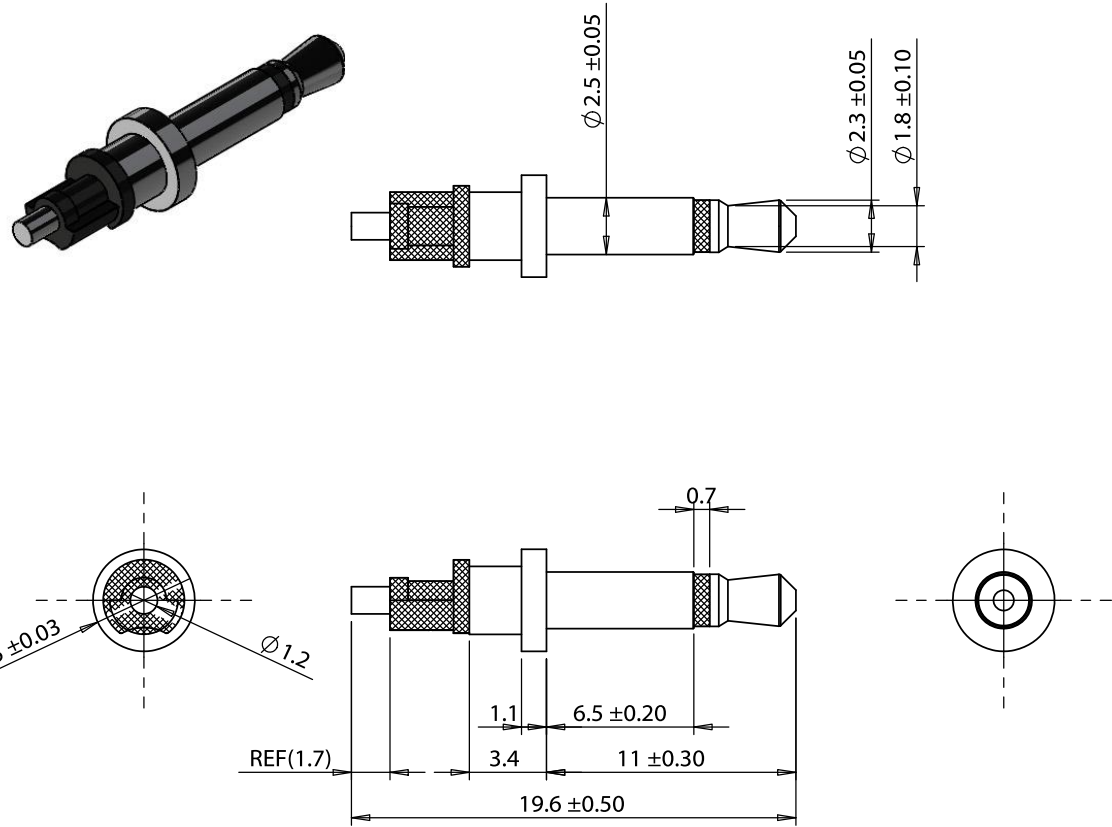
Environmental tests

Salt spray test: 5% NaCl spray at 1ml/80cm²/h, chamber temp 46.5°C, spray temp 35°C, 87% humidity, 48 hours.
 No oxidation.

Cold resistance: -25°C±3 for 2 hours with no degradation.
 Heat resistance: 85°C±3 for 2 hours with no degradation.

Operating range

-30 to 85 °C



| REVISION | DATE | DESCRIPTION |
|----------|--------|-----------------|
| A | 3/6/14 | Initial release |
| | | |
| | | |
| | | |
| | | |

PREPARED:

JM
 2014.03.06 11:16:35 -08'00'

VERIFIED:

LA
Digitally signed by LA
 DN: cn=LA, o=Tensility, ou,
 email=LA@tensility.com, c=US
 Date: 2014.03.06 12:27:23 -08'00'

DIMENSIONS ARE IN MILLIMETERS

TOLERANCES:
 X: ± 0.5 mm
 X.X: ± 0.3 mm
 X.XX: ± 0.05 mm

NOTES

RoHS compliant

Function test: no open, no short circuit, no INT

DESCRIPTION:

Connector, mono plug, 2.5xL19.6 mm, brass, nickel plated, molding style

TENSILITY

**20802 Sockeye Place #130
 Bend, OR 97701 USA
 tel 541.323.3228 fax 541.323.4202
 800 877.670.7118 www.tensility.com**

SIZE
 A **PART NUMBER**
50-00398

SCALE: 5:1 WEIGHT: SHEET 1 OF 1