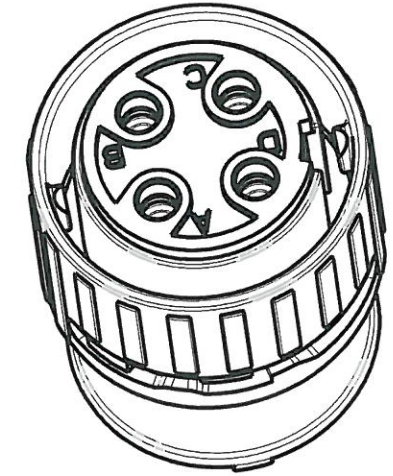
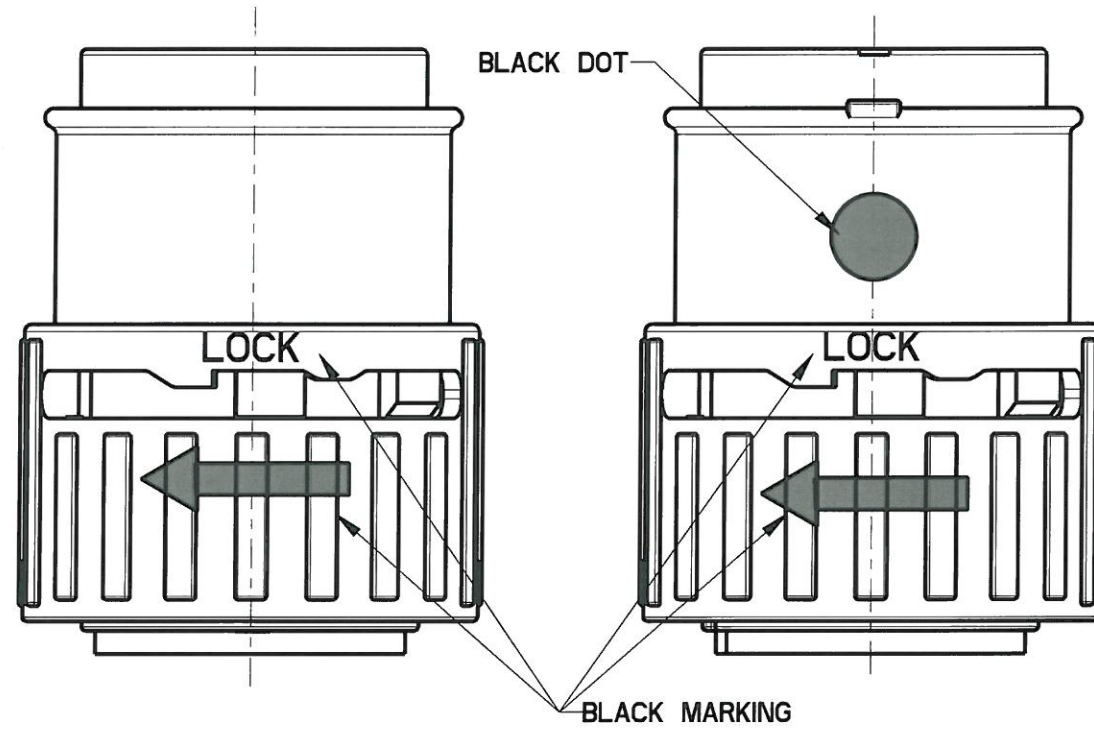
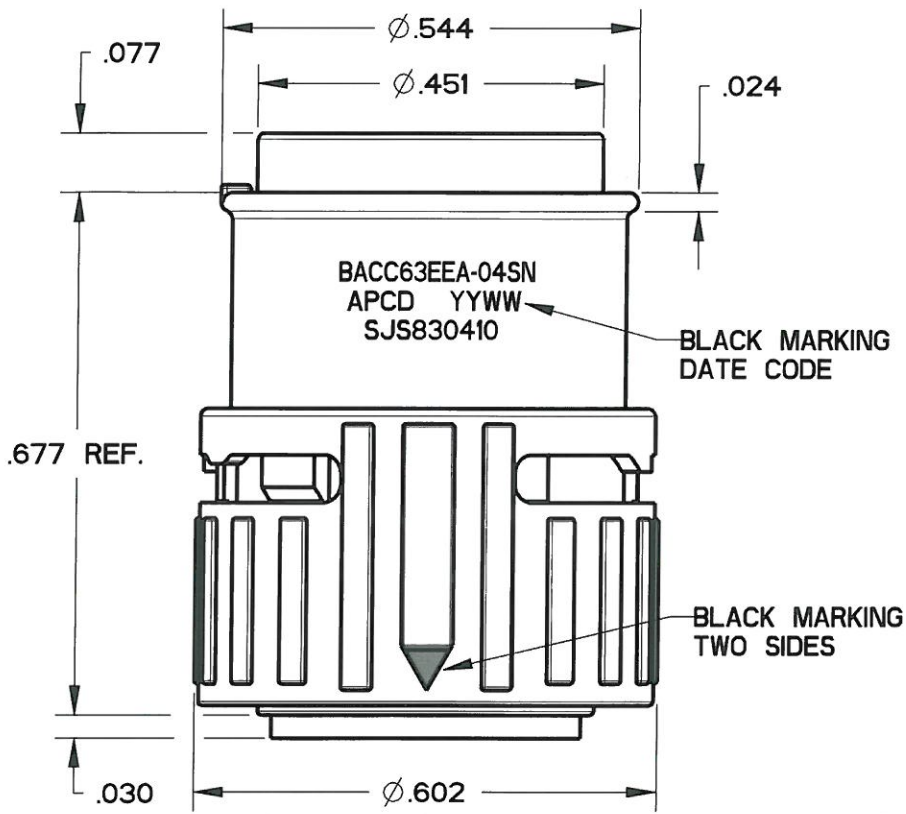
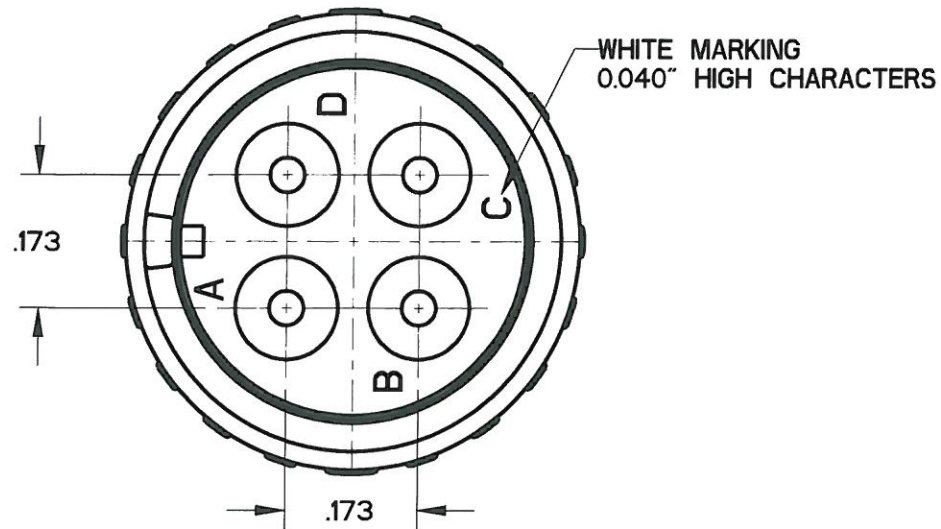


REV	ECN	APP'D
A	6351	JT 09/11/09
B	6473	JT 2/8/10
C	6481	JT 2/22/10
D	6573	JT 8/30/10
E	6655	JPT 1/18/11



SCALE 3:1

- NOTES:
- MATERIALS:
HOUSING: PA6/6
CONTACT RETAINER: STAINLESS STEEL
GROMMET: SILICONE RUBBER PER A-A-59588
 - MATING CONTACTS: SEE TABLE I
 - TEST SPECIFICATION: BACC63EE
 - WHEN ASSEMBLED, "LOCK" AND ARROW MARKINGS MUST ALIGN WITH BLACK DOT
 - PART MATES WITH SJS830400
 - WEIGHT: 2.7 GRAMS
 - SUPPLIED WITH DUST CAP

TABLE I

APCD P/N	BOEING P/N	P/N MARKING(S)	CONTACTS SUPPLIED
SJS830410	BACC63EEA-04SNH	BACC63EEA-04SN	NONE
SJS830411	BACC63EEA-04SN	SJS830410	(4) M39029/57-358

DIMENSIONS ANSI Y14.5M UNITS: INCHES Pro/E FILE	TOLERANCES .XX ±0.01 .XXX ±0.005 ANGLES ±1.0°	PROJECTION 	Amphenol Pcd SPECIFICATION DRAWING ENGR Frank.Li 15-Mar-09		TITLE BACC63EEA-04SN 4P SZ16 INLINE WHITE PLUG FOR SJS		
			ORIGINAL 	THIS DOCUMENT CONTAINS PROPRIETARY INFORMATION WHICH IS THE CONFIDENTIAL PROPERTY OF AMPHENOL PCD INC., BEVERLY, MA		CHKD 1/18/11 APPD 1/18/11	SIZE B
			CODE: 58982	SCALE: 4:1	SHEET 1 OF 1		

SJS830410

SJS830410