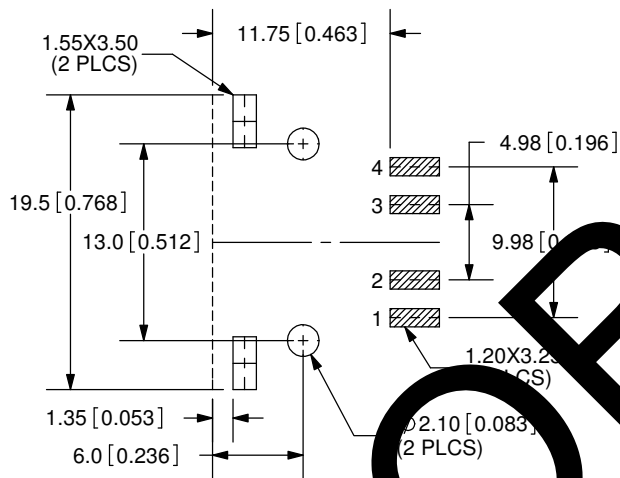
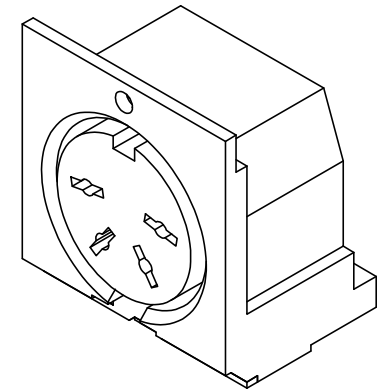
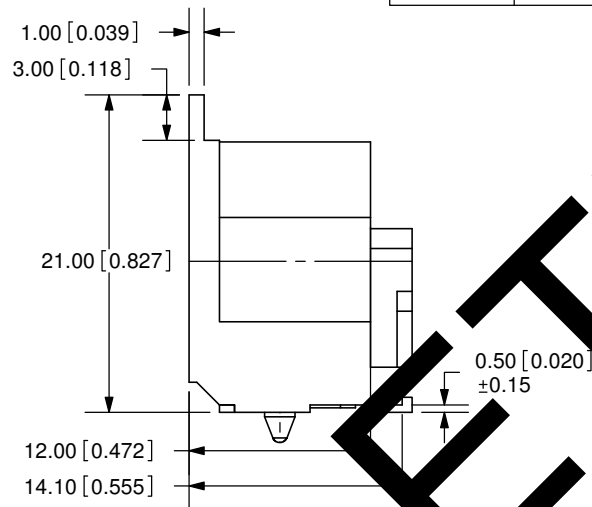
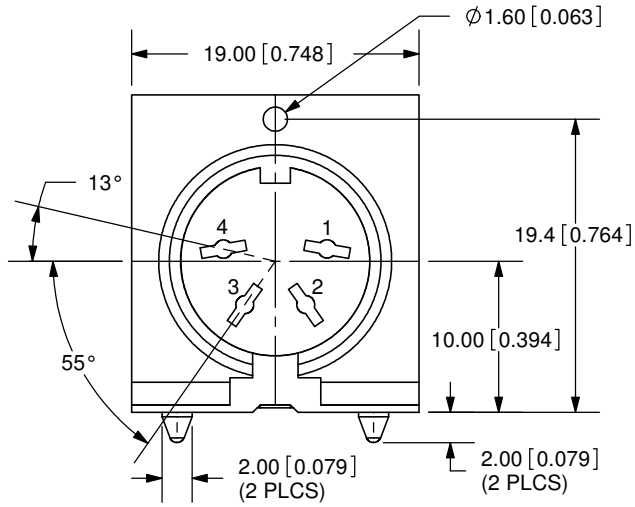
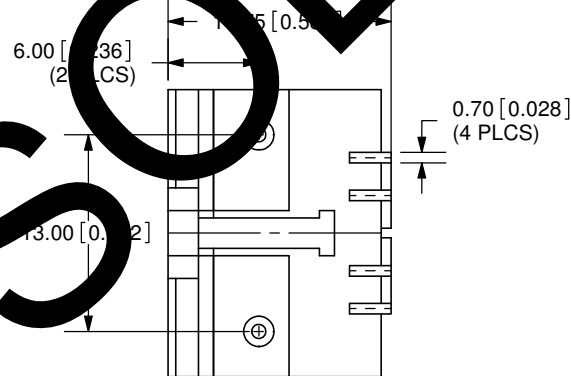


REV.	DESCRIPTION	DATE
A	NEW DRAWING	12/27/2005



PCB LAYOUT
TOP VIEW



OBSOLETE

TOLERANCE:
X.X ±0.2mm
X.XX ±0.1mm
X.XXX ±0.05mm



20050 SW 112th Ave.
Tualatin, OR 97062
Phone: 503-612-2300
800-275-4899
Fax: 503-612-2383
Website: www.cui.com

SPECIFICATIONS:
RATING: 24V DC @ 1A; 100V AC @ 2A
CONTACT RESISTANCE: 30m OHMS MAX
INSULATION RESISTANCE: 100M OHMS MIN; 500V DC
VOLTAGE WITHSTAND: 500V AC R.M.S. FOR 1 MINUTE
LIFE: 5,000 CYCLES

	MATERIAL	PLATING
TERMINALS (1-4)	Brass	Tin
EARTH TERMINAL	Phosphor Bronze	Tin
HOUSING	PBT	

TITLE: CIRCULAR DIN RECEPTACLE, SMT, 4 PIN		REV: A
PART NO. SDS-40J-SMT		UNITS: MM [INCHES]
DRAWN BY: ZRJ	APPROVED BY:	SCALE: 2:1

PC FILE NAME:
SDS-40J-SMT

COPYRIGHT 2007 BY CUI INC.