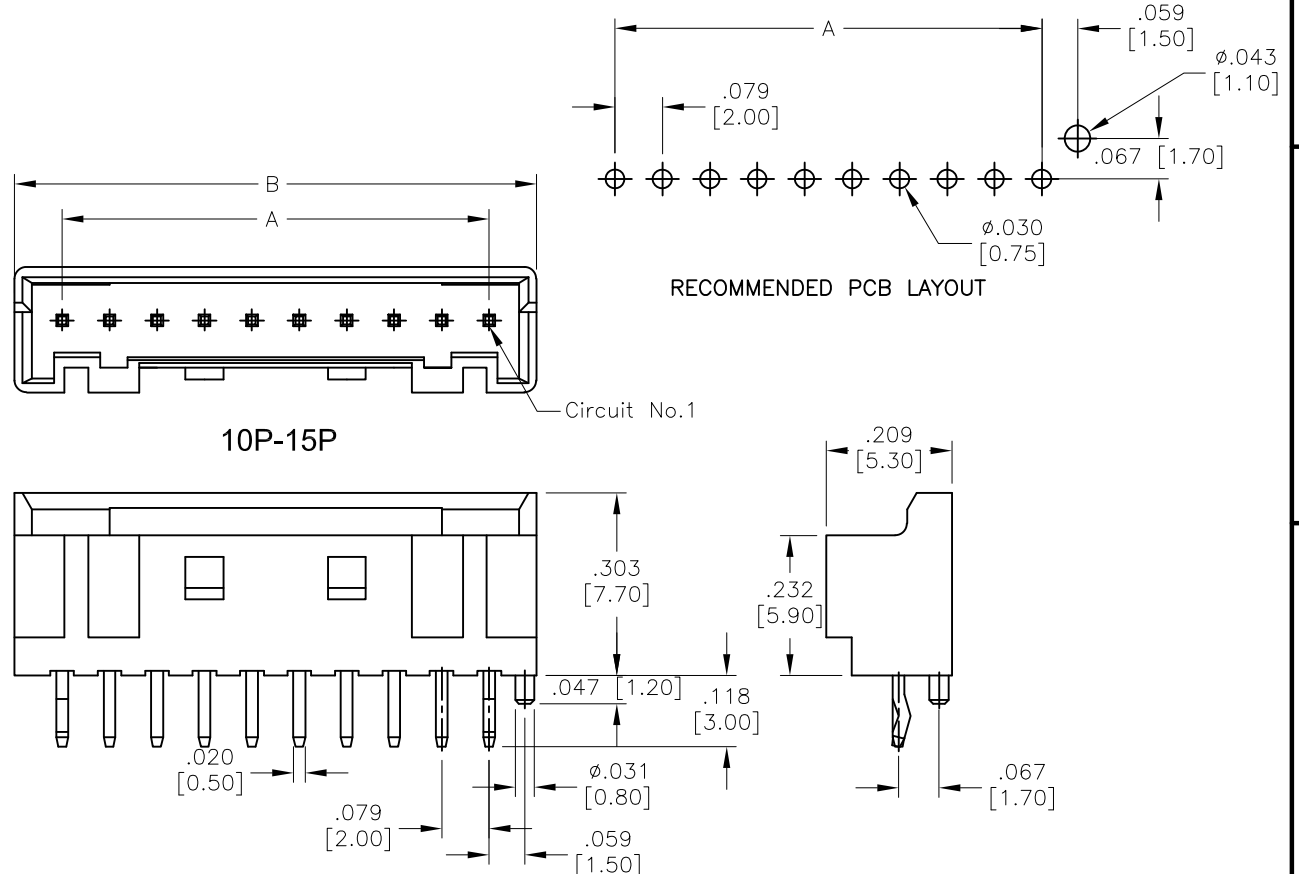
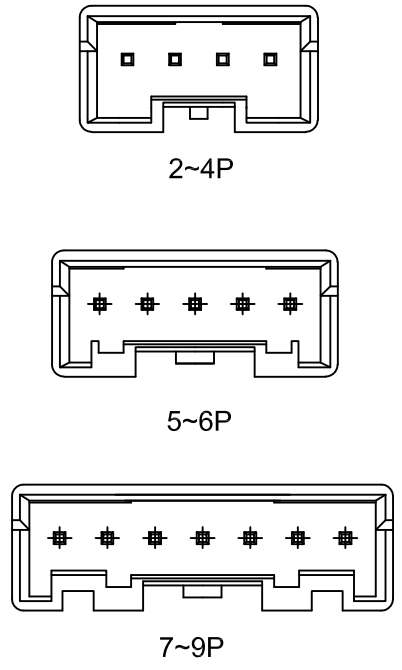


APPROVED: _____
 DATE: _____ TITLE: _____

Rev	AWO #	Description	Date	Appr
-		RELEASED	2/02/10	
A		REVISED SHAPE	12/22/12	
B		REVISED DIM.	2/5/14	AY
C		UPDATE DRAWING	9/24/20	AYLL1



SPECIFICATIONS:
 Material:
 Insulator: PBT, glass reinforced, rated UL 94V-0
 Insulator color: White
 Contacts: Brass
 Plating:
 Tin over Copper underplate overall
 Electrical:
 Voltage rating: 250 AC/DC
 Current rating: 3A AC/DC max AWG#22
 Contact resistance: 20 mohms max
 Insulation resistance: 1000 Mohms min
 Dielectric withstanding voltage: 800 VAC for 1 minute
 Temperature Rating:
 Operating temperature: -25°C to +85°C
 Environmental:
 Lead free, RoHS compliant



Positions: 02 thru 15
 A = .079 [2.00] x No. of Spaces
 B = .079 [2.00] x No. of Spaces + .157 [4.00]

UNLESS OTHERWISE SPECIFIED ALL DIMENSIONS ARE INCHES [MM] TOLERANCES: EXCEPT AS NOTED	
INCHES	HOLES
.X ± .10	Ø.X ± .10
.XX ± .020	Ø.XX ± .015
.XXX ± .015	Ø.XXX ± .010
APPROVALS	
DRAWN	DATE
DY	2/02/10
CHECKED	
APPROVED	

ADAM TECH INTERCONNECTS

909 Rahway Avenue,
 Union, NJ 07083
 Phone: 908-687-5000
 Fax: 908-687-5710

TITLE: **.079 [2.00] SHROUDED HEADER STRAIGHT, PCB**

SIZE X	PART NO. 2SH-H-XX-TS	REV. C
REF: S00015T	SCALE: NTS	SHEET 1 OF 1

6 5 4 3 2 1

D

C

B

A

6 5 4 3 2 1