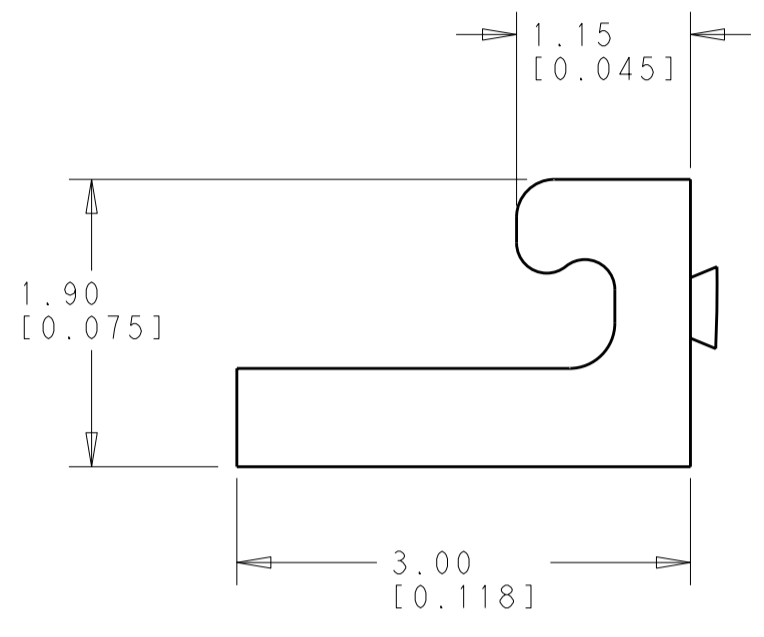
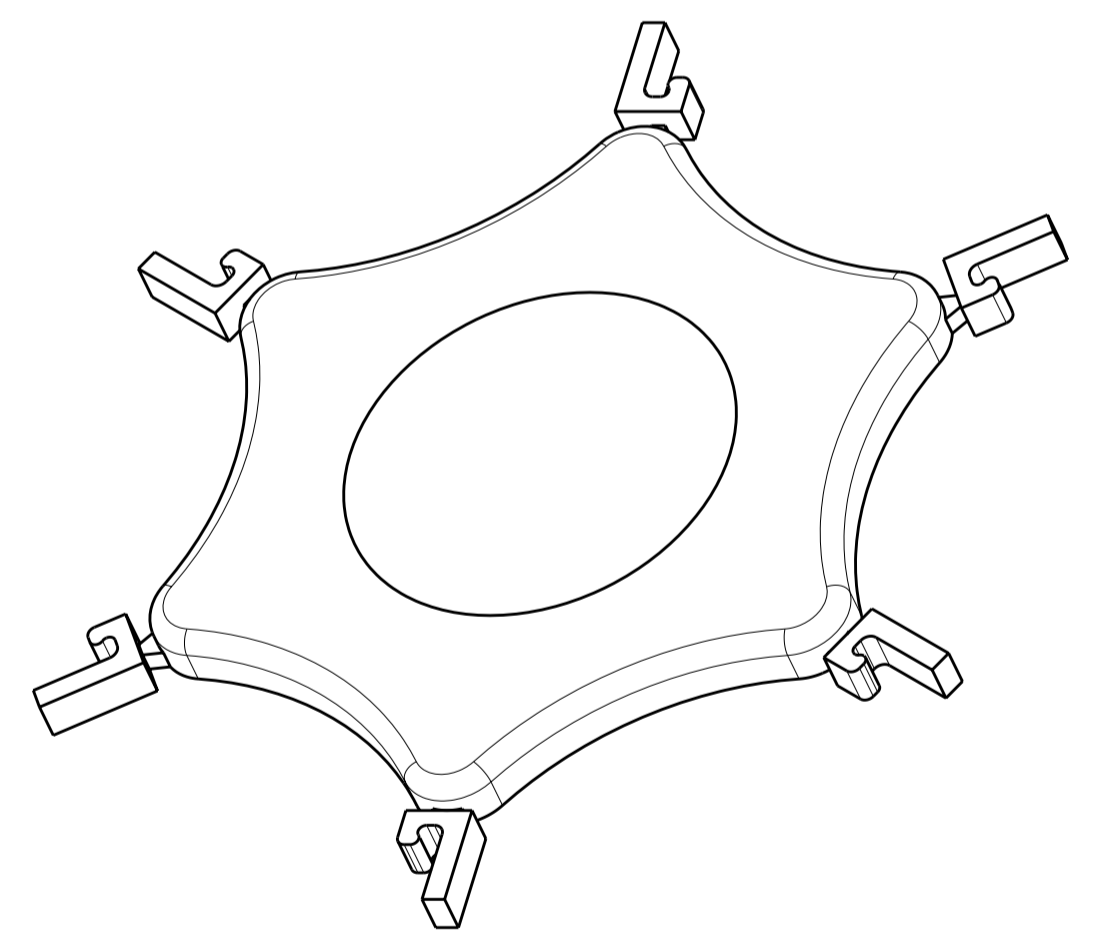
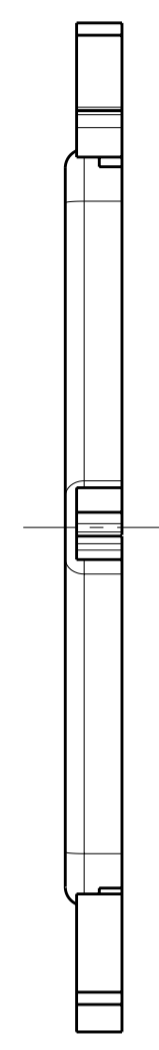
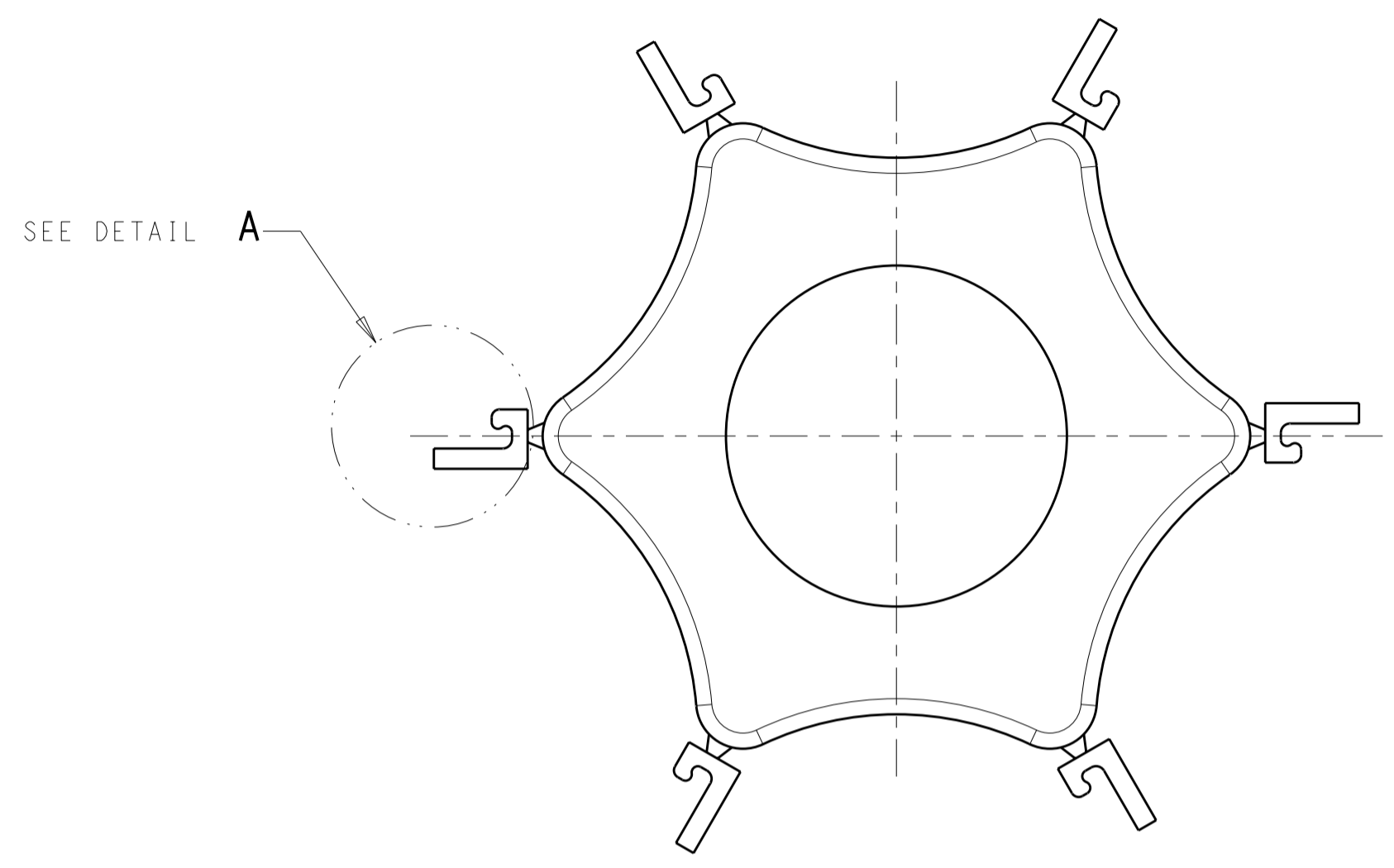


THIS DRAWING IS UNPUBLISHED. RELEASED FOR PUBLICATION 2009
 © COPYRIGHT 2009 ALL RIGHTS RESERVED.

LOC	DIST	REVISIONS			
P	LTR	DESCRIPTION	DATE	DWN	APVD
A		REVISED PER ECO-11-022623	18NOV11	KH	MS



DETAIL A
SCALE 20:1



1986671-1
PART NUMBER

THIS DRAWING IS A CONTROLLED DOCUMENT.		DWN 26FEB2011 RAGHAVENDRA	STE TE Connectivity	
DIMENSIONS: MM [INCHES]		CHK 26FEB2011 RICHARD CATHY		
TOLERANCES UNLESS OTHERWISE SPECIFIED:		APVD 26FEB2011 RICHARD CATHY	NAME PLZN KEY, TERMI-BLOK PLUG	
0 PLC ±-		PRODUCT SPEC	SIZE CAGE CODE DRAWING NO	
1 PLC ±-		APPLICATION SPEC	RESTRICTED TO	
2 PLC ±0.13		WEIGHT	A200779C-1986671	
3 PLC ±-		MATERIAL	SCALE 5:1 SHEET 1 OF 1 REV A	
4 PLC ±-		FINISH	CUSTOMER DRAWING	
ANGLES ±-				