

THIS DRAWING IS UNPUBLISHED.

RELEASED FOR PUBLICATION

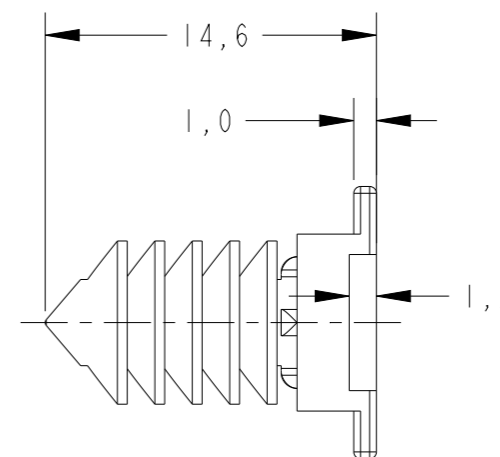
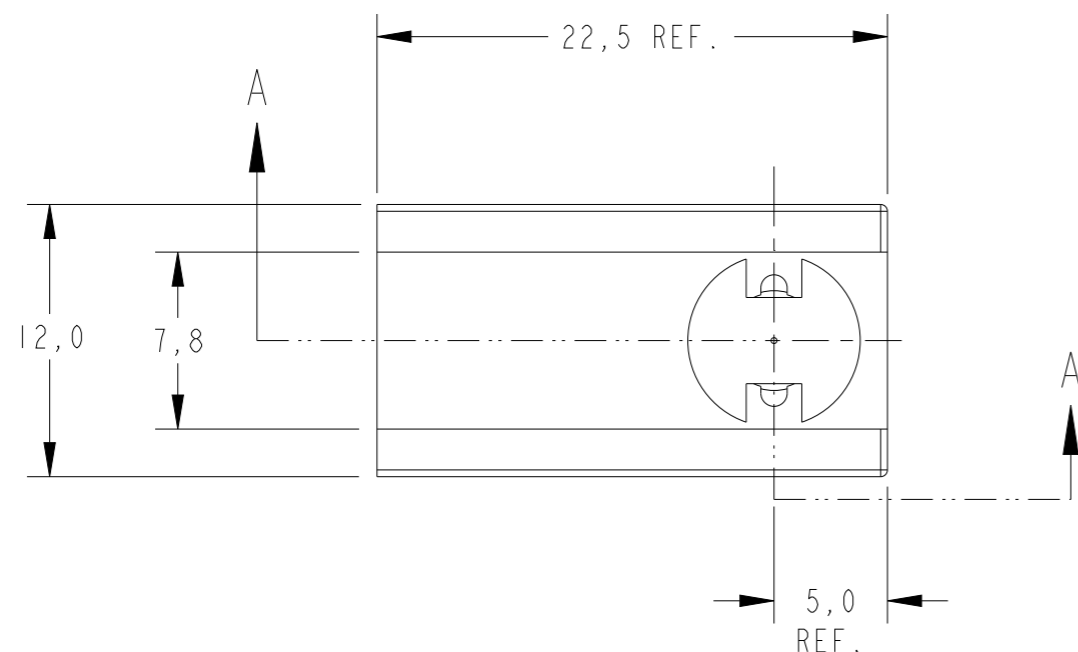
© COPYRIGHT 19 BY -

ALL RIGHTS RESERVED.

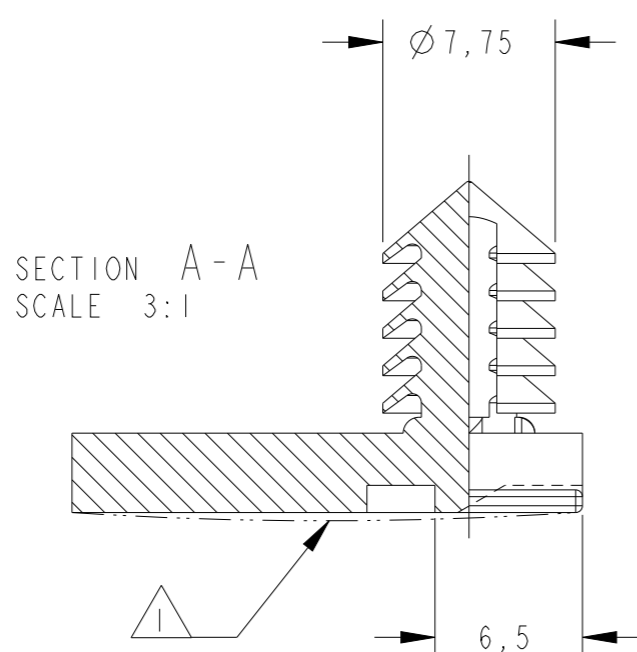
**creo**  
Creo Parametric 2.0  
**DO NOT REVISE**  
**EXCEPT BY CAD**

REVISIONS

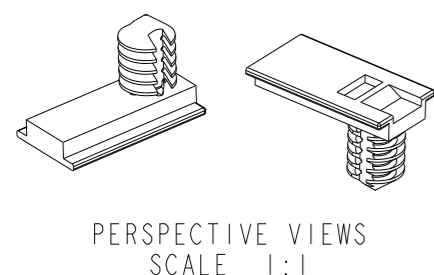
P	LTR	DESCRIPTION	DATE	DWN	APVD
	A	RELEASED	09OCT00	AP	PLF
	A1	REVISED PER ECN-22-144268	13JUN2022	AP	MT



GRAVAÇÃO MARKING
LOGOTIPO AMP AMP LOGO
CÓDIGO PAÍS PRODUTOR MANUFACTURER COUNTRY CODE
NOMENCLATURA MATERIAL MATERIAL NOMENCLATURE
NÚMERO COMPONENTE AMP AMP COMPONENT NUMBER
NÚMERO CAVIDADE CAVITY NUMBER
PAÍS PRODUTOR MANUFACTURER COUNTRY
REV+ LETRA REV.DA PEÇA REV.+ PART REV.LETTER



- △ - EMPENAMENTO PERMITIDO: 0.4 MÁX.
- △ - WARPAGE PERMITTED: 0.4 MAX.
- 2 - FURO PADRÃO DE MONTAGEM: 6.5±0.2.
- 2 - ASSEMBLING STANDARD HOLE: 6,5±0,2.
- 3 - ESPESSURA DA CHAPA: 0.56 A 5.10.
- 3 - PLATE THICKNESS: 0,56 TO 5,10.
- 4 - SIMILAR AO DESENHO AUTOLATINA DA PEÇA 547971904-C.
- 4 - SIMILAR TO AUTOLATINA DRAWING PART NUMBER 547971904-C.



OBSOLETE	PRETO / BLACK	PA 6.6	493912-2
	NATURAL	PA 6.6	493912-1
	FINISH	MATERIAL	PART NUMBER

THIS DRAWING IS A CONTROLLED DOCUMENT.		DWN A.PERUSSI 09OCT00	 TE Connectivity				
DIMENSIONS: mm		CHK P.L.FARIA 09OCT00					
TOLERANCES UNLESS OTHERWISE SPECIFIED:		APVD M.RODRIGUES 09OCT00					
0 PLC ±- 1 PLC ±0,3 2 PLC ±- 3 PLC ±- 4 PLC ±- ANGLES ±1°		NAME CHRISTMAS TREE WITHOUT GASKET					
MATERIAL SEE TABLE	FINISH SEE TABLE	PRODUCT SPEC -	APPLICATION SPEC -	SIZE A3	CAGE CODE -	DRAWING NO C-493912	RESTRICTED TO -
CUSTOMER DRAWING		SCALE 2:1		SHEET 1 OF 1	REV A1		