

ATOM RS-485 Kit

SKU:K045



Description

ATOM RS-485 is a TTL-RS485 converter designed for use with M5Atomic. Its function is for TTL level and RS485 level-conversion. RS485 is a communication protocol standard, which is used to define the electrical characteristics of drivers and receivers of a serial communication system. It supports a multi-point system and is widely used in industry. When the applications equipment needs to communicate and be controlled through RS485, ATOM RS-485 is an excellent choice. A DC/DC voltage regulator chip is integrated in the ATOM RS-485, which can directly convert the 12V voltage of RS485 to 5V to supply power for M5ATOM, avoiding the trouble of using a separate power supply.

Product Features

- Compatible ATOM Matrix/ATOM Lite
- SP3485EE
- Built-in DC/DC
- Multipoint communication

Include

- 1x ATOM RS-485
- 1x ATOM Lite
- 1x Hex Key
- 1x M2*8mm Hexagon socket cup head machine screw
- 1x 18cm TYPE-C Cable

Applications

- RS485 Multipoint communication
- Industrial control node
- RS485 to WiFi

Specification

Specification	Parameter
External port	VH-3.96 4P
Conversion level	5V<->12V
level-conversion IC	SP3485EE
DC-DC	A0Z1282CI
Net weight	28g
Gross weight	38g
Product Size	24*48*18mm
Package Size	54*54*20mm
Case material	Plastic (PC)

EasyLoader

EasyLoader is a concise and fast program writer, which has a built-in case program related to the product. It can be burned to the main control by simple steps to perform a series of function verification.

[Download Windows Version Easyloader](#)

[Download MacOS Version Easyloader](#)



Description:

Send and receive the message through RS485, LED is on, press the key to send the message

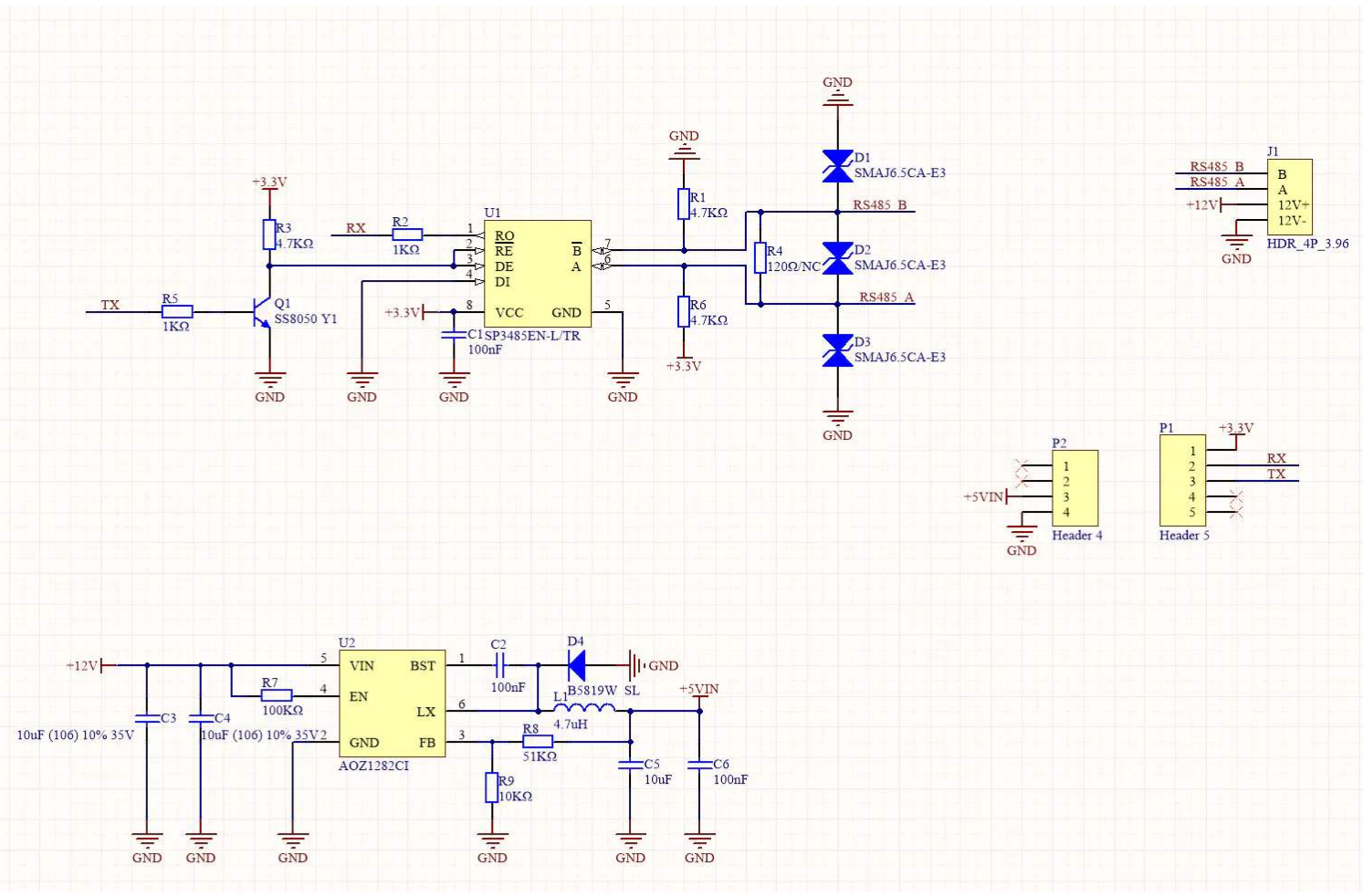
Related Link

- Datasheet
 - [SP485EEN](#)
 - [AOZ1282CI](#)

Pin Map

ATOM	GPIO22	GPIO19	5V	GND
ATOM RS-485	RX	TX	5V	GND

Schematic



Example

Arduino

- [Click here to download Arduino example](#)

UIFlow

- [Click here to download UIFlow example](#)

