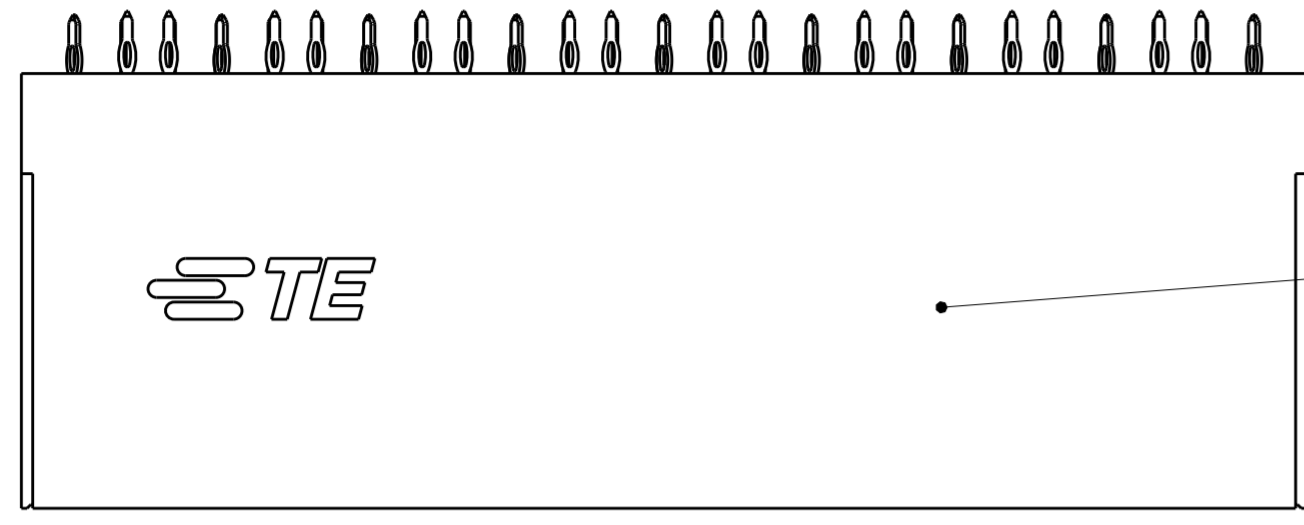
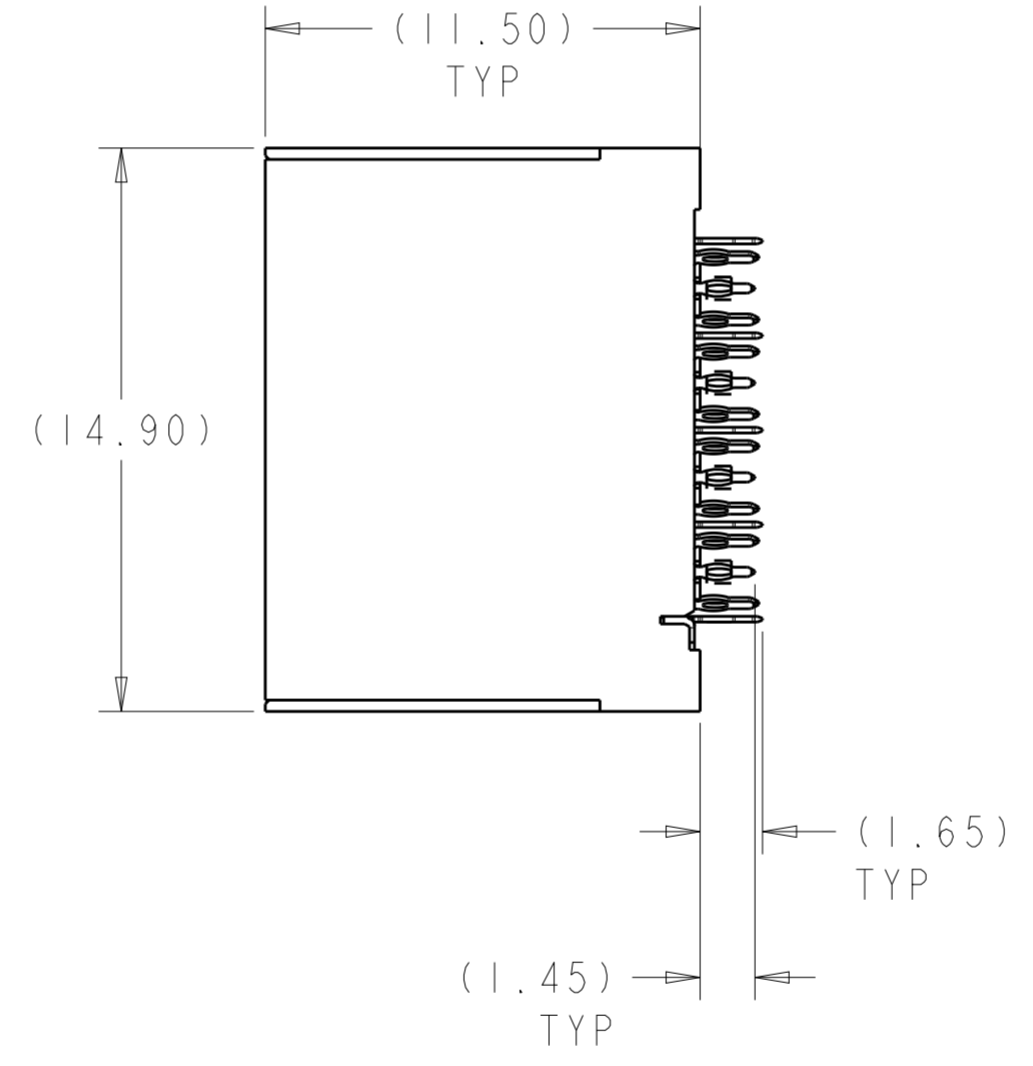
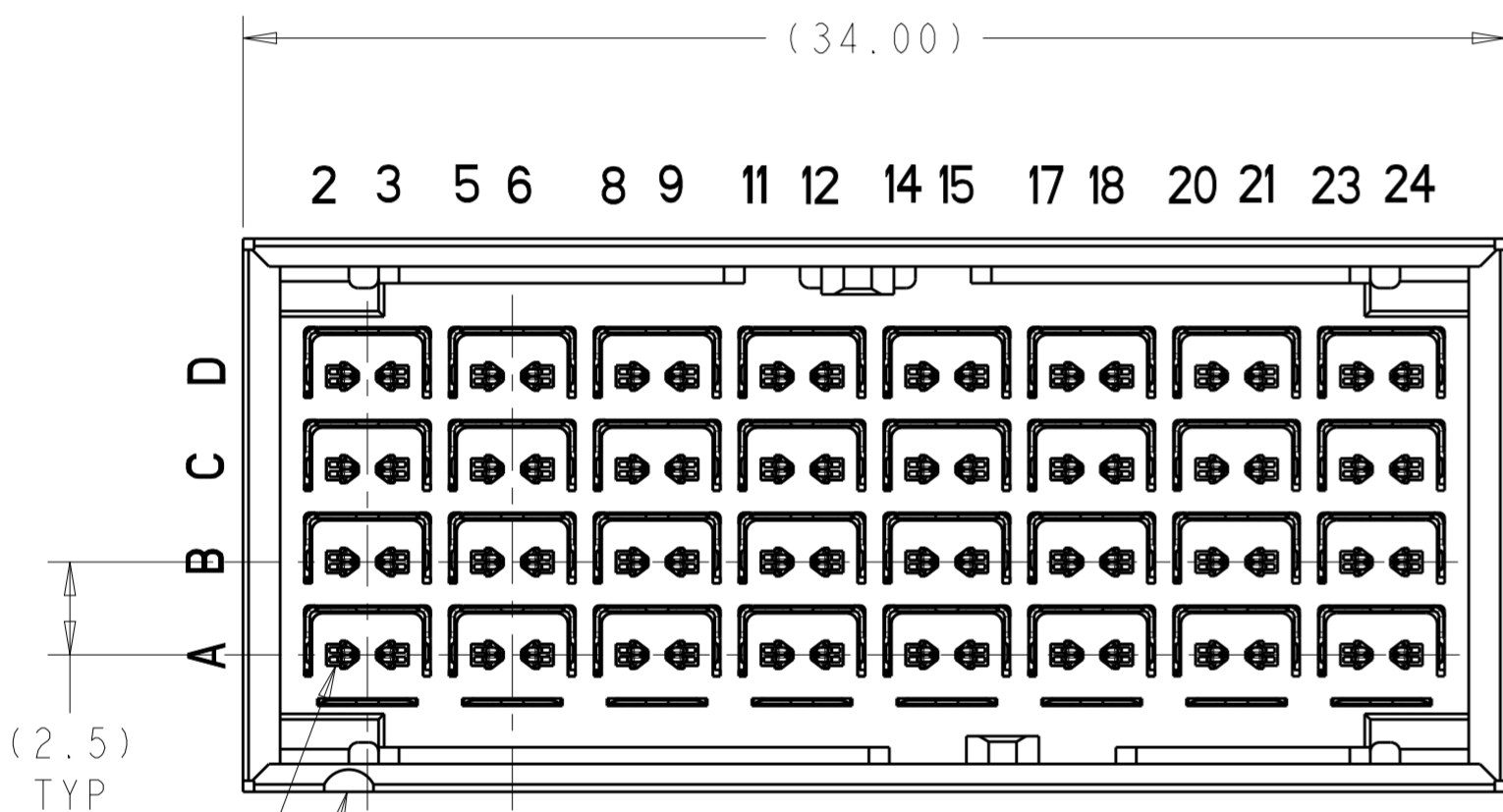


THIS DRAWING IS UNPUBLISHED. RELEASED FOR PUBLICATION 2011  
 © COPYRIGHT 2011 BY TE CONNECTIVITY ALL RIGHTS RESERVED.

| LOC | DIST | REVISIONS |     |             |           |     |      |
|-----|------|-----------|-----|-------------|-----------|-----|------|
| GP  | 00   | P         | LTR | DESCRIPTION | DATE      | DWN | APVD |
|     |      | A         |     | NEW DRAWING | 25JUL2018 | AP  | RP   |



- 1 MATERIAL:  
HOUSING: THERMOPLASTIC, UL 94V-0, BLACK  
CONTACTS AND SHIELDS: COPPER ALLOY
- 2 FINISH:  
- CONFORMS TO THE REQUIREMENTS OF TE PRODUCT SPECIFICATION 108-32021 BASED ON TELCORDIA GR-1217-CORE FOR SYSTEM QUALITY LEVEL III, APPLICATIONS IN CONTROLLED ENVIRONMENTS (CENTRAL OFFICE).  
- COMPLIANT PIN AREA: 0.5µm MIN MATTE TIN.
- 3 SIGNAL PLATED THRU HOLE REQUIREMENTS:  
FINISHED HOLE =  $\varnothing 0.34 \pm 0.05$   
HOLE SIZE PRIOR TO PLATING =  $\varnothing 0.420 \pm 0.025$   
COPPER THICKNESS = 0.025 MIN  
IMMERSION TIN IF APPLICABLE = 0.00095 REF
- 4 GROUND AND SI VIA PLATED THRU HOLE REQUIREMENTS:  
FINISHED HOLE =  $\varnothing 0.37 \pm 0.05$   
HOLE SIZE PRIOR TO PLATING =  $\varnothing 0.450 \pm 0.025$   
COPPER THICKNESS = 0.025 MIN  
IMMERSION TIN IF APPLICABLE = 0.00095 REF
- 5 PTH DIMENSIONS APPLY TO THE TOP 1.00mm OF THE PCB THICKNESS FROM THE CONNECTOR MOUNTING SIDE.
- 6 CONNECTOR MARKED WITH PART NUMBER, DATE CODE, AND "100 OHM" IN APPROXIMATE AREA SHOWN.
- 7 DATUMS AND BASIC DIMENSIONS ESTABLISHED BY CUSTOMER.
- 8 APPLIES TO FINISHED HOLE DIAMETER.



POSITION A1  
CORNER INDICATOR

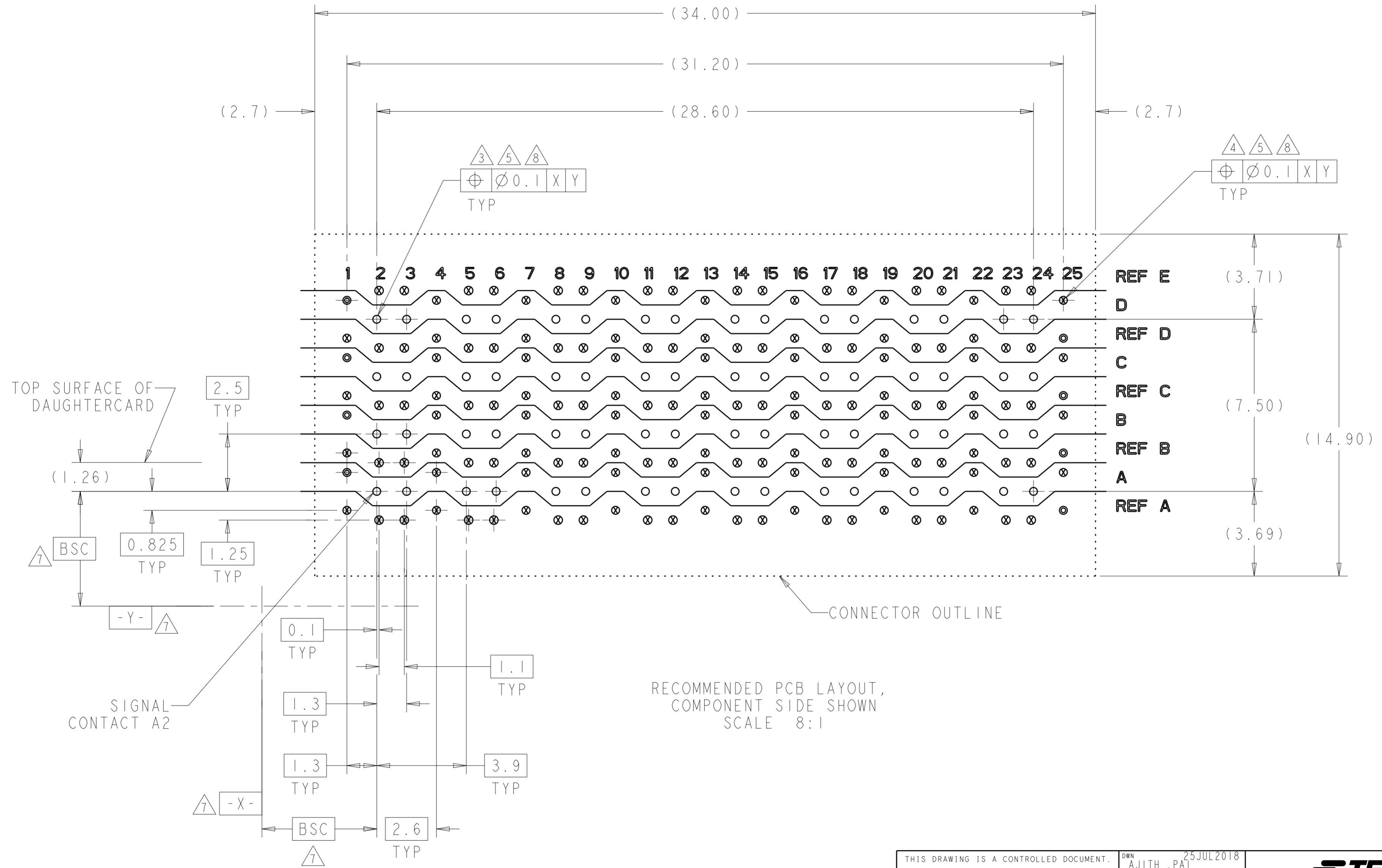
SIGNAL CONTACT A2

2187799-1  
PART NO

|   |  |                                   |   |                              |
|---|--|-----------------------------------|---|------------------------------|
| THIS DRAWING IS A CONTROLLED DOCUMENT.                                    |  | DWN<br>AJITH .PAL<br>25JUL2018    | <b>STE</b> TE Connectivity  |                              |
| DIMENSIONS:<br>mm   |  | CHK<br>AJITH .PAL<br>25JUL2018    |   |                              |
| TOLERANCES UNLESS OTHERWISE SPECIFIED:                                    |  | APVD<br>R. PATTERSON<br>25JUL2018 | NAME<br>HEADER ASSEMBLY, 4 PAIR, 8 COLUMN,<br>BACKPLANE, 92 OHM, PAIR-IN-ROW,<br>STRADA WHISPER |                              |
| 0 PLC ±<br>1 PLC ±<br>2 PLC ±<br>3 PLC ±<br>4 PLC ±<br>ANGLES ±<br>FINISH |  | PRODUCT SPEC<br>108-32021         | SIZE<br>A2  |                              |
| MATERIAL  |  | APPLICATION SPEC<br>114-32029     | CAGE CODE<br>00779  | DRAWING NO<br>C-2187799      |
| 1 -   |  | WEIGHT<br>-                       | RESTRICTED TO<br>-  |                              |
| 2 -   |  | CUSTOMER DRAWING                  |   | SCALE 5:1 SHEET 1 OF 2 REV A |

THIS DRAWING IS UNPUBLISHED. RELEASED FOR PUBLICATION 2011  
 © COPYRIGHT 2011 BY TE CONNECTIVITY ALL RIGHTS RESERVED.

| LOC | DIST | REVISIONS |     |             |      |     |      |
|-----|------|-----------|-----|-------------|------|-----|------|
| GP  | 00   | P         | LTR | DESCRIPTION | DATE | DWN | APVD |
|     |      | -         |     | SEE SHEET 1 |      |     |      |



○ = SIGNAL  
 ⊗ = GROUND  
 ⊙ = SIGNAL INTEGRITY VIA TO GROUND

|   |  |                                   |                     |   |                         |                    |
|---|--|-----------------------------------|---------------------|---|-------------------------|--------------------|
| THIS DRAWING IS A CONTROLLED DOCUMENT.  |  | DWN<br>AJITH .PAL<br>25JUL2018    | <br>TE Connectivity | NAME<br>HEADER ASSEMBLY, 4 PAIR, 8 COLUMN,<br>BACKPLANE, 92 OHM, PAIR-IN-ROW,<br>STRADA WHISPER |                         |                    |
| DIMENSIONS:<br>mm   |  | CHK<br>AJITH .PAL<br>25JUL2018    |                     | PRODUCT SPEC<br>108-32021   | SIZE<br>A2              | CAGE CODE<br>00779 |
| TOLERANCES UNLESS OTHERWISE SPECIFIED:<br>0 PLC ±<br>1 PLC ±<br>2 PLC ±<br>3 PLC ±<br>4 PLC ±<br>ANGLES ±<br>FINISH |  | APVD<br>R. PATTERSON<br>25JUL2018 |                     | APPLICATION SPEC<br>114-32029   | DRAWING NO<br>C-2187799 | RESTRICTED TO<br>- |
| MATERIAL  |  | WEIGHT<br>-                       |                     | CUSTOMER DRAWING  | SCALE<br>5:1            | SHEET<br>2 OF 2    |