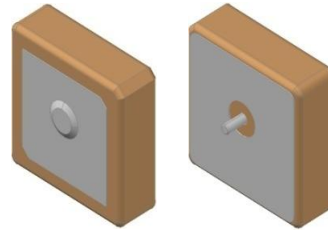


# Preliminary Specification



## Patch Antenna JLT1575S12P2D

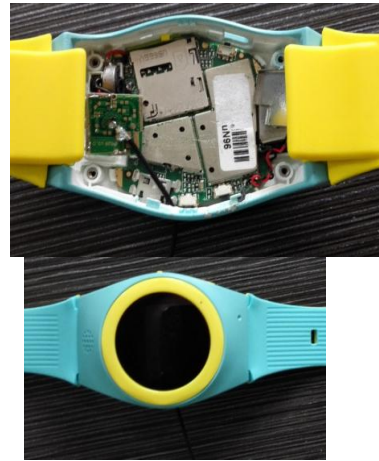


### Feature

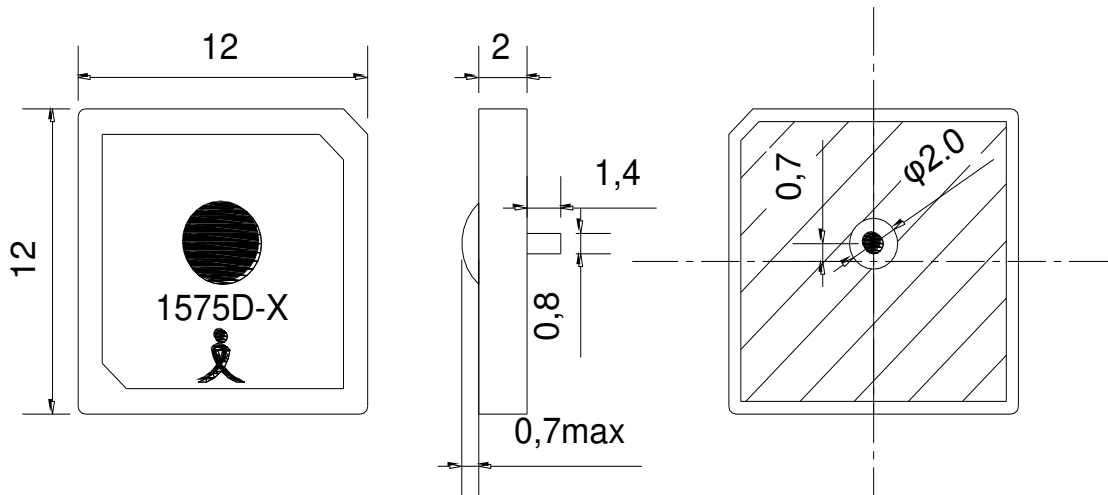
- High gain , Compact
- Pin type
- Customization available

### Electrical Specification

Center Frequency	1575 ± 3.0 MHz
Return Loss @ F0	≥15 dB
Bandwidth @ 10dB Return loss	≥5
Polarization	RHCP
Gain @ Zenith	-5.0 dBi typ.
Ground plane	配机
Impedance	50 Ω
Frequency Temperature Coefficient	±20 ppm/°C
Operation Temperature Range	-40 ~ +85°C



### Mechanical Drawing



Tolerance: ±0.30  
Unit: mm

# Preliminary Specification



Patch Antenna  
JLT1575S12P2D



Test Fixture

Characteristic

