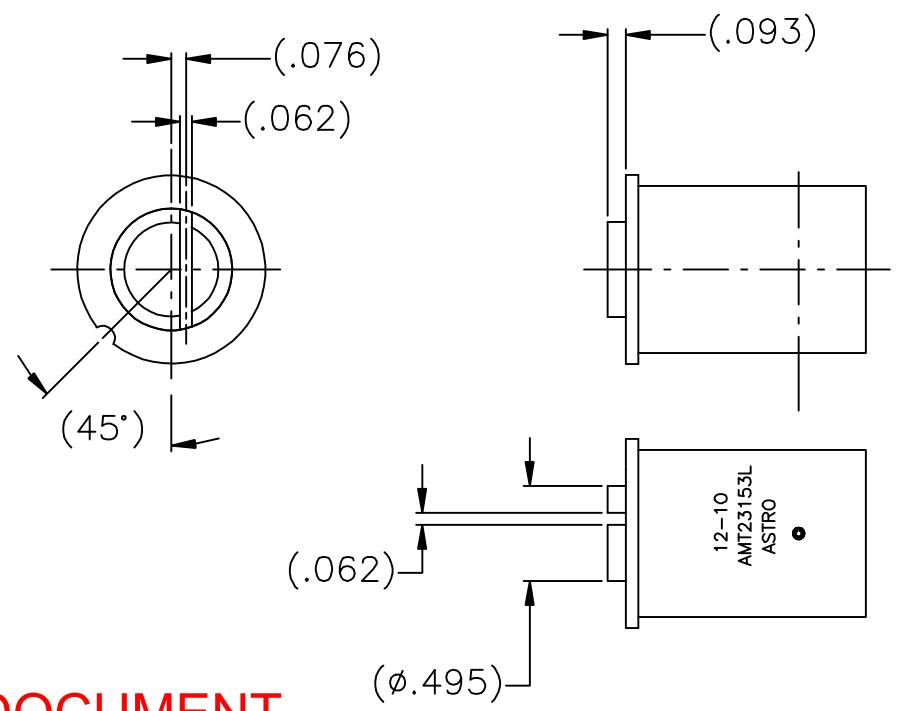


AMT23153L-ENV


REF: USE WITH AMT23154DA FOR 12 GAGE WIRE
 USE WITH AMT23152DA FOR 10 GAGE WIRE



UNCONTROLLED DOCUMENT
WILL NOT BE UPDATED

2. MAT'L: REF: ALUM.

NOTES: 1. THIS IS AN AUTOCAD DRAWING, DO NOT CHANGE MANUALLY.

				THESE DRAWINGS, SPECIFICATIONS OR OTHER DATA ARE AND REMAIN, THE PROPERTY OF ASTRO TOOL CORP. AND MUST BE RETURNED UPON REQUEST. THEY CONTAIN INFORMATION OWNED AND/OR DEVELOPED BY ASTRO AT ITS OWN PRIVATE EXPENSE AND MAY NOT BE USED, DUPLICATED OR DISCLOSED TO OTHERS, IN WHOLE OR IN PART FOR DESIGN, MANUFACTURE OR PROCUREMENT WITHOUT THE WRITTEN PERMISSION OF ASTRO TOOL CORP. EACH AND EVERY TIME.	SCALE: N.T.S. DWN BY: DY0 DATE: 12-18-13 APPROVED:	UNLESS OTHERWISE SPECIFIED: DECIMALS: .XXX ± .005 .XX ± .010 .X ± .030 ANGLES: ± 1°	 21615 S.W. TUALATIN VALLEY HWY., BEAVERTON OR 97006 CAGE 58164
A	NEW RELEASE.	DY0	12-18-13	MMK			DESCRIPTION: ENVELOPE DRAWING: AMT23153L LOCATOR, 12-10 GAGE PART NO. A AMT23153L-ENV
REV.	DESCRIPTION	BY	DATE	APR.			