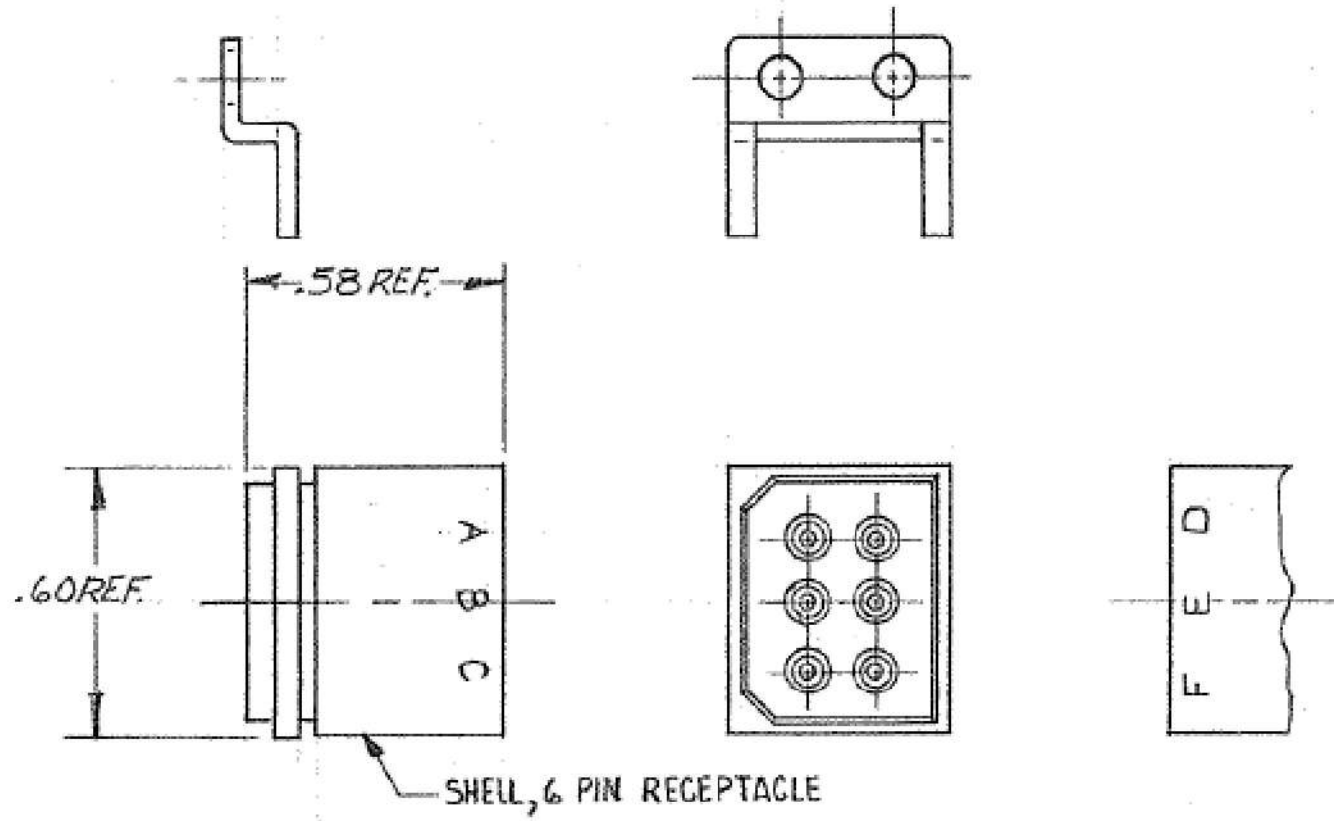
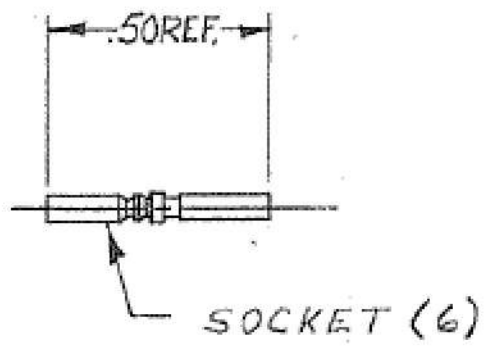
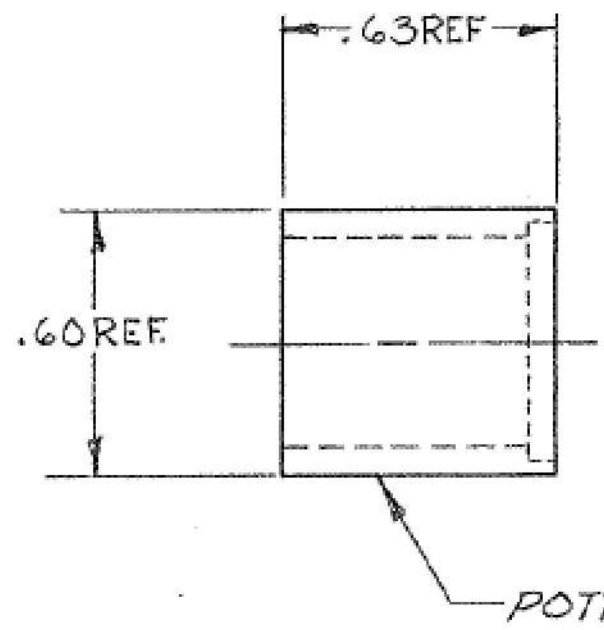
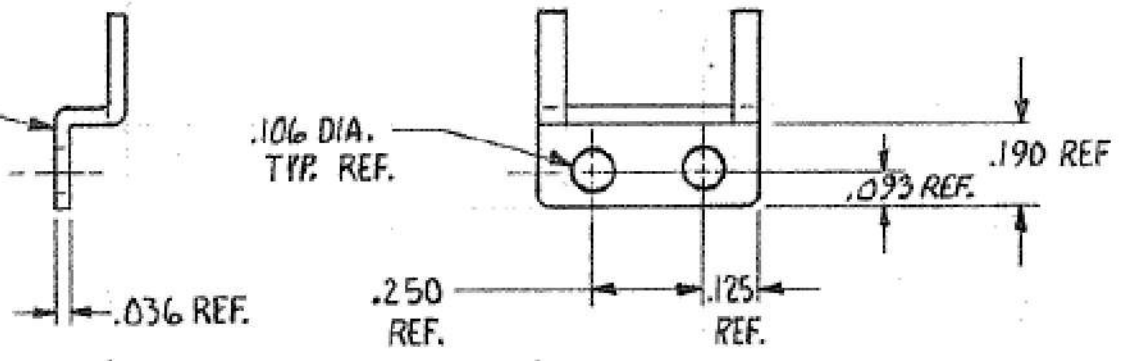


THIS DRAWING IS UNPUBLISHED. RELEASED FOR PUBLICATION
 © COPYRIGHT - By - ALL RIGHTS RESERVED.

LOC		DIST		REVISIONS		
P	LTR	DESCRIPTION	DATE	DWN	APVD	
	E	ECO-14-006390	12AUG2014	MGM	CT	



MOUNTING BRACKET
 TYP. (2)
 USED ONLY FOR -2 & 5-2



PART NO.	DESCRIPTION
5-861393-2	WITH MOUNTING BRACKETS TIN PLATED PER ASTM-B-545
861393-2	WITH MOUNTING BRACKETS 93/7 TIN-LEAD PLATED
861393-1	W/O MOUNTING BRACKETS

NOTE:
 1) CAVITY LETTERS MARKED
 2) SEE 862091-1 FOR ASSEMBLY INSTRUCTIONS.

THIS DRAWING IS A CONTROLLED DOCUMENT.		DWN C. KUSTER 05AUG1974	TE Connectivity														
DIMENSIONS: INCHES		CHK C. KUSTER 05AUG1974															
TOLERANCES UNLESS OTHERWISE SPECIFIED:		APVD -	NAME -														
<table border="1"> <tr><td>0 PLC</td><td>± -</td></tr> <tr><td>1 PLC</td><td>± -</td></tr> <tr><td>2 PLC</td><td>± -</td></tr> <tr><td>3 PLC</td><td>± -</td></tr> <tr><td>4 PLC</td><td>± -</td></tr> <tr><td>ANGLES</td><td>± -</td></tr> </table>		0 PLC	± -	1 PLC	± -	2 PLC	± -	3 PLC	± -	4 PLC	± -	ANGLES	± -	PRODUCT SPEC -	RECEPTACLE ASSY KIT, LGH		
0 PLC	± -																
1 PLC	± -																
2 PLC	± -																
3 PLC	± -																
4 PLC	± -																
ANGLES	± -																
MATERIAL -		FINISH -	APPLICATION SPEC -	SIZE A3	CAGE CODE 00779	DRAWING NO C-861393	RESTRICTED TO -										
CUSTOMER DRAWING			WEIGHT -	SCALE 1:1	SHEET 1 OF 1	REV E											