

THIS DRAWING IS UNPUBLISHED.
 © COPYRIGHT BY TYCO ELECTRONICS CORPORATION. ALL RIGHTS RESERVED.

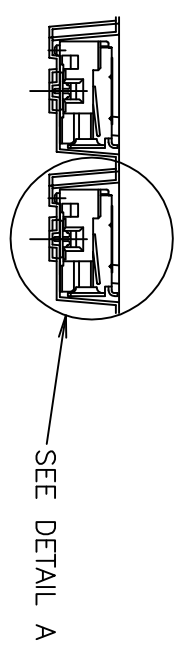
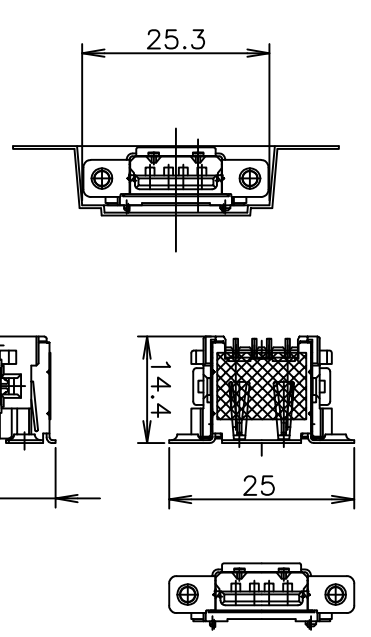
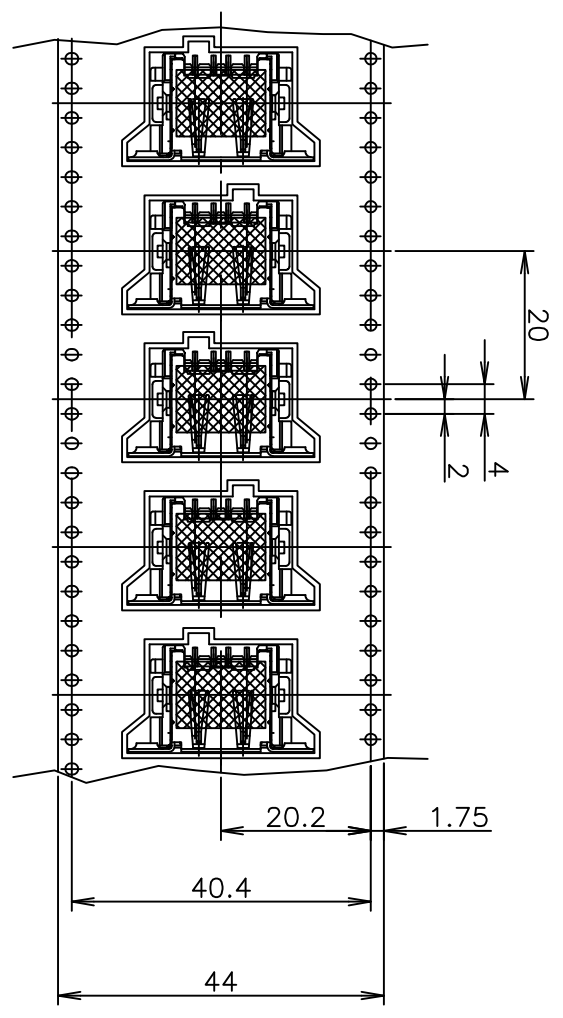
RELEASED FOR PUBLICATION

Loc J
 DIST -

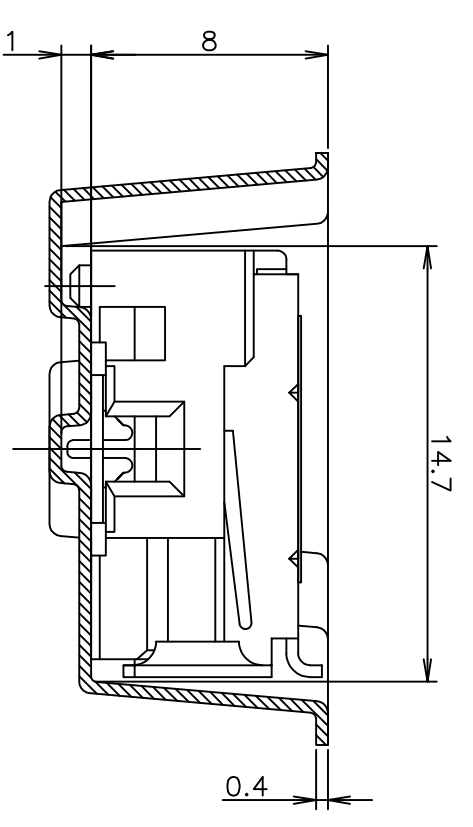
REVISIONS

P	LTR	DESCRIPTION	DATE	DWN	APVD
A		RELEASED ECR-07-023898	09OCT07	T.Z	S.Y

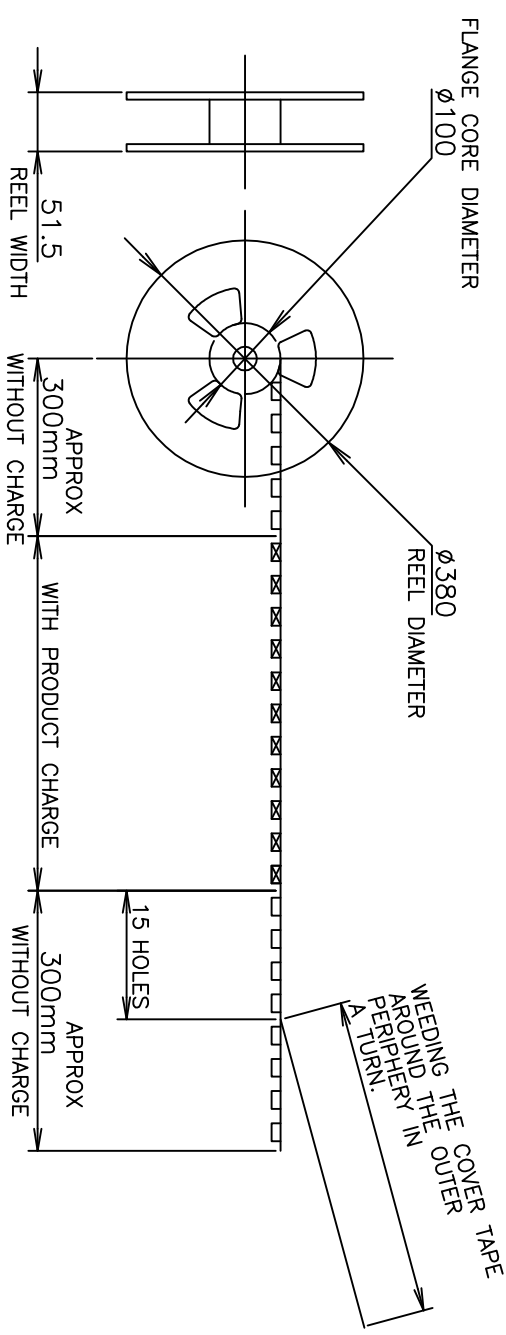
DIRECTION OFF TOP OF REEL



CONNECTOR DETAIL

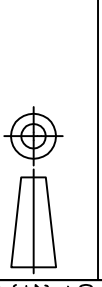


DETAIL A
 (SCALE 4:1)



THIS DRAWING IS A CONTROLLED DOCUMENT.

DIMENSIONS:	TOLERANCES UNLESS OTHERWISE SPECIFIED:
mm	± 0.3
0 PLC	± 0.3
1 PLC	± 0.3
2 PLC	± 0.3
3 PLC	± 0.3
4 PLC	± 0.3
ANGLES	± 5°



MATERIAL

BLACK	WHITE	HOUSING COLOR	QTY	POS	EMBOSS P/N	PART NO.
350	350		4	1-912070-8	5353928-2	
			4	1-912070-8	5353928-1	

DWN G. ZHANG 24MAR06
 CHK S. YAO 24MAR06
 APVD J. QU 24MAR06
 PRODUCT SPEC
 APPLICATION SPEC
 WEIGHT
 CUSTOMER DRAWING

NAME Tyco Electronics
 Tyco Electronics AMP K.K.
 Kawasaki, Japan
 EMBOSS ASSY
 REVERSE TYPE USB CONN. REC.
 WITH COVER TYPE

SIZE A3
 CAGE CODE 00779
 DRAWING NO. 5353928
 RESTRICTED TO

SCALE 1:1 SHEET 1 OF 2 REV A

