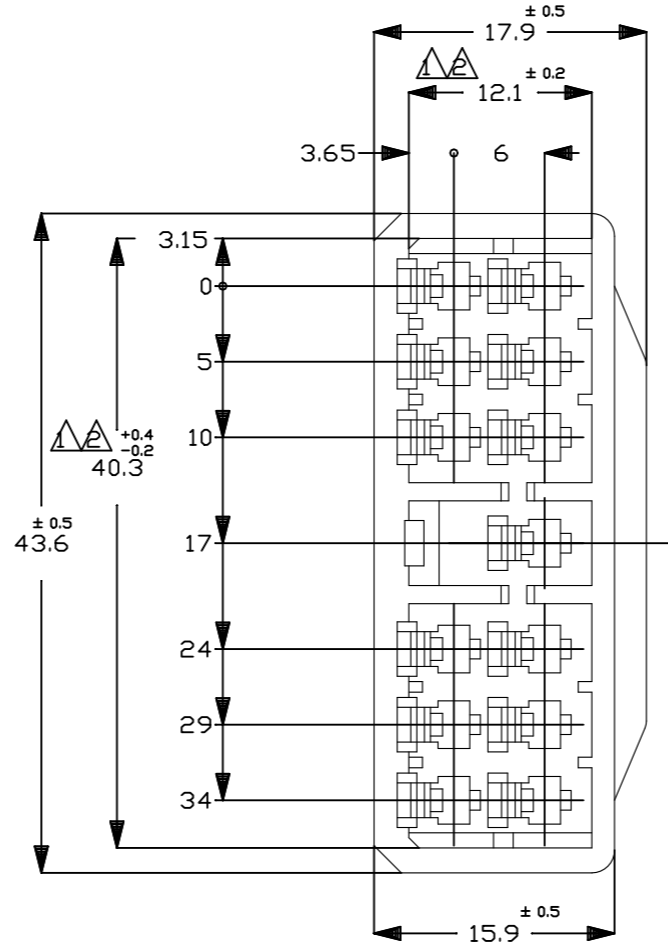
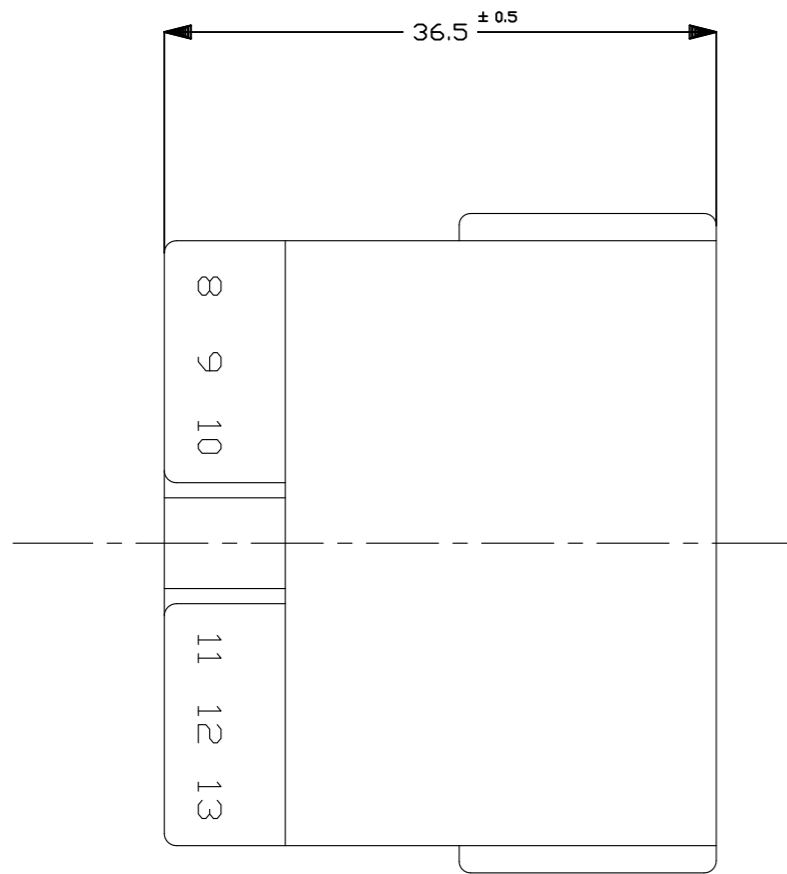


P	LTR	DESCRIPTION	DATE	DWN	APVD
	A1	REVISED PER ECR-23-165252	30JAN2023	RK	MT

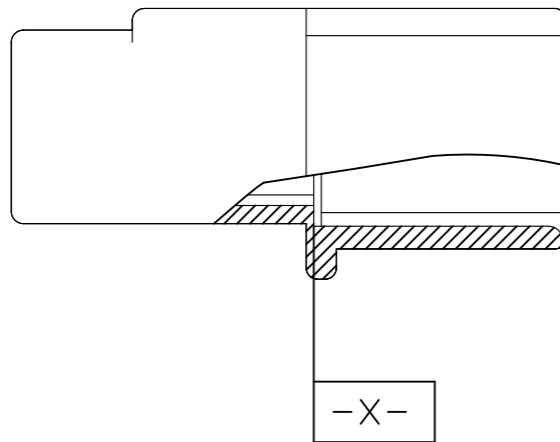


NOTES;

- △ TO BE MEASURED WITH IN 2mm FROM -A-
- △ IN COUPLING WITH THE PLUG HOUSING MATING SATISFIES FUNCTION
- 3 APPLIED CONTACT P/N 172777,172779
- 4 PRODUCT SPEC No. 108-5166
- 5 IN COUPLING WITH THE PLUG HOUSING MATING FORCE 29.4N<3Kgf>MAX. WITHOUT REC CONTACT

注；

- △ -A- 面より2mmの範囲で測定
- △ 相手ハウジングと所定の機能を満たして嵌合できること
- 3 内装するタブコンタクト型番 172777, 172779他
- 4 製品規格 NO.108-5166
- 5 相手ハウジングとの嵌合力は29.4N<3Kgf>以下
但しタブコンタクトは含まない



OBSOLETE	172508-7	黄<YELLOW>
OBSOLETE	172508-6	灰<GRAY>
OBSOLETE	172508-5	青<BLUE>
OBSOLETE	172508-4	緑<GREEN>
OBSOLETE	172508-3	茶<BRWN>
	172508-2	黒<BLACK>
	172508-1	自然色<NATURAL>
	番号<PN>	色<COLOR>

THIS DRAWING IS A CONTROLLED DOCUMENT.		DWN K.YUASA 10/12'92	TE Connectivity 13 Pos. CAP HOUSING MULTI-INTERLOCK CONN. (MIC-MKII)				
DIMENSIONS: mm		CHK A.TOMITA 10/12'92					
TOLERANCES UNLESS OTHERWISE SPECIFIED:		APVD A.TOMITA 10/12'92					
0 PLC ± - 1 PLC ± - 2 PLC ± - 3 PLC ± - 4 PLC ± - ANGLES ± -		PRODUCT SPEC -					
MATERIAL (NYLON)		FINISH -	APPLICATION SPEC -	SIZE A3	CAGE CODE 00779	DRAWING NO C-172508	RESTRICTED TO -
CUSTOMER DRAWING			WEIGHT -	SCALE 2:1	SHEET 1 OF 1	REV A1	