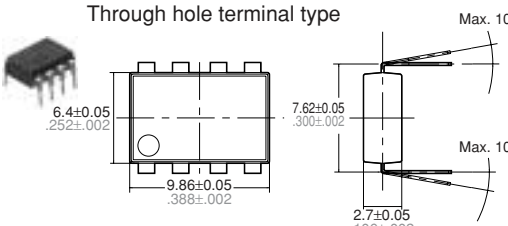
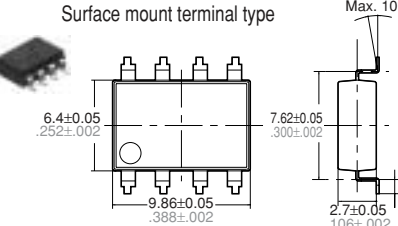
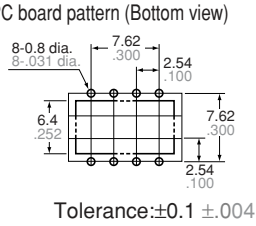
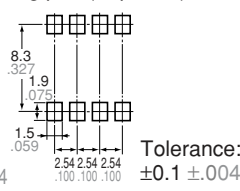
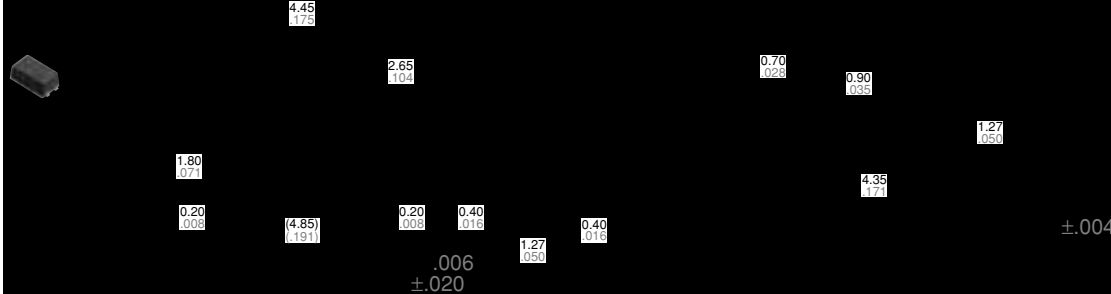
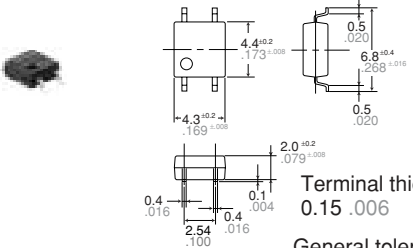
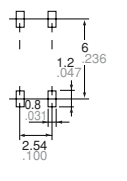
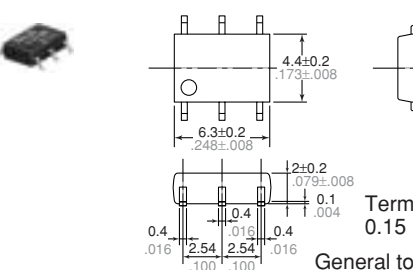
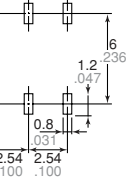
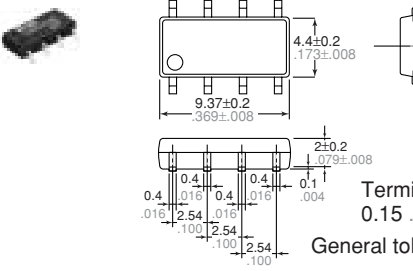
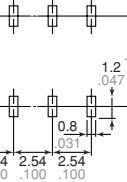
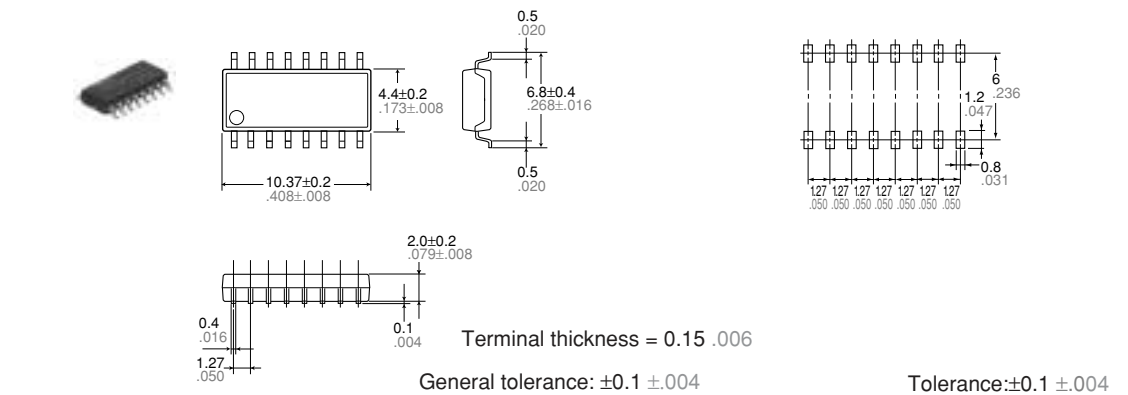
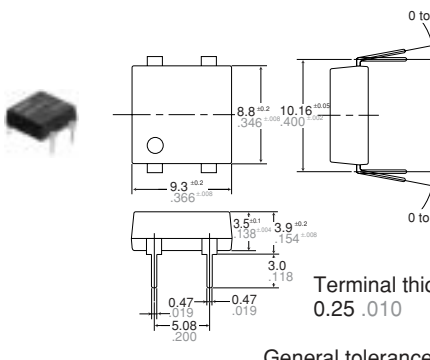
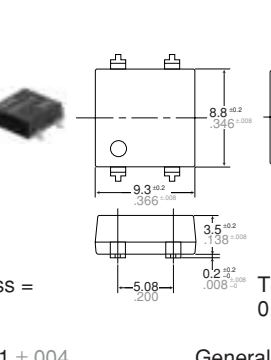
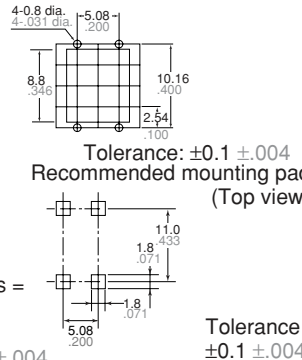
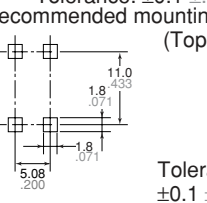
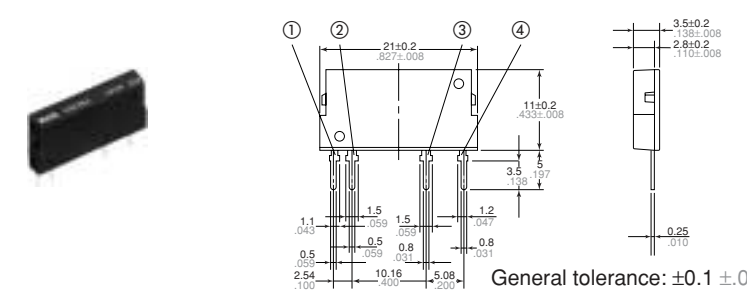
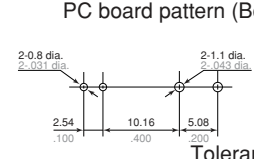
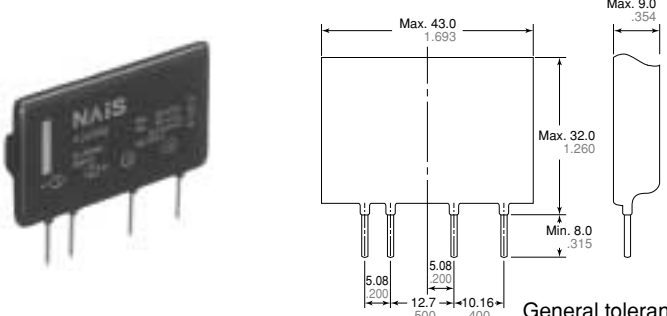
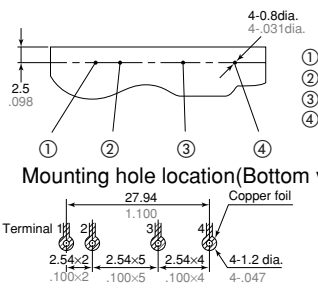


PhotoMOS Relay Dimensions

mm inch

Type	Dimensions		
AQY21 AQY41 Series	<p>Through hole terminal type</p> <p>Max. 10°</p> <p>6.4±0.05 .252±.002</p> <p>7.62±0.05 .300±.002</p> <p>4.78±0.05 .188±.002</p> <p>2.7±0.05 .106±.002</p> <p>Terminal thickness = 0.2 .008</p> <p>General tolerance: ±0.1 ±.004</p>	<p>Surface mount terminal type</p> <p>Max. 10°</p> <p>6.4±0.05 .252±.002</p> <p>7.62±0.05 .300±.002</p> <p>4.78±0.05 .188±.002</p> <p>2.7±0.05 .106±.002</p> <p>1.0 .039</p> <p>Terminal thickness = 0.2 .008</p> <p>General tolerance: ±0.1 ±.004</p>	<p>PC board pattern (Bottom view)</p> <p>4-0.8 dia. 4-.031 dia.</p> <p>2.54 .100</p> <p>6.4 .252</p> <p>7.62 .300</p> <p>2.54 .100</p> <p>Tolerance: ±0.1 ±.004</p> <p>Mounting pad (Top view)</p> <p>8.3 .327</p> <p>1.9 .075</p> <p>1.5 .059</p> <p>2.54 .100</p> <p>2.54 .100</p> <p>Tolerance: ±0.1 ±.004</p>
AQV10 AQV20 AQV21 AQV22 AQV23 AQV25 AQV41 AQV45 Series	<p>Through hole terminal type</p> <p>Max. 10°</p> <p>6.4±0.05 .252±.002</p> <p>7.62±0.05 .300±.002</p> <p>8.8±0.05 .346±.002</p> <p>3.4 .134</p> <p>3.9±0.2 .154±.008</p> <p>3 .118</p> <p>0.47 .019</p> <p>0.47 .019</p> <p>0.47 .019</p> <p>1.25 .049</p> <p>1.25 .049</p> <p>1.25 .049</p> <p>2.54 .100</p> <p>2.54 .100</p> <p>Terminal thickness = 0.25 .010</p> <p>General tolerance: ±0.1 ±.004</p>	<p>Surface mount terminal type</p> <p>Max. 10°</p> <p>6.4±0.05 .252±.002</p> <p>7.6 .299</p> <p>8.8±0.05 .346±.002</p> <p>3.4 .134</p> <p>1 .039</p> <p>3.4 .134</p> <p>0.2±.008 .008±.002</p> <p>0.47 .019</p> <p>0.47 .019</p> <p>1.25 .049</p> <p>1.25 .049</p> <p>1.25 .049</p> <p>2.54 .100</p> <p>2.54 .100</p> <p>Terminal thickness = 0.25 .010</p> <p>General tolerance: ±0.1 ±.004</p>	<p>PC board pattern (Bottom view)</p> <p>6-0.8 dia. 6-.031 dia.</p> <p>5.08 .200</p> <p>2.54 .100</p> <p>6.4 .252</p> <p>7.62 .300</p> <p>2.54 .100</p> <p>7.62 .300</p> <p>Tolerance: ±0.1 ±.004</p> <p>Recommended mounting pad (Top view)</p> <p>8.3 .327</p> <p>1.9 .075</p> <p>1.5 .059</p> <p>2.54 .100</p> <p>2.54 .100</p> <p>2.54 .100</p> <p>Tolerance: ±0.1 ±.004</p>
APV1122 Series	<p>Through hole terminal type</p> <p>Max. 10°</p> <p>6.4±0.05 .252±.002</p> <p>7.62±0.05 .300±.002</p> <p>8.8±0.05 .346±.002</p> <p>3.4 .134</p> <p>3.9±0.2 .154±.008</p> <p>3 .118</p> <p>0.47 .019</p> <p>0.47 .019</p> <p>0.47 .019</p> <p>1.25 .049</p> <p>1.25 .049</p> <p>1.25 .049</p> <p>2.54 .100</p> <p>2.54 .100</p> <p>Terminal thickness = 0.25 .010</p> <p>General tolerance: ±0.1 ±.004</p>	<p>Surface mount terminal type</p> <p>Max. 10°</p> <p>6.4±0.05 .252±.002</p> <p>7.6 .299</p> <p>8.8±0.05 .346±.002</p> <p>3.4 .134</p> <p>1 .039</p> <p>3.4 .134</p> <p>0.2±.008 .008±.002</p> <p>0.47 .019</p> <p>0.47 .019</p> <p>1.25 .049</p> <p>1.25 .049</p> <p>1.25 .049</p> <p>2.54 .100</p> <p>2.54 .100</p> <p>Terminal thickness = 0.25 .010</p> <p>General tolerance: ±0.1 ±.004</p>	<p>PC board pattern (Bottom view)</p> <p>6-0.8 dia. 6-.031 dia.</p> <p>5.08 .200</p> <p>2.54 .100</p> <p>6.4 .252</p> <p>7.62 .300</p> <p>2.54 .100</p> <p>7.62 .300</p> <p>Tolerance: ±0.1 ±.004</p> <p>Recommended mounting pad (Top view)</p> <p>8.3 .327</p> <p>1.9 .075</p> <p>1.5 .059</p> <p>2.54 .100</p> <p>2.54 .100</p> <p>2.54 .100</p> <p>Tolerance: ±0.1 ±.004</p>
AQW21 AQW22 AQW25 AQW41 AQW45 AQW61 AQW65 Series	<p>Through hole terminal type</p> <p>Max. 10°</p> <p>6.4 .252</p> <p>7.62 .300</p> <p>9.78 .385</p> <p>3.4 .134</p> <p>3.9±0.2 .154±.008</p> <p>3 .118</p> <p>0.47 .019</p> <p>0.47 .019</p> <p>0.47 .019</p> <p>1.25 .049</p> <p>1.25 .049</p> <p>1.25 .049</p> <p>2.54 .100</p> <p>2.54 .100</p> <p>2.54 .100</p> <p>Terminal thickness = 0.25 .010</p> <p>General tolerance: ±0.1 ±.004</p>	<p>Surface mount terminal type</p> <p>Max. 10°</p> <p>6.4 .252</p> <p>7.62 .300</p> <p>9.78 .385</p> <p>3.4 .134</p> <p>1 .039</p> <p>3.4 .134</p> <p>0.2±.008 .008±.002</p> <p>0.47 .019</p> <p>0.47 .019</p> <p>1.25 .049</p> <p>1.25 .049</p> <p>1.25 .049</p> <p>2.54 .100</p> <p>2.54 .100</p> <p>2.54 .100</p> <p>Terminal thickness = 0.25 .010</p> <p>General tolerance: ±0.1 ±.004</p>	<p>PC board pattern (Bottom view)</p> <p>8-0.8 dia. 8-.031 dia.</p> <p>7.62 .300</p> <p>2.54 .100</p> <p>6.4 .252</p> <p>7.62 .300</p> <p>2.54 .100</p> <p>7.62 .300</p> <p>Tolerance: ±0.1 ±.004</p> <p>Recommended mounting pad (Top view)</p> <p>8.3 .327</p> <p>1.9 .075</p> <p>1.5 .059</p> <p>2.54 .100</p> <p>2.54 .100</p> <p>2.54 .100</p> <p>Tolerance: ±0.1 ±.004</p>

Type	Dimensions		
<p>AQW21OEHL AQW21OHL AQW41OEHL AQW61OEHL Series</p>	<p>Through hole terminal type</p>  <p>Terminal thickness = 0.2 .008 General tolerance: ±0.1 ±.004</p>	<p>Surface mount terminal type</p>  <p>Terminal thickness = 0.2 .008 General tolerance: ±0.1 ±.004</p>	<p>PC board pattern (Bottom view)</p>  <p>Tolerance: ±0.1 ±.004</p> <p>Mounting pad (Top view)</p>  <p>Tolerance: ±0.1 ±.004</p>
<p>APV21 (SSOP) AQY22 (SSOP) Series</p>	 <p>±.004</p>		
<p>APV21(SOP) APV11(SOP) AQY21(SOP) AQY22(SOP) AQY41(SOP) Series</p>	 <p>Terminal thickness = 0.15 .006 General tolerance: ±0.1 ±.004</p> <p>Recommended mounting pad (Top view)</p>  <p>Tolerance: ±0.1 ±.004</p>		
<p>AQV21(SOP) AQV22(SOP) AQV41(SOP) Series</p>	 <p>Terminal thickness = 0.15 .006 General tolerance: ±0.1 ±.004</p> <p>Recommended mounting pad (Top view)</p>  <p>Tolerance: ±0.1 ±.004</p>		
<p>AQW21(SOP) AQW61(SOP) Series</p>	 <p>Terminal thickness = 0.15 .006 General tolerance: ±0.1 ±.004</p> <p>Recommended mounting pad (Top view)</p>  <p>Tolerance: ±0.1 ±.004</p>		

Type	Dimensions	
<p>AQS22(SOP) Series</p>	<p style="text-align: right;">Recommended mounting pad (Top view)</p>  <p>Terminal thickness = 0.15 .006 General tolerance: $\pm 0.1 \pm .004$ Tolerance: $\pm 0.1 \pm .004$</p>	
<p>AQY27 Series</p>	<p>Through hole terminal type</p>  <p>Terminal thickness = 0.25 .010 General tolerance: $\pm 0.1 \pm .004$</p>	<p>Surface mount terminal type</p>  <p>Terminal thickness = 0.25 .010 General tolerance: $\pm 0.1 \pm .004$</p> <p>PC board pattern (Bottom view)</p>  <p>Recommended mounting pad (Top view)</p>  <p>Tolerance: $\pm 0.1 \pm .004$ Tolerance: $\pm 0.1 \pm .004$</p>
<p>AQZ10 AQZ20 AQZ40 Series</p>	 <p>General tolerance: $\pm 0.1 \pm .004$</p> <p>PC board pattern (Bottom view)</p>  <p>Tolerance: $\pm 0.1 \pm .004$</p> <p>AC/DC type</p> <ul style="list-style-type: none"> ① Input: DC- ② Input: DC+ ③ Output: DC or AC ④ Output: DC or AC <p>DC type</p> <ul style="list-style-type: none"> ① Input: DC- ② Input: DC+ ③ Output: DC- ④ Output: DC+ 	
<p>AQZ26 Series</p>	 <p>General tolerance $\pm 0.5 \pm .020$</p> <p>Mounting hole location (Bottom view)</p>  <p>Pitch tolerance: $\pm 0.1 \pm .004$</p> <ul style="list-style-type: none"> ① Input: DC - ② Input: DC + ③ Output : AC or DC ④ Output : AC or DC 	