

DIN-Rail Receptacle

DRAC DP 15

DRAC GF 15

DRAC DP 20

DRAC GF 20

NEW



DIN-Rail receptacles are enclosed 15A and 20A power outlets that provide a convenient power source for portable computers or test devices for in-the-panel troubleshooting.

- Easily snaps onto 35mm DIN-rail
- Panel mountable
- 15A or 20A versions
- Easy to wire
- Available with ground fault current interrupt (GFCI) or standard duplex outlets
- Option for visual indication of power included with GFCI
- NEMA rated enclosure with UL94 VO flammability rating
- UL508A and cULus approved

Canada

Weidmuller, Canada
10 Spy Court
Markham, Ontario L3R 5H6
Telephone: (800) 268-4080
Facsimile: (905) 475-2798
Email: info1@weidmuller.ca
Website: www.weidmuller.ca

Mexico

Weidmuller, Mexico
Blvd. Hermanos Serdán 698
Col. San Rafael Oriente
Puebla, Puebla, Mexico
C.P. 72029
Telephone: 01 222 2686267
Facsimile: 01 222 2686219
Email: clientes@weidmuller.com.mx
Website: www.weidmuller.com.mx

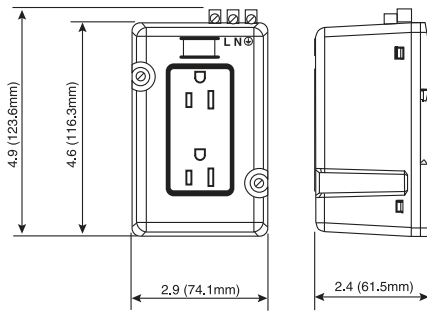
United States

Weidmuller
821 Southlake Blvd.
Richmond, Virginia 23236
Telephone: (800) 849-9343
Facsimile: (804) 379-2593
Email: info@weidmuller.com
Website: www.weidmuller.com

Weidmüller 

DIN-Rail Receptacle

Dimensional Drawing



15 Amp Duplex



15 Amp GFCI



Technical data

| | 15 Amp Duplex | 15 Amp GFCI |
|-------------------------------|---|---|
| Voltage | 125 VAC | 125 VAC |
| Current | 15A | 15A |
| Operating Frequency | 50 - 60 Hz | 50 - 60 Hz |
| Dielectric Voltage | Withstands 2000V per UL498 | Withstands 1500V per UL498 |
| Current Interrupting | Full rated current | 10 kA |
| Trip Level | N/A | 5±1 mA |
| Termination Wire Size | #20 - #10 AWG solid or stranded | #20 - #10 AWG solid or stranded |
| Terminal Torque | 7 lb.-in. (.79 Nm) | 7 lb.-in. (.79 Nm) |
| Temperature: | | |
| Operating | -35°C to 60°C | -35°C to 60°C |
| Storage | -25°C to 80°C | -25°C to 80°C |
| Material Listing | | |
| Enclosure Cover, Flammibility | PBT/polycarbonate blend, UL94 rating V0 @ .63mm | PBT/polycarbonate blend, UL94 rating V0 @ .63mm |
| Enclosure Base, Flammibility | Polyamide 6/6 30% GF, UL94 rating V0 @ .63mm | Polyamide 6/6 30% GF, UL94 rating V0 @ .63mm |
| Spring | Stainless Steel | Stainless Steel |

Approvals/Certifications

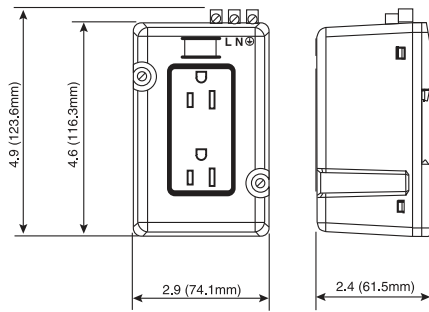
| | Description | Description |
|--|---------------------------|---------------------------|
| | TUL 508A (file # E223801) | TUL 508A (file # E223801) |
| | cULus | cULus |
| | UL498 | UL 943 |
| | NEMA WD-6 | NEMA WD-6 |
| | NEMA 5-15R | NEMA 5-15R |

Ordering data

| | Type | Part No. | Type | Part No. |
|--|------------|------------|------------|------------|
| | DRAC DP 15 | 6720005421 | DRAC GF 15 | 6720005422 |

DIN-Rail Receptacle

Dimensional Drawing



20 Amp Duplex



20 Amp GFCI



Technical data

| | 20 Amp Duplex | 20 Amp GFCI |
|-------------------------------|---|---|
| Voltage | 125 VAC | 125 VAC |
| Current | 20A | 20A |
| Operating Frequency | 50 - 60 Hz | 50 - 60 Hz |
| Dielectric Voltage | Withstands 2000V per UL498 | Withstands 1500V per UL498 |
| Current Interrupting | Full rated current | 10 kA |
| Trip Level | N/A | 5±1 mA |
| Termination Wire Size | #20 - #10 AWG solid or stranded | #20 - #10 AWG solid or stranded |
| Terminal Torque | 7 lb.-in. (.79 Nm) | 7 lb.-in. (.79 Nm) |
| Temperature: | | |
| Operating | -35°C to 60°C | -35°C to 60°C |
| Storage | -25°C to 80°C | -25°C to 80°C |
| Material Listing | | |
| Enclosure Cover, Flammibility | PBT/polycarbonate blend, UL94 rating V0 @ .63mm | PBT/polycarbonate blend, UL94 rating V0 @ .63mm |
| Enclosure Base, Flammibility | Polyamide 6/6 30% GF, UL94 rating V0 @ .63mm | Polyamide 6/6 30% GF, UL94 rating V0 @ .63mm |
| Spring | Stainless Steel | Stainless Steel |

Approvals/Certifications

| Description | Description |
|---------------------------|---------------------------|
| TUL 508A (file # E223801) | TUL 508A (file # E223801) |
| cULus | cULus |
| UL498 | UL 943 |
| NEMA WD-6 | NEMA WD-6 |
| NEMA 5-15R | NEMA 5-15R |

Ordering data

| Type | Part No. | Type | Part No. |
|------------|------------|------------|------------|
| DRAC DP 20 | 6720005420 | DRAC GF 20 | 6720005423 |

