



Is Now Part of

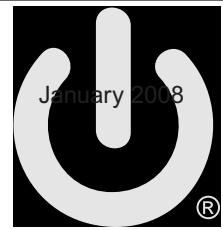


**ON Semiconductor®**

To learn more about ON Semiconductor, please visit our website at  
[www.onsemi.com](http://www.onsemi.com)

Please note: As part of the Fairchild Semiconductor integration, some of the Fairchild orderable part numbers will need to change in order to meet ON Semiconductor's system requirements. Since the ON Semiconductor product management systems do not have the ability to manage part nomenclature that utilizes an underscore (\_), the underscore (\_) in the Fairchild part numbers will be changed to a dash (-). This document may contain device numbers with an underscore (\_). Please check the ON Semiconductor website to verify the updated device numbers. The most current and up-to-date ordering information can be found at [www.onsemi.com](http://www.onsemi.com). Please email any questions regarding the system integration to [Fairchild\\_questions@onsemi.com](mailto:Fairchild_questions@onsemi.com).

ON Semiconductor and the ON Semiconductor logo are trademarks of Semiconductor Components Industries, LLC dba ON Semiconductor or its subsidiaries in the United States and/or other countries. ON Semiconductor owns the rights to a number of patents, trademarks, copyrights, trade secrets, and other intellectual property. A listing of ON Semiconductor's product/patent coverage may be accessed at [www.onsemi.com/site/pdf/Patent-Marking.pdf](http://www.onsemi.com/site/pdf/Patent-Marking.pdf). ON Semiconductor reserves the right to make changes without further notice to any products herein. ON Semiconductor makes no warranty, representation or guarantee regarding the suitability of its products for any particular purpose, nor does ON Semiconductor assume any liability arising out of the application or use of any product or circuit, and specifically disclaims any and all liability, including without limitation special, consequential or incidental damages. Buyer is responsible for its products and applications using ON Semiconductor products, including compliance with all laws, regulations and safety requirements or standards, regardless of any support or applications information provided by ON Semiconductor. "Typical" parameters which may be provided in ON Semiconductor data sheets and/or specifications can and do vary in different applications and actual performance may vary over time. All operating parameters, including "Typicals" must be validated for each customer application by customer's technical experts. ON Semiconductor does not convey any license under its patent rights nor the rights of others. ON Semiconductor products are not designed, intended, or authorized for use as a critical component in life support systems or any FDA Class 3 medical devices or medical devices with a same or similar classification in a foreign jurisdiction or any devices intended for implantation in the human body. Should Buyer purchase or use ON Semiconductor products for any such unintended or unauthorized application, Buyer shall indemnify and hold ON Semiconductor and its officers, employees, subsidiaries, affiliates, and distributors harmless against all claims, costs, damages, and expenses, and reasonable attorney fees arising out of, directly or indirectly, any claim of personal injury or death associated with such unintended or unauthorized use, even if such claim alleges that ON Semiconductor was negligent regarding the design or manufacture of the part. ON Semiconductor is an Equal Opportunity/Affirmative Action Employer. This literature is subject to all applicable copyright laws and is not for resale in any manner.



# 74AC541, 74ACT541

## Octal Buffer/Line Driver with 3-STATE Outputs

### Features

- $I_{CC}$  and  $I_{OZ}$  reduced by 50%
- 3-STATE outputs
- Inputs and outputs opposite side of package, allowing easier interface to microprocessors
- Output source/sink 24mA
- 74AC541 is a non-inverting option of the 74AC540
- 74ACT541 has TTL-compatible inputs

### General Description

The 74AC541 and 74ACT541 are octal buffer/line drivers designed to be employed as memory and address drivers, clock drivers and bus oriented transmitter/receivers.

These devices are similar in function to the 74AC244 and 74ACTC244 while providing flow-through architecture (inputs on opposite side from outputs). This pinout arrangement makes these devices especially useful as an output port for microprocessors, allowing ease of layout and greater PC board density.

### Ordering Information

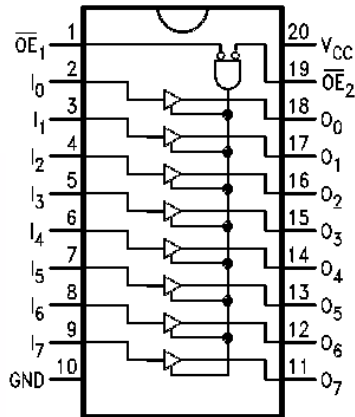
| Order Number | Package Number | Package Description   |
|--------------|----------------|---|
| 74AC541SC    | M20B           | 20-Lead Small Outline Integrated Circuit (SOIC), JEDEC MS-013, 0.300" Wide  |
| 74AC541SJ    | M20D           | 20-Lead Small Outline Package (SOP), EIAJ TYPE II, 5.3mm Wide               |
| 74AC541MTC   | MTC20          | 20-Lead Thin Shrink Small Outline Package (TSSOP), JEDEC MO-153, 4.4mm Wide |
| 74AC541PC    | N20A           | 20-Lead Plastic Dual-In-Line Package (PDIP), JEDEC MS-001, 0.300" Wide      |
| 74ACT541SC   | M20B           | 20-Lead Small Outline Integrated Circuit (SOIC), JEDEC MS-013, 0.300" Wide  |
| 74ACT541MTC  | MTC20          | 20-Lead Thin Shrink Small Outline Package (TSSOP), JEDEC MO-153, 4.4mm Wide |

Device also available in Tape and Reel. Specify by appending suffix letter "X" to the ordering number.

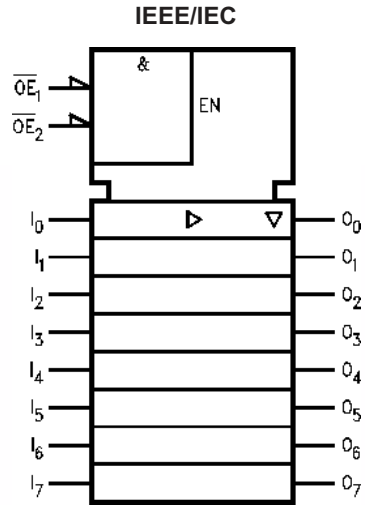


All packages are lead free per JEDEC: J-STD-020B standard.

Connection Diagram



Logic Symbol



Truth Table

| Inputs            |                   |   | Outputs |
|-------------------|-------------------|---|---------|
| $\overline{OE}_1$ | $\overline{OE}_2$ | I |         |
| L                 | L                 | H | H       |
| H                 | X                 | X | Z       |
| X                 | H                 | X | Z       |
| L                 | L                 | L | L       |

H = HIGH Voltage Level

X = Immaterial

L = LOW Voltage Level

Z = High Impedance

## Absolute Maximum Ratings

Stresses exceeding the absolute maximum ratings may damage the device. The device may not function or be operable above the recommended operating conditions and stressing the parts to these levels is not recommended. In addition, extended exposure to stresses above the recommended operating conditions may affect device reliability. The absolute maximum ratings are stress ratings only.

| Symbol                | Parameter                                    | Rating                   |
|-----------------------|--|--------------------------|
| $V_{CC}$              | Supply Voltage                               | -0.5V to +7.0V           |
| $I_{IK}$              | DC Input Diode Current<br>$V_I = -0.5V$      | -20mA                    |
|                       | $V_I = V_{CC} + 0.5$                         | +20mA                    |
| $V_I$                 | DC Input Voltage                             | -0.5V to $V_{CC} + 0.5V$ |
| $I_{OK}$              | DC Output Diode Current<br>$V_O = -0.5V$     | -20mA                    |
|                       | $V_O = V_{CC} + 0.5V$                        | +20mA                    |
| $V_O$                 | DC Output Voltage                            | -0.5V to $V_{CC} + 0.5V$ |
| $I_O$                 | DC Output Source or Sink Current             | $\pm 50mA$               |
| $I_{CC}$ or $I_{GND}$ | DC $V_{CC}$ or Ground Current per Output Pin | $\pm 50mA$               |
| $T_{STG}$             | Storage Temperature                          | -65°C to +150°C          |
| $T_J$                 | Junction Temperature                         | 140°C                    |

## Recommended Operating Conditions

The Recommended Operating Conditions table defines the conditions for actual device operation. Recommended operating conditions are specified to ensure optimal performance to the datasheet specifications. Fairchild does not recommend exceeding them or designing to absolute maximum ratings.

| Symbol                | Parameter  | Rating         |
|-----------------------|--|----------------|
| $V_{CC}$              | Supply Voltage<br>AC   | 2.0V to 6.0V   |
|                       | ACT  | 4.5V to 5.5V   |
| $V_I$                 | Input Voltage  | 0V to $V_{CC}$ |
| $V_O$                 | Output Voltage   | 0V to $V_{CC}$ |
| $T_A$                 | Operating Temperature  | -40°C to +85°C |
| $\Delta V / \Delta t$ | Minimum Input Edge Rate, AC Devices:<br>$V_{IN}$ from 30% to 70% of $V_{CC}$ , $V_{CC}$ @ 3.3V, 4.5V, 5.5V | 125mV/ns       |
| $\Delta V / \Delta t$ | Minimum Input Edge Rate, ACT Devices:<br>$V_{IN}$ from 0.8V to 2.0V, $V_{CC}$ @ 4.5V, 5.5V                 | 125mV/ns       |

## DC Electrical Characteristics for AC

| Symbol                         | Parameter                                     | V <sub>CC</sub> (V) | Conditions   | T <sub>A</sub> = +25°C  |  | T <sub>A</sub> = -40°C to +85°C |      | Units |      |
|--------------------------------|---|---------------------|--|---|--|---------------------------------|------|-------|------|
|                                |   |                     |  | Typ.  | Guaranteed Limits  |                                 |      |       |      |
| V <sub>IH</sub>                | Minimum HIGH Level Input Voltage              | 3.0                 | V <sub>OUT</sub> = 0.1V or V <sub>CC</sub> - 0.1V  | 1.5   | 2.1  | 2.1                             |      | V     |      |
|                                |   | 4.5                 |  | 2.25  | 3.15   | 3.15                            |      |       |      |
|                                |   | 5.5                 |  | 2.75  | 3.85   | 3.85                            |      |       |      |
| V <sub>IL</sub>                | Maximum LOW Level Input Voltage               | 3.0                 | V <sub>OUT</sub> = 0.1V or V <sub>CC</sub> - 0.1V  | 1.5   | 0.9  | 0.9                             |      | V     |      |
|                                |   | 4.5                 |  | 2.25  | 1.35   | 1.35                            |      |       |      |
|                                |   | 5.5                 |  | 2.75  | 1.65   | 1.65                            |      |       |      |
| V <sub>OH</sub>                | Minimum HIGH Level Output Voltage             | 3.0                 | I <sub>OUT</sub> = -50μA   | 2.99  | 2.9  | 2.9                             |      | V     |      |
|                                |   | 4.5                 |  | 4.49  | 4.4  | 4.4                             |      |       |      |
|                                |   | 5.5                 |  | 5.49  | 5.4  | 5.4                             |      |       |      |
|                                |   | 3.0                 | V <sub>IN</sub> = V <sub>IL</sub> or V <sub>IH</sub> ,<br>I <sub>OH</sub> = -12mA  |   | 2.56   | 2.46                            |      |       |      |
|                                |   | 4.5                 |  | V <sub>IN</sub> = V <sub>IL</sub> or V <sub>IH</sub> ,<br>I <sub>OH</sub> = -24mA |  | 3.86                            | 3.76 |       |      |
|                                |   | 5.5                 |  |   | V <sub>IN</sub> = V <sub>IL</sub> or V <sub>IH</sub> ,<br>I <sub>OH</sub> = -24mA <sup>(1)</sup> |                                 | 4.86 |       | 4.76 |
| V <sub>OL</sub>                | Maximum LOW Level Output Voltage              | 3.0                 | I <sub>OUT</sub> = 50μA  | 0.002   |  | 0.1                             | 0.1  |       | V    |
|                                |   | 4.5                 |  | 0.001   | 0.1  | 0.1                             |      |       |      |
|                                |   | 5.5                 |  | 0.001   | 0.1  | 0.1                             |      |       |      |
|                                |   | 3.0                 | V <sub>IN</sub> = V <sub>IL</sub> or V <sub>IH</sub> ,<br>I <sub>OL</sub> = 12mA   |   | 0.36   | 0.44                            |      |       |      |
|                                |   | 4.5                 |  | V <sub>IN</sub> = V <sub>IL</sub> or V <sub>IH</sub> ,<br>I <sub>OL</sub> = 24mA  |  | 0.36                            | 0.44 |       |      |
|                                |   | 5.5                 |  |   | V <sub>IN</sub> = V <sub>IL</sub> or V <sub>IH</sub> ,<br>I <sub>OL</sub> = 24mA <sup>(1)</sup>  |                                 | 0.36 | 0.44  |      |
| I <sub>IN</sub> <sup>(2)</sup> | Maximum Input Leakage Current                 | 5.5                 | V <sub>I</sub> = V <sub>CC</sub> , GND   |   |  | ±0.1                            | ±1.0 | μA    |      |
| I <sub>OZ</sub>                | Maximum 3-STATE Leakage Current               | 5.5                 | V <sub>I</sub> (OE) = V <sub>IL</sub> , V <sub>IH</sub> ;<br>V <sub>I</sub> = V <sub>CC</sub> , GND;<br>V <sub>O</sub> = V <sub>CC</sub> , GND |   | ±0.25  | ±2.5                            |      | μA    |      |
| I <sub>OLD</sub>               | Minimum Dynamic Output Current <sup>(3)</sup> | 5.5                 | V <sub>OLD</sub> = 1.65V Max.  |   |  | 75                              |      | mA    |      |
| I <sub>OHD</sub>               |   | 5.5                 | V <sub>OHD</sub> = 3.85V Min.  |   |  | -75                             |      | mA    |      |
| I <sub>CC</sub> <sup>(2)</sup> | Maximum Quiescent Supply Current              | 5.5                 | V <sub>IN</sub> = V <sub>CC</sub> or GND   |   | 4.0  | 40.0                            |      | μA    |      |

**Notes:**

- All outputs loaded; thresholds on input associated with output under test.
- I<sub>IN</sub> and I<sub>CC</sub> @ 3.0V are guaranteed to be less than or equal to the respective limit @ 5.5V V<sub>CC</sub>.
- Maximum test duration 2.0ms, one output loaded at a time.

## DC Electrical Characteristics for ACT

| Symbol           | Parameter                                     | V <sub>CC</sub> (V) | Conditions  | T <sub>A</sub> = +25°C |                   | T <sub>A</sub> = -40°C to +85°C |  | Units |
|------------------|---|---------------------|---|------------------------|-------------------|---------------------------------|--|-------|
|                  |   |                     |   | Typ.                   | Guaranteed Limits |                                 |  |       |
| V <sub>IH</sub>  | Minimum HIGH Level Input Voltage              | 4.5                 | V <sub>OUT</sub> = 0.1V or V <sub>CC</sub> - 0.1V   | 1.5                    | 2.0               | 2.0                             |  | V     |
|                  |   | 5.5                 |   | 1.5                    | 2.0               | 2.0                             |  |       |
| V <sub>IL</sub>  | Maximum LOW Level Input Voltage               | 4.5                 | V <sub>OUT</sub> = 0.1V or V <sub>CC</sub> - 0.1V   | 1.5                    | 0.8               | 0.8                             |  | V     |
|                  |   | 5.5                 |   | 1.5                    | 0.8               | 0.8                             |  |       |
| V <sub>OH</sub>  | Minimum HIGH Level Output Voltage             | 4.5                 | I <sub>OUT</sub> = -50μA  | 4.49                   | 4.4               | 4.4                             |  | V     |
|                  |   | 5.5                 |   | 5.49                   | 5.4               | 5.4                             |  |       |
|                  |   | 4.5                 | V <sub>IN</sub> = V <sub>IL</sub> or V <sub>IH</sub> , I <sub>OH</sub> = -24mA                |                        | 3.86              | 3.76                            |  |       |
|                  |   | 5.5                 | V <sub>IN</sub> = V <sub>IL</sub> or V <sub>IH</sub> , I <sub>OH</sub> = -24mA <sup>(4)</sup> |                        | 4.86              | 4.76                            |  |       |
| V <sub>OL</sub>  | Maximum LOW Level Output Voltage              | 4.5                 | I <sub>OUT</sub> = 50μA   | 0.001                  | 0.1               | 0.1                             |  | V     |
|                  |   | 5.5                 |   | 0.001                  | 0.1               | 0.1                             |  |       |
|                  |   | 4.5                 | V <sub>IN</sub> = V <sub>IL</sub> or V <sub>IH</sub> , I <sub>OL</sub> = 24mA                 |                        | 0.36              | 0.44                            |  |       |
|                  |   | 5.5                 | V <sub>IN</sub> = V <sub>IL</sub> or V <sub>IH</sub> , I <sub>OL</sub> = 24mA <sup>(4)</sup>  |                        | 0.36              | 0.44                            |  |       |
| I <sub>IN</sub>  | Maximum Input Leakage Current                 | 5.5                 | V <sub>I</sub> = V <sub>CC</sub> , GND  |                        | ±0.1              | ±1.0                            |  | μA    |
| I <sub>OZ</sub>  | Maximum 3-STATE Leakage Current               | 5.5                 | V <sub>I</sub> = V <sub>IL</sub> , V <sub>IH</sub> ; V <sub>O</sub> = V <sub>CC</sub> , GND   |                        | ±0.25             | ±2.5                            |  | μA    |
| I <sub>CCT</sub> | Maximum I <sub>CC</sub> /Input                | 5.5                 | V <sub>I</sub> = V <sub>CC</sub> - 2.1V   | 0.6                    |                   | 1.5                             |  | mA    |
| I <sub>OLD</sub> | Minimum Dynamic Output Current <sup>(5)</sup> | 5.5                 | V <sub>OLD</sub> = 1.65V Max.   |                        |                   | 75                              |  | mA    |
| I <sub>OHD</sub> |   | 5.5                 | V <sub>OHD</sub> = 3.85V Min.   |                        |                   | -75                             |  | mA    |
| I <sub>CC</sub>  | Maximum Quiescent Supply Current              | 5.5                 | V <sub>IN</sub> = V <sub>CC</sub> or GND  |                        | 4.0               | 40.0                            |  | μA    |

**Notes:**

- All outputs loaded; thresholds on input associated with output under test.
- Maximum test duration 2.0ms, one output loaded at a time.

### AC Electrical Characteristics for AC

| Symbol           | Parameter                            | V <sub>CC</sub> (V) <sup>(6)</sup> | T <sub>A</sub> = +25°C,<br>C <sub>L</sub> = 50pF |      |      | T <sub>A</sub> = -40°C to +85°C,<br>C <sub>L</sub> = 50pF |      | Units |
|------------------|--------------------------------------|------------------------------------|--|------|------|---|------|-------|
|                  |                                      |                                    | Min.   | Typ. | Max. | Min.  | Max. |       |
| t <sub>PLH</sub> | Propagation Delay,<br>Data to Output | 3.3                                | 2.0  | 5.5  | 8.0  | 1.5   | 9.0  | ns    |
|                  |                                      | 5.0                                | 1.5  | 4.0  | 6.0  | 1.0   | 6.5  |       |
| t <sub>PHL</sub> | Propagation Delay,<br>Data to Output | 3.3                                | 2.0  | 5.5  | 8.0  | 1.5   | 8.5  | ns    |
|                  |                                      | 5.0                                | 1.5  | 4.0  | 6.0  | 1.0   | 6.5  |       |
| t <sub>PZH</sub> | Output Enable Time                   | 3.3                                | 3.0  | 8.0  | 11.5 | 3.0   | 12.5 | ns    |
|                  |                                      | 5.0                                | 2.0  | 6.0  | 8.5  | 1.5   | 9.5  |       |
| t <sub>PZL</sub> | Output Enable Time                   | 3.3                                | 2.5  | 7.0  | 10.0 | 2.5   | 11.5 | ns    |
|                  |                                      | 5.0                                | 1.5  | 5.5  | 7.5  | 1.0   | 8.5  |       |
| t <sub>PHZ</sub> | Output Disable Time                  | 3.3                                | 3.5  | 9.0  | 12.5 | 2.5   | 14.0 | ns    |
|                  |                                      | 5.0                                | 2.0  | 7.0  | 9.5  | 1.0   | 10.5 |       |
| t <sub>PLZ</sub> | Output Disable Time                  | 3.3                                | 2.5  | 6.5  | 9.5  | 2.0   | 10.5 | ns    |
|                  |                                      | 5.0                                | 2.0  | 5.5  | 7.5  | 1.0   | 8.5  |       |

**Note:**

6. Voltage range 3.3 is 3.3V ± 0.3V. Voltage range 5.0 is 5.0V ± 0.5V.

### AC Electrical Characteristics for ACT

| Symbol           | Parameter                            | V <sub>CC</sub> (V) <sup>(7)</sup> | T <sub>A</sub> = +25°C,<br>C <sub>L</sub> = 50pF |      |      | T <sub>A</sub> = -40°C to +85°C,<br>C <sub>L</sub> = 50pF |     | Units |
|------------------|--------------------------------------|------------------------------------|--|------|------|---|-----|-------|
|                  |                                      |                                    | Min.   | Typ. | Max. | Min   | Max |       |
| t <sub>PLH</sub> | Propagation Delay,<br>Data to Output | 5.0                                | 2.0  | 4.5  | 7.0  | 2.0   | 7.5 | ns    |
| t <sub>PHL</sub> |                                      |                                    | 2.0  | 5.5  | 7.0  | 2.0   | 7.5 |       |
| t <sub>PZH</sub> | Output Enable Time                   | 5.0                                | 2.0  | 5.0  | 9.0  | 2.0   | 9.5 | ns    |
| t <sub>PZL</sub> |                                      |                                    | 2.0  | 6.5  | 9.0  | 2.0   | 9.5 |       |
| t <sub>PHZ</sub> | Output Disable Time                  | 5.0                                | 1.5  | 5.5  | 7.5  | 1.5   | 8.0 | ns    |
| t <sub>PLZ</sub> |                                      |                                    | 1.5  | 5.5  | 7.5  | 1.5   | 8.0 |       |

**Note:**

7. Voltage range 5.0 is 5.0V ± 0.5V.

### Capacitance

| Symbol          | Parameter                             | Conditions             | Typ. | Units |
|-----------------|---------------------------------------|------------------------|------|-------|
| C <sub>IN</sub> | Input Capacitance                     | V <sub>CC</sub> = OPEN | 4.5  | pF    |
| C <sub>PD</sub> | Power Dissipation Capacitance for AC  | V <sub>CC</sub> = 5.0V | 30.0 | pF    |
|                 | Power Dissipation Capacitance for ACT |                        | 70.0 |       |

Physical Dimensions

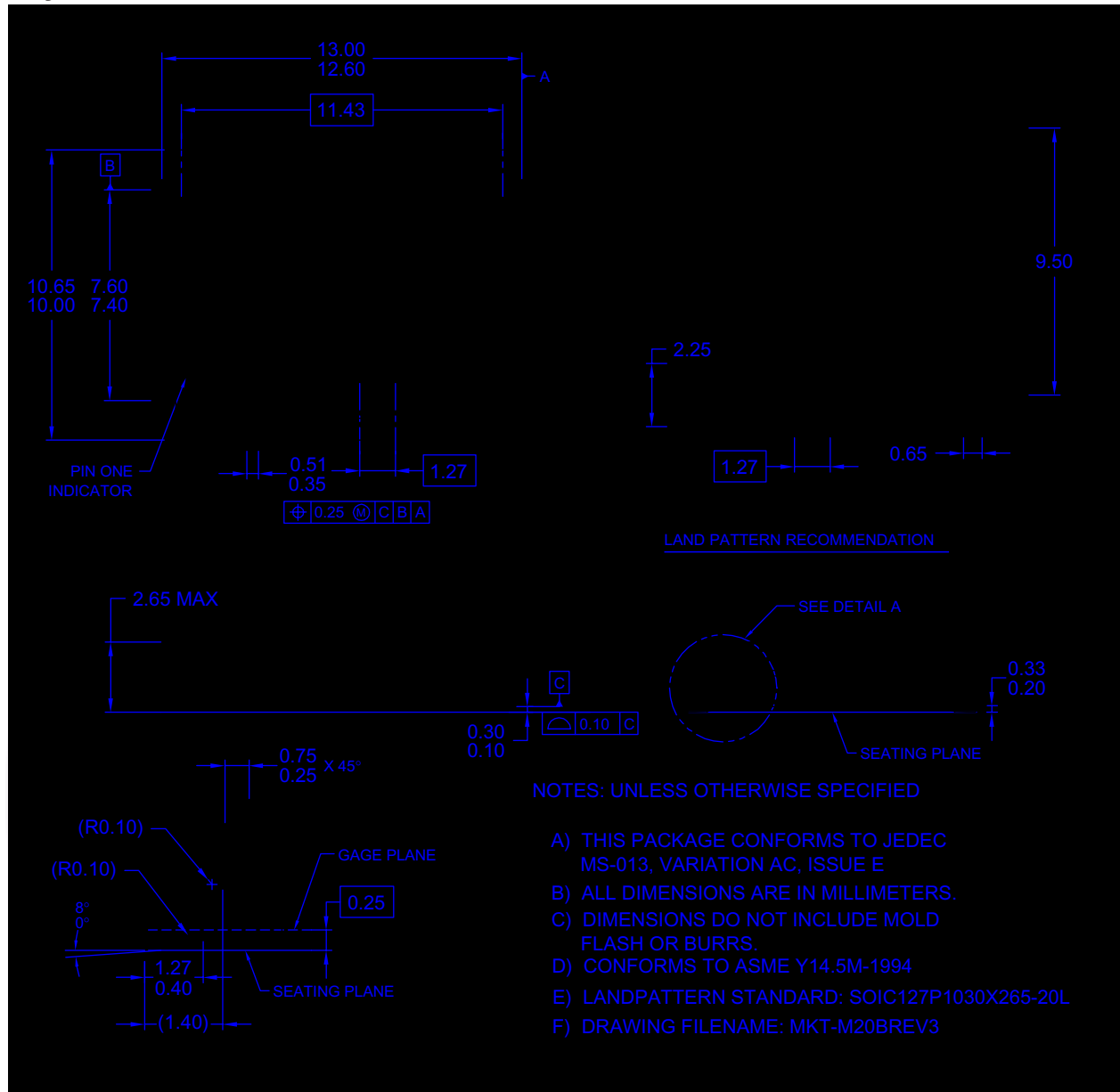


Figure 1. 20-Lead Small Outline Integrated Circuit (SOIC), JEDEC MS-013, 0.300" Wide

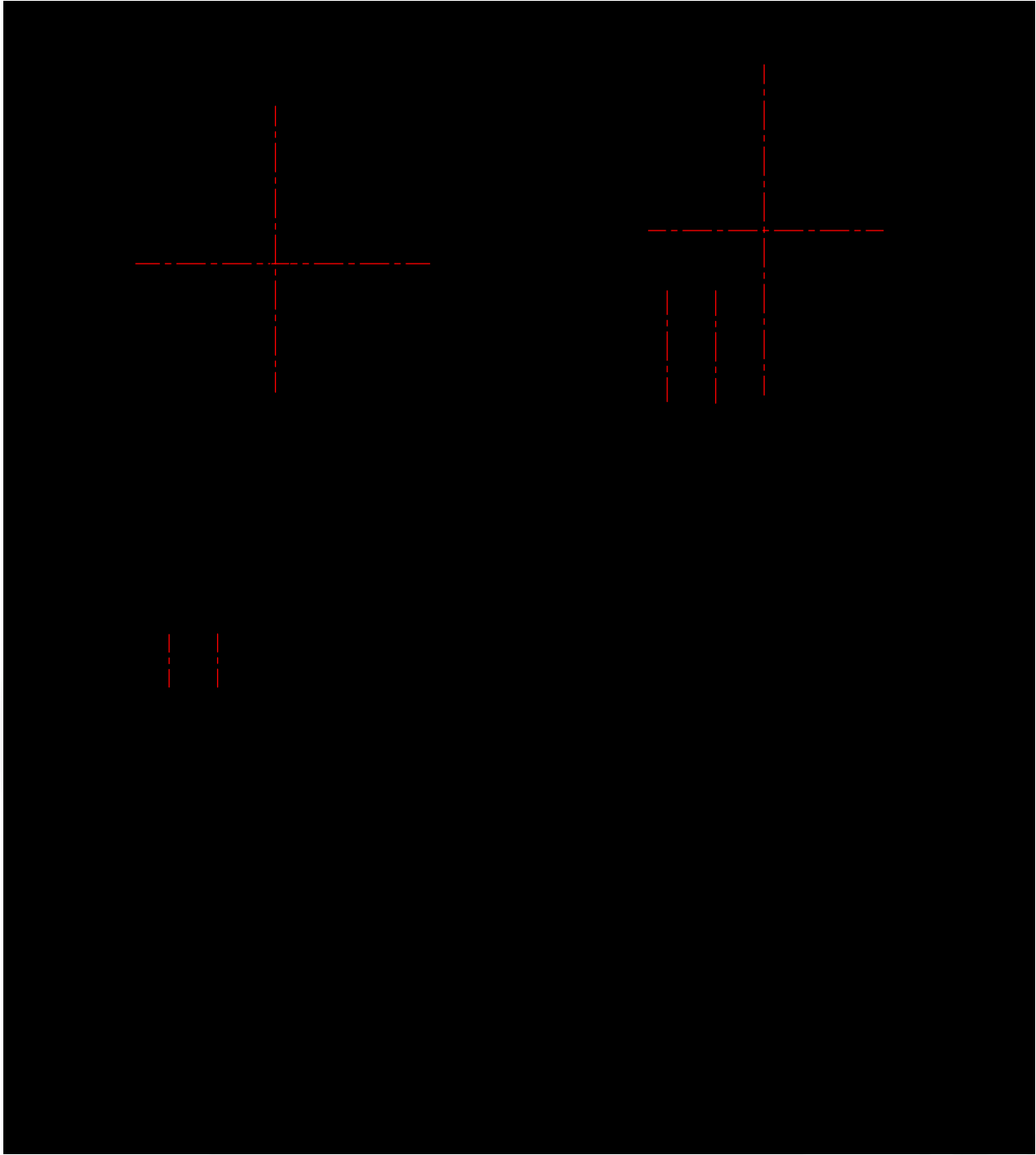
Package drawings are provided as a service to customers considering Fairchild components. Drawings may change in any manner without notice. Please note the revision and/or date on the drawing and contact a Fairchild Semiconductor representative to verify or obtain the most recent revision. Package specifications do not expand the terms of Fairchild's worldwide terms and conditions, specifically the warranty therein, which covers Fairchild products.

Always visit Fairchild Semiconductor's online packaging area for the most recent package drawings:

<http://www.fairchildsemi.com/packaging/>



**Physical Dimensions** (Continued)



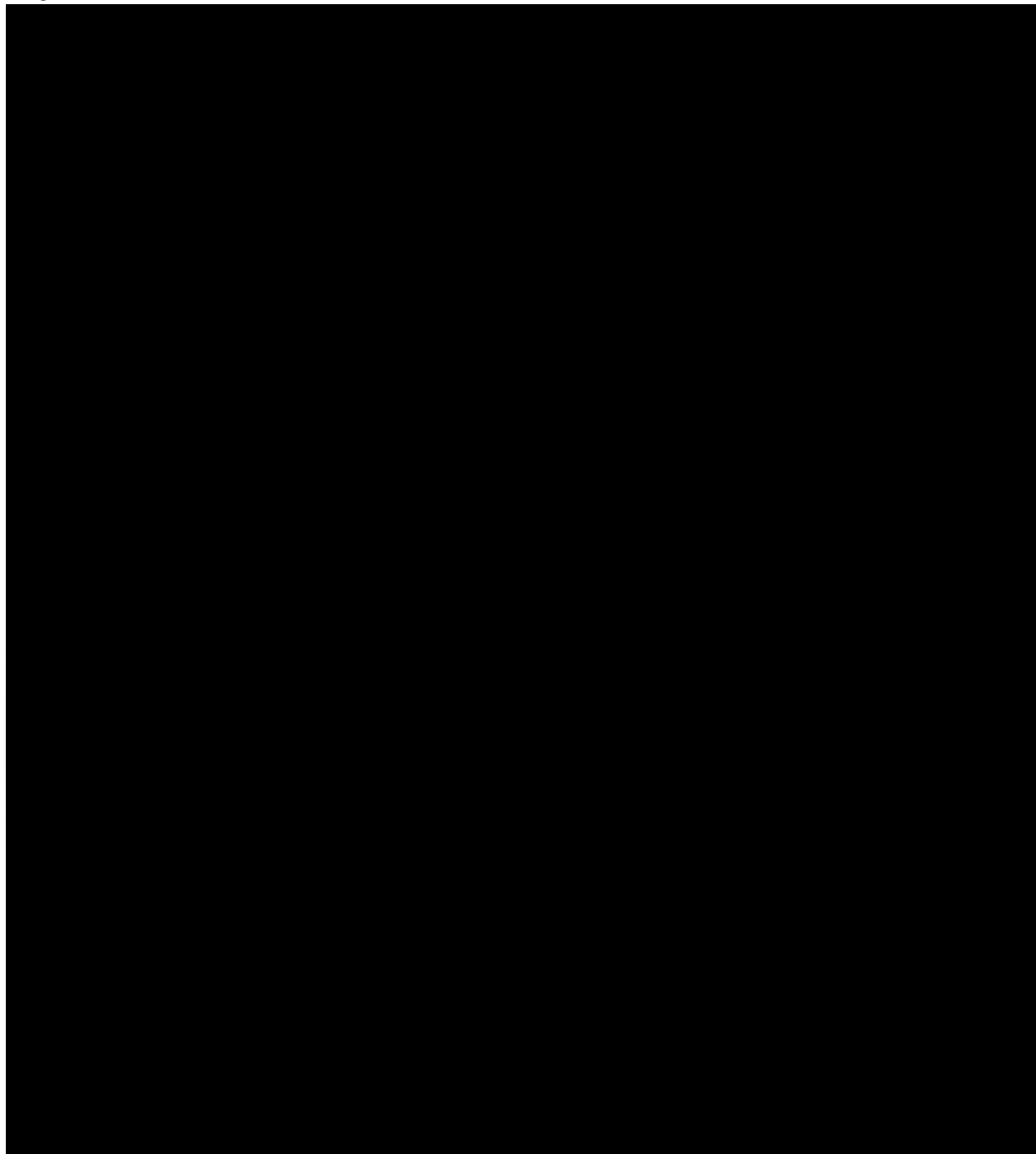
**Figure 2. 20-Lead Small Outline Package (SOP), EIAJ TYPE II, 5.3mm Wide**

*Package drawings are provided as a service to customers considering Fairchild components. Drawings may change in any manner without notice. Please note the revision and/or date on the drawing and contact a Fairchild Semiconductor representative to verify or obtain the most recent revision. Package specifications do not expand the terms of Fairchild's worldwide terms and conditions, specifically the warranty therein, which covers Fairchild products.*

Always visit Fairchild Semiconductor's online packaging area for the most recent package drawings:

<http://www.fairchildsemi.com/packaging/>

## Physical Dimensions (Continued)

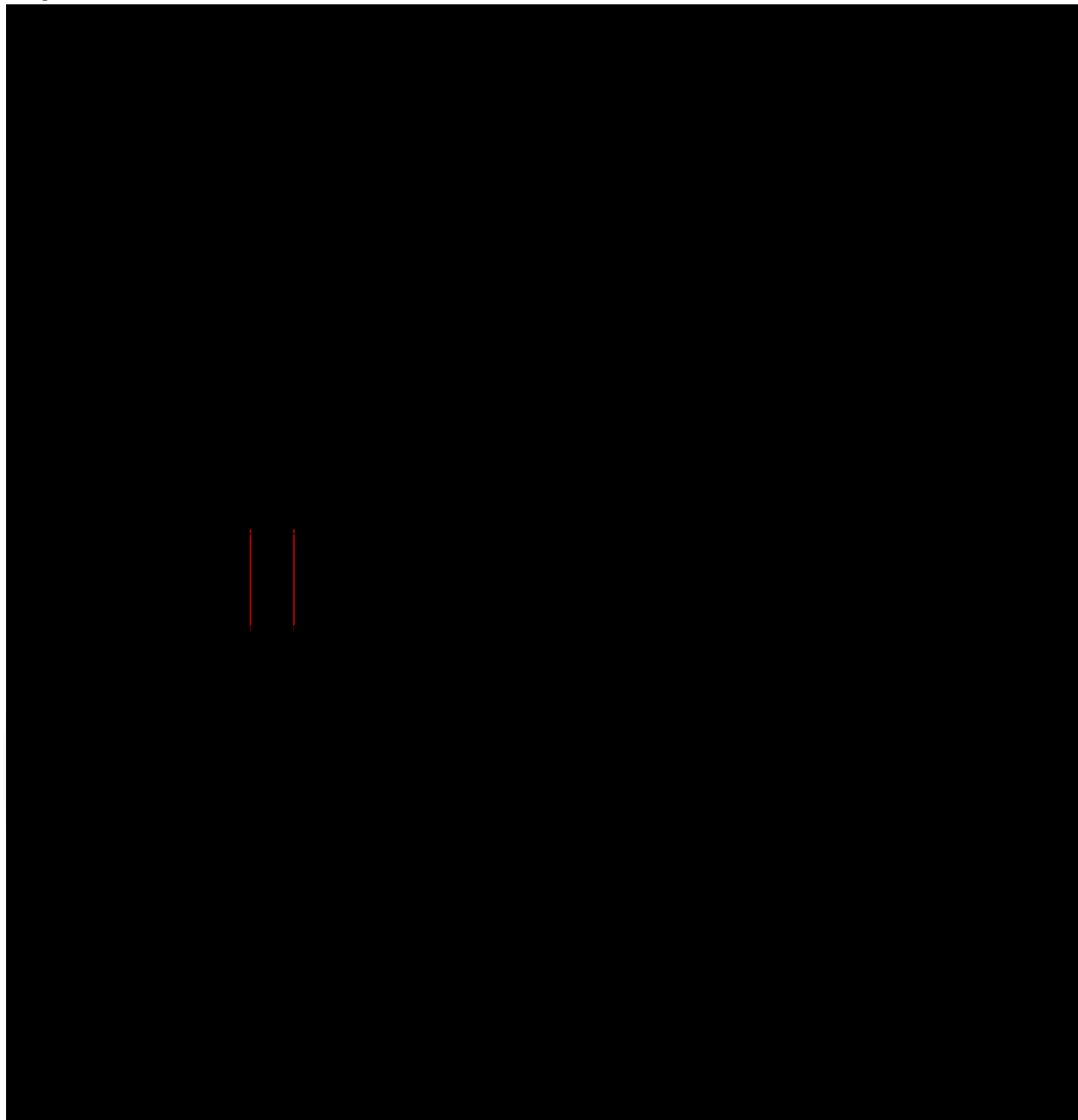


**Figure 3. 20-Lead Thin Shrink Small Outline Package (TSSOP), JEDEC MO-153, 4.4mm Wide**

*Package drawings are provided as a service to customers considering Fairchild components. Drawings may change in any manner without notice. Please note the revision and/or date on the drawing and contact a Fairchild Semiconductor representative to verify or obtain the most recent revision. Package specifications do not expand the terms of Fairchild's worldwide terms and conditions, specifically the warranty therein, which covers Fairchild products.*

*Always visit Fairchild Semiconductor's online packaging area for the most recent package drawings:*

<http://www.fairchildsemi.com/packaging/>

**Physical Dimensions** (Continued)**Figure 4. 20-Lead Plastic Dual-In-Line Package (PDIP), JEDEC MS-001, 0.300" Wide**



*Package drawings are provided as a service to customers considering Fairchild components. Drawings may change in any manner without notice. Please note the revision and/or date on the drawing and contact a Fairchild Semiconductor representative to verify or obtain the most recent revision. Package specifications do not expand the terms of Fairchild's worldwide terms and conditions, specifically the warranty therein, which covers Fairchild products.*

Always visit Fairchild Semiconductor's online packaging area for the most recent package drawings:

<http://www.fairchildsemi.com/packaging/>



subsidiaries, and is not intended to be an exhaustive list of all such trademarks.

- |   |  |  |                                  |
|---|--|--|----------------------------------|
| ACE <sup>®</sup>  | FPST <sup>™</sup>                            | PDP-SPM <sup>™</sup>                   | SyncFET <sup>™</sup>             |
| Build it Now <sup>™</sup>   | FRFET <sup>®</sup>                           | Power220 <sup>®</sup>                  | SYSTEM <sup>®</sup>              |
| CorePLUS <sup>™</sup>   | Global Power Resource <sup>SM</sup>          | Power247 <sup>®</sup>                  | GENERAL <sup>®</sup>             |
| CROSSVOLT <sup>™</sup>  | Green FPS <sup>™</sup>                       | POWEREDGE <sup>®</sup>                 | The Power Franchise <sup>®</sup> |
| CTL <sup>™</sup>  | Green FPS <sup>™</sup> e-Series <sup>™</sup> | Power-SPM <sup>™</sup>                 | the power <sup>®</sup>           |
| Current Transfer Logic <sup>™</sup>   | GTO <sup>™</sup>                             | PowerTrench <sup>®</sup>               | franchise                        |
| EcoSPARK <sup>®</sup>   | i-Lo <sup>™</sup>                            | Programmable Active Droop <sup>™</sup> | TinyBoost <sup>™</sup>           |
| EZSWITCH <sup>™</sup> *   | IntelliMAX <sup>™</sup>                      | QFET <sup>®</sup>                      | TinyBuck <sup>™</sup>            |
|  ™ | ISOPLANAR <sup>™</sup>                       | QS <sup>™</sup>                        | TinyLogic <sup>®</sup>           |
|  ™ | MegaBuck <sup>™</sup>                        | QT Optoelectronics <sup>™</sup>        | TINYOPTO <sup>™</sup>            |
| Fairchild <sup>®</sup>  | MICROCOUPLER <sup>™</sup>                    | Quiet Series <sup>™</sup>              | TinyPower <sup>™</sup>           |
| Fairchild Semiconductor <sup>®</sup>  | MicroFET <sup>™</sup>                        | RapidConfigure <sup>™</sup>            | TinyPWM <sup>™</sup>             |
| FACT Quiet Series <sup>™</sup>  | MicroPak <sup>™</sup>                        | SMART START <sup>™</sup>               | TinyWire <sup>™</sup>            |
| FACT <sup>®</sup>   | MillerDrive <sup>™</sup>                     | SPM <sup>®</sup>                       | SerDes <sup>™</sup>              |
| FAST <sup>®</sup>   | Motion-SPM <sup>™</sup>                      | STEALTH <sup>™</sup>                   | UHC <sup>®</sup>                 |
| FastvCore <sup>™</sup> *  | OPTOLOGIC <sup>®</sup>                       | SuperFET <sup>™</sup>                  | Ultra FRFET <sup>™</sup>         |
| FlashWriter <sup>®</sup> *  | OPTOPLANAR <sup>®</sup>                      | SuperSOT <sup>™</sup> -3               | UniFET <sup>™</sup>              |
|   |  | SuperSOT <sup>™</sup> -6               | VCX <sup>™</sup>                 |
|   |  | SuperSOT <sup>™</sup> -8               |                                  |

\* EZSWITCH<sup>™</sup> and FlashWriter<sup>®</sup> are trademarks of System General Corporation, used under license by Fairchild Semiconductor.

**DISCLAIMER**

FAIRCHILD SEMICONDUCTOR RESERVES THE RIGHT TO MAKE CHANGES WITHOUT FURTHER NOTICE TO ANY PRODUCTS HEREIN TO IMPROVE RELIABILITY, FUNCTION, OR DESIGN. FAIRCHILD DOES NOT ASSUME ANY LIABILITY ARISING OUT OF THE APPLICATION OR USE OF ANY PRODUCT OR CIRCUIT DESCRIBED HEREIN; NEITHER DOES IT CONVEY ANY LICENSE UNDER ITS PATENT RIGHTS, NOR THE RIGHTS OF OTHERS. THESE SPECIFICATIONS DO NOT EXPAND THE TERMS OF FAIRCHILD'S WORLDWIDE TERMS AND CONDITIONS, SPECIFICALLY THE WARRANTY THEREIN, WHICH COVERS THESE PRODUCTS.

**LIFE SUPPORT POLICY**

FAIRCHILD'S PRODUCTS ARE NOT AUTHORIZED FOR USE AS CRITICAL COMPONENTS IN LIFE SUPPORT DEVICES OR SYSTEMS WITHOUT THE EXPRESS WRITTEN APPROVAL OF FAIRCHILD SEMICONDUCTOR CORPORATION.

As used herein:

1. Life support devices or systems are devices or systems which, (a) are intended for surgical implant into the body or (b) support or sustain life, and (c) whose failure to perform when properly used in accordance with instructions for use provided in the labeling, can be reasonably expected to result in a significant injury of the user.
2. A critical component in any component of a life support, device, or system whose failure to perform can be reasonably expected to cause the failure of the life support device or system, or to affect its safety or effectiveness.

**PRODUCT STATUS DEFINITIONS**

**Definition of Terms**

| Datasheet Identification | Product Status         | Definition  |
|--------------------------|------------------------|---|
| Advance Information      | Formative or In Design | This datasheet contains the design specifications for product development. Specifications may change in any manner without notice.            |
| Preliminary              | First Production       | This datasheet contains preliminary data; supplementary data will be published at a later date. Fairchild Semiconductor reserves the right to |

ON Semiconductor and  are trademarks of Semiconductor Components Industries, LLC dba ON Semiconductor or its subsidiaries in the United States and/or other countries. ON Semiconductor owns the rights to a number of patents, trademarks, copyrights, trade secrets, and other intellectual property. A listing of ON Semiconductor's product/patent coverage may be accessed at [www.onsemi.com/site/pdf/Patent-Marking.pdf](http://www.onsemi.com/site/pdf/Patent-Marking.pdf). ON Semiconductor reserves the right to make changes without further notice to any products herein. ON Semiconductor makes no warranty, representation or guarantee regarding the suitability of its products for any particular purpose, nor does ON Semiconductor assume any liability arising out of the application or use of any product or circuit, and specifically disclaims any and all liability, including without limitation special, consequential or incidental damages. Buyer is responsible for its products and applications using ON Semiconductor products, including compliance with all laws, regulations and safety requirements or standards, regardless of any support or applications information provided by ON Semiconductor. "Typical" parameters which may be provided in ON Semiconductor data sheets and/or specifications can and do vary in different applications and actual performance may vary over time. All operating parameters, including "Typicals" must be validated for each customer application by customer's technical experts. ON Semiconductor does not convey any license under its patent rights nor the rights of others. ON Semiconductor products are not designed, intended, or authorized for use as a critical component in life support systems or any FDA Class 3 medical devices or medical devices with a same or similar classification in a foreign jurisdiction or any devices intended for implantation in the human body. Should Buyer purchase or use ON Semiconductor products for any such unintended or unauthorized application, Buyer shall indemnify and hold ON Semiconductor and its officers, employees, subsidiaries, affiliates, and distributors harmless against all claims, costs, damages, and expenses, and reasonable attorney fees arising out of, directly or indirectly, any claim of personal injury or death associated with such unintended or unauthorized use, even if such claim alleges that ON Semiconductor was negligent regarding the design or manufacture of the part. ON Semiconductor is an Equal Opportunity/Affirmative Action Employer. This literature is subject to all applicable copyright laws and is not for resale in any manner.

## PUBLICATION ORDERING INFORMATION

### LITERATURE FULFILLMENT:

Literature Distribution Center for ON Semiconductor  
19521 E. 32nd Pkwy, Aurora, Colorado 80011 USA  
**Phone:** 303-675-2175 or 800-344-3860 Toll Free USA/Canada  
**Fax:** 303-675-2176 or 800-344-3867 Toll Free USA/Canada  
**Email:** [orderlit@onsemi.com](mailto:orderlit@onsemi.com)

**N. American Technical Support:** 800-282-9855 Toll Free  
USA/Canada  
**Europe, Middle East and Africa Technical Support:**  
Phone: 421 33 790 2910  
**Japan Customer Focus Center**  
Phone: 81-3-5817-1050

**ON Semiconductor Website:** [www.onsemi.com](http://www.onsemi.com)  
**Order Literature:** <http://www.onsemi.com/orderlit>  
For additional information, please contact your local  
Sales Representative