

144684-1 ✓ ACTIVE

TE Internal #: 144684-1

6 Position, 2 Row, Signal, -85 – 221 °F [-65 – 105 °C]

[View on TE.com >](#)



Connectors > PCB Connectors > Wire-to-Board Connectors > Wire-to-Board Connector Assemblies & Housings



Number of Positions: 6

Number of Rows: 2

Contact Current Rating (Max): 3 A

Circuit Application: **Signal**

Operating Temperature Range: -65 – 105 °C [-85 – 221 °F]

Features

Configuration Features

Number of Positions	6
Number of Rows	2

Contact Features

Contact Current Rating (Max)	3 A
------------------------------	-----

Housing Features

Housing Material	PA 66
------------------	-------

Usage Conditions

Operating Temperature Range	-65 – 105 °C [-85 – 221 °F]
-----------------------------	-----------------------------

Operation/Application

Circuit Application	Signal
---------------------	--------

Industry Standards

UL Flammability Rating	UL 94V-0
------------------------	----------

Product Compliance

[For compliance documentation, visit the product page on TE.com>](#)

EU RoHS Directive 2011/65/EU	Compliant
EU ELV Directive 2000/53/EC	Compliant
China RoHS 2 Directive MIIT Order No 32, 2016	No Restricted Materials Above Threshold
EU REACH Regulation (EC) No. 1907/2006	Current ECHA Candidate List: JUNE 2023 (235) Candidate List Declared Against: JAN 2023 (233) Does not contain REACH SVHC
Halogen Content	Low Halogen - Br, Cl, F, I < 900 ppm per homogenous material. Also BFR/CFR/PVC Free
Solder Process Capability	Not applicable for solder process capability

Product Compliance Disclaimer

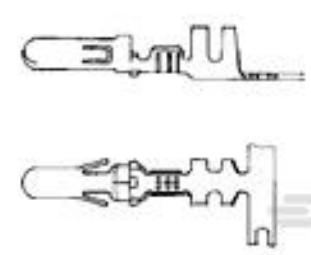
This information is provided based on reasonable inquiry of our suppliers and represents our current actual knowledge based on the information they provided. This information is subject to change. The part numbers that TE has identified as EU RoHS compliant have a maximum concentration of 0.1% by weight in homogenous materials for lead, hexavalent chromium, mercury, PBB, PBDE, DBP, BBP, DEHP, DIBP, and 0.01% for cadmium, or qualify for an exemption to these limits as defined in the Annexes of Directive 2011/65/EU (RoHS2). Finished electrical and electronic equipment products will be CE marked as required by Directive 2011/65/EU. Components may not be CE marked. Additionally, the part numbers that TE has identified as EU ELV compliant have a maximum concentration of 0.1% by weight in homogenous materials for lead, hexavalent chromium, and mercury, and 0.01% for cadmium, or qualify for an exemption to these limits as defined in the Annexes of Directive 2000/53/EC (ELV). Regarding the REACH Regulation, the information TE provides on SVHC in articles for this part number is based on the latest European Chemicals Agency (ECHA) 'Guidance on requirements for substances in articles' posted at this URL: <https://echa.europa.eu/guidance-documents/guidance-on-reach>

Compatible Parts

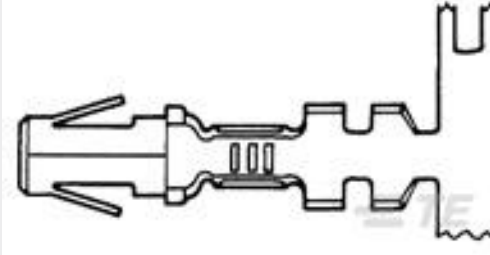


TE Part # 1-86177-8
06 MODIV HSG COMP DR .100CL

Customers Also Bought



TE Part #926988-1
MNL STIFT 3,5 MM



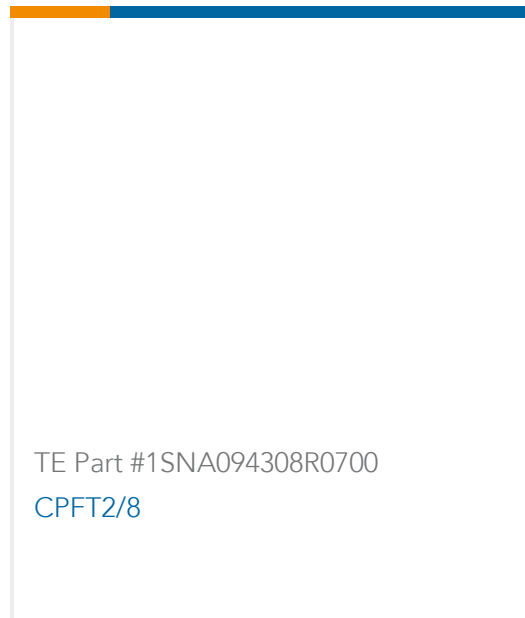
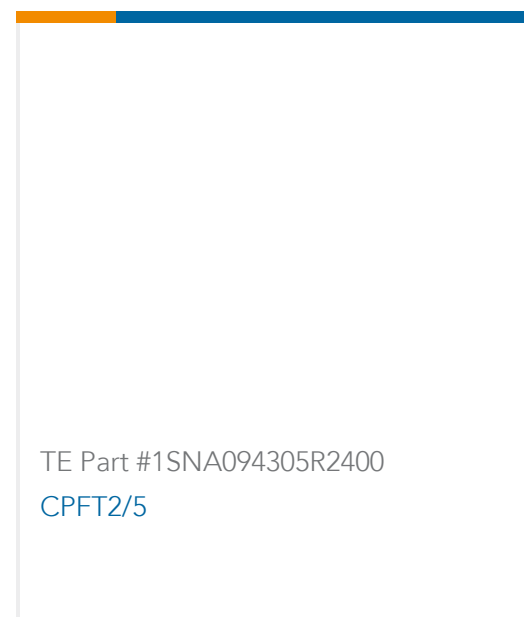
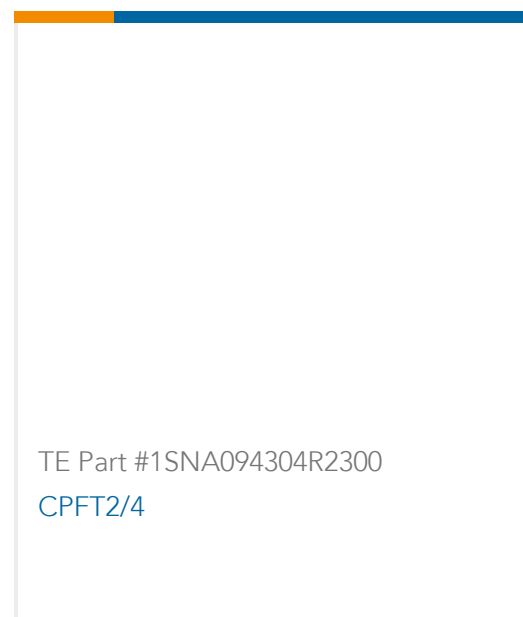
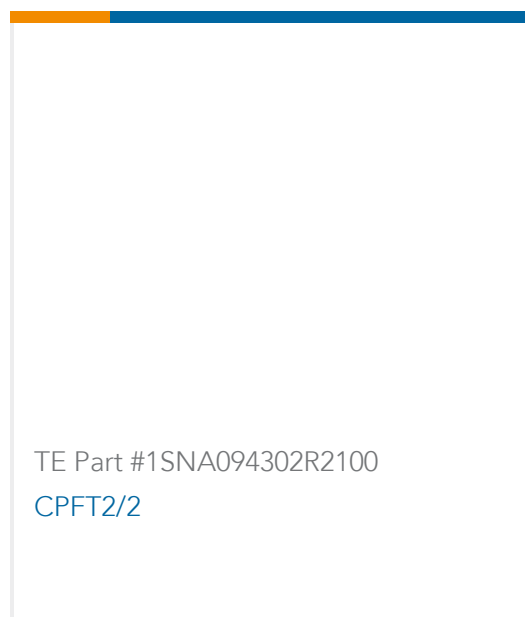
TE Part #61626-2
.140 DIA SOK 20-14 PTPPHBZ



TE Part #2871014001
GPO-135-25.4/12.7-0-SP



TE Part #1-1534415-3
DUOPL POW FEM CON3P



Documents

CAD Files

3D PDF

3D

Customer View Model

[ENG_CVM_CVM_144684-1_B.2d_dxf.zip](#)

English

Customer View Model

[ENG_CVM_CVM_144684-1_B.3d_igs.zip](#)

English

Customer View Model

[ENG_CVM_CVM_144684-1_B.3d_stp.zip](#)

English

By downloading the CAD file I accept and agree to the [Terms and Conditions](#) of use.

Product Specifications

Product Specification

English