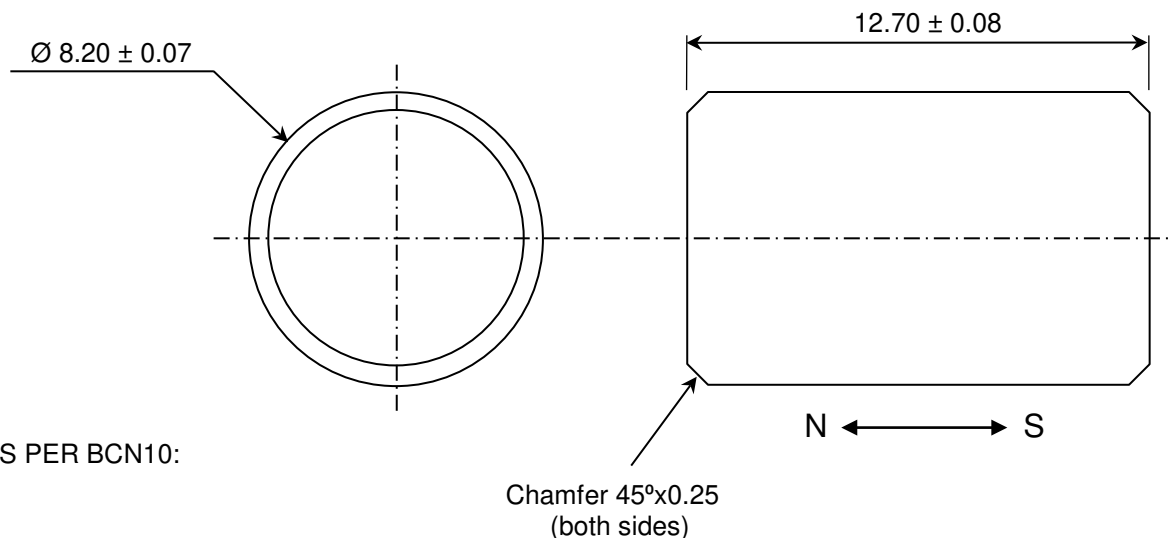


ALL DIMENSIONS ARE IN MM

CONFIDENTIAL & PROPRIETARY INFORMATION
 This document contains Confidential and Proprietary Information of Alliance LLC, and all design, manufacturing, reproduction, use, and sale rights of such information are expressly reserved



1. MAGNET PROPERTIES PER BCN10:

Br: 6,700-7,200 G
 Hc: 5,500-6,500 Oe
 Hci: $\geq 8,500$ Oe
 BH_(max): 9-11 MGOe
 T max: 120° C

2. NICKEL PLATED

3. MAGNETIZED THROUGH LENGTH
 (can be magnetized across diameter)



| Rev | Date | By |
|-----|------|----|
| | | |
| | | |
| | | |
| | | |

TOLERANCES
 (UNLESS OTHERWISE NOTED)

| | |
|--------------------|------------------|
| DECIMAL | METRIC |
| X.XX = $\pm .01$ | X.X = $\pm .25$ |
| X.XXX = $\pm .005$ | X.XX = $\pm .13$ |

ANGLES
 $\pm .5^\circ$

DO NOT SCALE DRAWING

| | | |
|---|------------|------------------------|
| Alliance LLC | | |
| 1450 CLARK DRIVE, VALPARAISO, INDIANA 46385 | | |
| DESCRIPTION: RARE EARTH ROD MAGNET | | |
| P/N: YB-078-1 | | SENSOR MAGNET |
| Mat'l: Bonded NdFeB | Dwg by: BT | REV LEVEL: A |
| COATING: Nickel | Apr by: DV | Apr. Dated: 03-14-2020 |