

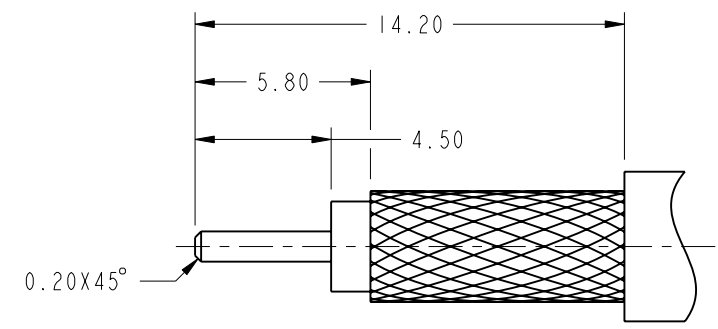
NOTES:

1. MATERIALS AND FINISHES:  
 BODY & COUPLING NUT: BRASS, NICKEL PLATING  
 CONTACT: BeCu, GOLD PLATING  
 BULLET CONTACT: BRASS, GOLD PLATING  
 INSULATORS: PTFE, NATURAL  
 GASKET: SILICONE RUBBER, RED  
 FERRULE: COPPER, NICKEL PLATING
2. ELECTRICAL:  
 A. IMPEDANCE: 50 OHM  
 B. FREQUENCY RANGE: DC - 6 GHz  
 C. VSWR(RETURN LOSS): 1.4 (15.563 dB), MAX.  
 D. DIELECTRIC WITHSTANDING VOLTAGE: 1000 VRMS, MIN.
3. MECHANICAL:  
 A. DURABILITY: 500 CYCLES MIN.  
 B. TEMPERATURE RANGE: -65° C TO +165° C
4. PACKAGING:  
 A. QUANTITY: SINGLE PACK  
 B. MARKING: BAG TO BE MARKED  
 "AMPHENOL RF, 31-6821, AND DATE CODE"
5. CABLE ASSEMBLY INSTRUCTIONS:  
 A. TRIM CABLE AS SHOWN.  
 B. SLIDE FERRULE AN INSULATOR DISC ONTO CABLE.  
 C. SOLDER CABLE CENTER CONDUCTOR TO BULLET CONTACT.  
 D. INSERT CABLE WITH FOIL ENTERING CONNECTOR AND BRAID OVER KNURL.  
 E. CRIMP FERRULE OVER BRAID WITH 0.213" HEX DIE.
6. RECOMMENDED COUPLING TORQUE : 4-6 IN-LBS.

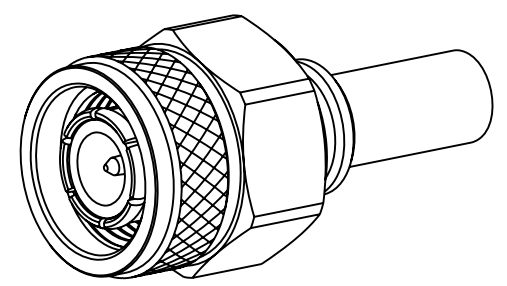
7. SHOWS CABLE ENTRY DIMENSIONS.

THIRD ANGLE PROJ.

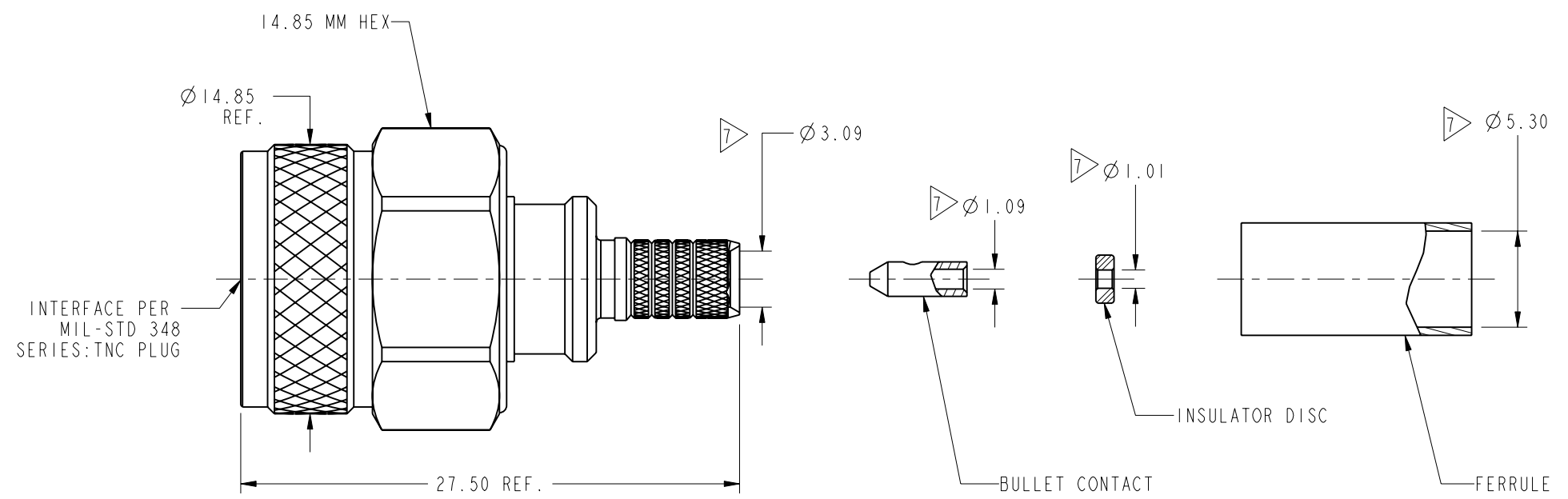
| REVISIONS |                 |           |       |      |
|-----------|-----------------|-----------|-------|------|
| REV       | DESCRIPTION     | DATE      | ECO   | APPR |
| A         | RELEASE TO MFG. | 21-May-18 | 08141 | KCE  |



**RECOMMENDED CABLE STRIPPING DIMENSIONS**



SCALE 2.000



**CUSTOMER OUTLINE DRAWING**

ALL OTHER SHEETS ARE FOR INTERNAL USE ONLY

|  |            |          |           |                |                  |  |                  |                     |
|--|------------|----------|-----------|----------------|------------------|--|------------------|---------------------|
| <p>UNLESS OTHERWISE SPECIFIED, DIMENSIONS ARE IN METRIC AND TOLERANCES ARE:<br/>         &lt;0.5mm ±0.05mm    0.5 - 6mm ±0.1mm    6 - 30mm ±0.2mm    30 - 120mm ±0.3mm    ANGLES ±1°</p> <p>NOTICE - These drawings, specifications, or other data (1) are, and remain the property of Amphenol corp. (2) must be returned upon request; and (3) are confidential and not to be disclosed to any person other than those to whom they are given by Amphenol Corp., the furnishing of these drawings, specifications, or other data by Amphenol Corp., or to any other person to anyone for any purpose is not to be regarded by implication or otherwise in any manner licensing, granting rights to permitting such holder or any other person to manufacture, use or sell any product, process or design, patented or otherwise, that may in any way be related to or disclosed by said drawings, specifications, or other data.</p> | MATERIAL   | DRAWN    | DATE      | TITLE          |                  | <p>Amphenol RF</p> <p>www.amphenolrf.com</p> |                  |                     |
|  | SEE NOTES  | W. ZENG  | 29-May-18 |                |                  |  |                  | ENGINEER            |
|  | REFERENCE  | APPROVED | DATE      | SCALE: 4.0:1.0 |                  | SHEET 2 OF 2                                 |                  | DRAWING NO. 31-6821 |
|  | EAR # 8049 | S. HSIEH | 29-May-18 | DWG SIZE       |                  | REV  | ITEM NO. 31-6821 |                     |
| CONFIGURATION LEVEL: In Work   | CAD FILE   | B        |           | A              | PART NO. 31-6821 |  |                  |                     |
| FINISH   |            |          |           |                |                  |  |                  |                     |