

10 9 8 7 6 5 4 3 2 1

F

E

D

C

B

A

F

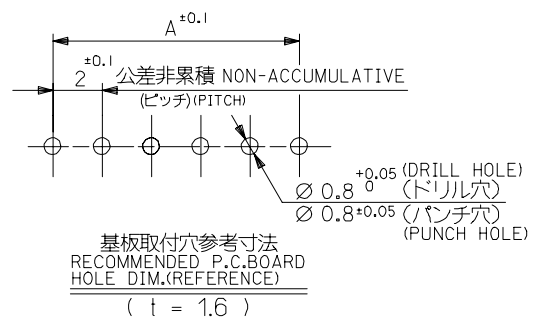
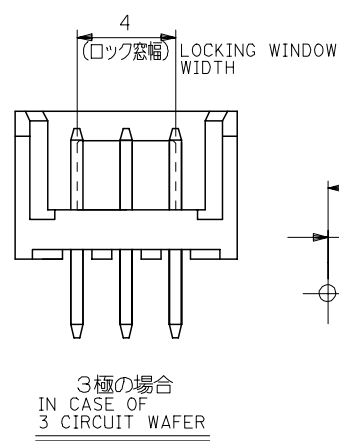
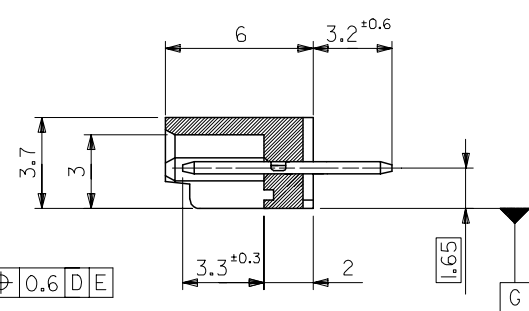
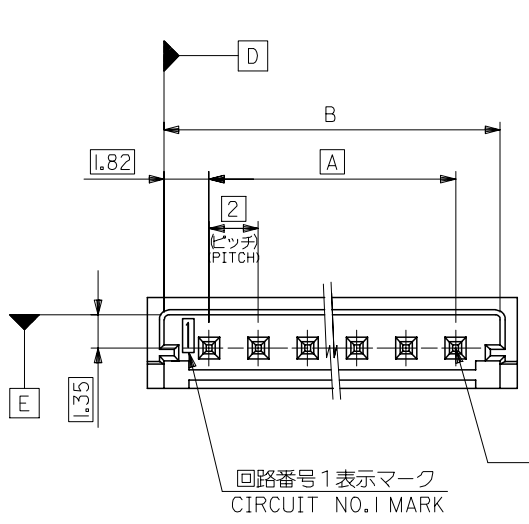
E

D

C

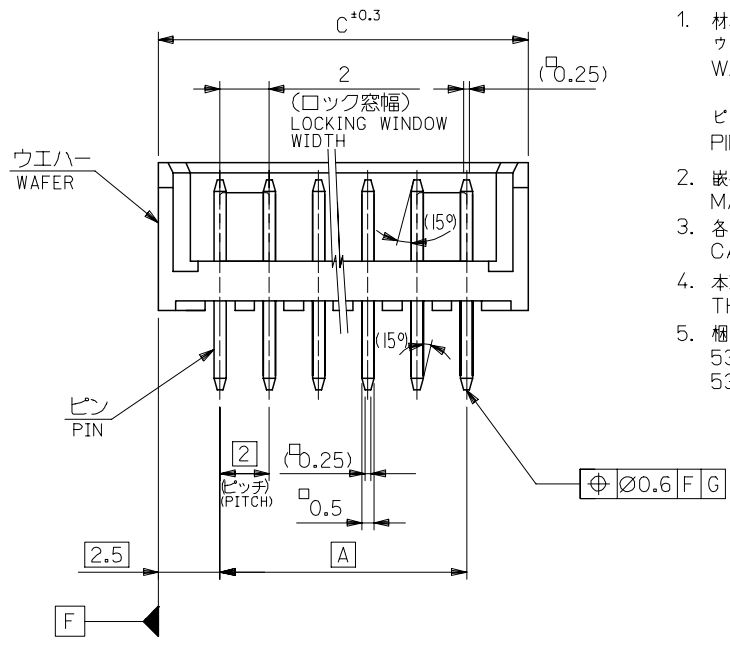
B

A



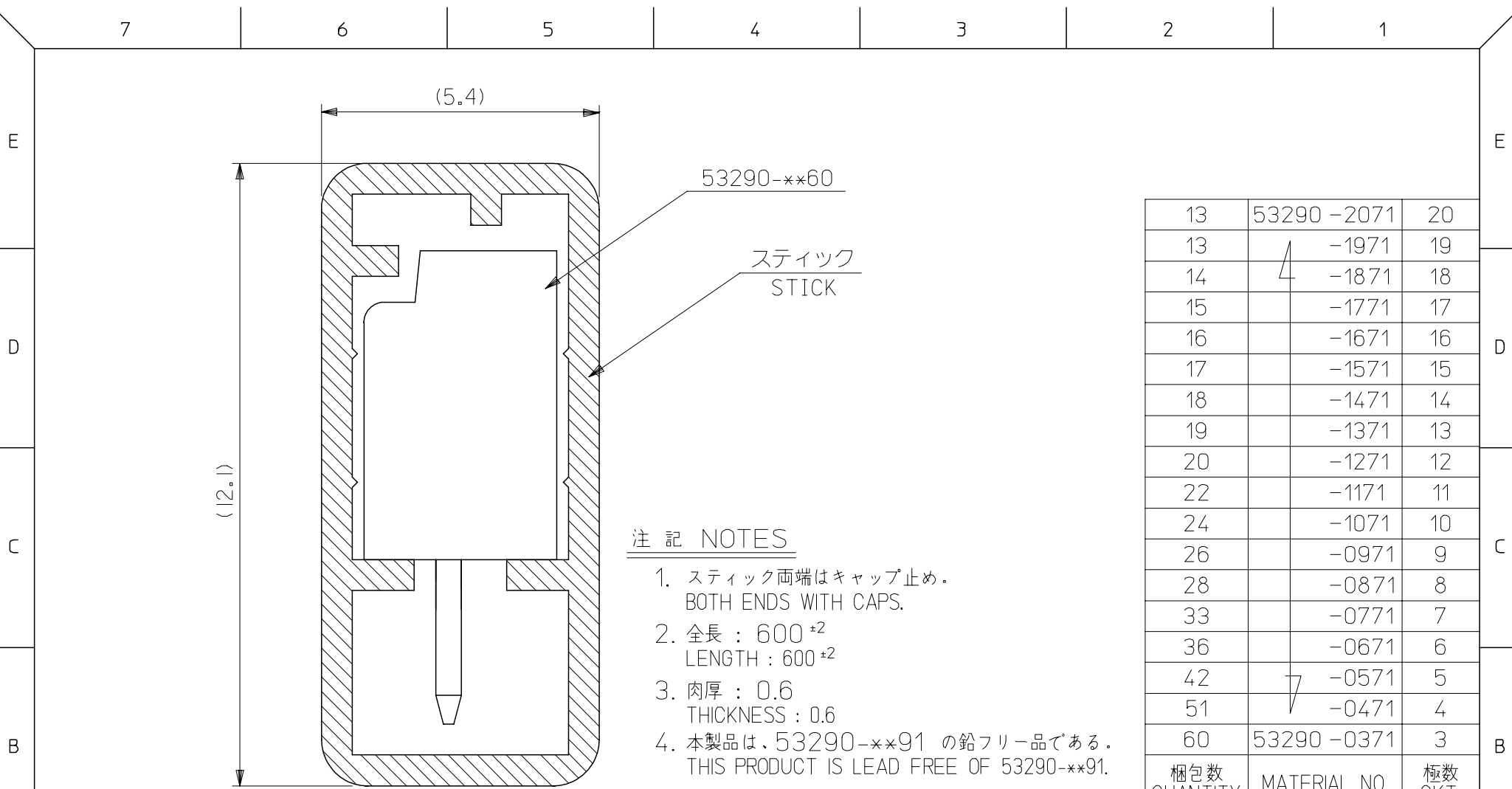
注記 NOTES

1. 材料 MATERIAL  
ウエハー: PBT (ガラス 15% 入り)  
WAFER G.F. 15%  
UL94V-0  
ピン: 黄銅, 錫メッキ  
PIN: BRASS, TIN
2. 嵌合相手: 52418 シリーズ  
MATE WITH: 52418 SERIES
3. 各部のソリは 0.2MAX.  
CAMBER: 0.2MAX.
4. 本製品は、53290-\*\*-20 の鉛フリー品である。  
THIS PRODUCT IS LEAD FREE OF 53290-\*\*-20.
5. 梱包仕様 PACKAGING  
53290-\*\*-60 トレー TRAY  
53290-\*\*-50 ポリ袋 POLYBAG



43	41.64	38	53290-2050	53290-2060	20
41	39.64	36	-1950	-1960	19
39	37.64	34	-1850	-1860	18
37	35.64	32	-1750	-1760	17
35	33.64	30	-1650	-1660	16
33	31.64	28	-1550	-1560	15
31	29.64	26	-1450	-1460	14
29	27.64	24	-1350	-1360	13
27	25.64	22	-1250	-1260	12
25	23.64	20	-1150	-1160	11
23	21.64	18	-1050	-1060	10
21	19.64	16	-0950	-0960	9
19	17.64	14	-0850	-0860	8
17	15.64	12	-0750	-0760	7
15	13.64	10	-0650	-0660	6
13	11.64	8	-0550	-0560	5
11	9.64	6	-0450	-0460	4
9	7.64	4	53290-0350	53290-0360	3
C	B	A	MATERIAL NO.	MATERIAL NO.	極数 CKT

REVISED EC No: J2005-2460 DRAWN: NAIDA CHKD: KTOJO APPR: NUKITA 2005/02/25 2005/02/28 2005/03/07	GENERAL TOLERANCES (UNLESS SPECIFIED)		DIMENSION STYLE MM ONLY		SCALE ---	DESIGN UNITS METRIC	THIRD ANGLE PROJECTION		
	10 UNDER ±0.2	10 OVER 30 UNDER ±0.25	30 OVER ±0.3	ANGULAR ±3 °	DRAFT WHERE APPLICABLE MUST REMAIN WITHIN DIMENSIONS	DRAWN BY J. SASAMO	DATE 2004/8/20	TITLE 2.0 BOARD TO BOARD CONN. WAFER ASS'Y -LEAD FREE-	MOLEX INCORPORATED
	SEE CHART		DOCUMENT NO. SD-53290-006	SHEET NO. 1 OF 1		THIS DRAWING CONTAINS INFORMATION THAT IS PROPRIETARY TO MOLEX INCORPORATED AND SHOULD NOT BE USED WITHOUT WRITTEN PERMISSION			
	SIZE A3								



注記 NOTES

1. スティック両端はキャップ止め。  
BOTH ENDS WITH CAPS.
2. 全長 : 600 ±2  
LENGTH : 600 ±2
3. 肉厚 : 0.6  
THICKNESS : 0.6
4. 本製品は、53290-\*\*91 の鉛フリー品である。  
THIS PRODUCT IS LEAD FREE OF 53290-\*\*91.

梱包数 QUANTITY	MATERIAL NO.	極数 CKT.
13	53290 -2071	20
13	-1971	19
14	-1871	18
15	-1771	17
16	-1671	16
17	-1571	15
18	-1471	14
19	-1371	13
20	-1271	12
22	-1171	11
24	-1071	10
26	-0971	9
28	-0871	8
33	-0771	7
36	-0671	6
42	-0571	5
51	-0471	4
60	53290 -0371	3

MATERIAL  
スティック : ポリ塩化ビニル  
STICK : PVC

REVISED EC NO: J2005-2021 DRAWN: JHOSOKAWA 2005/01/18 CHKD: KTOJO 2005/01/27 APPR: NUKITA 2005/01/27	GENERAL TOLERANCES (UNLESS SPECIFIED)		DIMENSION STYLE MM ONLY		SCALE ---	DESIGN UNITS METRIC	THIRD ANGLE PROJECTION
	10 UNDER	±---	DRAWN BY J.SASAMO	DATE 2004/8/20	TITLE STICK PACKAGING FOR 53290-**60 -LEAD FREE-		
	10 OVER 30 UNDER	±---	CHECKED BY K.TOJO	DATE 2004/8/20	MOLEX MOLEX INCORPORATED		
	30 OVER	±---	APPROVED BY N.UKITA	DATE 2004/8/20	DOCUMENT NO. SD-53290-007	SHEET NO. 1 OF 1	
	ANGULAR	±--- °	MATERIAL NO. 53290-**71		THIS DRAWING CONTAINS INFORMATION THAT IS PROPRIETARY TO MOLEX INCORPORATED AND SHOULD NOT BE USED WITHOUT WRITTEN PERMISSION		
DRAFT WHERE APPLICABLE MUST REMAIN WITHIN DIMENSIONS							