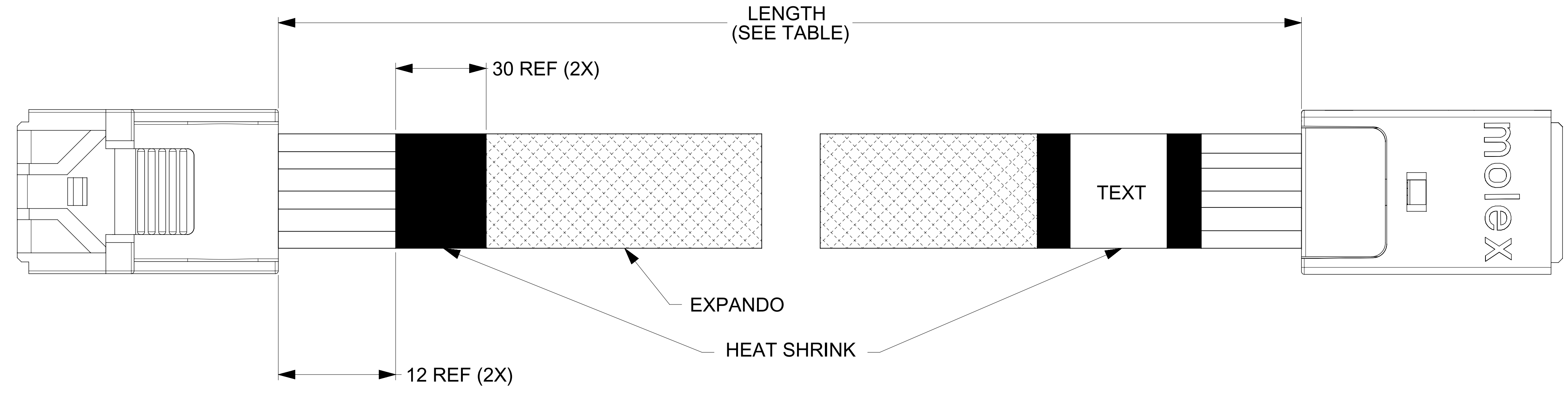
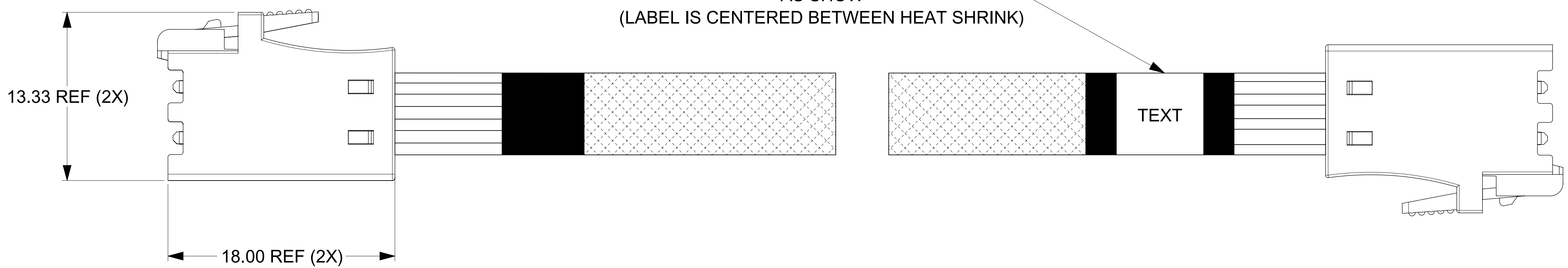


P1



P2

LABEL TEXT ORIENTATION  
AS SHOW  
(LABEL IS CENTERED BETWEEN HEAT SHRINK)



MOLEX P/N	AWG	LENGTH (mm)	TOLERANCE (+-mm)	DESCRIPTION	PINOUT
1001890100	30	152	10	CTRL TO BP	1
1001890101	30	300	10	CTRL TO BP	1
1001890102	30	500	10	CTRL TO BP	1
1001890103	30	600	10	CTRL TO BP	1
1001890104	30	1000	15	CTRL TO BP	1
1001890200	30	152	10	CTRL TO CTRL	2
1001890201	30	300	10	CTRL TO CTRL	2
1001890202	30	500	10	CTRL TO CTRL	2
1001890203	30	600	10	CTRL TO CTRL	2
1001890204	30	1000	15	CTRL TO CTRL	2
1001890152	30	152	10	PCIE	3
1001890150	30	300	10	PCIE	3
1001890151	30	500	10	PCIE	3
1001890153	30	600	10	PCIE	3
1001890154	30	1000	15	PCIE	3

- NOTES:
- MATERIAL:  
HOUSING - 30% GLASS FILLED NYLON, UL94-V0  
LATCH - MOLDED INTO HOUSING  
EXPANDO - PET  
CABLE - TWIN-AX SHIELD: ALUMNINIZED POLYESTER FOIL  
SIGNAL AND DRAIN: SOLID COPPER  
PCB - FR4 (HALOGEN FREE)
  - THIS PRODUCT CONFORMS TO THE MECHANICAL DIMENSIONING OF SFF-8643 AND ELECTRICAL PERFORMANCE REQUIREMENTS OF SAS 3.0
  - RoHS COMPLIANT. NO EXEMPTIONS

THIS DRAWING CONTAINS INFORMATION THAT IS PROPRIETARY TO MOLEX ELECTRONIC TECHNOLOGIES, LLC AND SHOULD NOT BE USED WITHOUT WRITTEN PERMISSION

EC NO: 167713 DRWN: RCHEN34 CHKD: RCHEN34 REV APPR: RCHEN34	2017/11/07	2017/11/07	GENERAL TOLERANCES (UNLESS SPECIFIED)	DIMENSION UNITS	SCALE	
			ANGULAR TOL ± 1.0 °	mm	5:1	
			4 PLACES ±	DRWN BY	DATE	
			3 PLACES ±	RCHEN34	2017/01/18	
		2 PLACES ± 0.13	CHKD BY	DATE	PRODUCT CUSTOMER DRAWING 4X INT. HD SHORT BODY STRAIGHT	
		1 PLACE ± 0.25	APPR BY	DATE		
		0 PLACES ±	RHSU01	2017/01/19		
		DRAFT WHERE APPLICABLE MUST REMAIN WITHIN DIMENSIONS	DRAWING SIZE	THIRD ANGLE PROJECTION		
			D		SERIES: 100189 MATERIAL NUMBER: SEE P/N TABLE CUSTOMER: GENERAL MARKET	
					DOCUMENT NUMBER: 1001890100 DOC TYPE: PSD DOC PART: 000 SHEET NUMBER: 1 OF 3	

PINOUT 1

C O N T R O L L E R	P1			P2	
	GND	D9	N/C	B9	GND
	TX2-	D8	—————>	B8	RX2-
	TX2+	D7	—————>	B7	RX2+
	GND	D6	—————	B6	GND
	TX0-	D5	—————>	B5	RX0-
	TX0+	D4	—————>	B4	RX0+
	GND	D3	—————	B3	GND
	SB6	D2	-----	D1	SB6
	SB5	D1	-----	D2	SB5
	SB4	C1	-----	C2	SB4
	SB2	C2	-----	C1	SB2
	GND	C3	—————	A3	GND
	TX1+	C4	—————>	A4	RX1+
	TX1-	C5	—————>	A5	RX1-
	GND	C6	—————	A6	GND
	TX3+	C7	—————>	A7	RX3+
	TX3-	C8	—————>	A8	RX3-
	GND	C9	N/C	A9	GND
	GND	B9	N/C	D9	GND
	RX2-	B8	←————	D8	TX2-
	RX2+	B7	←————	D7	TX2+
	GND	B6	—————	D6	GND
	RX0-	B5	←————	D5	TX0-
	RX0+	B4	←————	D4	TX0+
	GND	B3	—————	D3	GND
	SB1	B2	-----	B1	SB1
	SB3	B1	-----	B2	SB3
SB7	A1	-----	A2	SB7	
SB0	A2	-----	A1	SB0	
GND	A3	—————	C3	GND	
RX1+	A4	←————	C4	TX1+	
RX1-	A5	←————	C5	TX1-	
GND	A6	—————	C6	GND	
RX3+	A7	←————	C7	TX3+	
RX3-	A8	←————	C8	TX3-	
GND	A9	N/C	C9	GND	

PINOUT 2

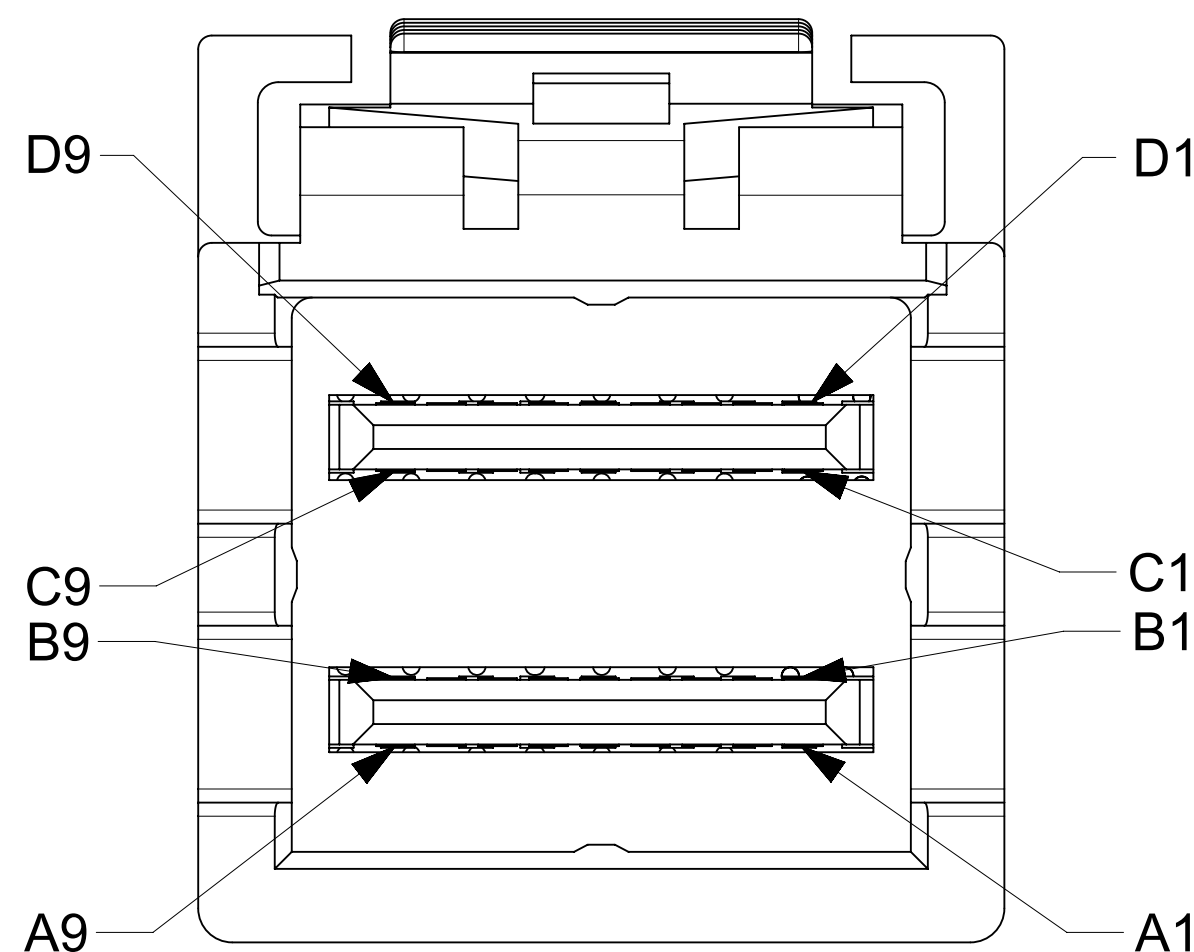
C O N T R O L L E R	P1			P2	
	GND	D9	N/C	B9	GND
	TX2-	D8	—————>	B8	RX2-
	TX2+	D7	—————>	B7	RX2+
	GND	D6	—————	B6	GND
	TX0-	D5	—————>	B5	RX0-
	TX0+	D4	—————>	B4	RX0+
	GND	D3	—————	B3	GND
	SB6	D2	-----	B2	SB1
	SB5	D1	-----	C2	SB2
	SB4	C1	-----	B1	SB3
	SB2	C2	-----	D1	SB5
	GND	C3	—————	A3	GND
	TX1+	C4	—————>	A4	RX1+
	TX1-	C5	—————>	A5	RX1-
	GND	C6	—————	A6	GND
	TX3+	C7	—————>	A7	RX3+
	TX3-	C8	—————>	A8	RX3-
	GND	C9	N/C	A9	GND
	GND	B9	N/C	D9	GND
	RX2-	B8	←————	D8	TX2-
	RX2+	B7	←————	D7	TX2+
	GND	B6	—————	D6	GND
	RX0-	B5	←————	D5	TX0-
	RX0+	B4	←————	D4	TX0+
	GND	B3	—————	D3	GND
	SB1	B2	-----	D2	SB6
	SB3	B1	-----	C1	SB4
SB7	A1	-----	A2	SB0	
SB0	A2	-----	A1	SB7	
GND	A3	—————	C3	GND	
RX1+	A4	←————	C4	TX1+	
RX1-	A5	←————	C5	TX1-	
GND	A6	—————	C6	GND	
RX3+	A7	←————	C7	TX3+	
RX3-	A8	←————	C8	TX3-	
GND	A9	N/C	C9	GND	

PINOUT 3

P C I E	P1			P2	
	GND	D9	N/C	B9	GND
	TX2-	D8	—————>	B8	RX2-
	TX2+	D7	—————>	B7	RX2+
	GND	D6	—————	B6	GND
	TX0-	D5	—————>	B5	RX0-
	TX0+	D4	—————>	B4	RX0+
	GND	D3	—————	B3	GND
	SB6	D2	-----	D1	SB6
	SB5	D1	-----	D2	SB5
	WAKE <sub>n</sub>	C1	-----	C2	CWAKE <sub>n</sub>
	RST <sub>n</sub>	C2	-----	C1	CPERST <sub>n</sub>
	GND	C3	—————	A6	GND
	TX1+	C4	—————>	A4	RX1+
	TX1-	C5	—————>	A5	RX1-
	GND	C6	—————	A9	GND
	TX3+	C7	—————>	A7	RX3+
	TX3-	C8	—————>	A8	RX3-
	GND	C9	N/C	C9	GND
	GND	B9	N/C	D9	GND
	RX2-	B8	←————	D8	TX2-
	RX2+	B7	←————	D7	TX2+
	GND	B6	—————	D6	GND
	RX0-	B5	←————	D5	TX0-
	RX0+	B4	←————	D4	TX0+
	GND	B3	—————	D3	GND
	SB1	B2	-----	B1	SB1
	SB3	B1	-----	B2	SB3
CLK+	A1	←————	A2	CLK+	
CLK-	A2	←————	A1	CLK-	
GND	A3	—————	A3	GND	
RX1+	A4	←————	C4	TX1+	
RX1-	A5	←————	C5	TX1-	
GND	A6	—————	C3	GND	
RX3+	A7	←————	C7	TX3+	
RX3-	A8	←————	C8	TX3-	
GND	A9	—————	C6	GND	

LEGEND:

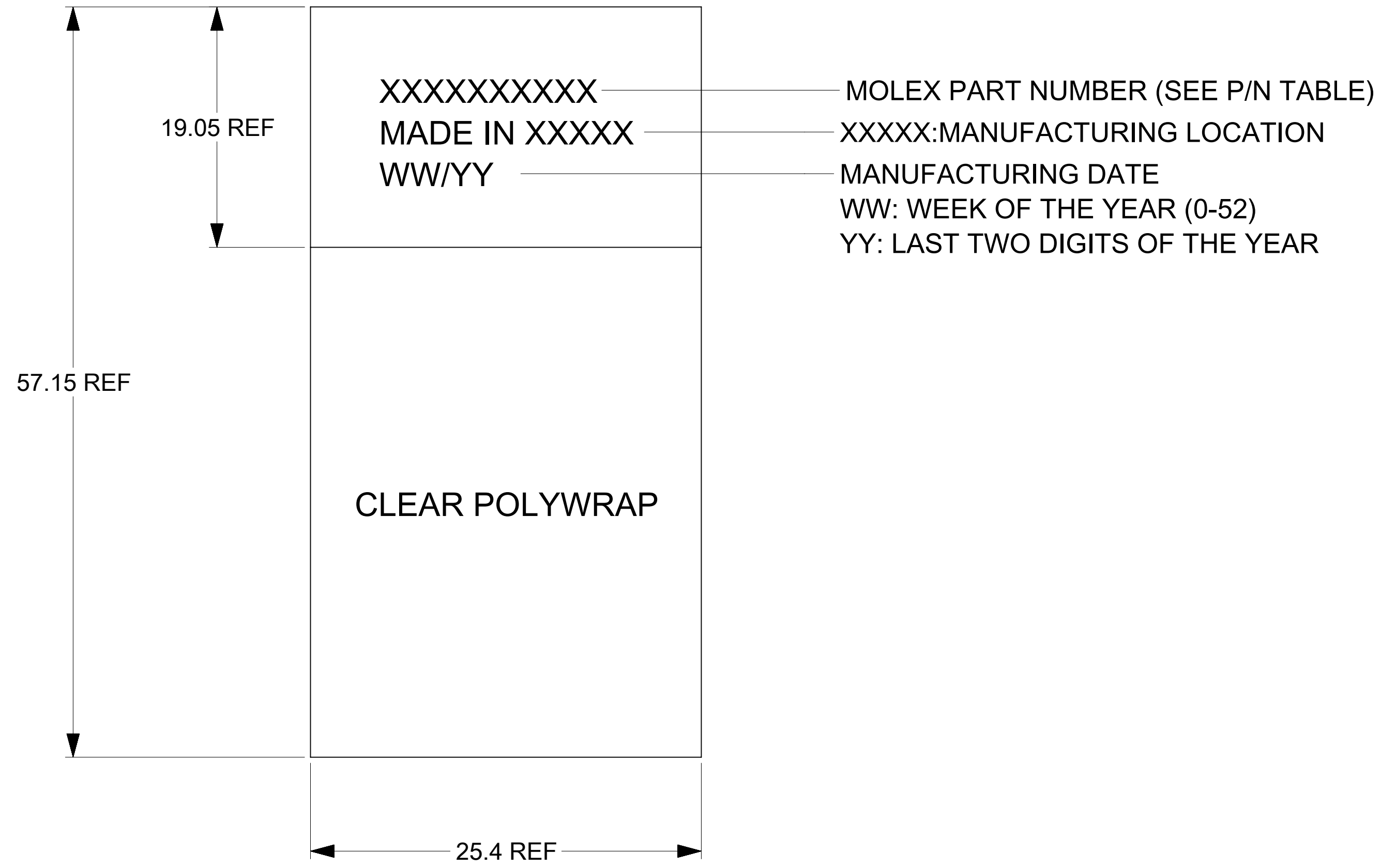
- = GROUND LINES
- = THRU LINES
- > = TRANSMIT TO RECEIVE ON HIGH SPEED CIRCUITS



THIS DRAWING CONTAINS INFORMATION THAT IS PROPRIETARY TO MOLEX ELECTRONIC TECHNOLOGIES, LLC AND SHOULD NOT BE USED WITHOUT WRITTEN PERMISSION

EC NO: 167713 DRWN: RCHEN34 CHKD: RCHEN34 REV: APPR: RCHEN34	2017/11/07	2017/11/07	GENERAL TOLERANCES (UNLESS SPECIFIED)	DIMENSION UNITS	SCALE	
			ANGULAR TOL ± 1.0 °	mm	20:1	
			4 PLACES ±	DRWN BY	DATE	4X INT. HD SHORT BODY STRAIGHT
			3 PLACES ±	RCHEN34	2017/01/18	
			2 PLACES ± 0.13	CHKD BY	DATE	PRODUCT CUSTOMER DRAWING
			1 PLACE ± 0.25			
			0 PLACES ±	APPR BY	DATE	SERIES: 100189    MATERIAL NUMBER: SEE P/N TABLE    CUSTOMER: GENERAL MARKET
			DRAFT WHERE APPLICABLE MUST REMAIN WITHIN DIMENSIONS	RHSU01	2017/01/19	
				DRAWING SIZE	THIRD ANGLE PROJECTION	DOCUMENT NUMBER: 1001890100    DOC TYPE: PSD    DOC PART: 000    SHEET NUMBER: 2 OF 3

**LABEL DETAIL**



THIS DRAWING CONTAINS INFORMATION THAT IS PROPRIETARY TO MOLEX ELECTRONIC TECHNOLOGIES, LLC AND SHOULD NOT BE USED WITHOUT WRITTEN PERMISSION

EC NO: 167713 DRWN: RCHEN34 CHKD: REV/ APPR: RHSU01	2017/11/07	2017/11/07	GENERAL TOLERANCES (UNLESS SPECIFIED)	DIMENSION UNITS	SCALE		
			ANGULAR TOL ± 1.0 °	mm	1:1		
			4 PLACES ±	DRWN BY	DATE		4X INT. HD SHORT BODY STRAIGHT
			3 PLACES ±	RCHEN34	2017/01/18		
			2 PLACES ± 0.13	CHKD BY	DATE		
			1 PLACE ± 0.25	APPR BY	DATE		PRODUCT CUSTOMER DRAWING
		0 PLACES ±	RHSU01	2017/01/19	SERIES: 100189 MATERIAL NUMBER: SEE P/N TABLE CUSTOMER: GENERAL MARKET		
			DRAFT WHERE APPLICABLE MUST REMAIN WITHIN DIMENSIONS	DRAWING SIZE	THIRD ANGLE PROJECTION	DOCUMENT NUMBER: 1001890100 DOC TYPE: PSD DOC PART: 000 SHEET NUMBER: 3 OF 3	