

10X8X2 PREMIUM SERIES



Features and Benefits

- Quality material – bases, opaque covers and clear covers are all made of high-impact, UV resistant polycarbonate.
- Flexible interior mounting – features the unique and patented Integra adjustable depth “T-Rail” back panel mounting system (back panel and adjustable brackets sold separately).
- Wide range of sizes, configurations and accessories provides capabilities for every application.
- Features multiple bosses for easy installation of devices and DIN rails.
- Standard color – light gray with a gloss finish.
- UL-50 / c-UL Listed (files # E229365, # E207562)



Mounting Feet



Mounting Flanges



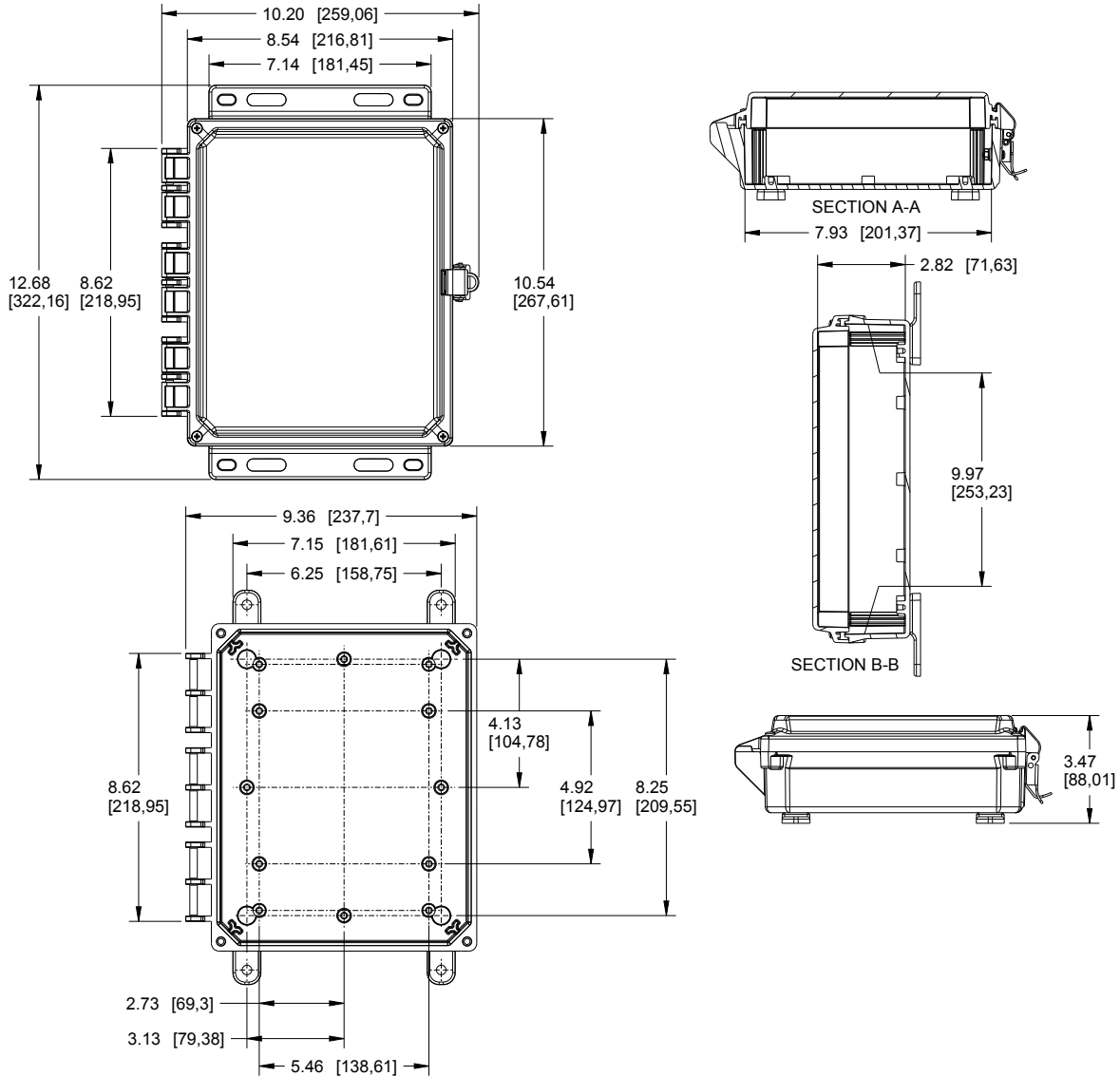
Mechanical and Thermal	Test Spec.	Unit	Premium Line
Instrumented Dart Impact @ 73° F		in-lbs.	565
Falling Ball Impact @ 73° F	UL-746	in-lbs.	900
Deflection Temperature @ 264 psi	ASTM D648	Deg. F	270
Modulus of Elasticity	ASTM D790	ksi	340
Temperature Range		Deg. F	-40 to 265
Flammable / UV Ratings	Test Spec.	Unit	Premium Line
Flame Rating - UL	UL 94	-	5VA
Outdoor UV Exposure	UL	-	F1

Part Number	4X IP66	6P IP68	Hinged Cover	Screw Cover	Opaque Cover	Clear Cover	Mounting Feet	Mounting Flange	Stainless Steel Locking Latch	Non-Metallic Locking Latch
H10082S	✓	✓		✓	✓		✓			
H10082SC	✓	✓		✓		✓	✓			
H10082SF	✓	✓		✓	✓			✓		
H10082SCF	✓	✓		✓		✓		✓		
H10082H	✓		✓	✓	✓		✓			
H10082HC	✓		✓	✓		✓	✓			
H10082HF	✓		✓	✓	✓			✓		
H10082HCF	✓		✓	✓		✓		✓		
H10082HLL*	✓		✓		✓		✓		✓	
H10082HCLL*	✓		✓			✓	✓		✓	
H10082HFLL	✓		✓		✓			✓	✓	
H10082HCFLL	✓		✓			✓		✓	✓	
H10082HNL	✓		✓		✓		✓			✓
H10082HCNL	✓		✓			✓	✓			✓
H10082HFNL	✓		✓		✓			✓		✓
H10082HCFNL	✓		✓			✓		✓		✓
H10082H-6P	✓	✓	✓	✓	✓		✓			
H10082HC-6P	✓	✓	✓	✓		✓	✓			
H10082HF-6P	✓	✓	✓	✓	✓			✓		
H10082HCF-6P	✓	✓	✓	✓		✓		✓		

*POPULAR CONFIGURATIONS: Most popular configurations are available for *QuickShip*. Please send requests to customerservice@integraenclosures.com to take advantage of our *QuickShip* option.




10X8X2 PREMIUM SERIES



[Bracketed measurements in mm] Register online to download this drawing at www.integraenclosures.com

Accessories for 10x8x2 (For complete accessories, see pages 75-79)

 <p>Back Panels ABP1082 - Aluminum panel SBP1082 - Steel panel PVCBP1082 - PVC panel</p>	 <p>Aluminum Swing Out Panels ABP-108-USOPK - Complete kit ABP-108USP - Aluminum swing out panels only USOPK - Hardware only</p>	 <p>Back Panel Adjustment Kit BPAKG - Gray, Set Screw BPAKB - Black, Set Screw UBPAKG - Gray, Thumb Screw UBPAKB - Black Thumb Screw</p>
 <p>Air Vents VENT 3 - Aluminum louvered VENT 2 - Outdoor labyrinth</p>	 <p>Steel Swing Out Panels SBP-108-USOPK - Complete kit SBP-108USP - Steel swing out panels only USOPK - Hardware only</p>	 <p>Cord Grips IP68/NEMA 4X/6P rated See page 72 for more details and part numbers.</p>
 <p>Din Rail DIN 8 - 2 rails, 4 screws</p>	 <p>Pole Mounting Kit PMKG-28 - 2" pole PMKG-38 - 3" pole PMKG-48 - 4" pole PMKG-128 - 12" pole</p>	 <p>Mounting Feet & Flange Kits MFKG - Premium line feet MFKSS - Stainless steel feet MFLK8 - 8" Flange kit</p>